



US00D349664S

# United States Patent [19]

[11] Patent Number: **Des. 349,664**

Ueno

[45] Date of Patent: **\*\* Aug. 16, 1994**

[54] **BUCKLE**

[75] Inventor: **Eiji Ueno**, Yokohama, Japan

[73] Assignee: **Nifco Inc.**, Yokohama, Japan

[\*\*] Term: **14 Years**

[21] Appl. No.: **2,944**

[22] Filed: **Dec. 23, 1992**

[30] **Foreign Application Priority Data**

Jun. 24, 1992 [JP] Japan ..... 4-18488

[52] U.S. Cl. .... **D11/216; D11/218**

[58] Field of Search ..... 24/633 A, 631, 616,  
24/200, 196, 163 R; 294/467; D11/200, 216,  
218, 212

[56] **References Cited**

**U.S. PATENT DOCUMENTS**

D. 264,766	6/1982	Huff	.....	D11/216
D. 303,233	9/1989	Jang	.....	D11/216
D. 329,210	9/1992	Cullmann	.....	D11/216
D. 340,886	11/1993	Anscher	.....	D11/200
D. 341,105	11/1993	Lovato	.....	D11/218

*Primary Examiner*—A. Hugo Word

*Assistant Examiner*—R. Seifert

*Attorney, Agent, or Firm*—Oblon, Spivak, McClelland,  
Maier & Neustadt

[57] **CLAIM**

The ornamental design for a buckle, as shown and described.

**DESCRIPTION**

FIG. 1 is a perspective view of a buckle comprising a male member, a female member and a retainer for the female member, showing my new design;

FIG. 2 is a top plan view thereof;

FIG. 3 is a front elevational view thereof;

FIG. 4 is a sectional view thereof, taken along line IV—IV in FIG. 2;

FIG. 5 is a sectional view thereof, taken along line V—V in FIG. 3;

FIG. 6 is a right side elevational view thereof;

FIG. 7 is a top plan view of a combination of the female member and the retainer thereof;

FIG. 8 is a front elevational view of the combination thereof;

FIG. 9 is a sectional view of the combination thereof, taken along line IX—IX in FIG. 7;

FIG. 10 is a sectional view of the combination thereof, taken along line X—X in FIG. 8;

FIG. 11 is a left side elevational view of the combination thereof;

FIG. 12 is a right side elevational view of the combination thereof;

FIG. 13 is a perspective view of the female member thereof;

FIG. 14 is a top plan view of the female member thereof;

FIG. 15 is a front elevational view of the female member thereof;

FIG. 16 is a sectional view of the female member thereof, taken along line XVI—XVI in FIG. 14;

FIG. 17 is a sectional view of the female member thereof, taken along line XVII—XVII in FIG. 15;

FIG. 18 is a right side elevational view of the female member thereof;

FIG. 19 is a left side elevational view of the female member thereof;

FIG. 20 is a perspective view of the male member thereof;

FIG. 21 is a top plan view of the male member thereof;

FIG. 22 is a front elevational view of the male member thereof;

FIG. 23 is a sectional view of the male member thereof, taken along line XXIII—XXIII in FIG. 21;

FIG. 24 is a sectional view of the male member thereof, taken along line XXIV—XXIV in FIG. 22;

FIG. 25 is a left side elevational view of the male member thereof; and,

FIG. 26 is a right side elevational view of the male member thereof.

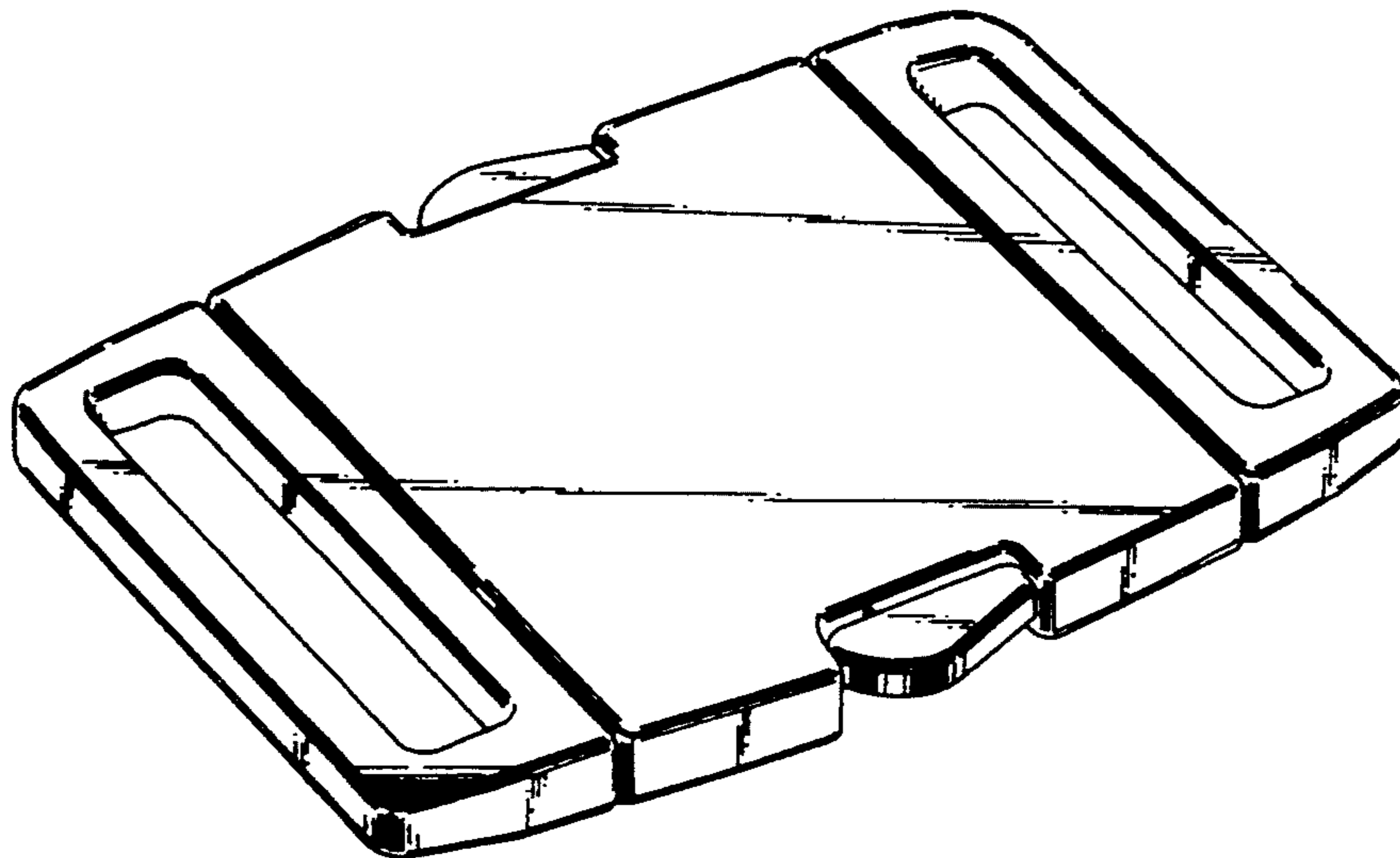


FIG. 1

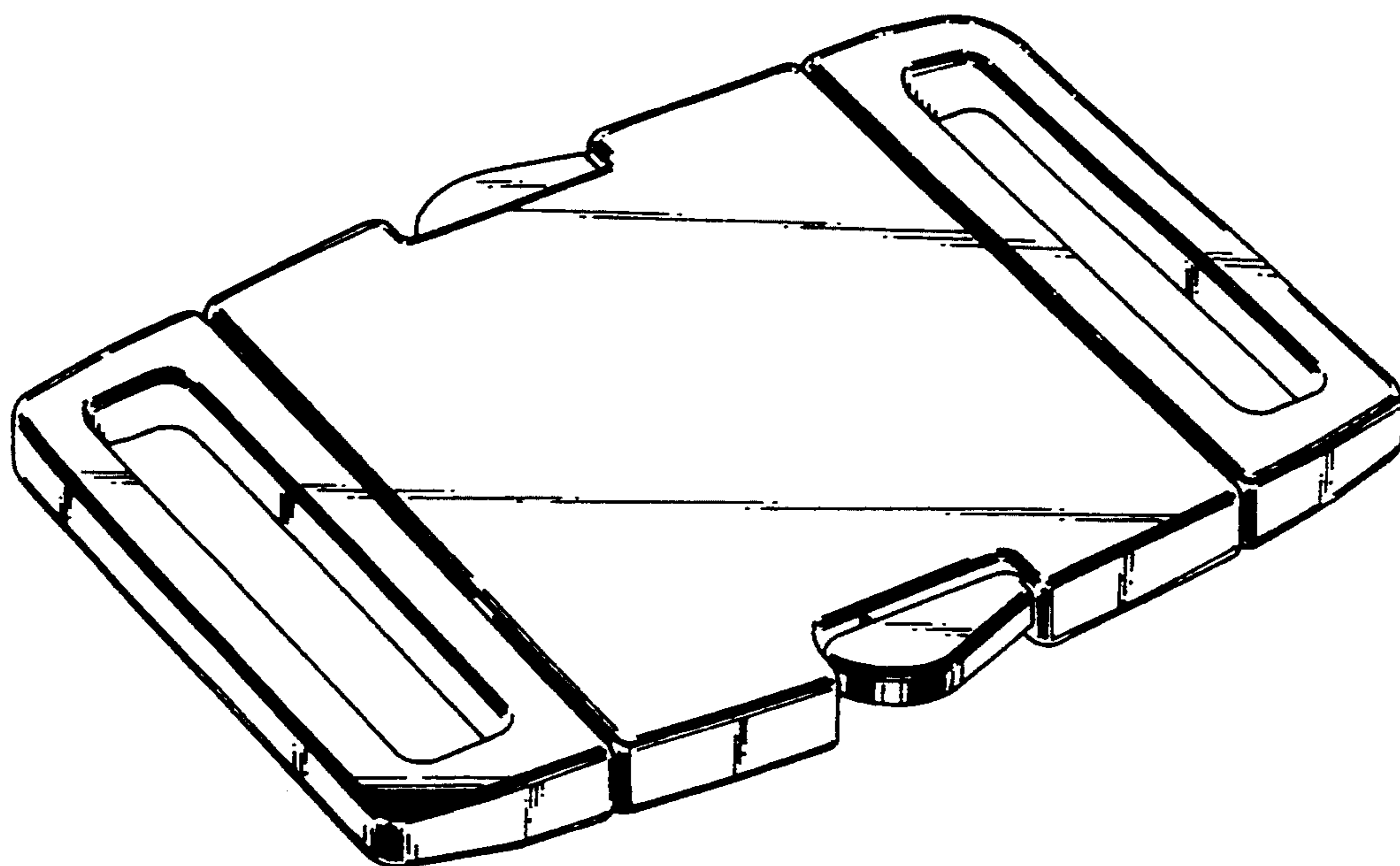


FIG. 2

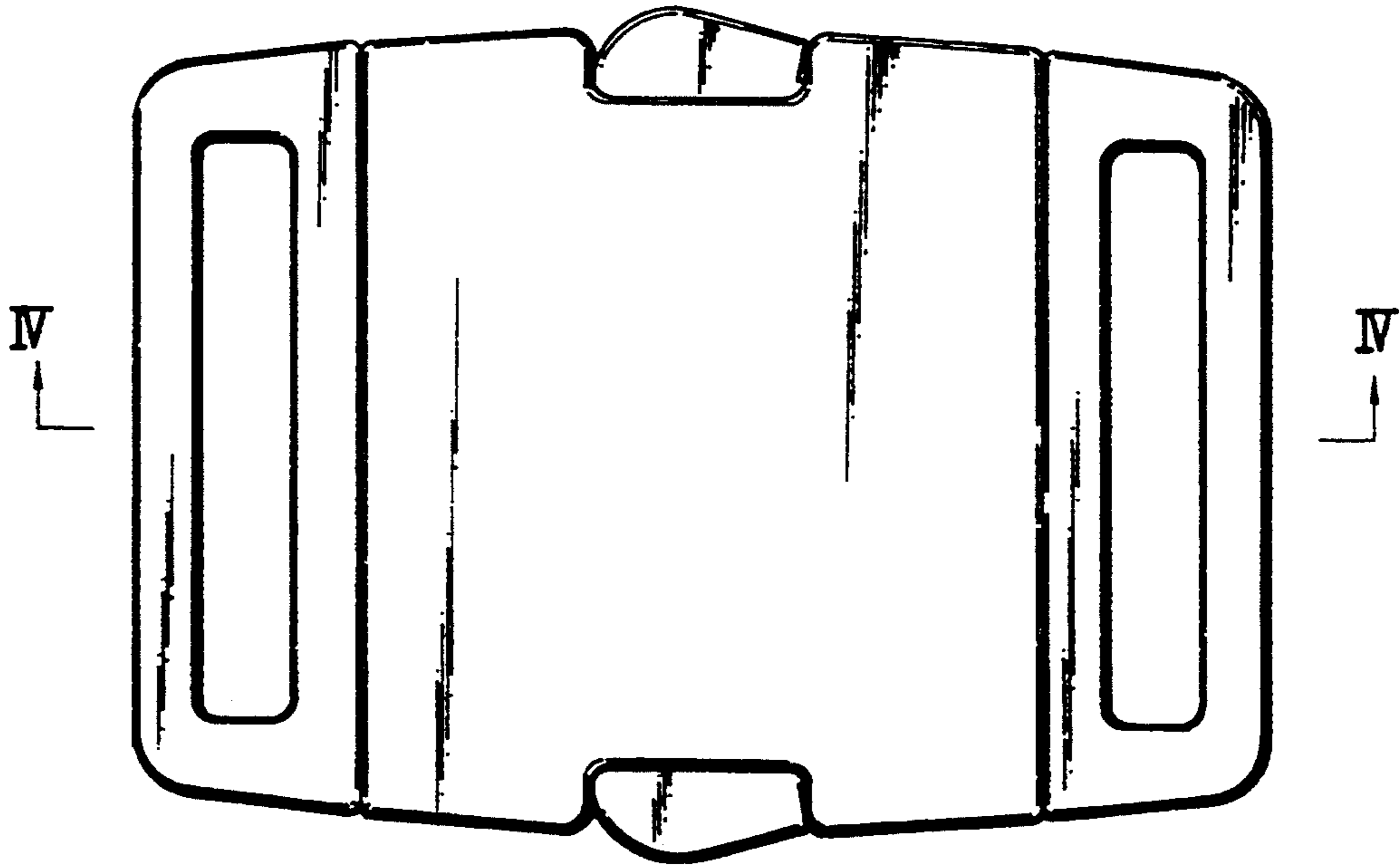


FIG. 3

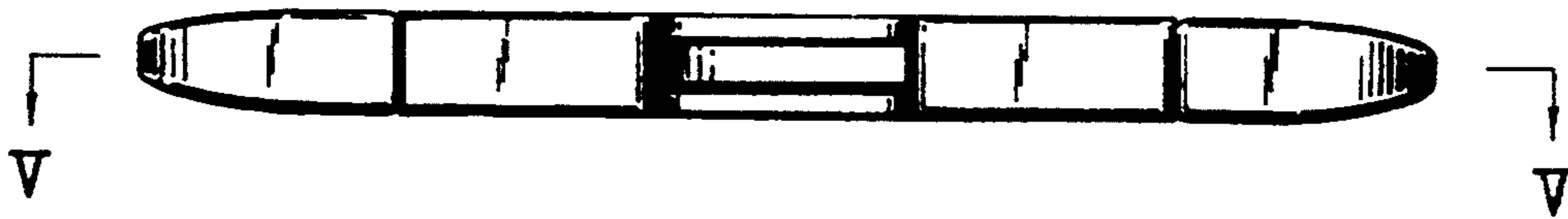


FIG. 4



FIG. 5

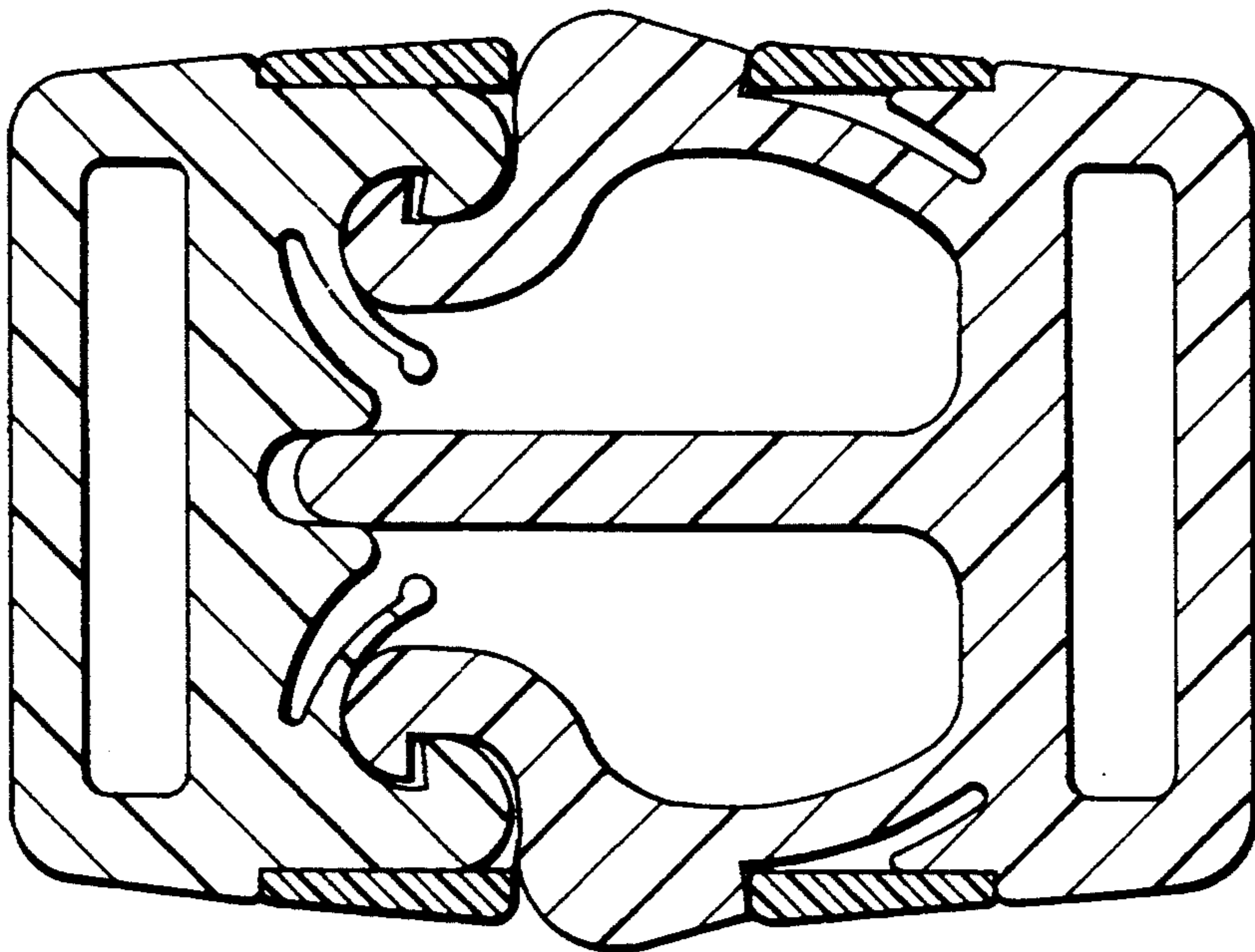


FIG. 6

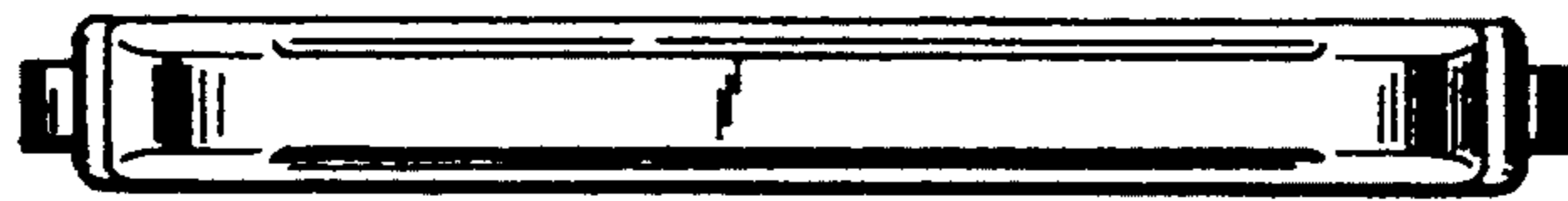


FIG. 7

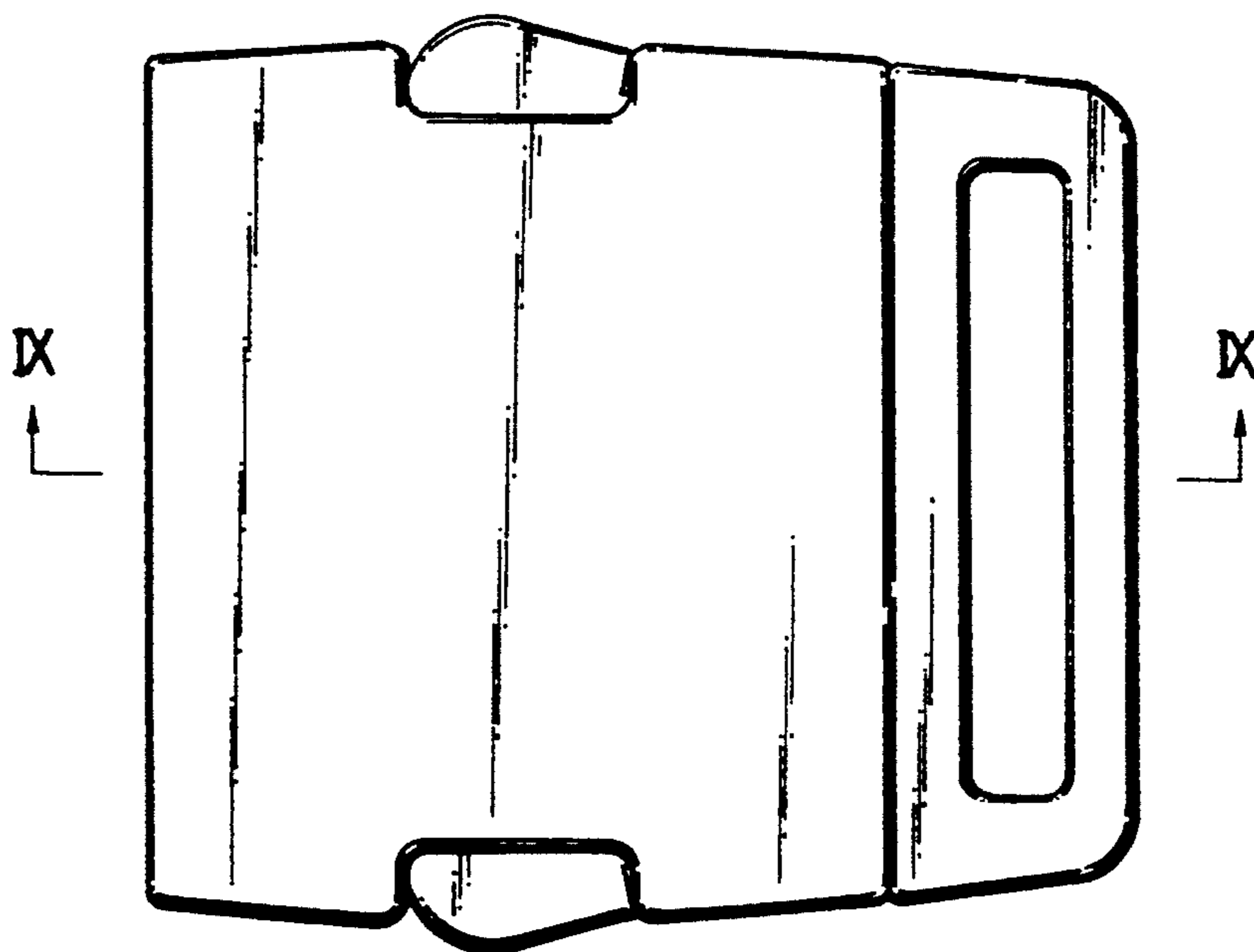


FIG. 8

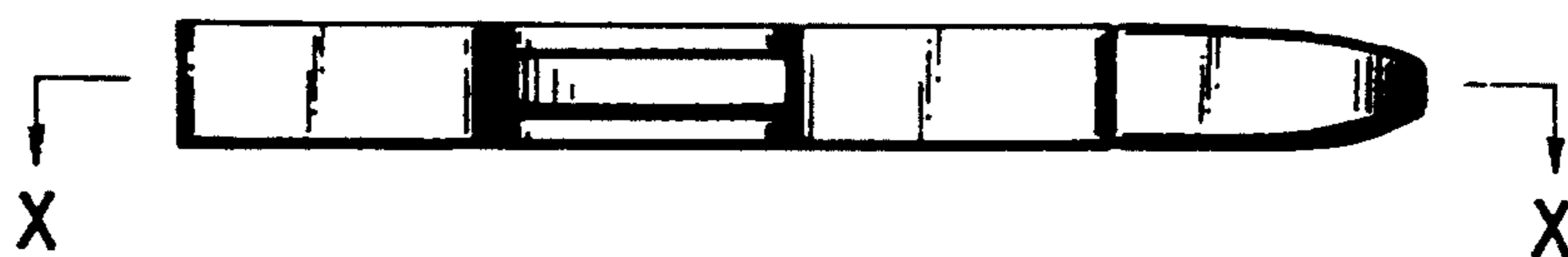


FIG. 9



FIG. 10

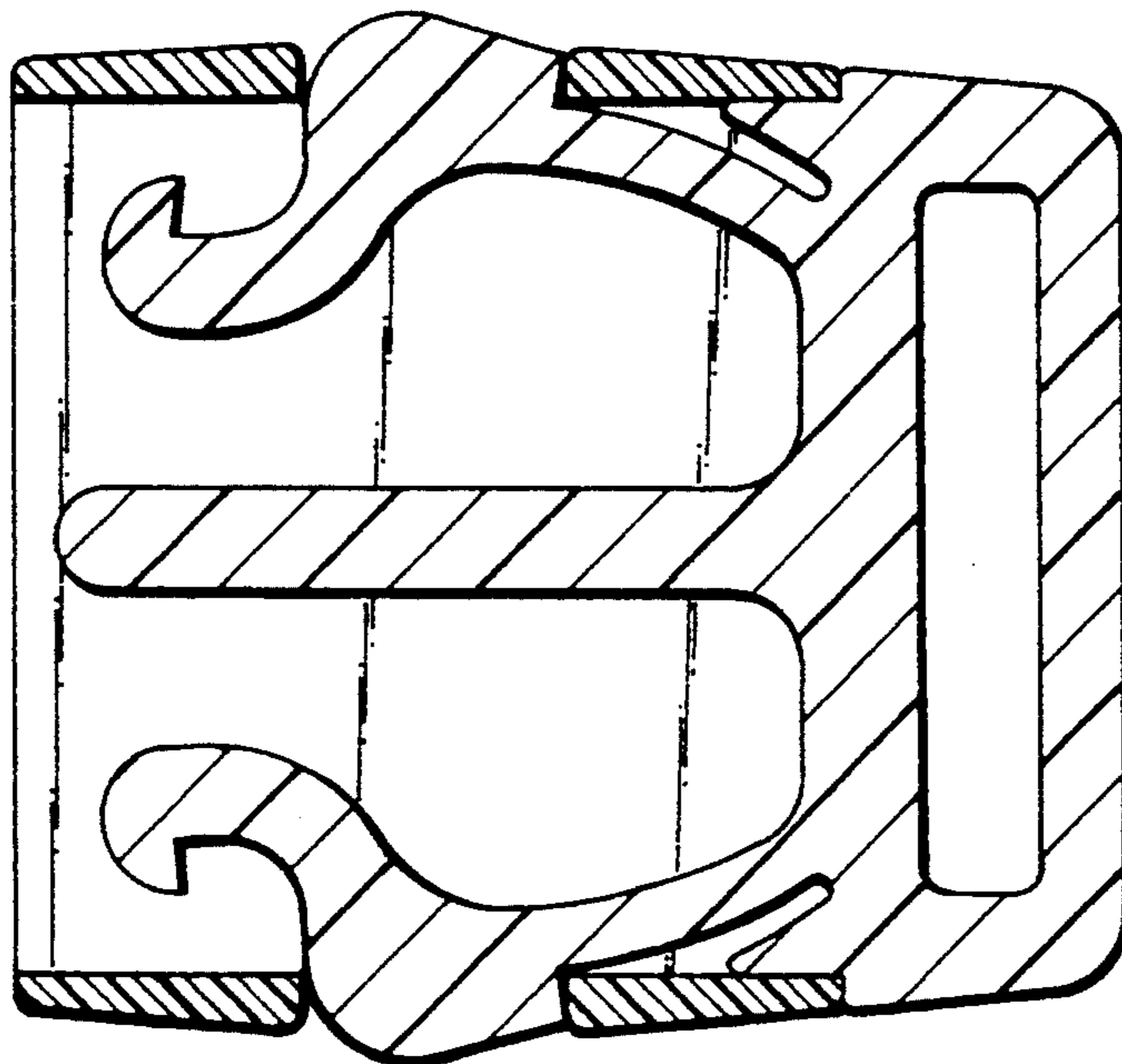


FIG. 11



FIG. 12

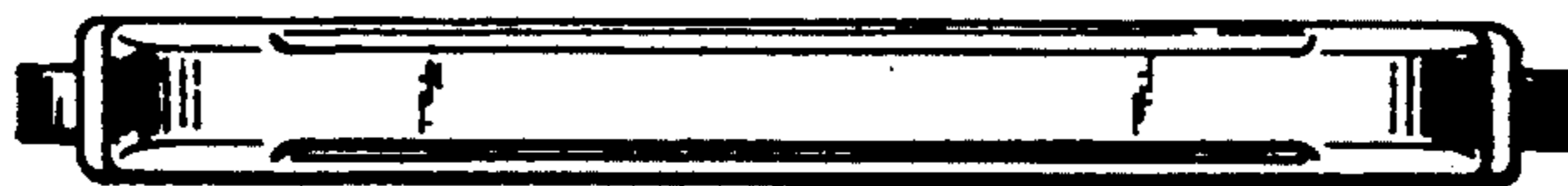


FIG. 13

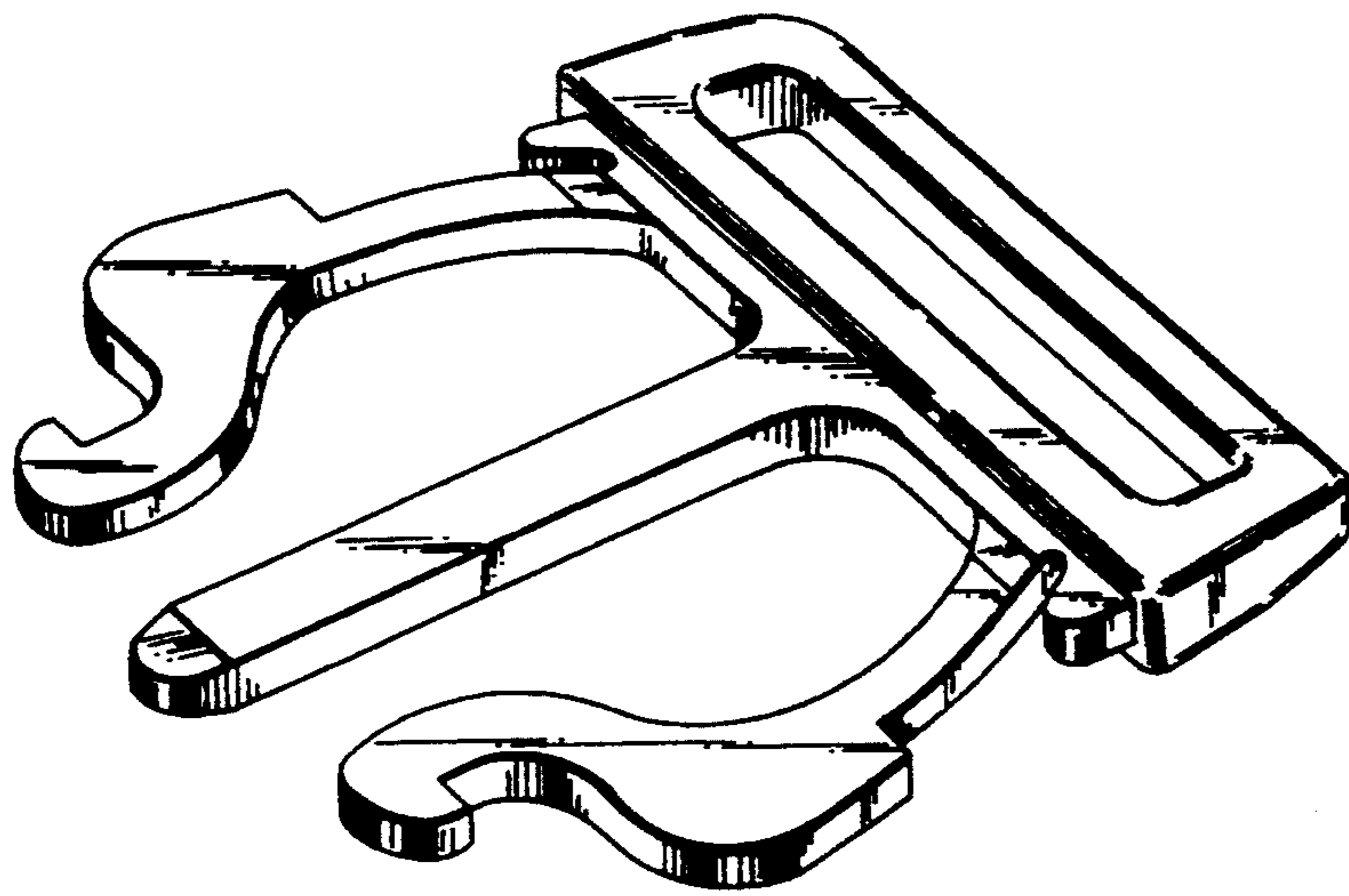


FIG.14

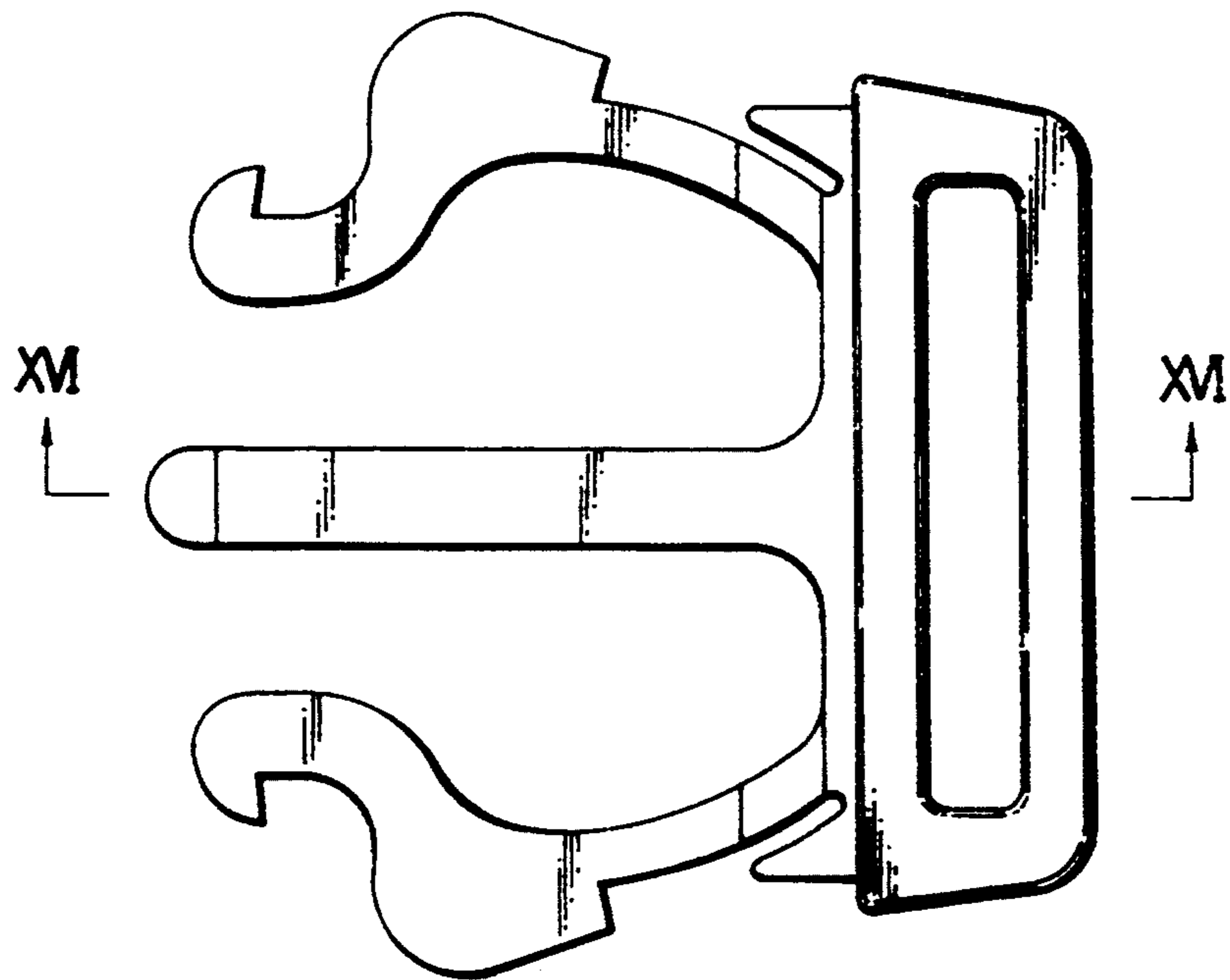


FIG.15

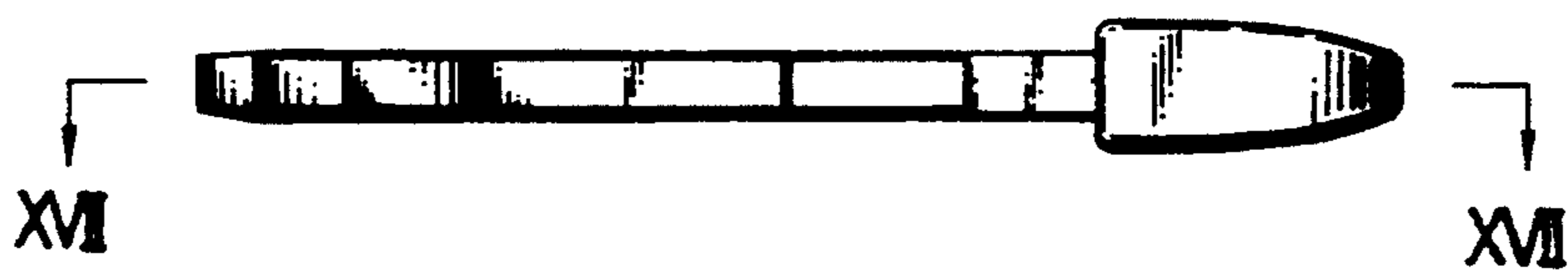


FIG.16





FIG. 17

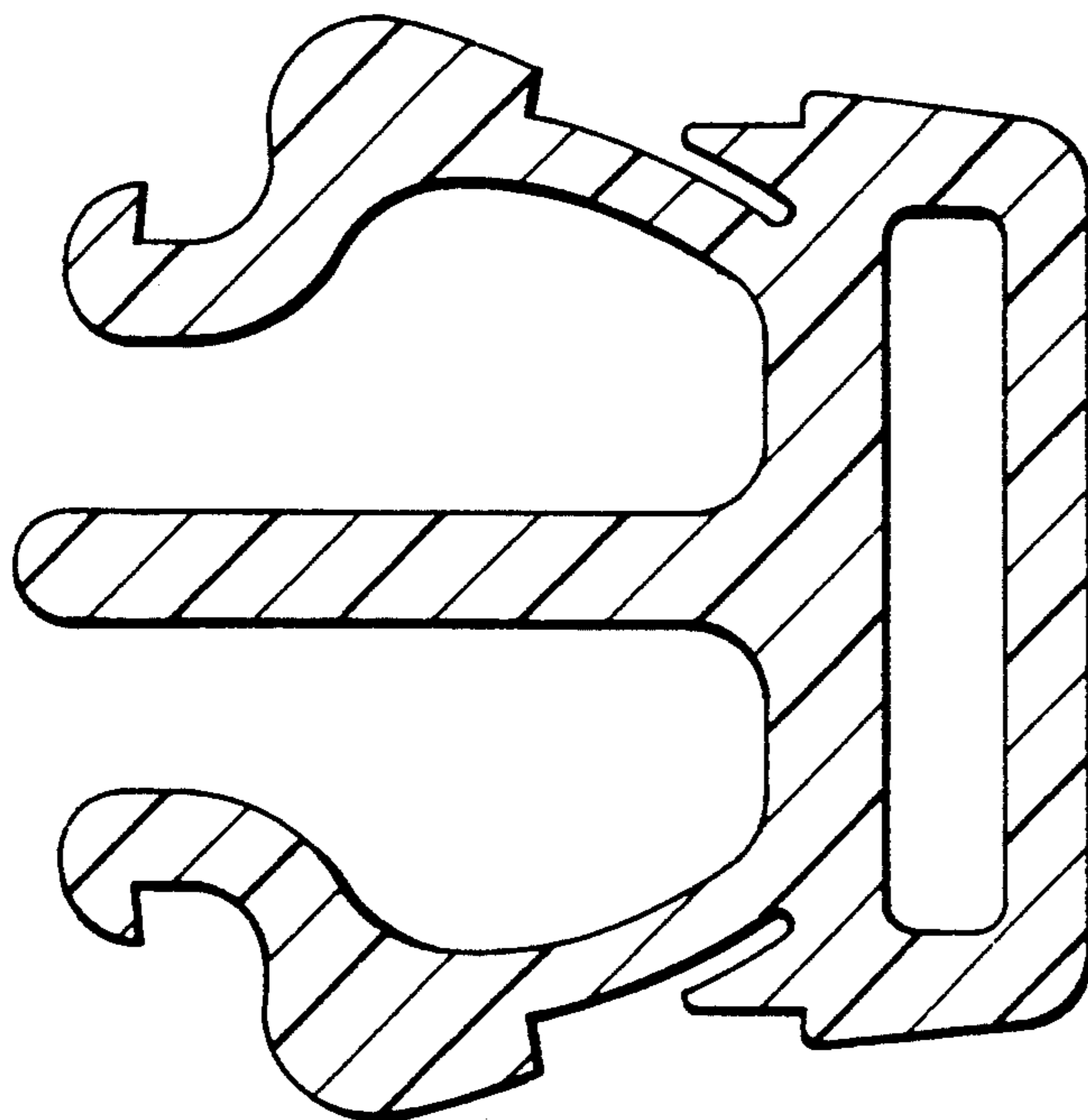


FIG. 18



FIG. 19



FIG. 20

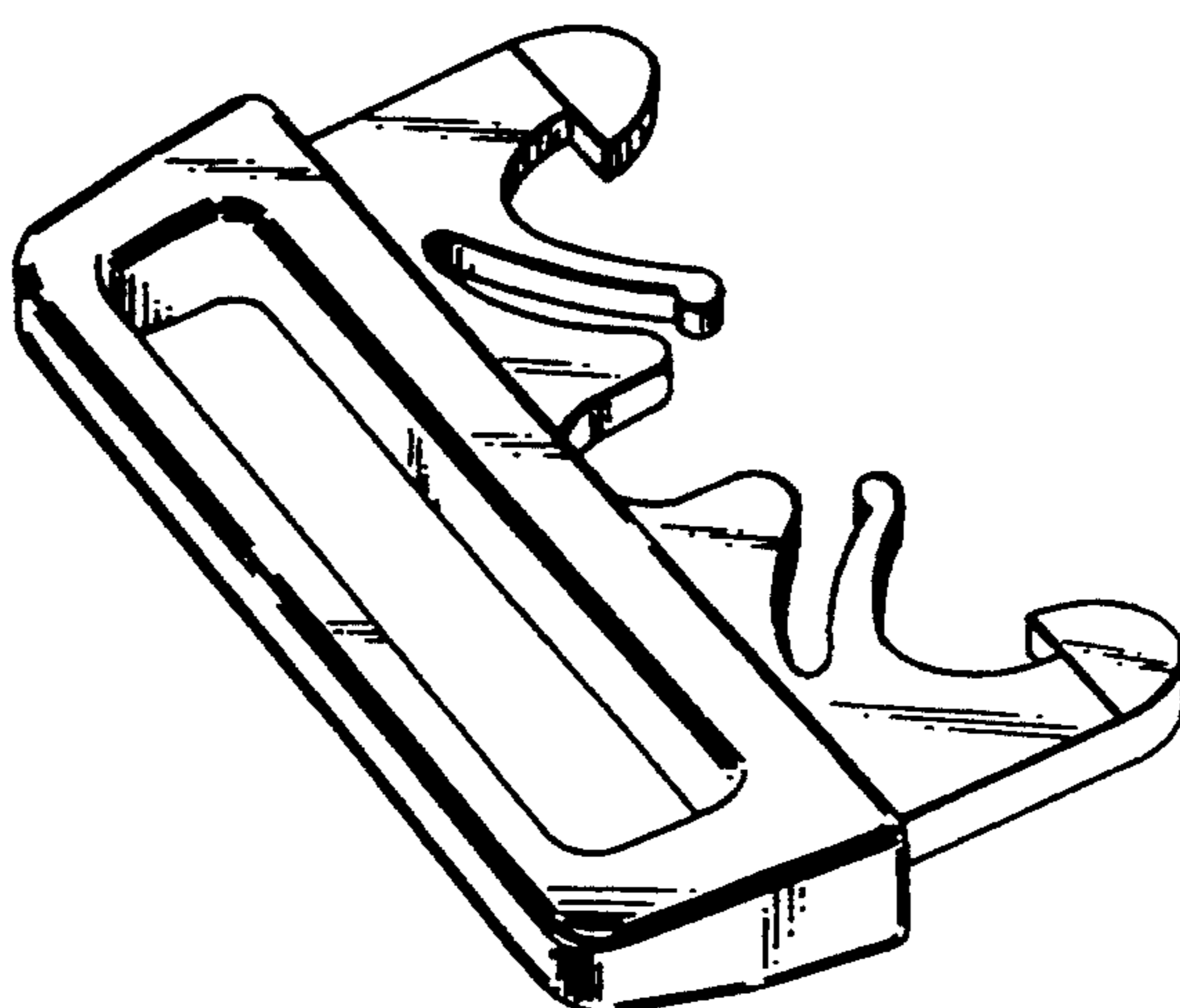


FIG. 21

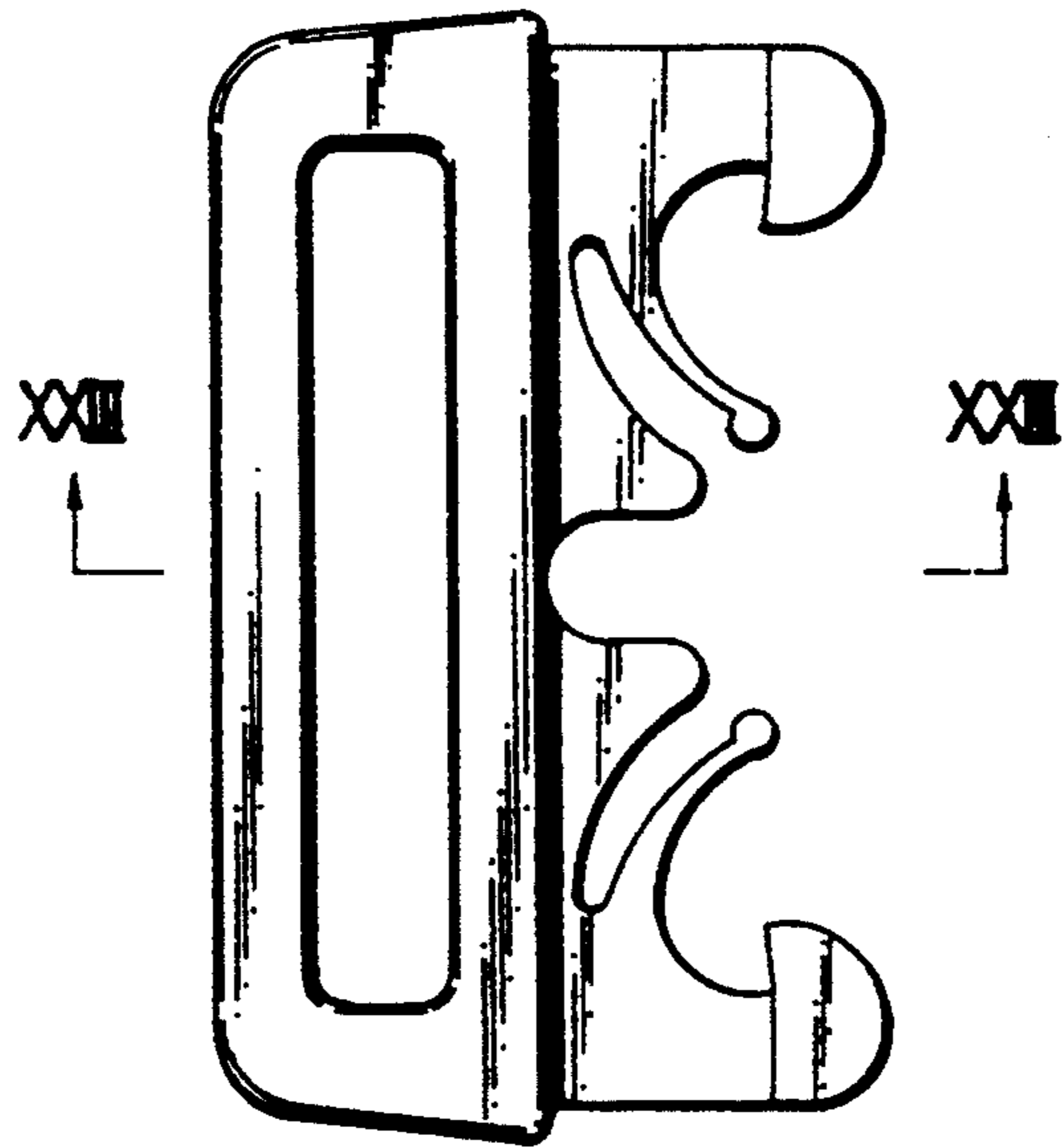


FIG. 22

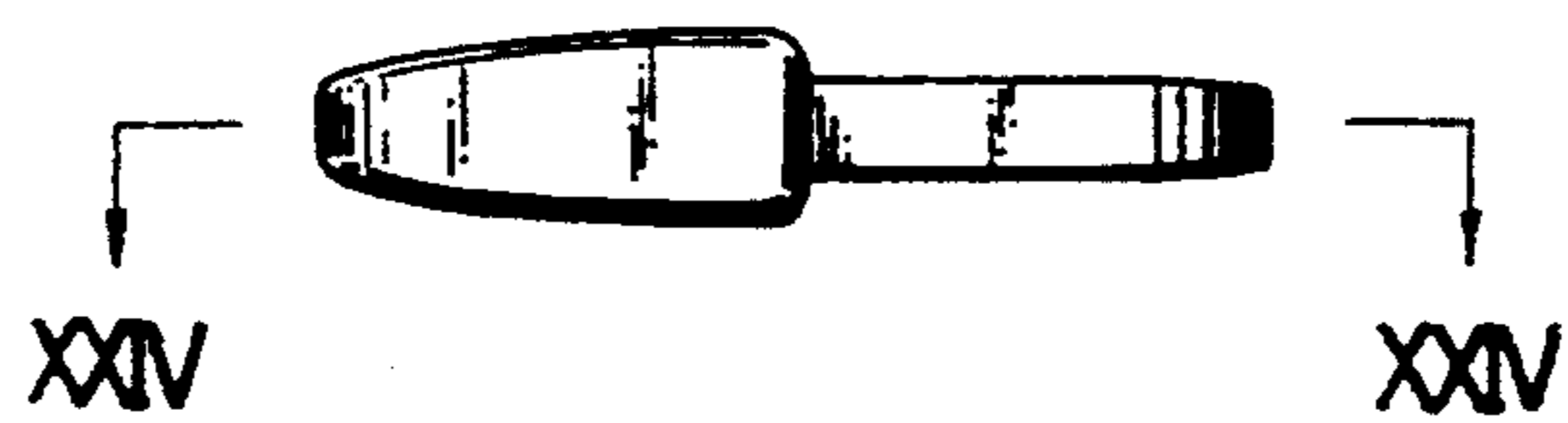


FIG. 23



FIG.24

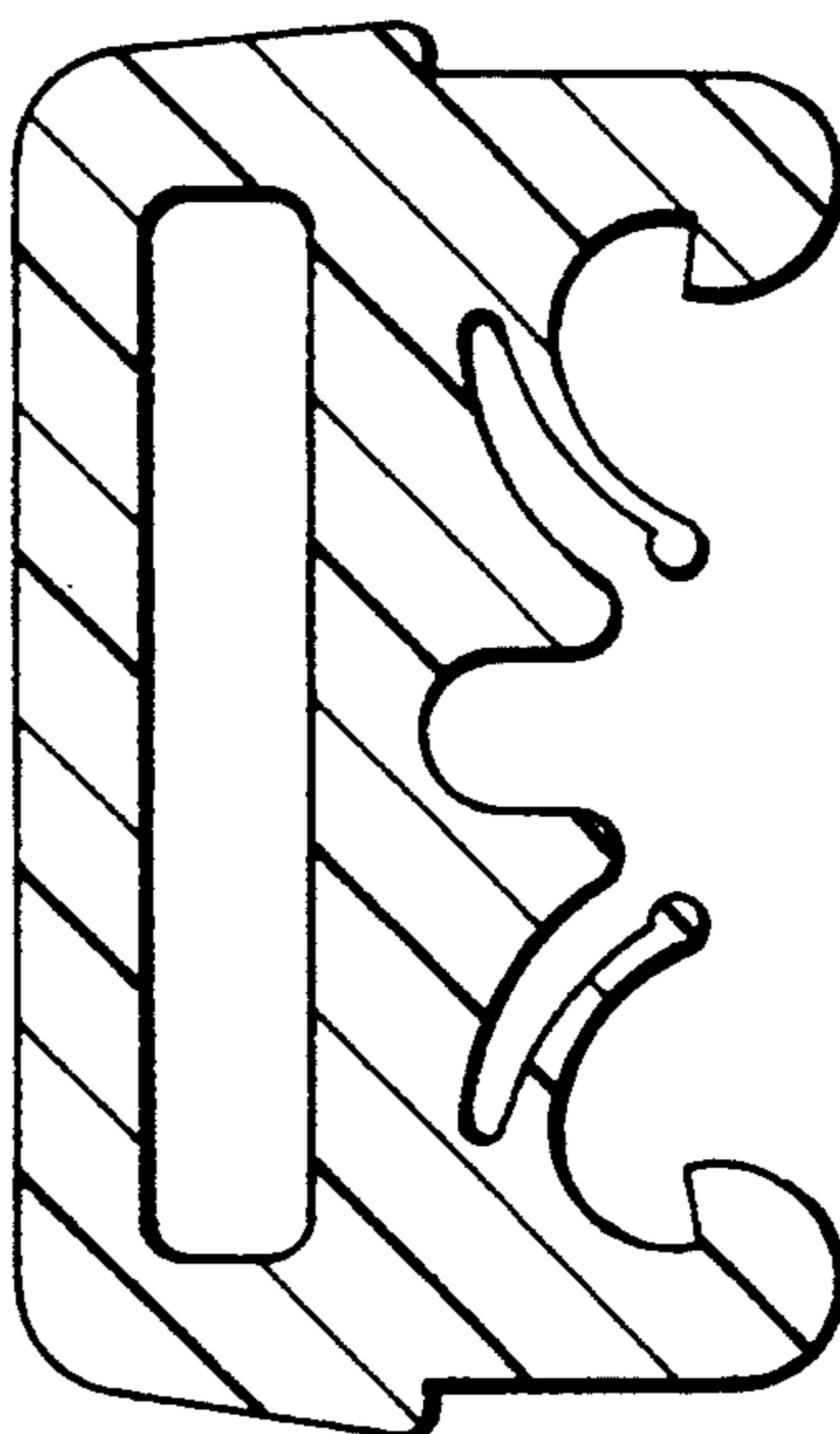


FIG.25

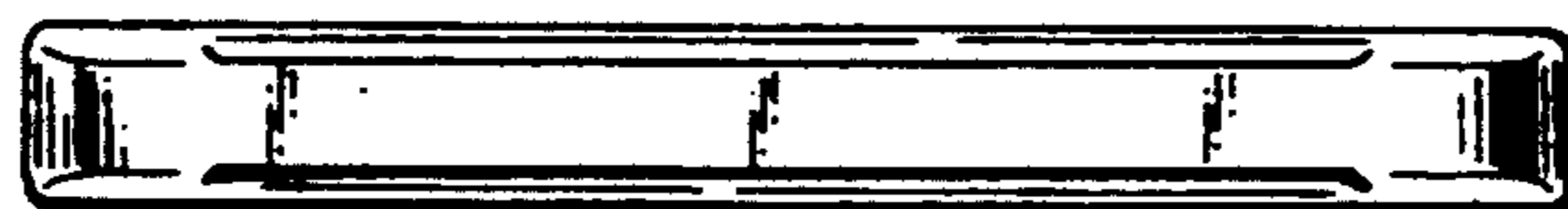


FIG.26

