



US00D349663S

United States Patent [19] Spicer

[11] Patent Number: **Des. 349,663**

[45] Date of Patent: **** Aug. 16, 1994**

[54] **BOUQUET HOLDER**
[76] Inventor: **Valerie L. Spicer, 37 St. Davids Road, Tavistock, Devon, England**

[**] Term: **14 Years**

[21] Appl. No.: **13,590**

[22] Filed: **Sep. 28, 1993**

[30] **Foreign Application Priority Data**

Mar. 31, 1993 [GB] United Kingdom 2030123

[52] U.S. Cl. **D11/164; D11/147**

[58] Field of Search 47/41.12, 41.1; 248/27.8; D11/117, 130, 147, 148, 164, 146

[56] **References Cited**

U.S. PATENT DOCUMENTS

- D. 56,308 9/1920 Porter D11/117 X
- D. 130,071 6/1941 Larsen .
- D. 197,770 3/1964 Friedman et al D11/117 X
- D. 226,213 1/1973 Meyer D11/147
- D. 236,643 9/1975 Ross D11/130 X
- D. 247,616 3/1978 Meyer D11/146

- D. 317,884 7/1991 Spicer D11/147
- 2,765,585 5/1953 Smithers 47/41
- 3,576,699 4/1971 Meyer 248/27.8
- 4,204,365 5/1980 Hirvi 47/41
- 4,566,221 1/1986 Kossin 47/41.12

Primary Examiner—Alan P. Douglas
Assistant Examiner—S. Snapp
Attorney, Agent, or Firm—Venable, Baetjer, Howard & Civiletti

[57] **CLAIM**

The ornamental design for a bouquet holder, as shown and described.

DESCRIPTION

FIG. 1 is a perspective view of a bouquet holder showing my new design;
FIG. 2 is a left side view thereof, the right side being a mirror image;
FIG. 3 is a front view thereof, seen in the direction of the arrow 3 in FIG. 2; and,
FIG. 4 is a rear view thereof, seen in the direction of the arrow 4 in FIG. 2.

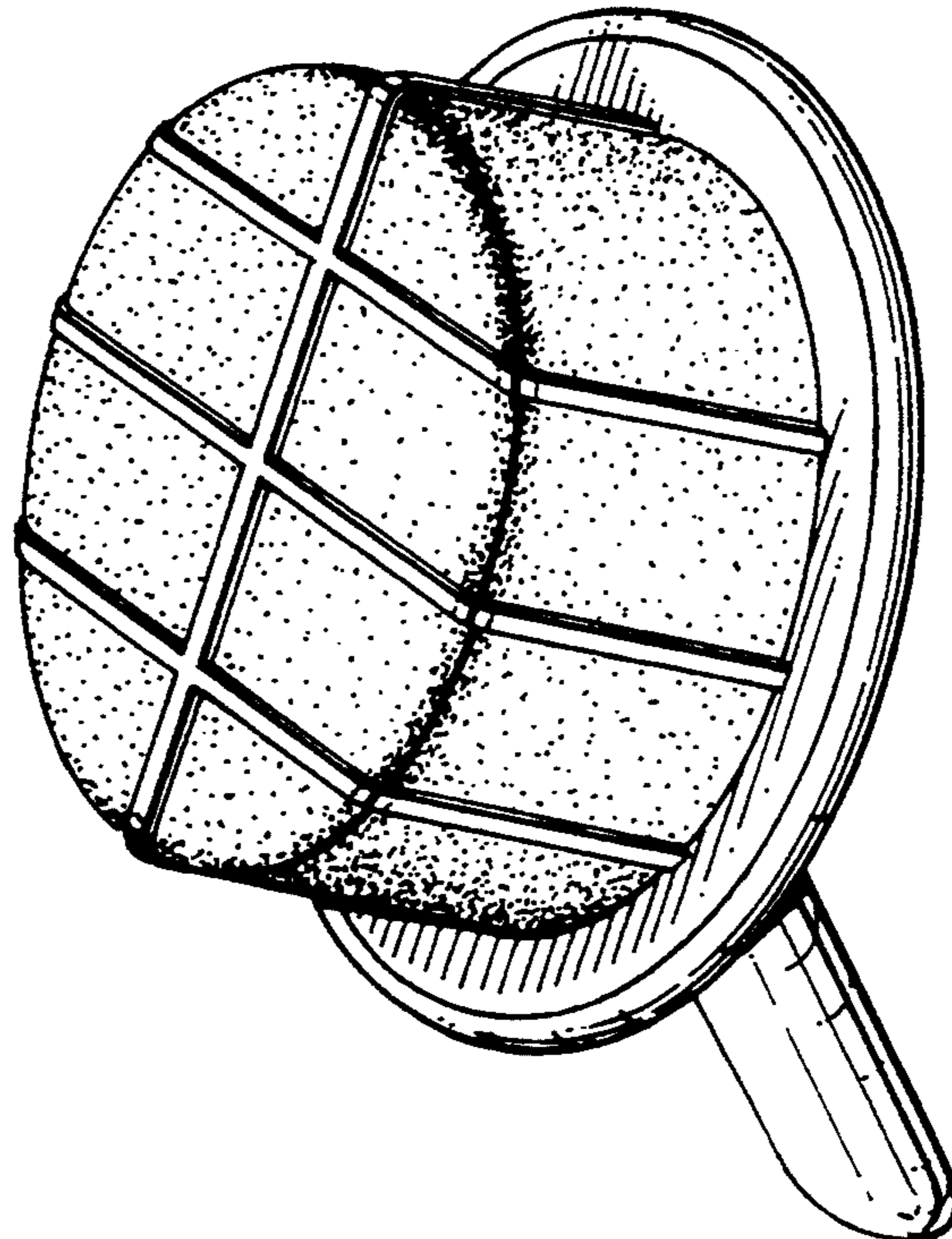


Fig. 1

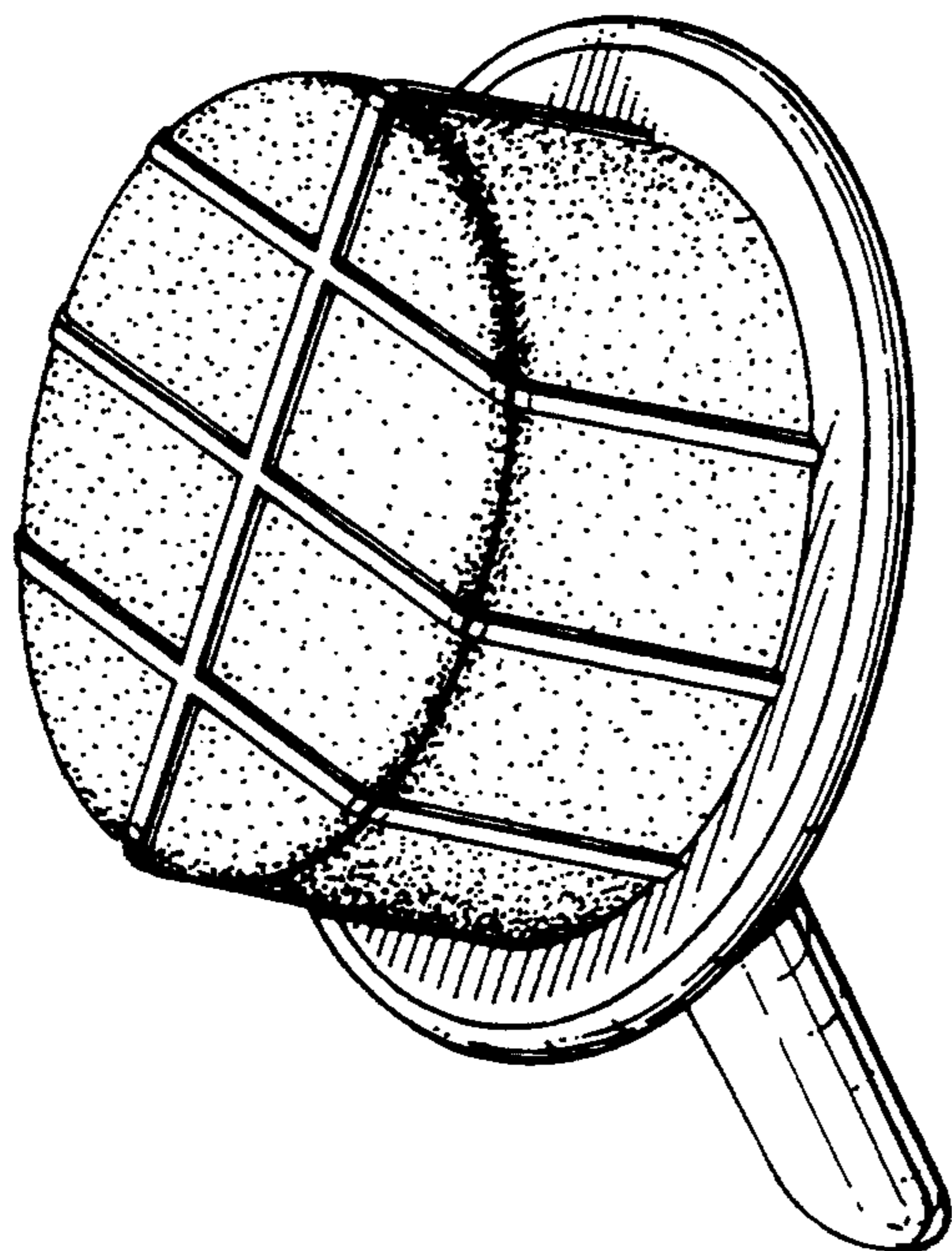


Fig. 2

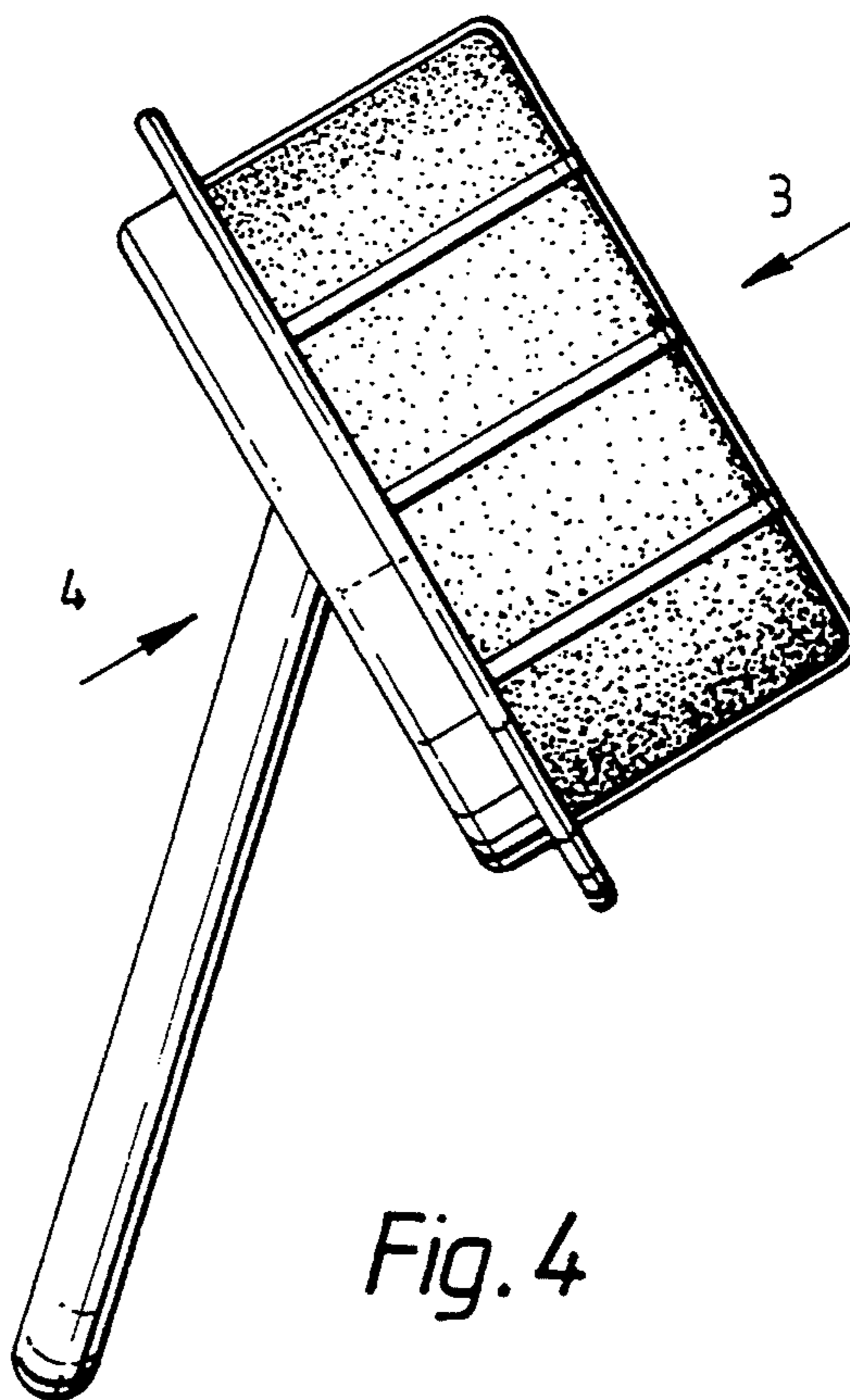


Fig. 3

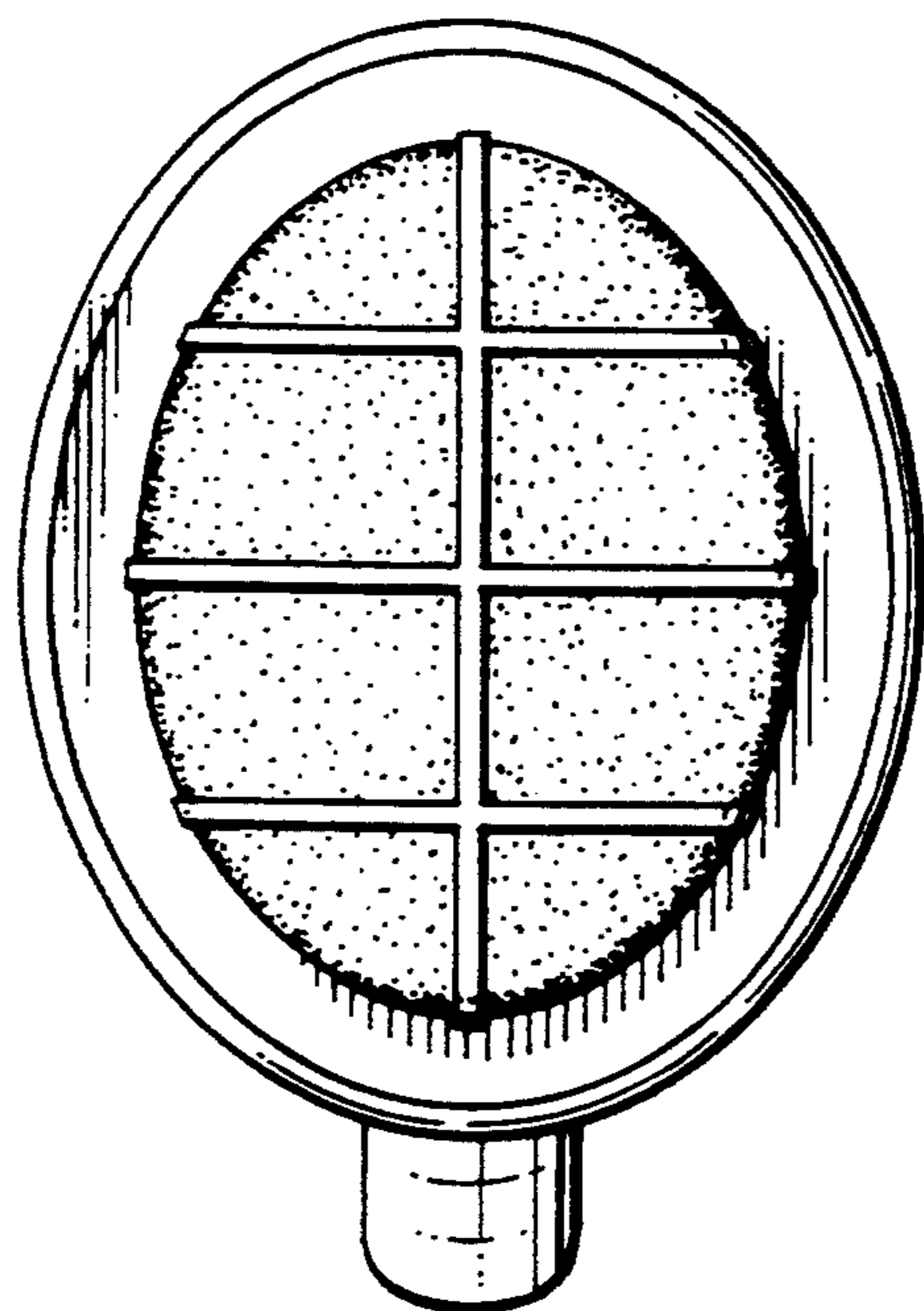


Fig. 4

