



US00D349661S

United States Patent [19]

[11] Patent Number: **Des. 349,661**

DeJarlais et al.

[45] Date of Patent: **** Aug. 16, 1994**

[54] WATER METER HOUSING

[75] Inventors: **George DeJarlais**, Wauwatosa; **Mark D. Slaughenhoup**, Kewaskum, both of Wis.

[73] Assignee: **Badger Meter, Inc.**, Milwaukee, Wis.

[**] Term: **14 Years**

[21] Appl. No.: **4,387**

[22] Filed: **Feb. 3, 1993**

[52] U.S. Cl. **D10/99**

[58] Field of Search 73/201, 431;
137/363-371, 374; D10/99, 100

[56] References Cited

U.S. PATENT DOCUMENTS

27,697	9/1897	Bassett	D10/99
D. 183,015	6/1958	Newbury	D10/99
5,145,214	9/1992	Hunt	73/201 XZ

Primary Examiner—Alan P. Douglas
Assistant Examiner—Antoine D. Davis

Attorney, Agent, or Firm—Quarles & Brady

[57] CLAIM

The ornamental design for a water meter housing, as shown and described.

DESCRIPTION

FIG. 1 is a perspective view of the water meter housing showing our new design;
 FIG. 2 is a top plan view thereof;
 FIG. 3 is a left side elevational view thereof, the right side being a mirror image thereof;
 FIG. 4 is a front elevational view thereof;
 FIG. 5 is a rear elevational view thereof;
 FIG. 6 is a perspective view thereof when used with another unit assembled thereto;
 FIG. 7 is a bottom plan view thereof; and,
 FIG. 8 is a perspective view of another embodiment, made of brass, the other views of this embodiment being the same as FIGS. 2-7.

The broken line showing of a coupling unit and register housing are for illustrative purposes only and forms no part of the claimed design.

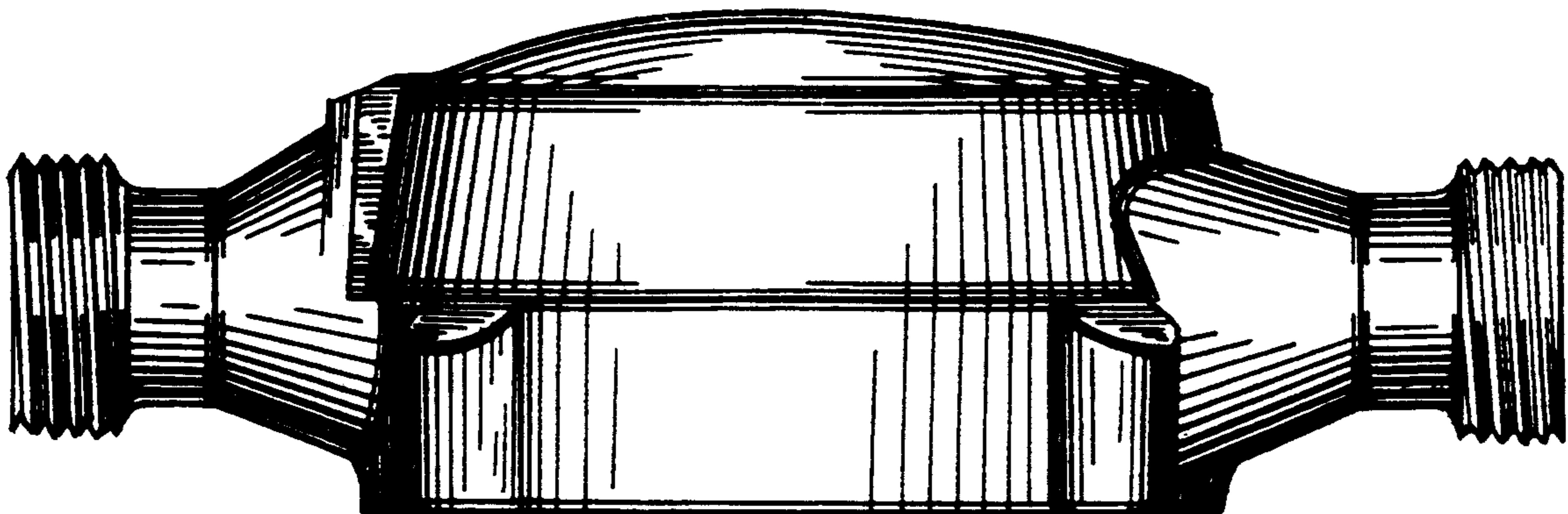


FIG. 1

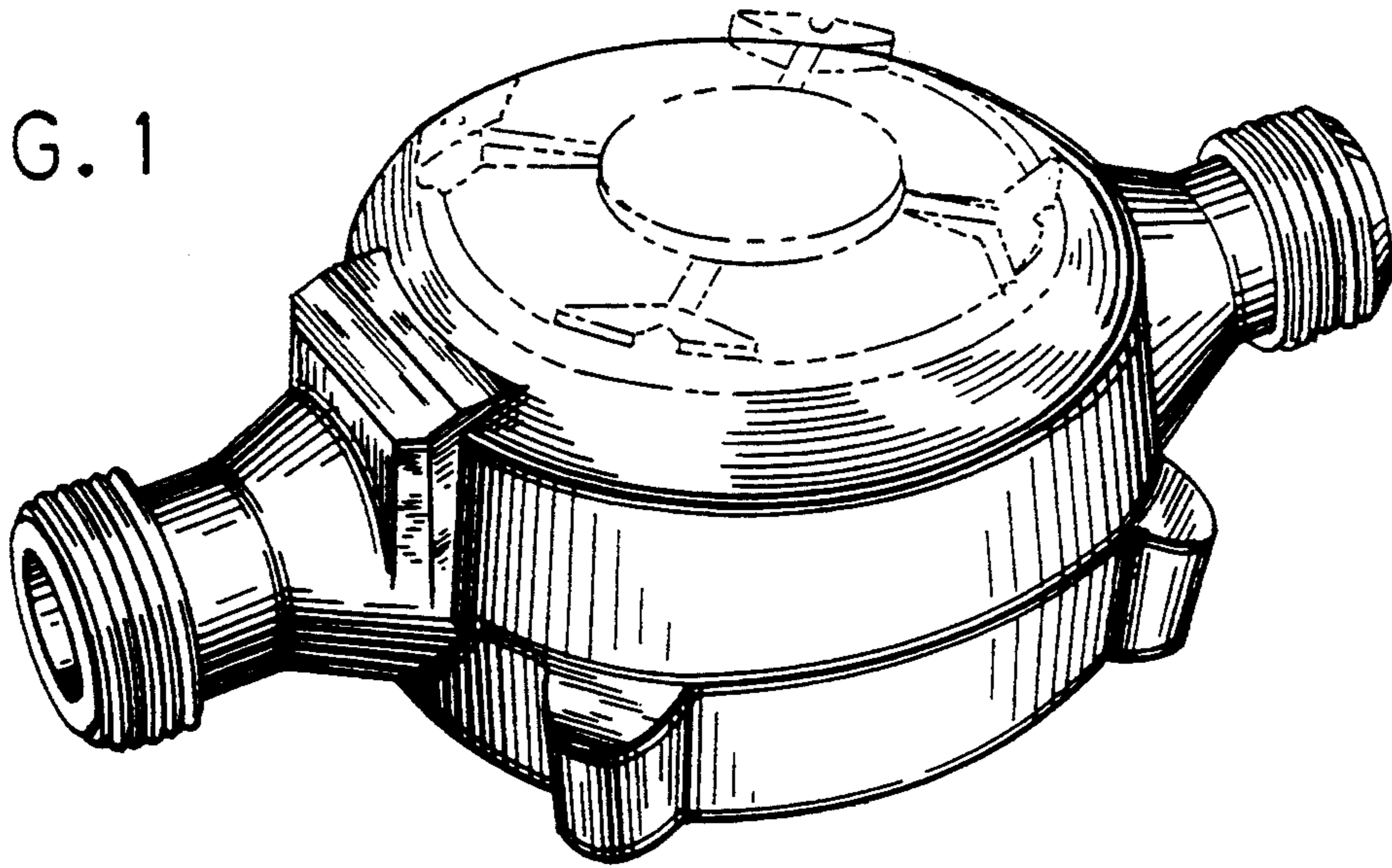


FIG. 2

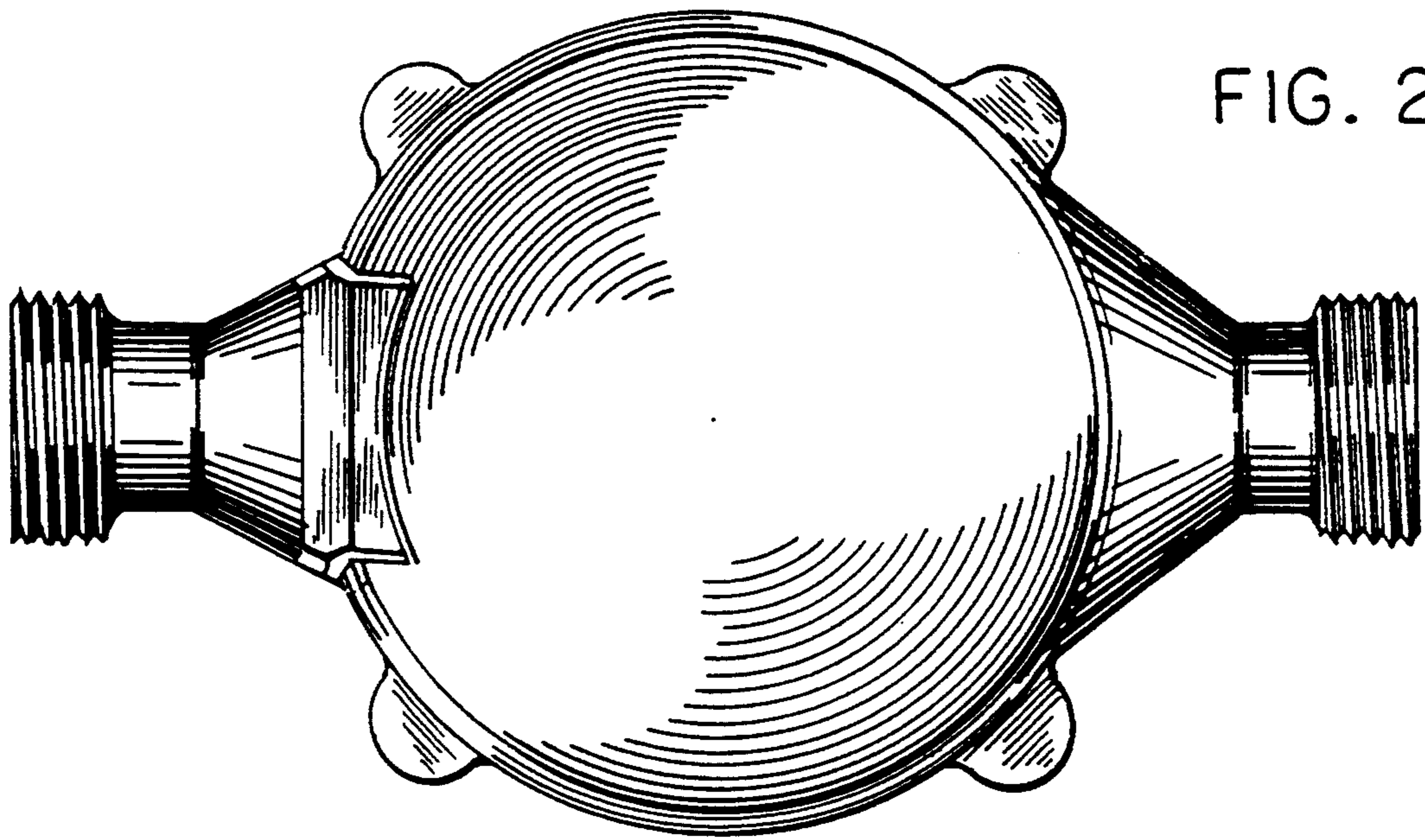


FIG. 3

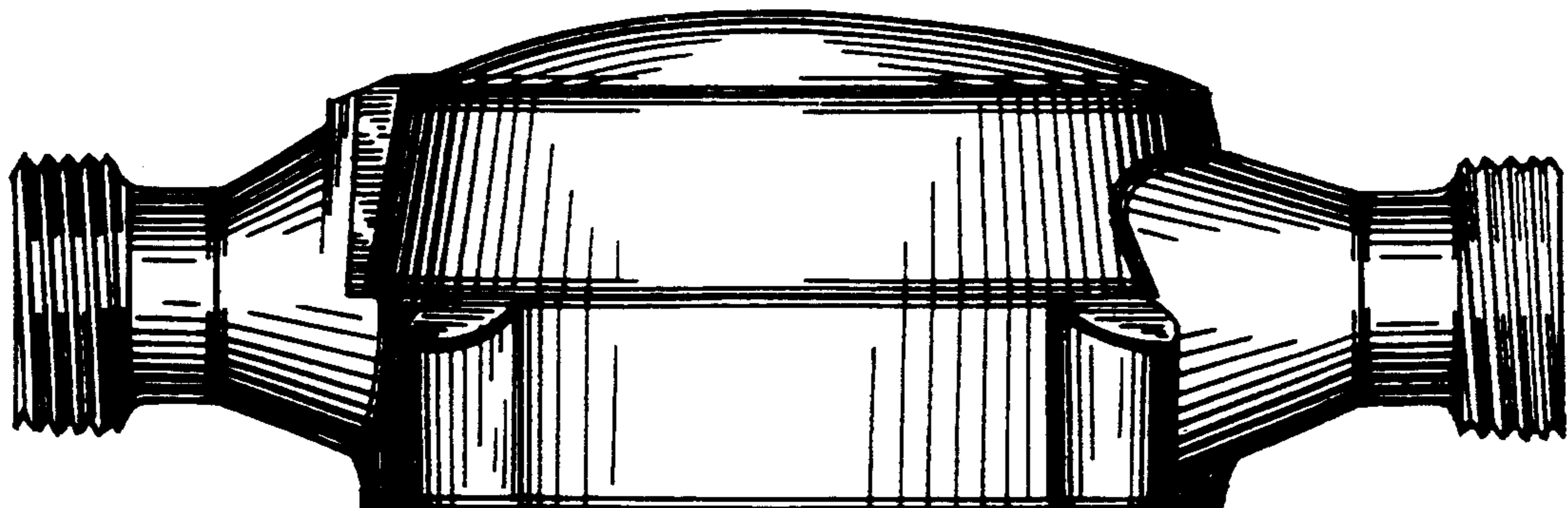


FIG. 4

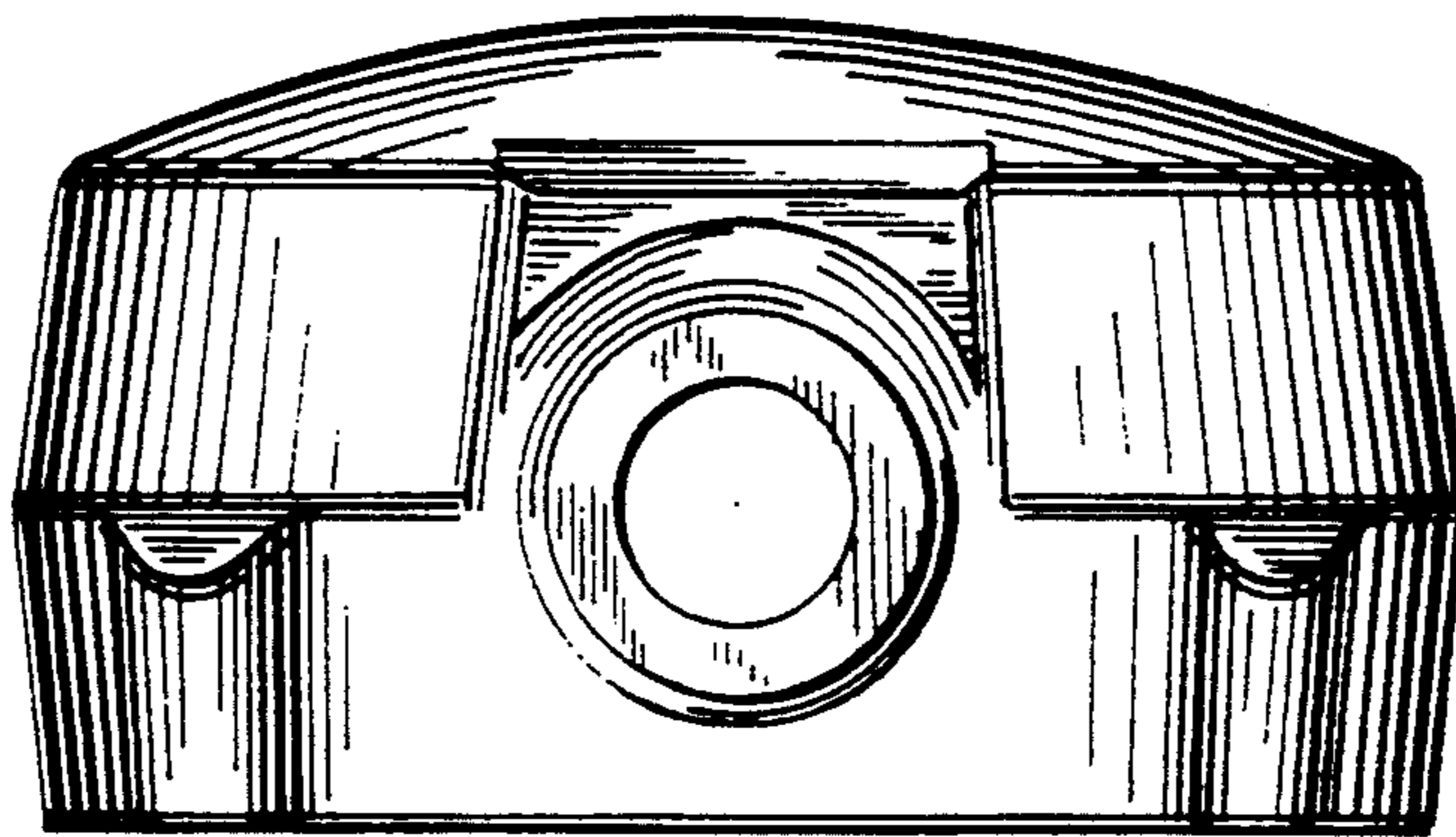


FIG. 5

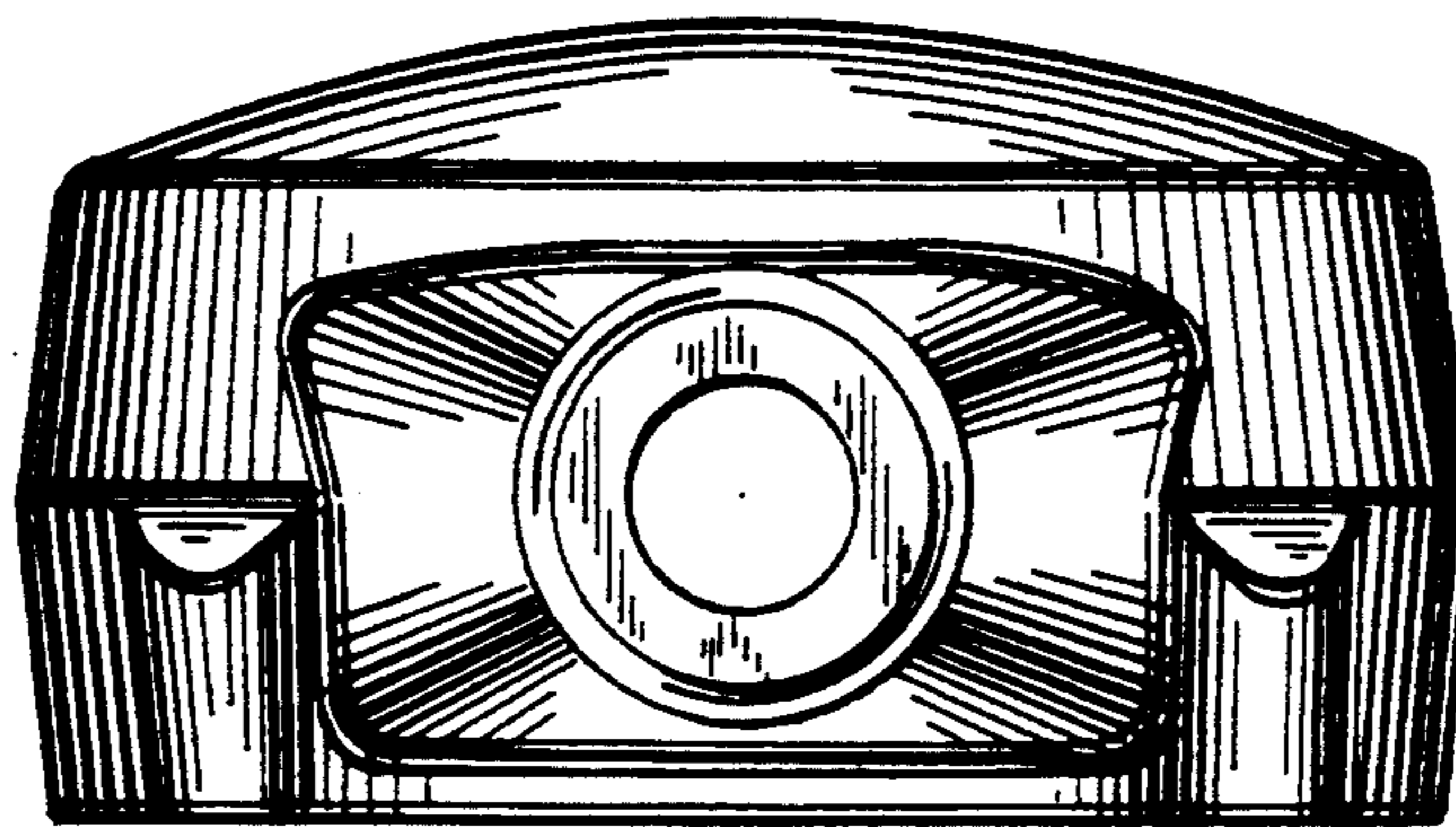


FIG. 6

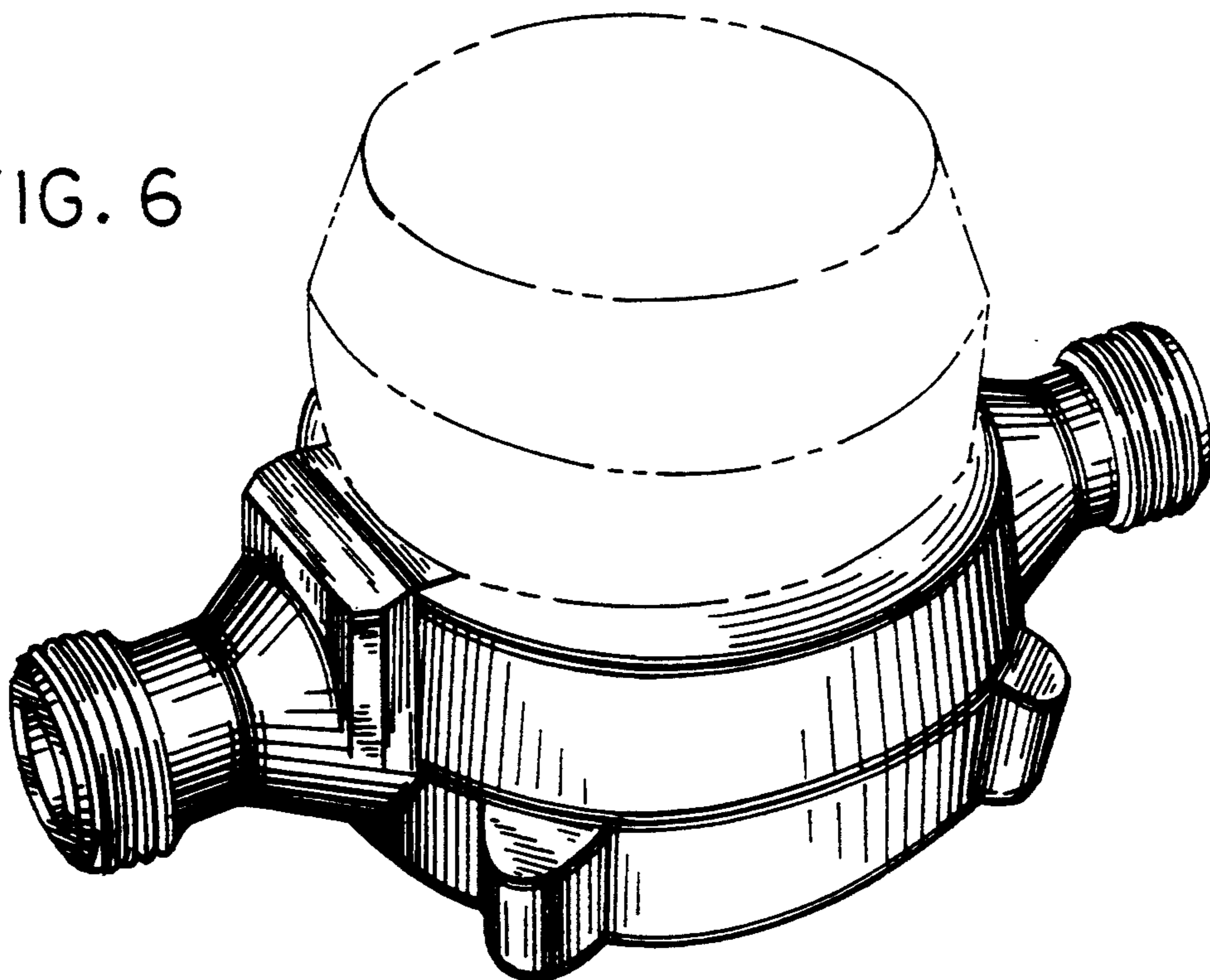


FIG. 8

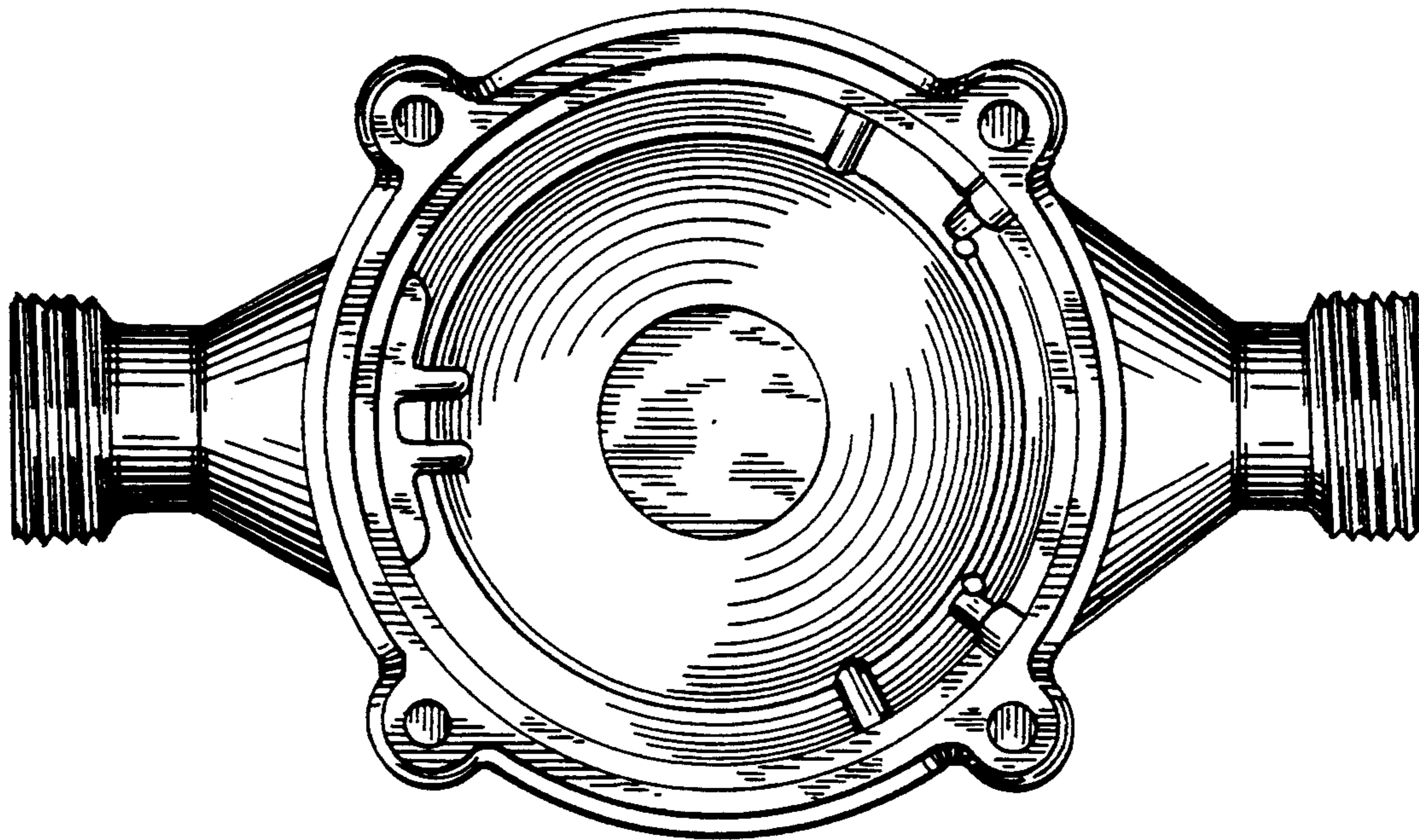
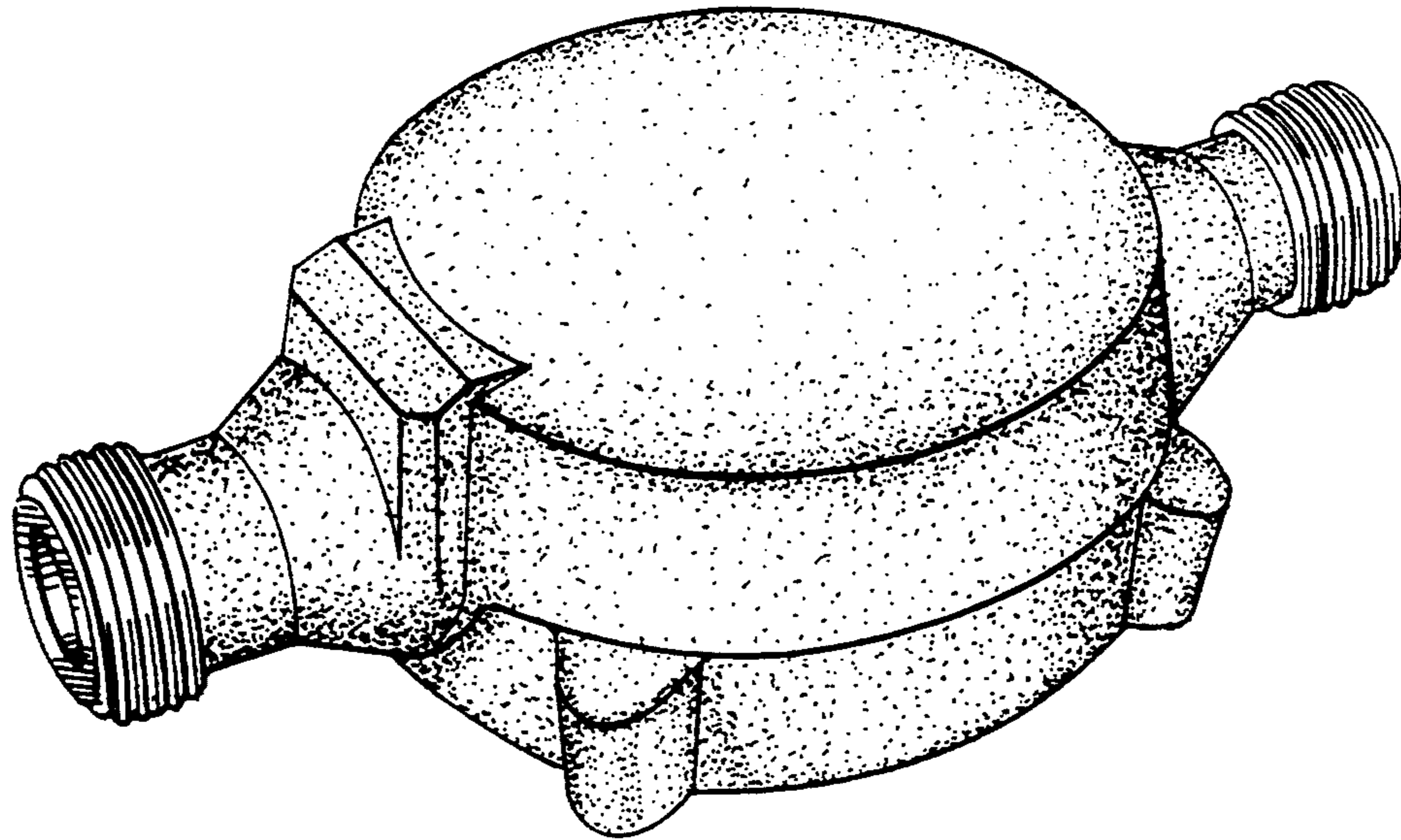


FIG. 7