



US00D349660S

United States Patent [19]

[11] Patent Number: **Des. 349,660**

Chaplin et al.

[45] Date of Patent: **** Aug. 16, 1994**

[54] FLUID FLOW METER

[75] Inventors: **James Chaplin; John C. Nielsen; Edward J. Lazzeroni, Sr.**, all of Racine; **Timothy E. Zollers**, Milwaukee, all of Wis.

[73] Assignee: **Racine Federated**, Racine, Wis.

[**] Term: **14 Years**

[21] Appl. No.: **6,557**

[22] Filed: **Mar. 31, 1993**

[52] U.S. Cl. **D10/96**

[58] Field of Search 73/861.55, 861.58; 137/559, 552, 557, 561 R, 561 A; D10/82-85, 96

Esko Flowmeter Type V flyer. (date unknown).
Safematic SAFECIRC Recirculating Oil Lubrication System brochure. (date unknown).
Kytola Oval Flow brochure. (date unknown).
C-Shur® Pressure Oiling System brochure, Aug. 1976.

Primary Examiner—Alan P. Douglas
Assistant Examiner—Antoine D. Davis
Attorney, Agent, or Firm—Wood, Phillips, VanSanten, Hoffman & Ertel

[57] CLAIM

The ornamental design for a fluid flow meter, as shown and described.

DESCRIPTION

FIG. 1 is a perspective view of a fluid flow meter showing our new design;
FIG. 2 is a front elevation view thereof;
FIG. 3 is a right side elevation view thereof;
FIG. 4 is a left side elevation view thereof;
FIG. 5 is a bottom plan view thereof;
FIG. 6 is a top plan view thereof;
FIG. 7 is a rear elevation view thereof; and,
FIG. 8 is a front elevation view showing an alternative embodiment thereof.

[56] References Cited

U.S. PATENT DOCUMENTS

D. 182,004 1/1958 Spreitzer D10/96
3,985,029 10/1976 Green 73/861.58
4,562,863 1/1986 Claussen et al. 73/861.58 X

OTHER PUBLICATIONS

Esko Oil Flow Monitor V flowmeter flyer. (date unknown).

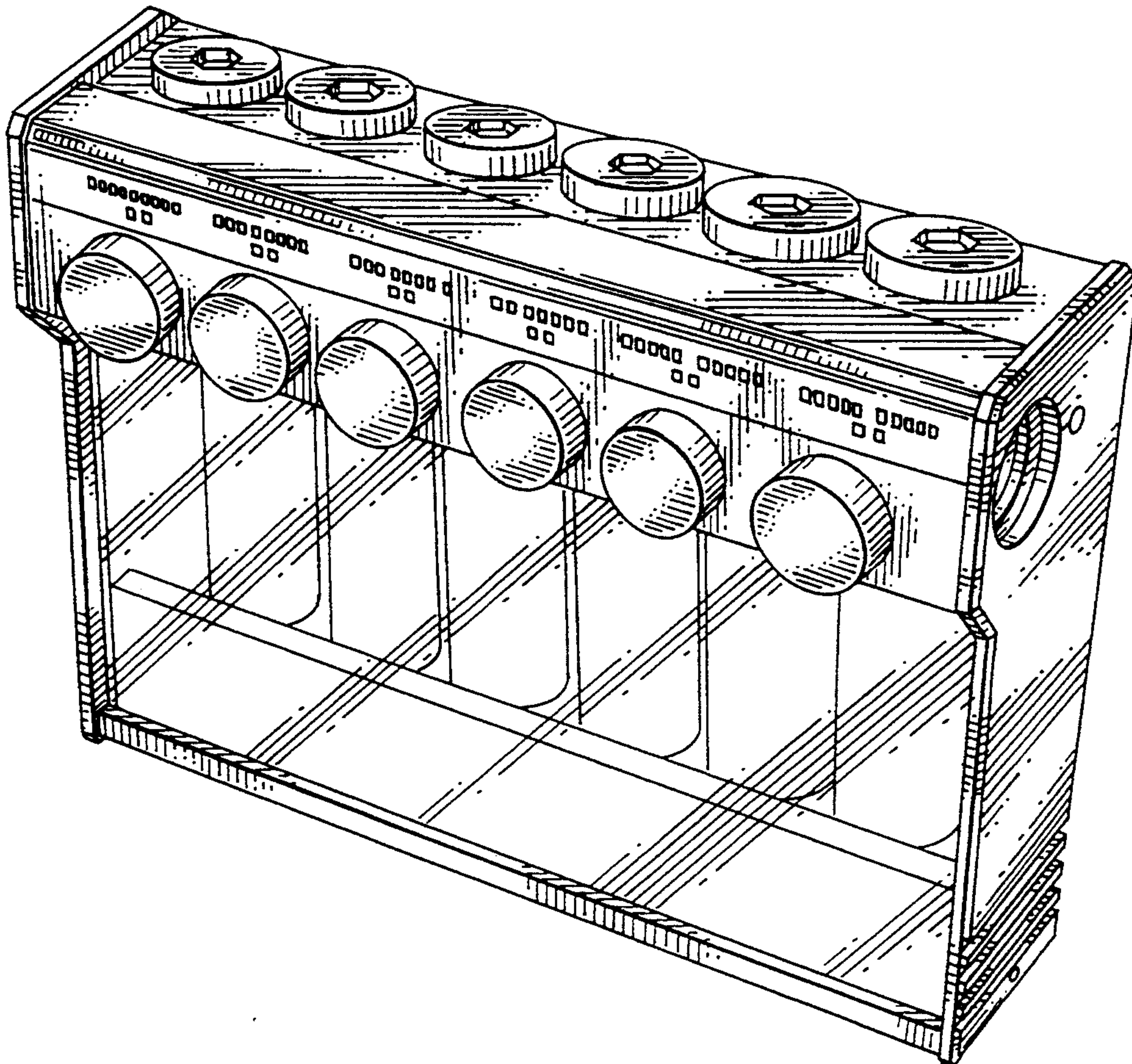


Fig. 1

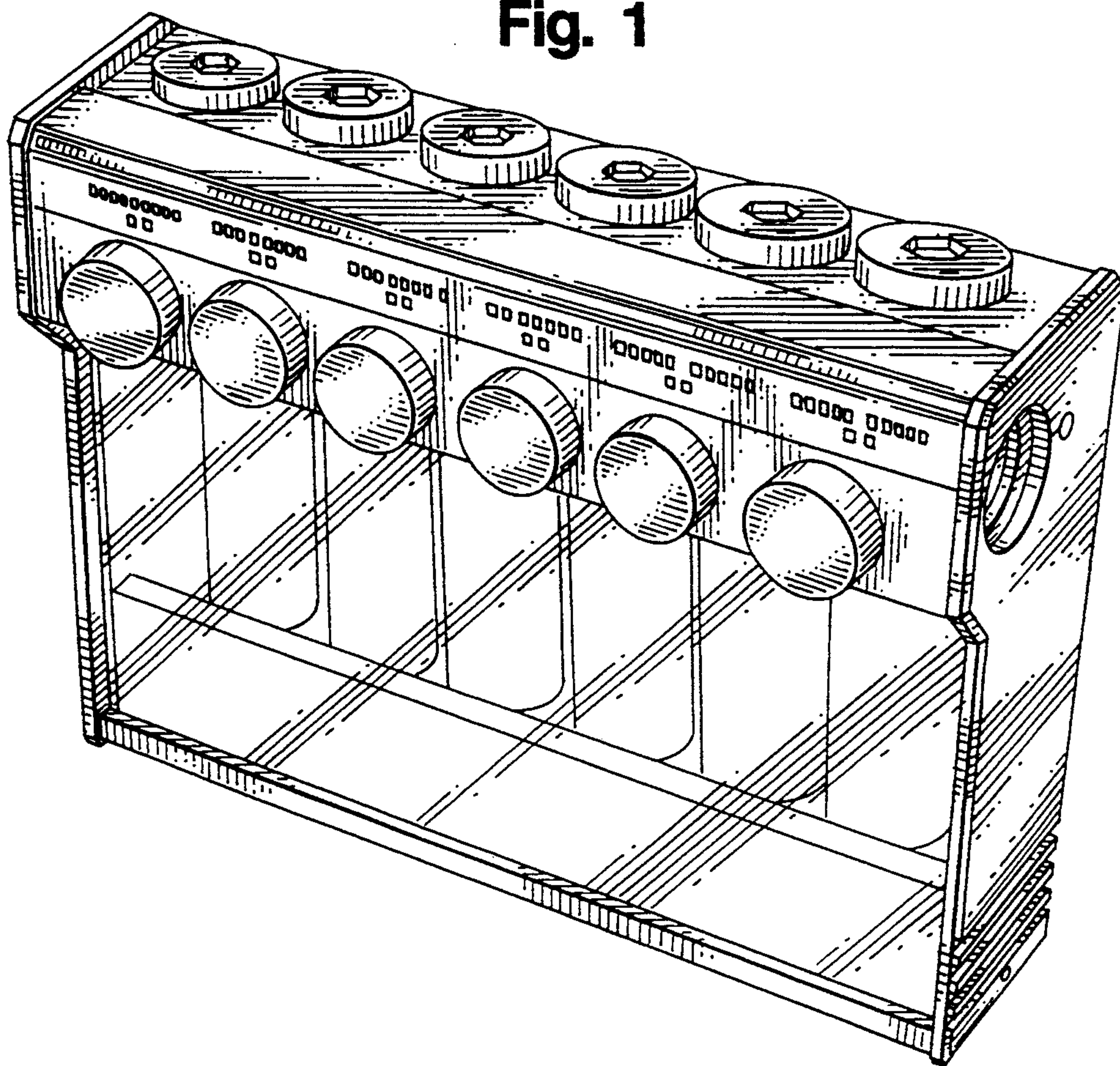


Fig. 2

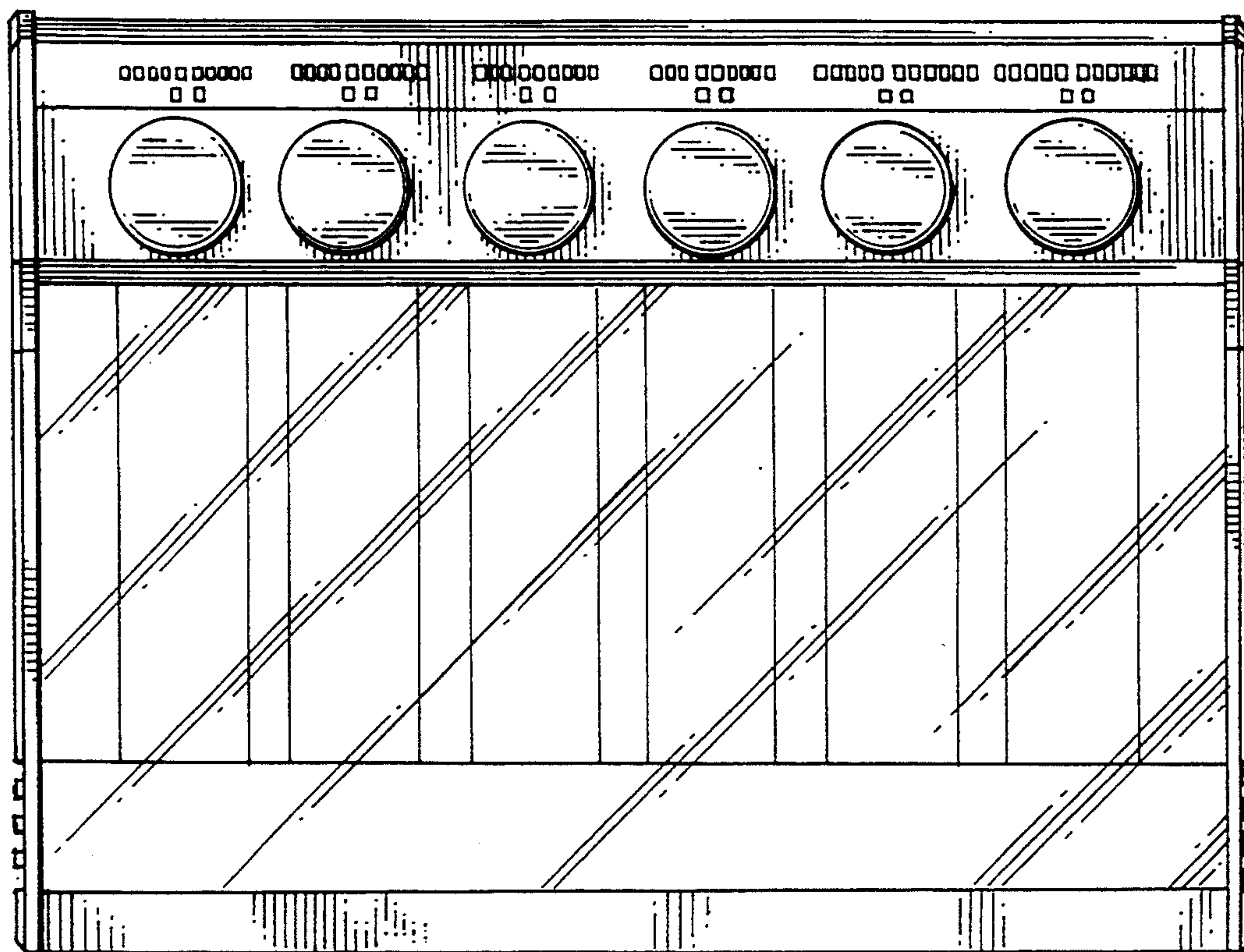


Fig. 3

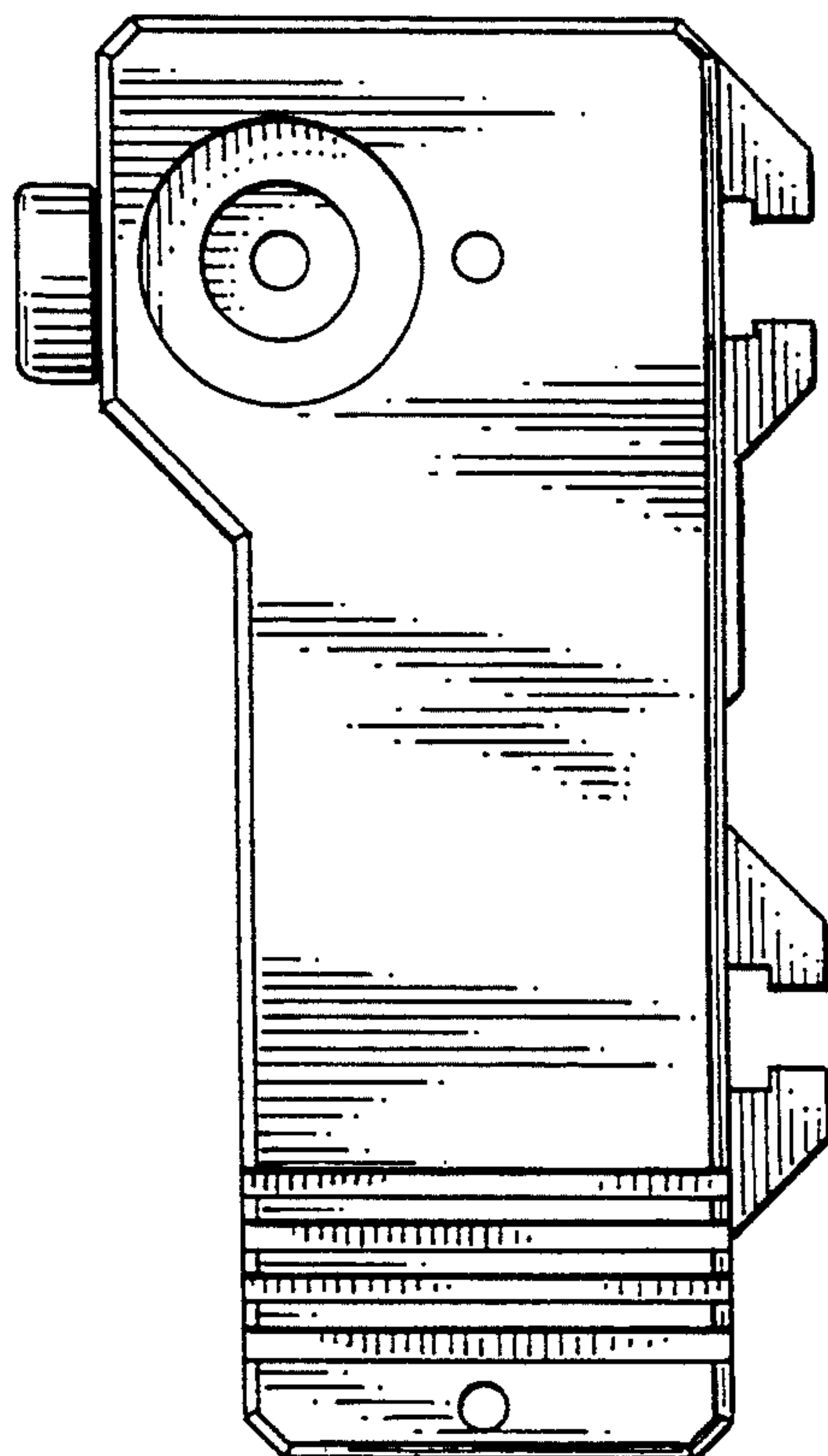


Fig. 4

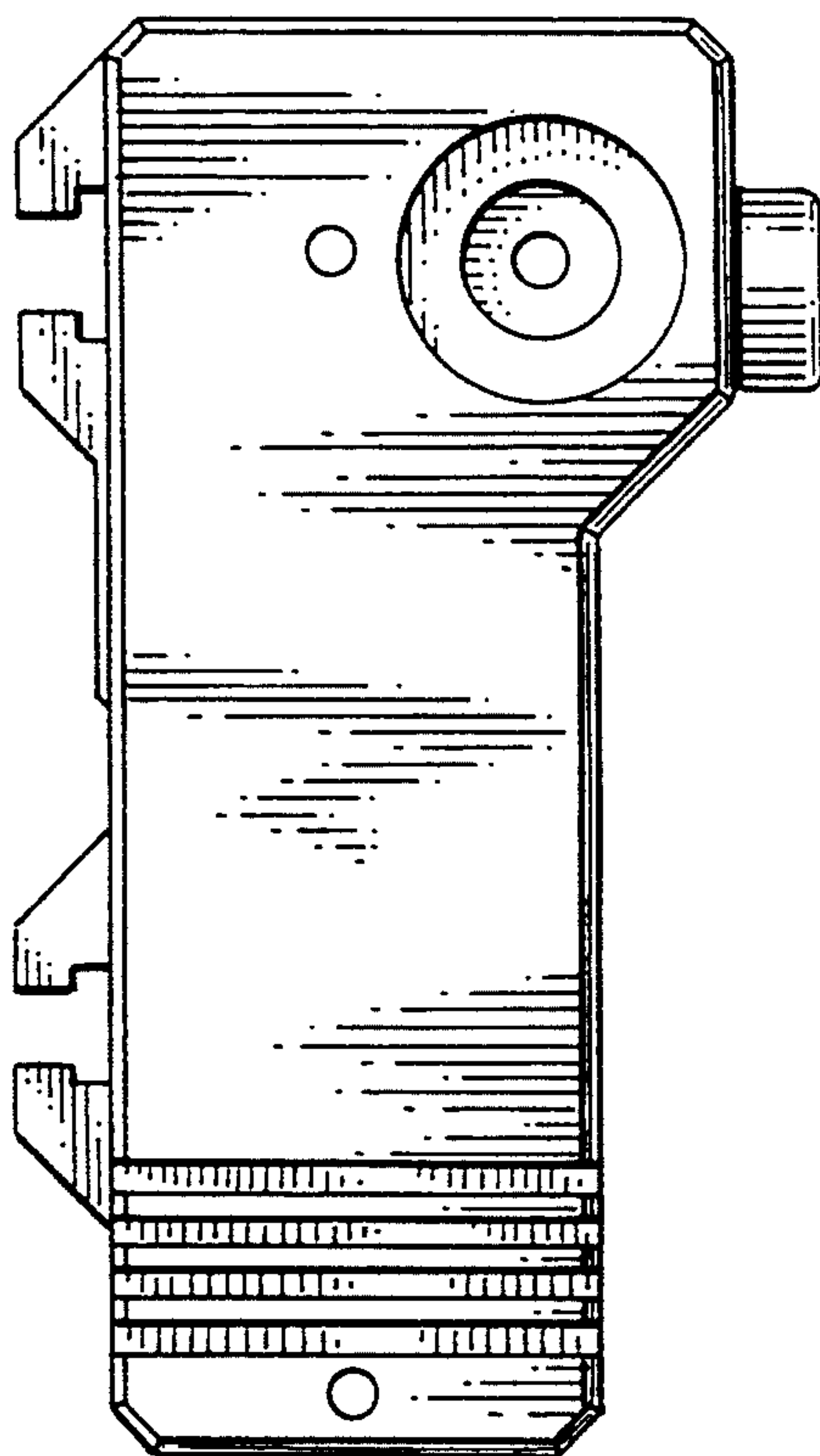


Fig. 5

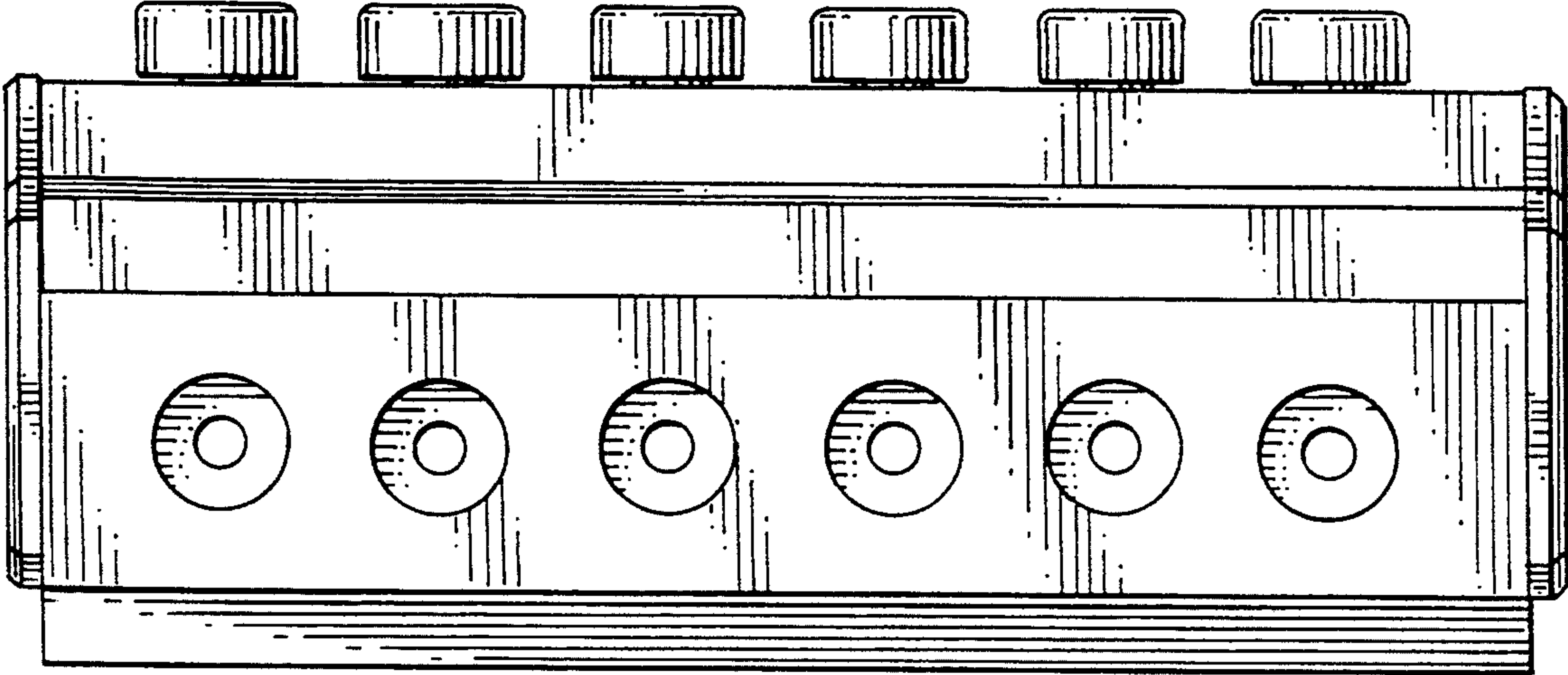


Fig. 6

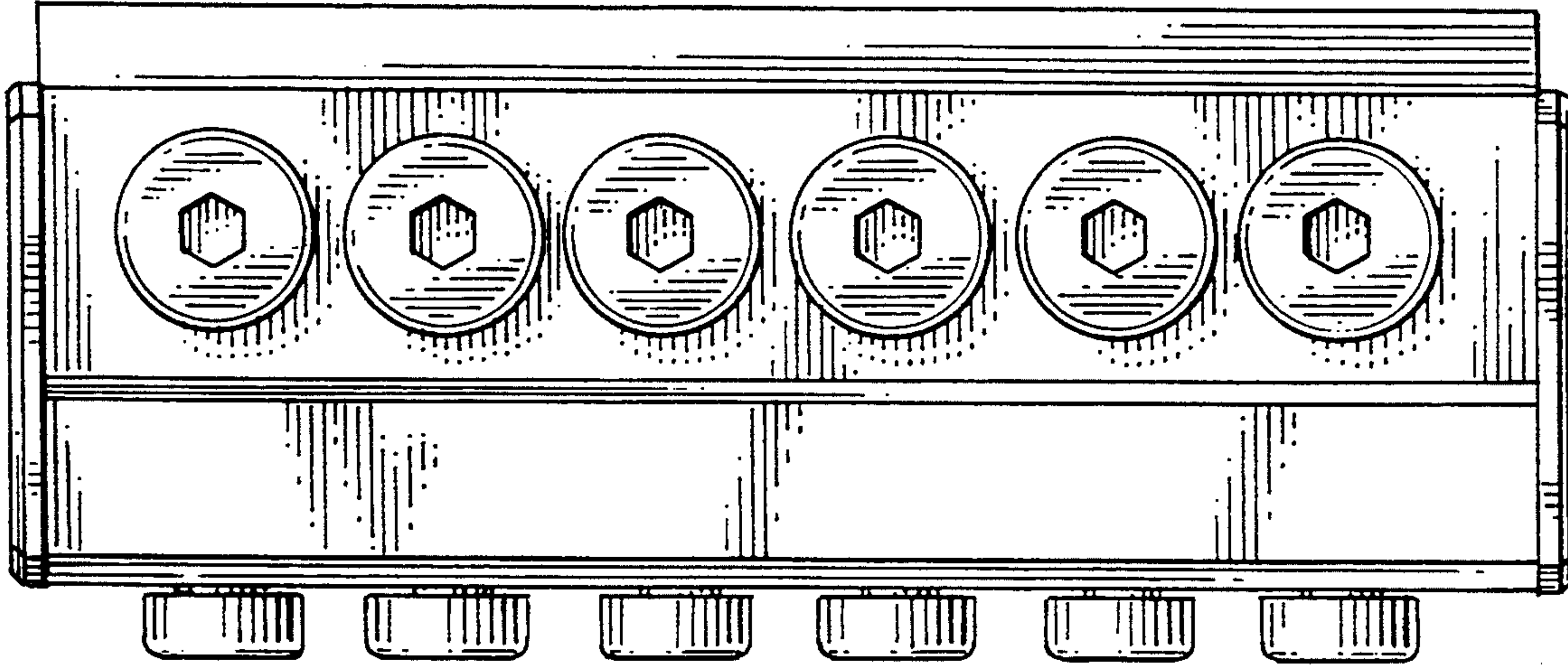


Fig. 7

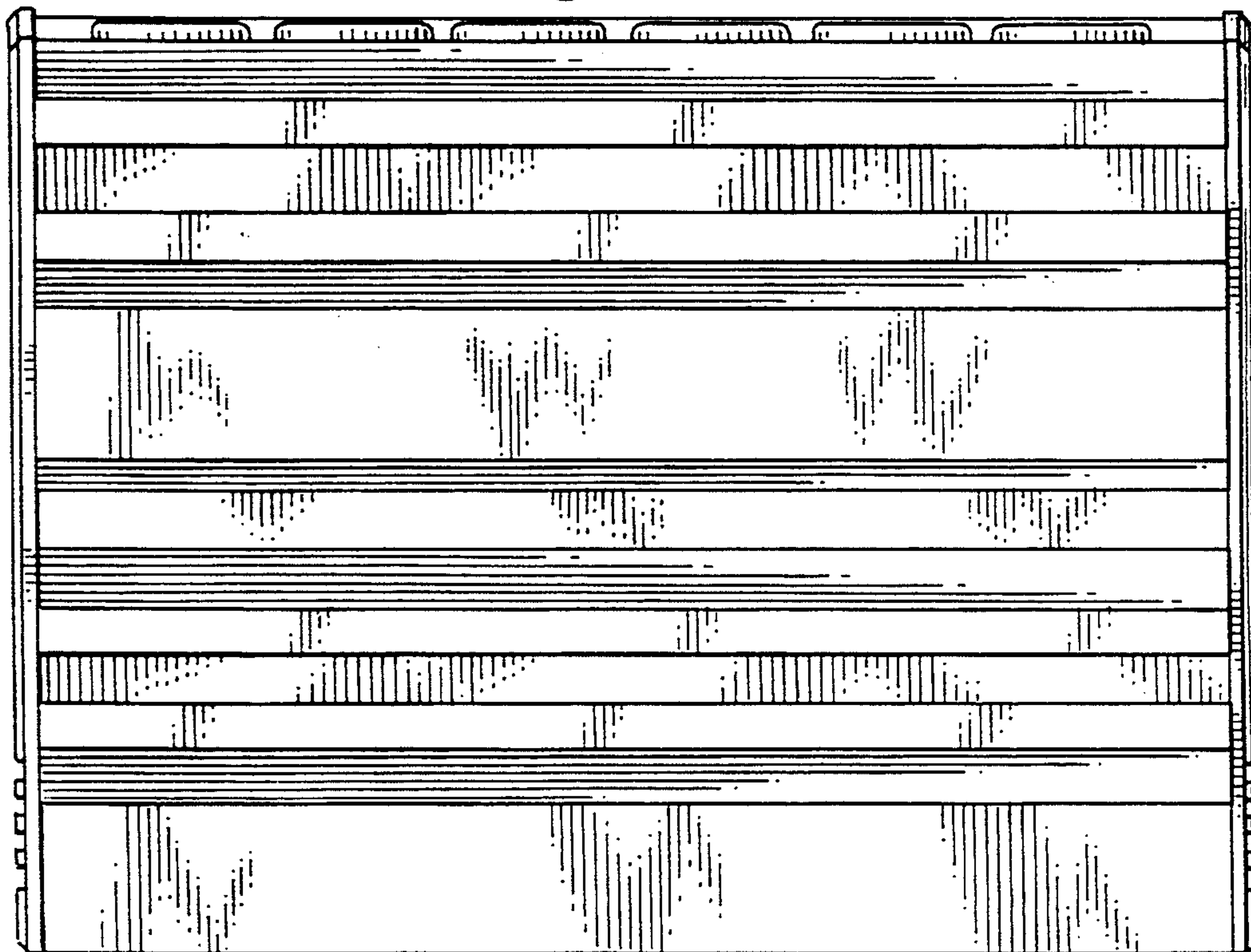


Fig. 8

