



US00D349652S

**United States Patent** [19]  
**Grant, Jr.**

[11] **Patent Number: Des. 349,652**  
[45] **Date of Patent: \*\* Aug. 16, 1994**

[54] **COMBINATION CLOCK AND SMOKE  
DETECTOR**

4,090,178 5/1978 Norris ..... 340/628  
4,796,015 1/1989 Admire ..... 340/628  
4,949,077 8/1990 Mbuthia ..... 340/628

[76] Inventor: **John Grant, Jr.**, 3507 Hikes La.,  
Louisville, Ky. 40218

*Primary Examiner*—Nelson C. Holtje  
*Attorney, Agent, or Firm*—Terry M. Gernstein

[\*\*] Term: **14 Years**

[57] **CLAIM**

[21] Appl. No.: **806,448**

The ornamental design for a combination clock and  
smoke detector, as shown and described.

[22] Filed: **Dec. 13, 1991**

[52] U.S. Cl. .... **D10/2; D10/106**

[58] Field of Search ..... 340/628-630,  
340/693, 579; 368/10, 11; D10/1-40, 122-132

**DESCRIPTION**

[56] **References Cited**

**U.S. PATENT DOCUMENTS**

D. 102,763	1/1937	Rainbault	.....	D10/23
D. 208,802	10/1967	Layton	.....	D10/23 X
D. 262,952	2/1982	Hanig	.....	D10/106
D. 279,769	7/1985	Thornton	.....	D10/106
D. 319,022	8/1991	Hirota	.....	D10/23 X

FIG. 1 is a perspective view of the combination clock and  
smoke detector embodying the design of the pres-  
ent invention;

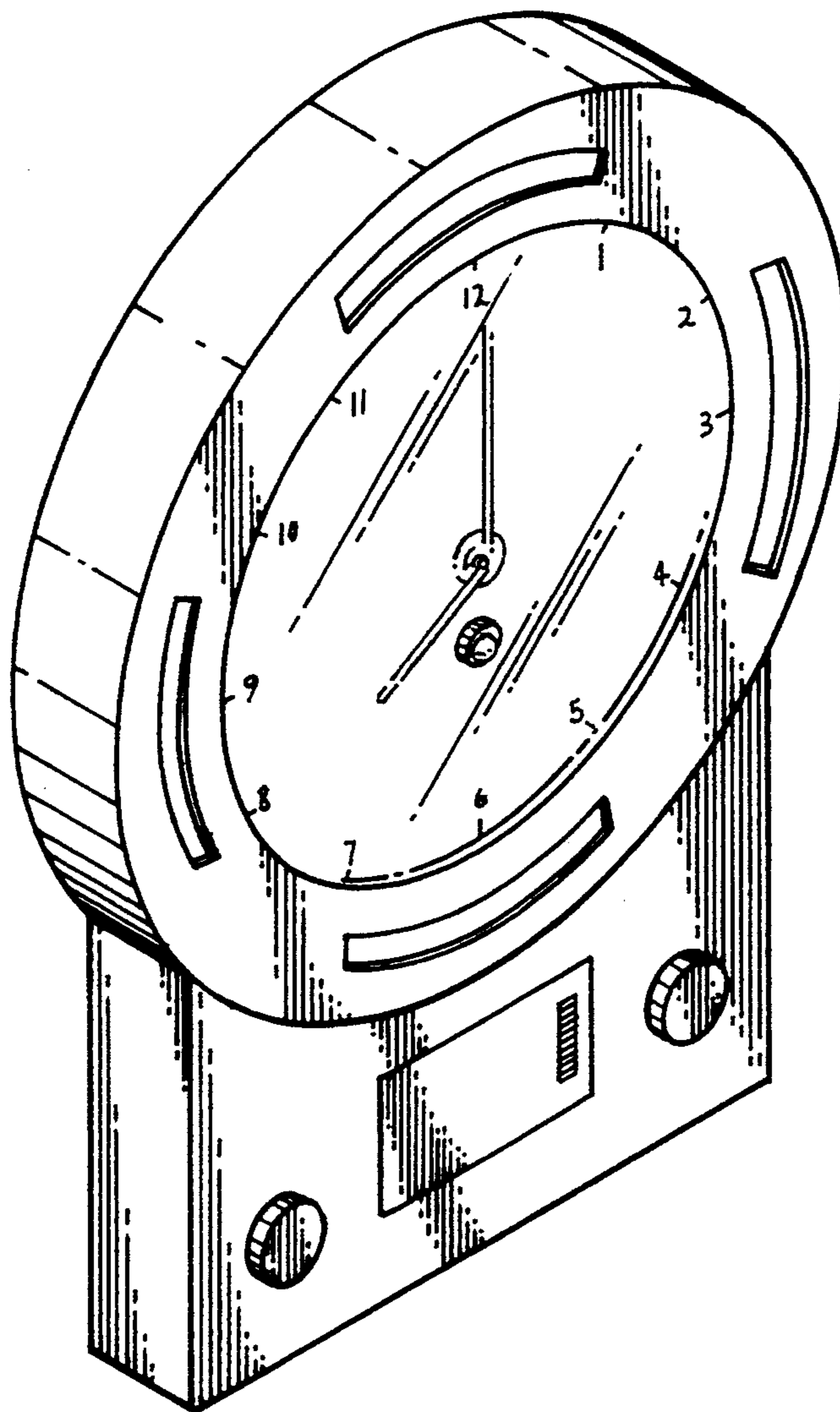
FIG. 2 is a side elevational view thereof, the side oppo-  
site being a mirror image of the side shown in FIG. 2;

FIG. 3 is a rear elevational view thereof;

FIG. 4 is a front elevational view thereof;

FIG. 5 is a top plan view thereof; and,

FIG. 6 is a bottom view thereof.



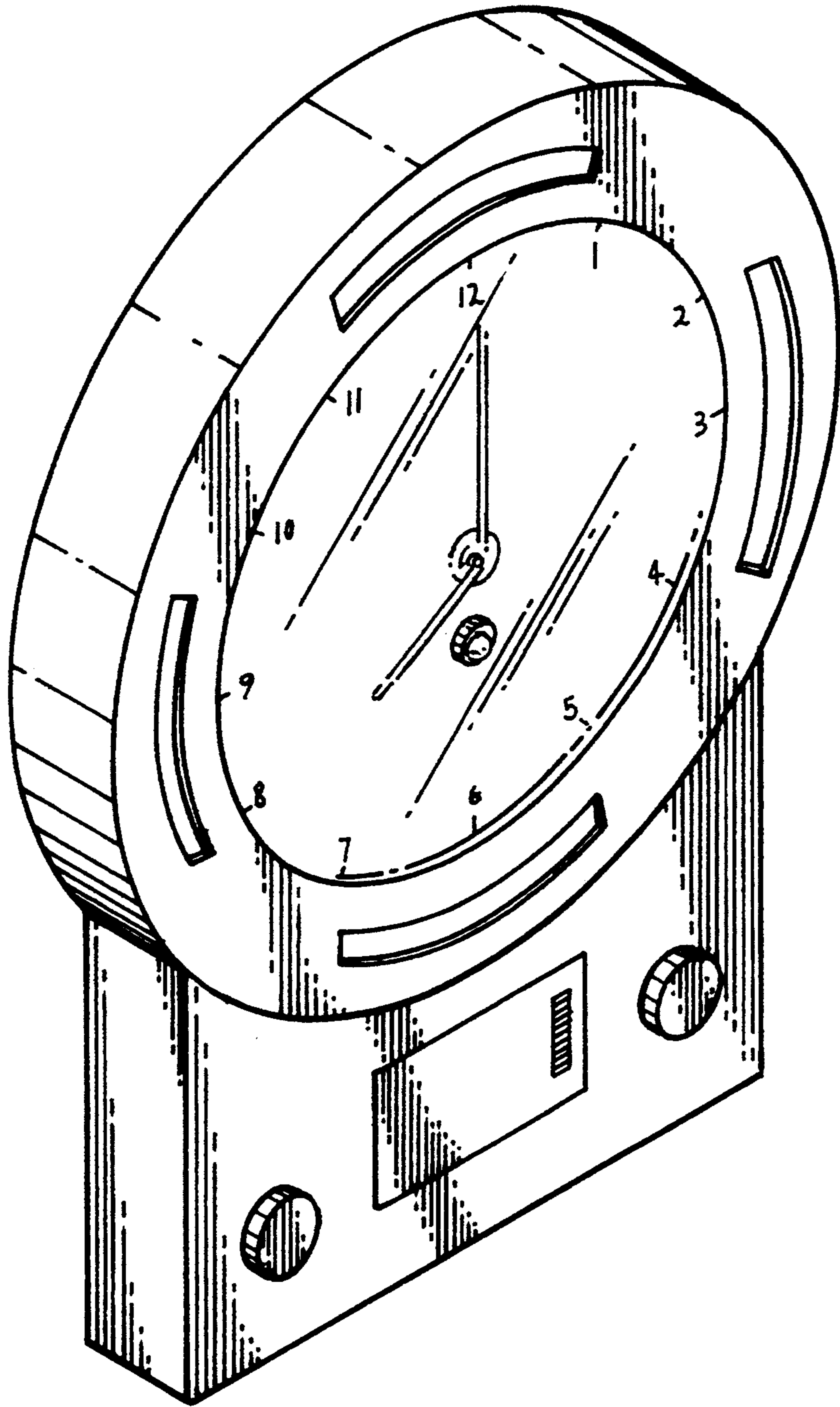


FIG. 1

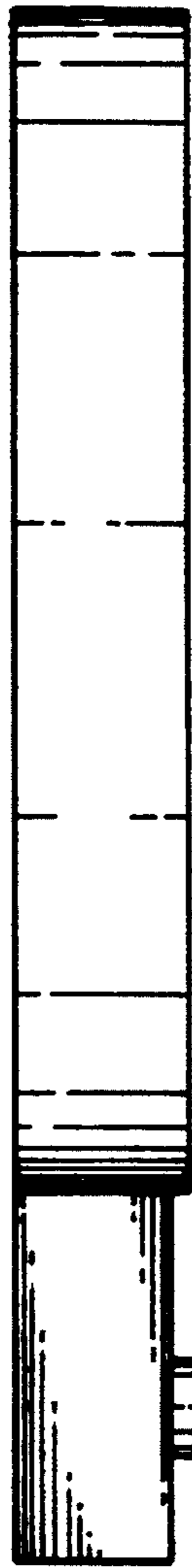


FIG. 2



FIG. 5

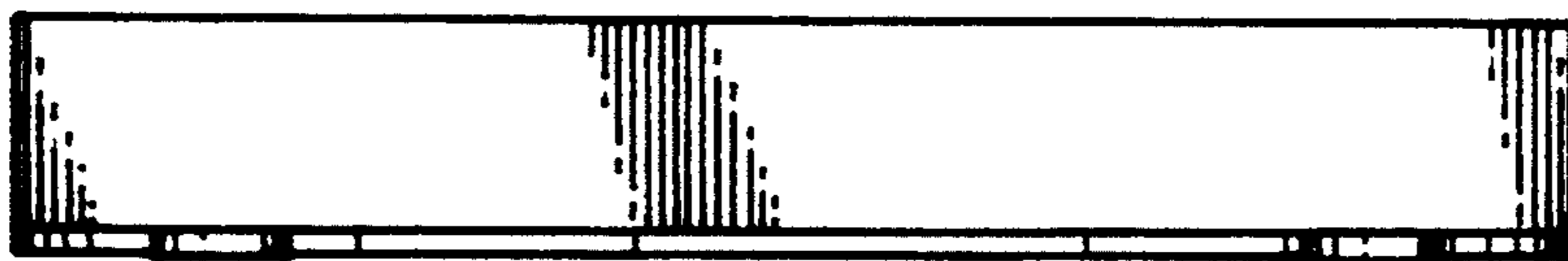


FIG. 6

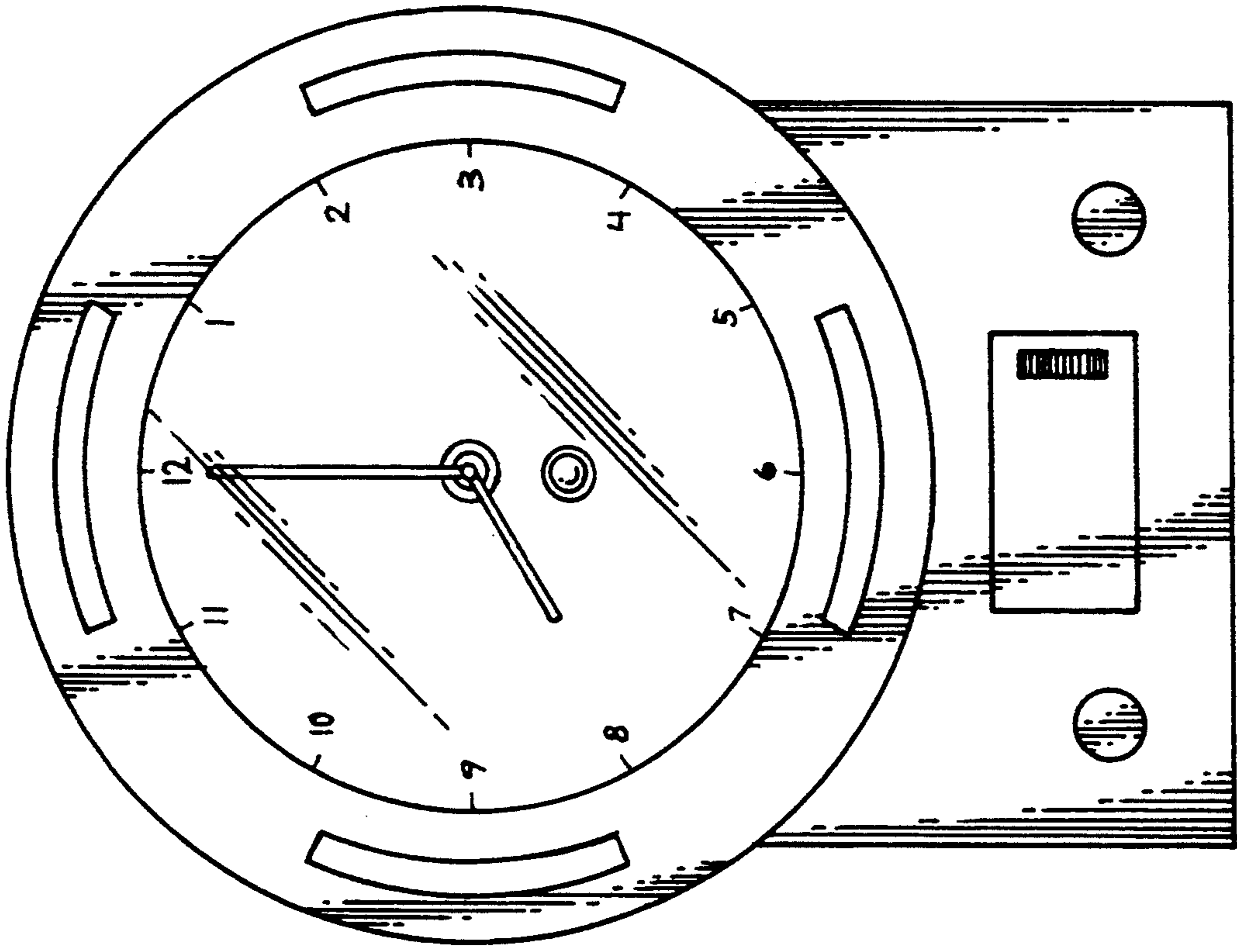


FIG. 4

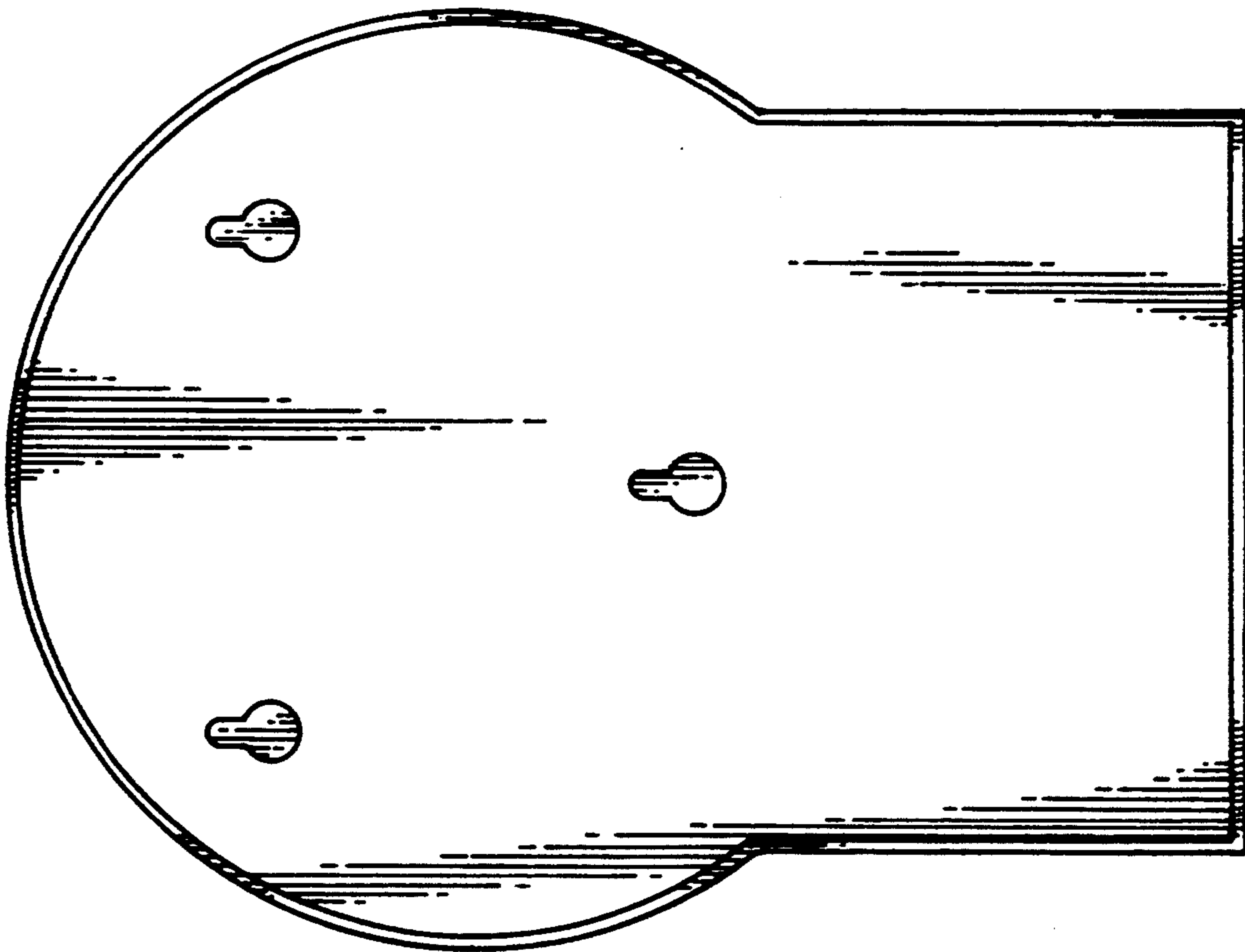


FIG. 3