



US00D349649S

United States Patent [19]

[11] Patent Number: **Des. 349,649**

Hanna

[45] Date of Patent: **** Aug. 16, 1994**

[54] **DISPENSER ASSEMBLY**

[75] Inventor: **Emmanuel A. Hanna**, Lakeview Terrace, Calif.

[73] Assignee: **Bobrick Washroom Equipment, Inc.**, North Hollywood, Calif.

[**] Term: **14 Years**

[21] Appl. No.: **795,079**

[22] Filed: **Nov. 19, 1991**

[52] U.S. Cl. **D9/448; D6/542**

[58] Field of Search **D9/434-440, D9/447-449, 454, 504; D6/542; 222/153, 182, 204, 209, 383-384, 400.5, 401, 402.13; D23/255**

[56] **References Cited**

U.S. PATENT DOCUMENTS

D. 98,976	3/1936	Bernhardt	D9/448
D. 202,095	8/1965	Kelly	D23/255
987,970	3/1911	Earl	222/321
1,362,077	12/1920	Bobrick	D6/542 X
2,657,834	11/1953	Bacheller	222/321
3,128,018	4/1964	Corsette et al.	222/321
4,375,266	3/1983	Magers	222/384

OTHER PUBLICATIONS

Bobrick Parts List, Model B-822, Part 822-23.

Primary Examiner—Alan P. Douglas

Assistant Examiner—Robert M. Spear

Attorney, Agent, or Firm—Harris, Wallen, MacDermott & Tinsley

[57] **CLAIM**

The ornamental design for a dispenser assembly, as shown and described.

DESCRIPTION

FIG. 1 is a perspective view of the dispenser assembly of the present invention shown mounted on a counter; FIG. 2 is a left side view of the dispenser assembly of FIG. 1, with the right side view being a mirror image thereof;

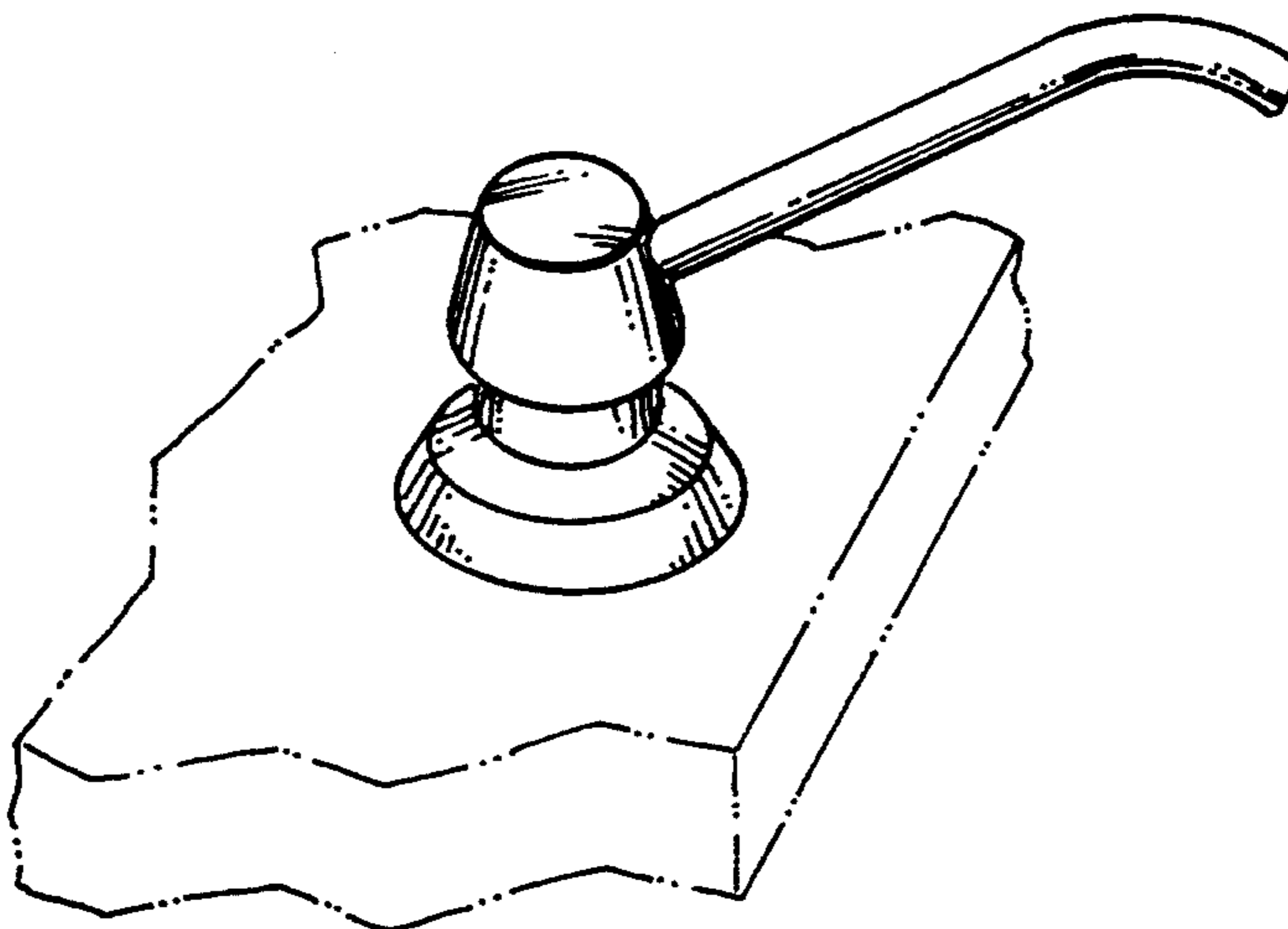
FIG. 3 is a top view thereof;

FIG. 4 is a bottom view thereof;

FIG. 5 is a frontview thereof; and,

FIG. 6 is a rear view thereof.

The broken line showing of a counter in FIGS. 1, 2, 3, 5 and 6 is for illustrative purposes only and forms no part of the claimed design.



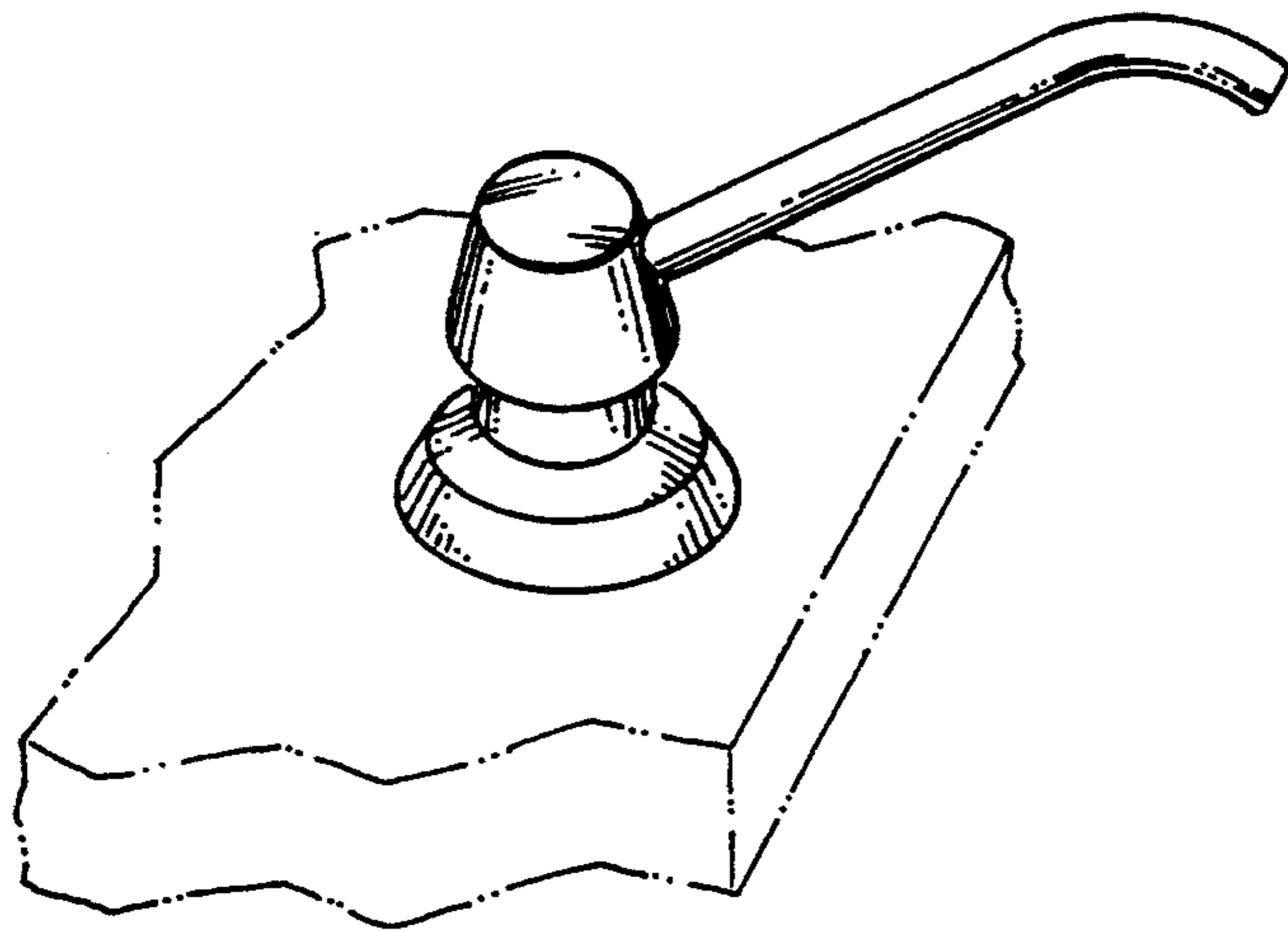


FIG. 1

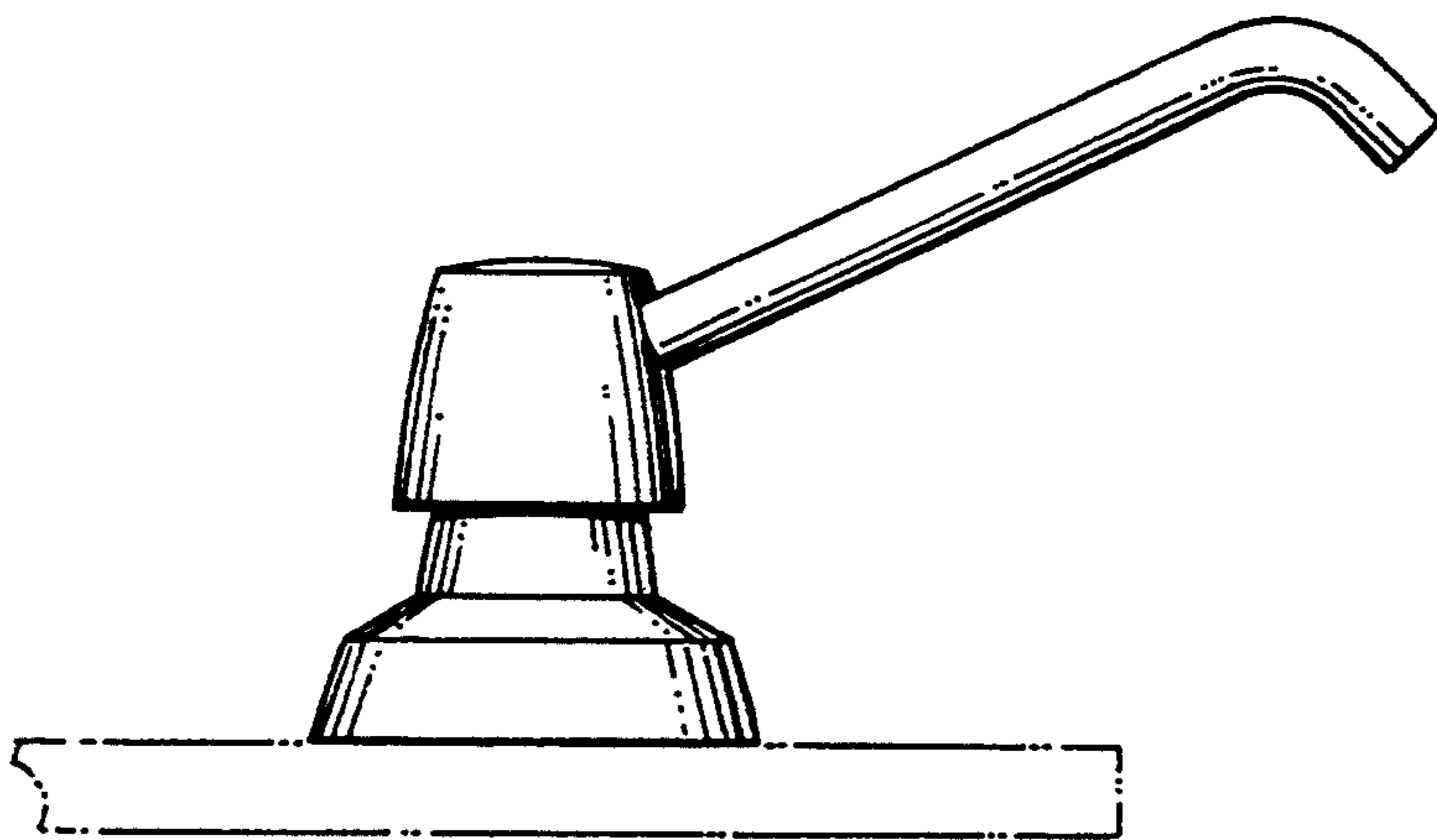


FIG. 2

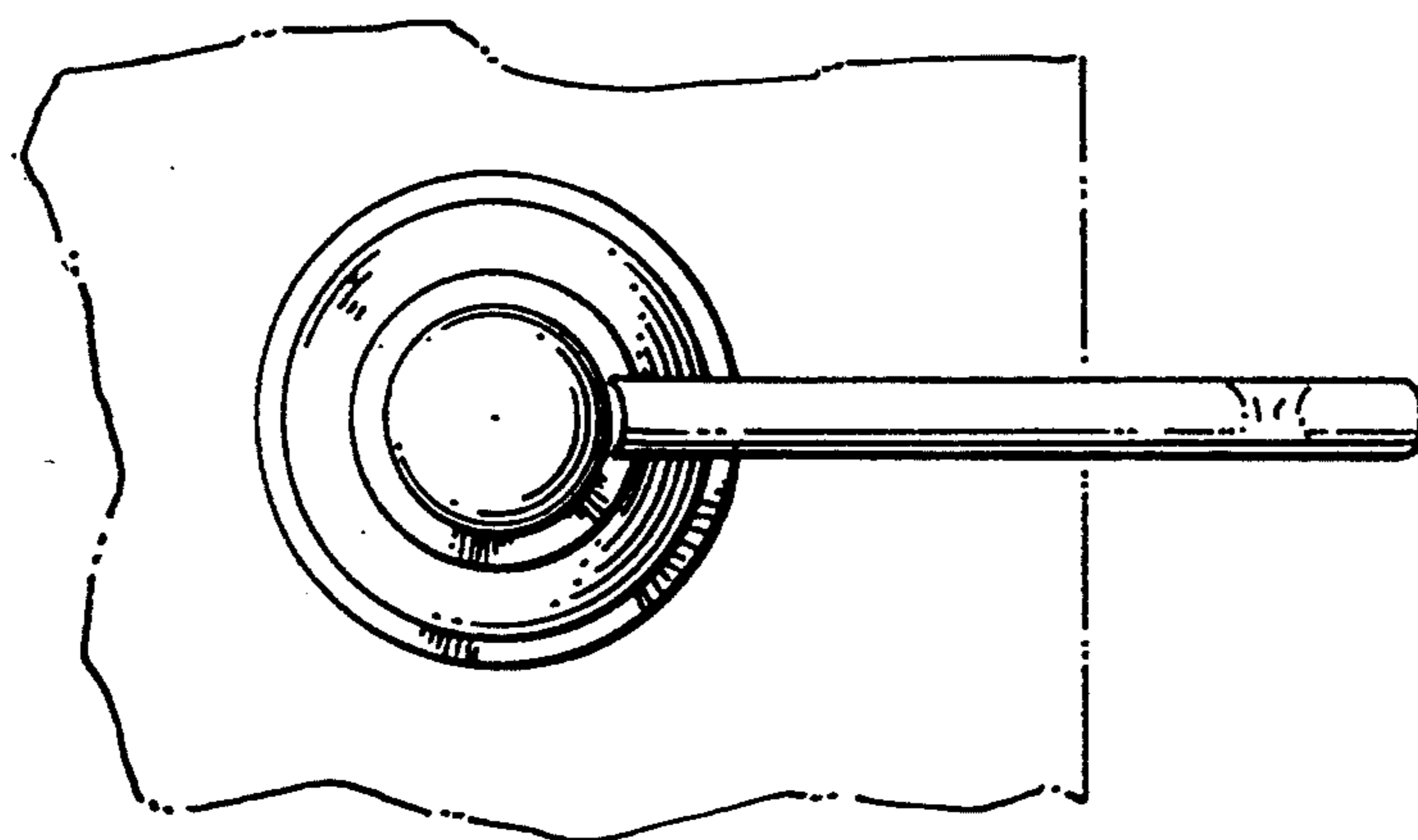


FIG. 3

FIG. 4

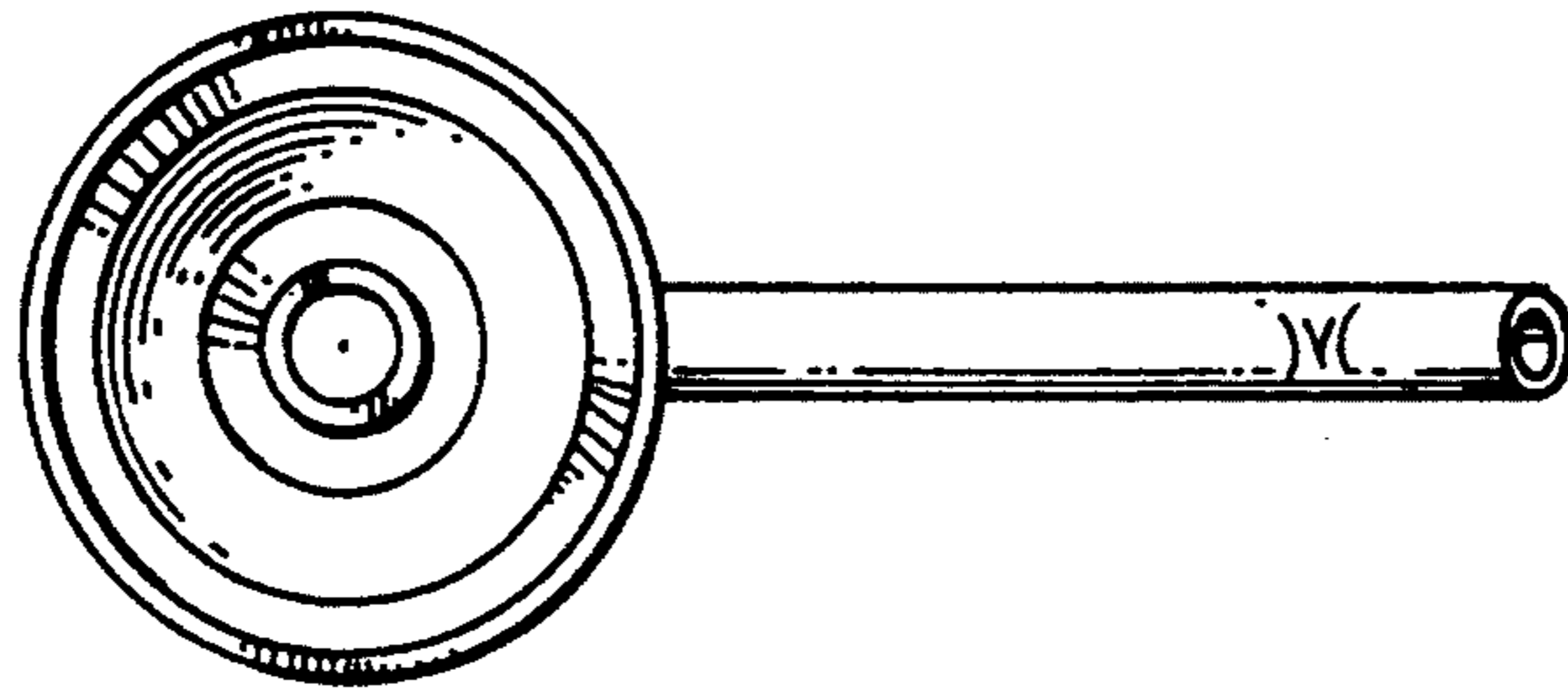


FIG. 5

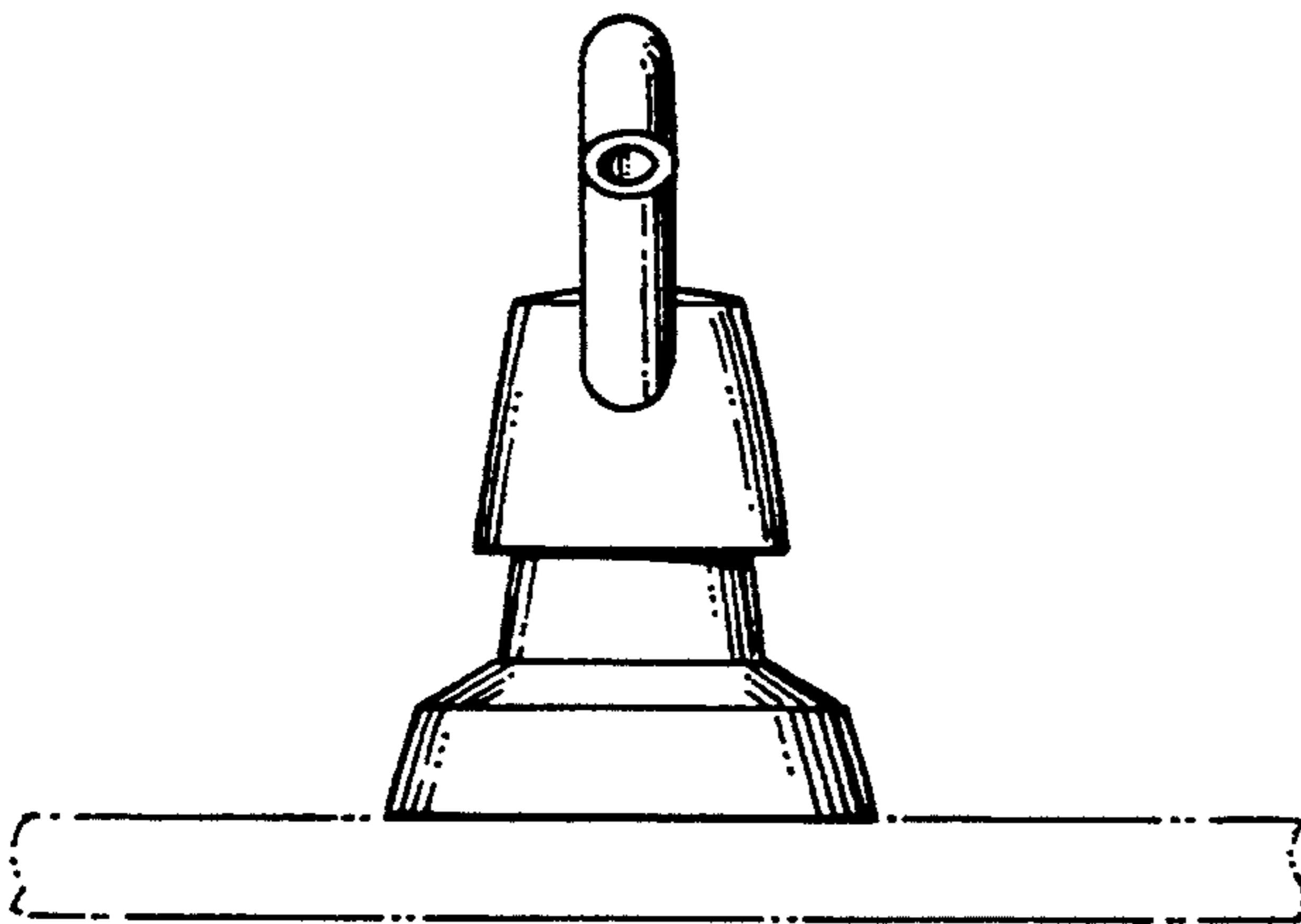


FIG. 6

