



US00D349647S

United States Patent [19]
Moffitt

[11] **Patent Number: Des. 349,647**
[45] **Date of Patent: ** Aug. 16, 1994**

[54] **CONTAINER CAP**
[75] **Inventor: Robert C. Moffitt, Laguna Hills, Calif.**
[73] **Assignee: The Water Factory, Irvine, Calif.**
[*] **Notice: The portion of the term of this patent subsequent to Nov. 16, 2006 has been disclaimed.**
[**] **Term: 14 Years**
[21] **Appl. No.: 217,273**
[22] **Filed: Jul. 11, 1988**
[52] **U.S. Cl. D9/435; D9/447**
[58] **Field of Search D9/435, 447, 448, 355; 215/316, 100 A**

D. 183,757 10/1958 Libit D9/447
D. 200,182 1/1965 Crowell et al. D9/447
D. 230,691 3/1974 Beckman D9/447
D. 306,649 3/1990 Lpicola et al. D9/355
2,530,999 11/1950 Schuler 215/316

Primary Examiner—Bernard Ansher
Assistant Examiner—Dominic Simone
Attorney, Agent, or Firm—Leonard Tachner

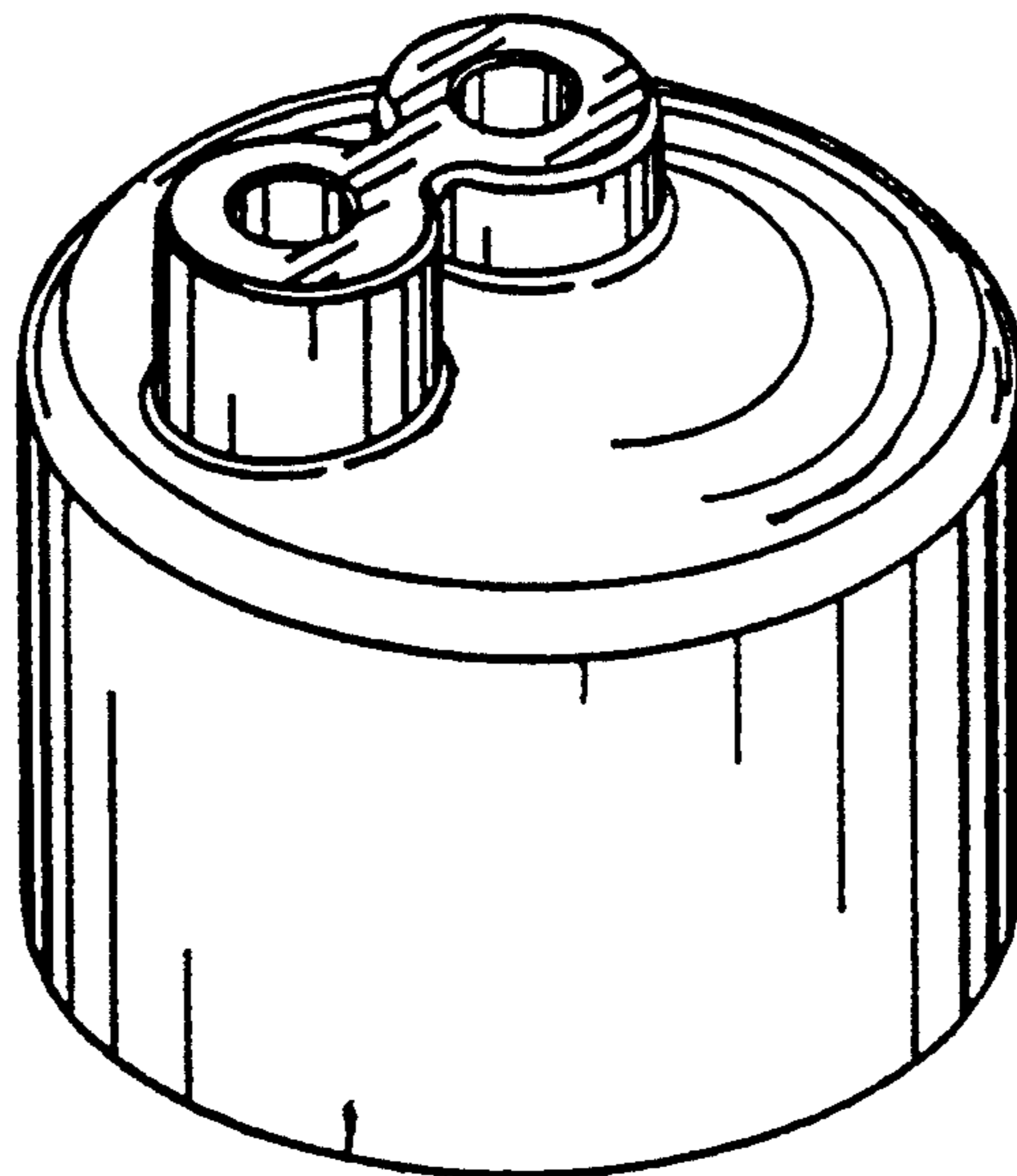
[57] **CLAIM**

The ornamental design for a container cap, as shown and described.

DESCRIPTION

FIG. 1 is a perspective view of a container cap showing my new design;
FIG. 2 is a top elevational view thereof;
FIG. 3 is a bottom elevational view thereof;
FIG. 4 is a right side elevational view thereof, the left side being a mirror image;
FIG. 5 is a rear elevational view thereof; and,
FIG. 6 is a front elevational view thereof.

[56] **References Cited**
U.S. PATENT DOCUMENTS
D. 143,289 12/1945 Elsas et al. D9/447



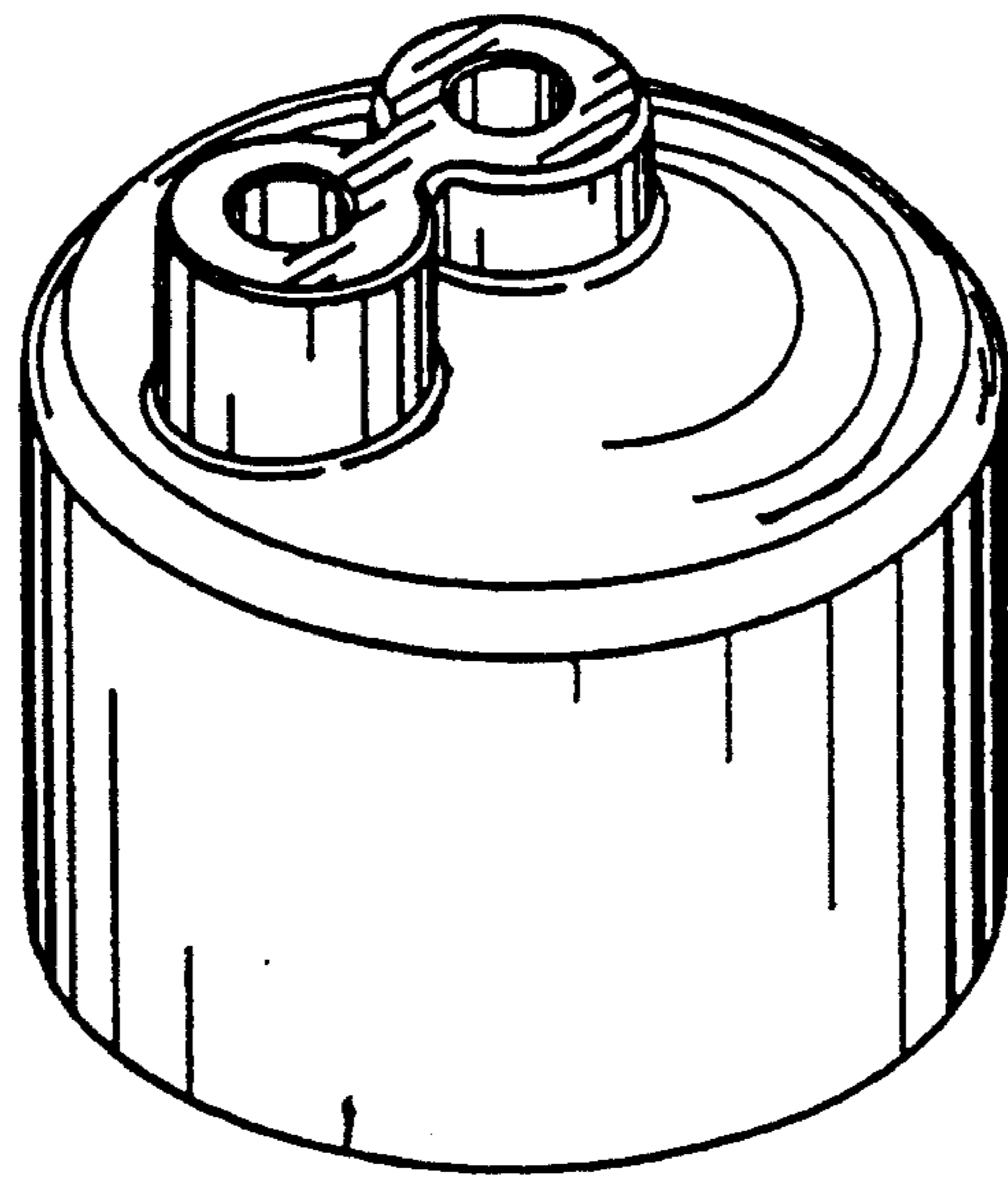


FIG. 1

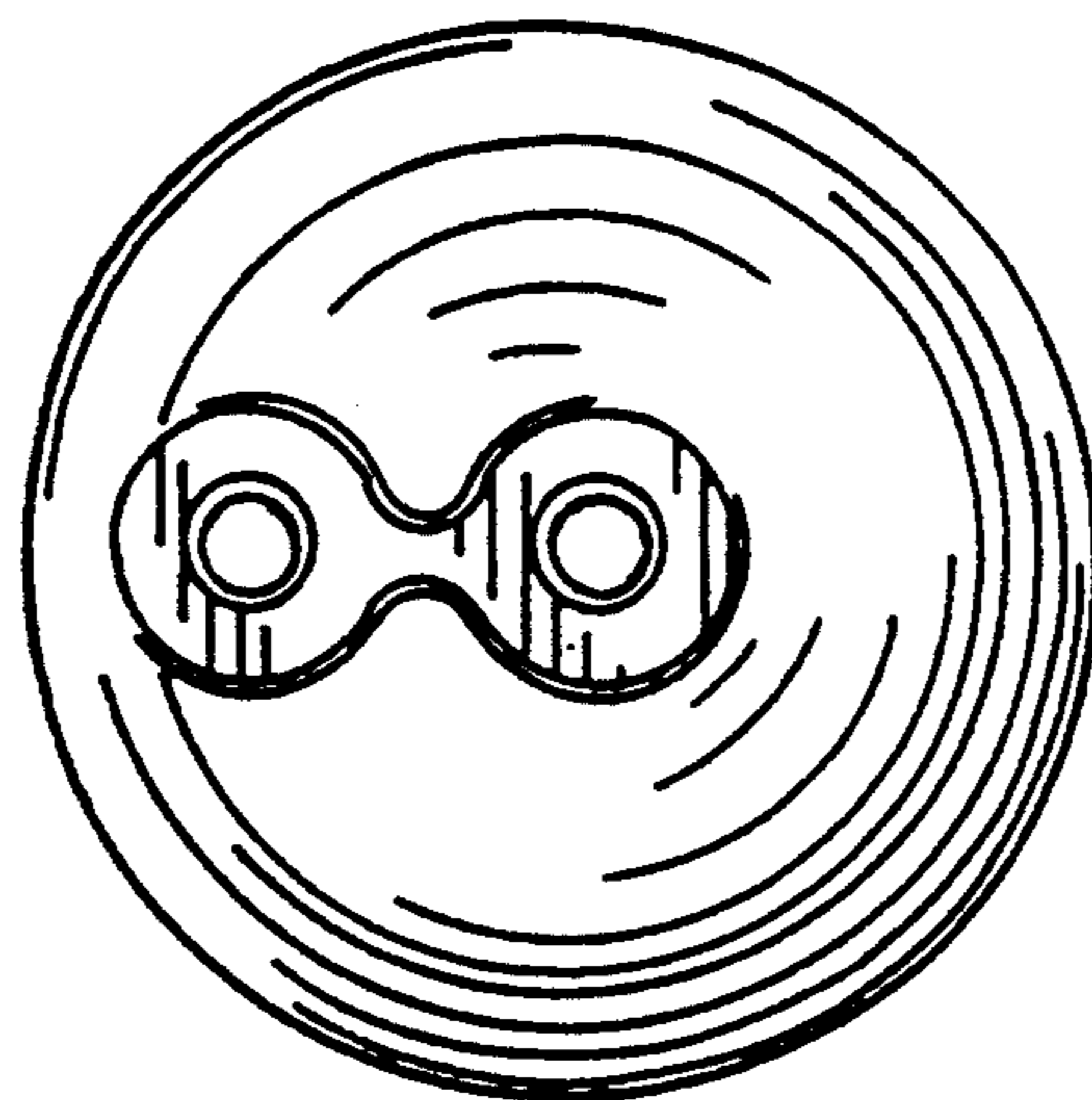


FIG. 2

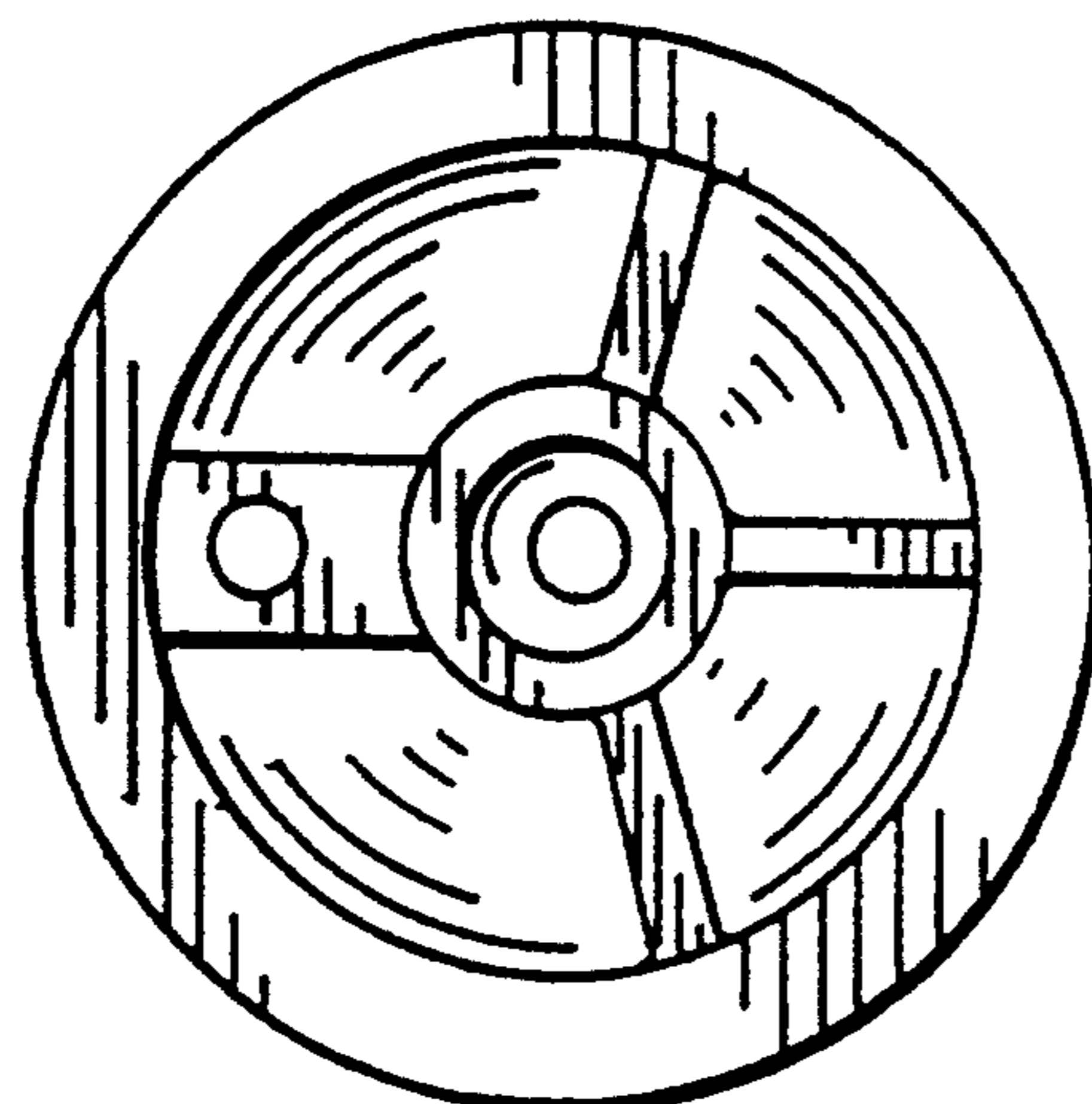


FIG. 3

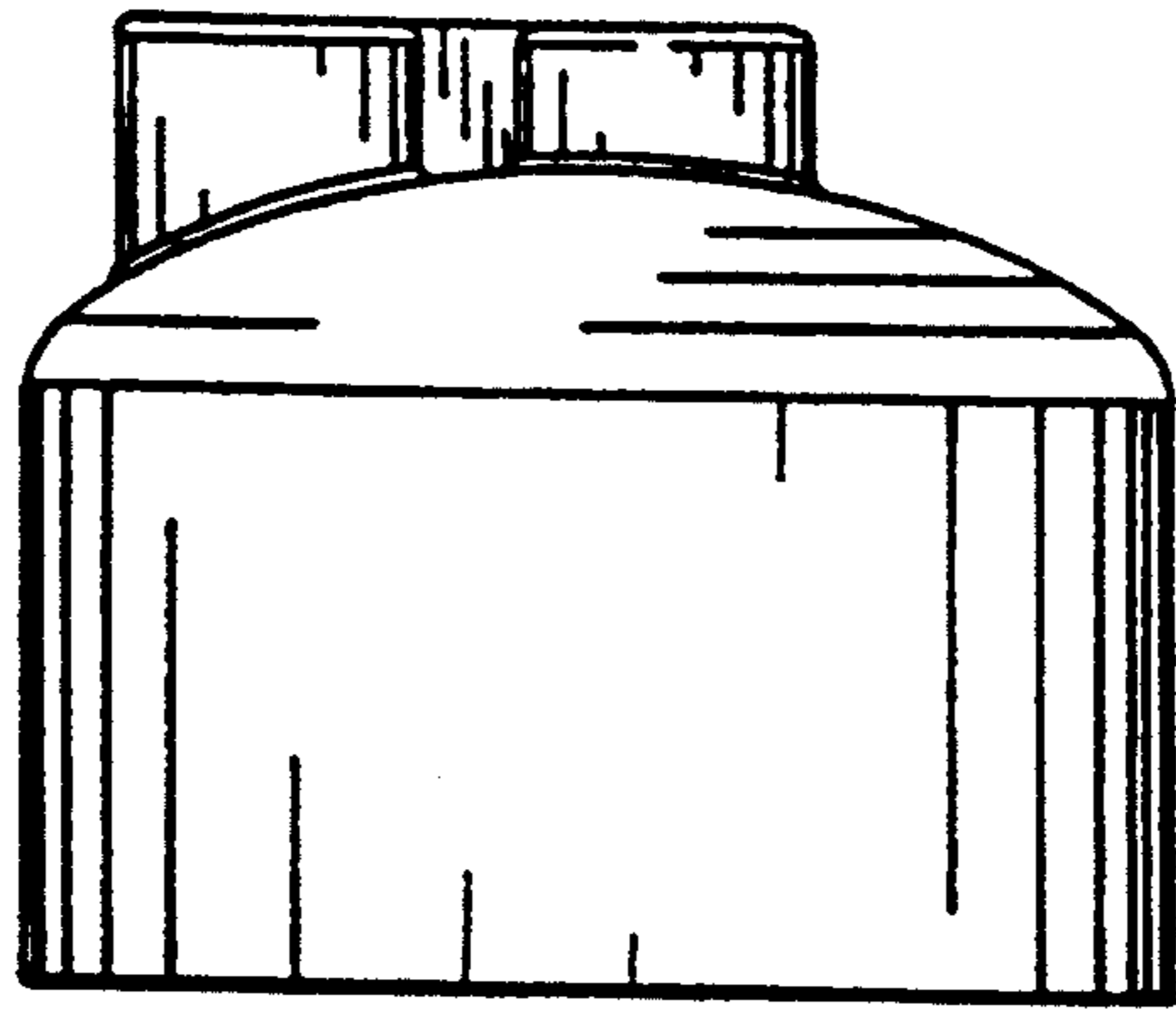


FIG. 4

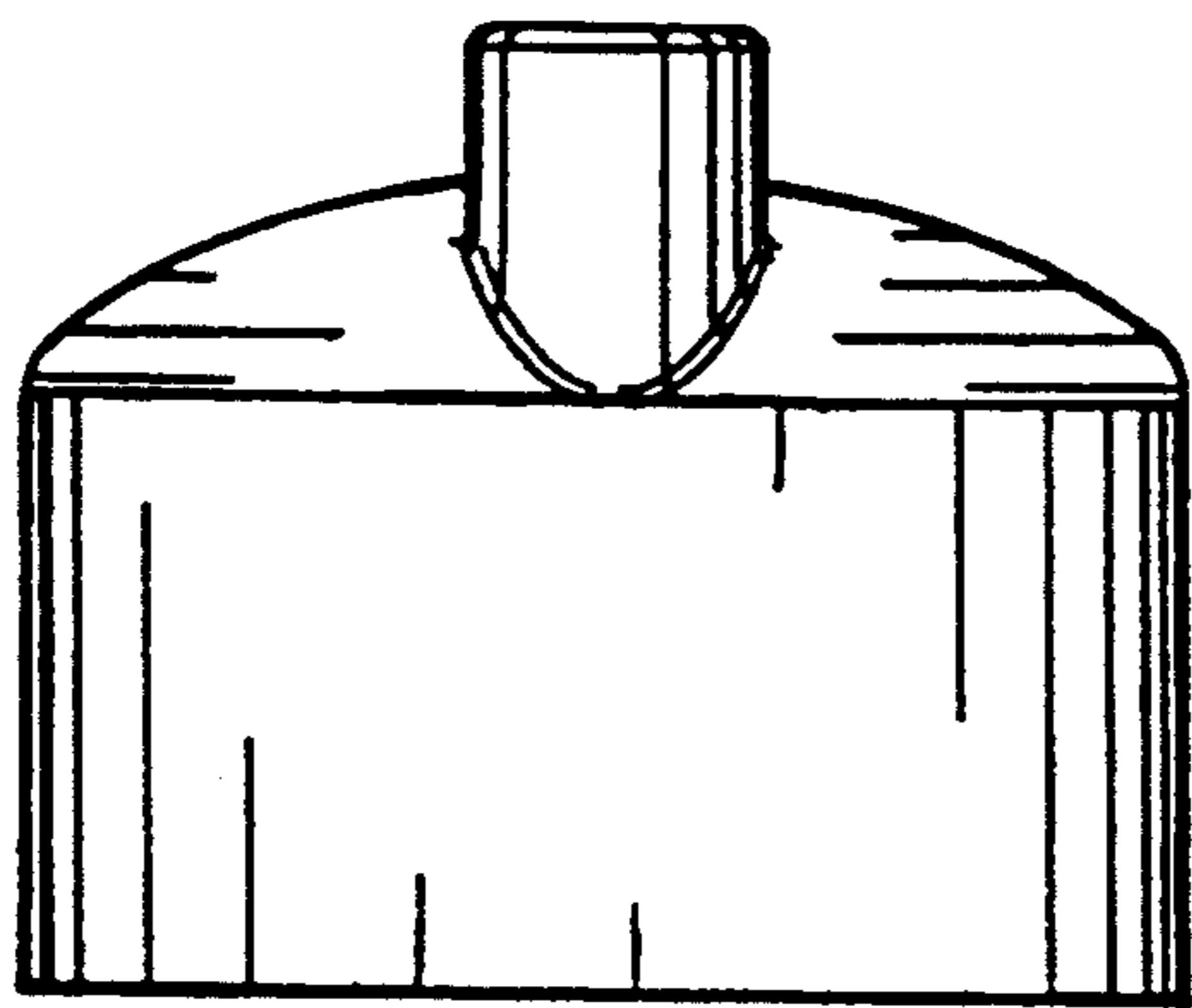


FIG. 5

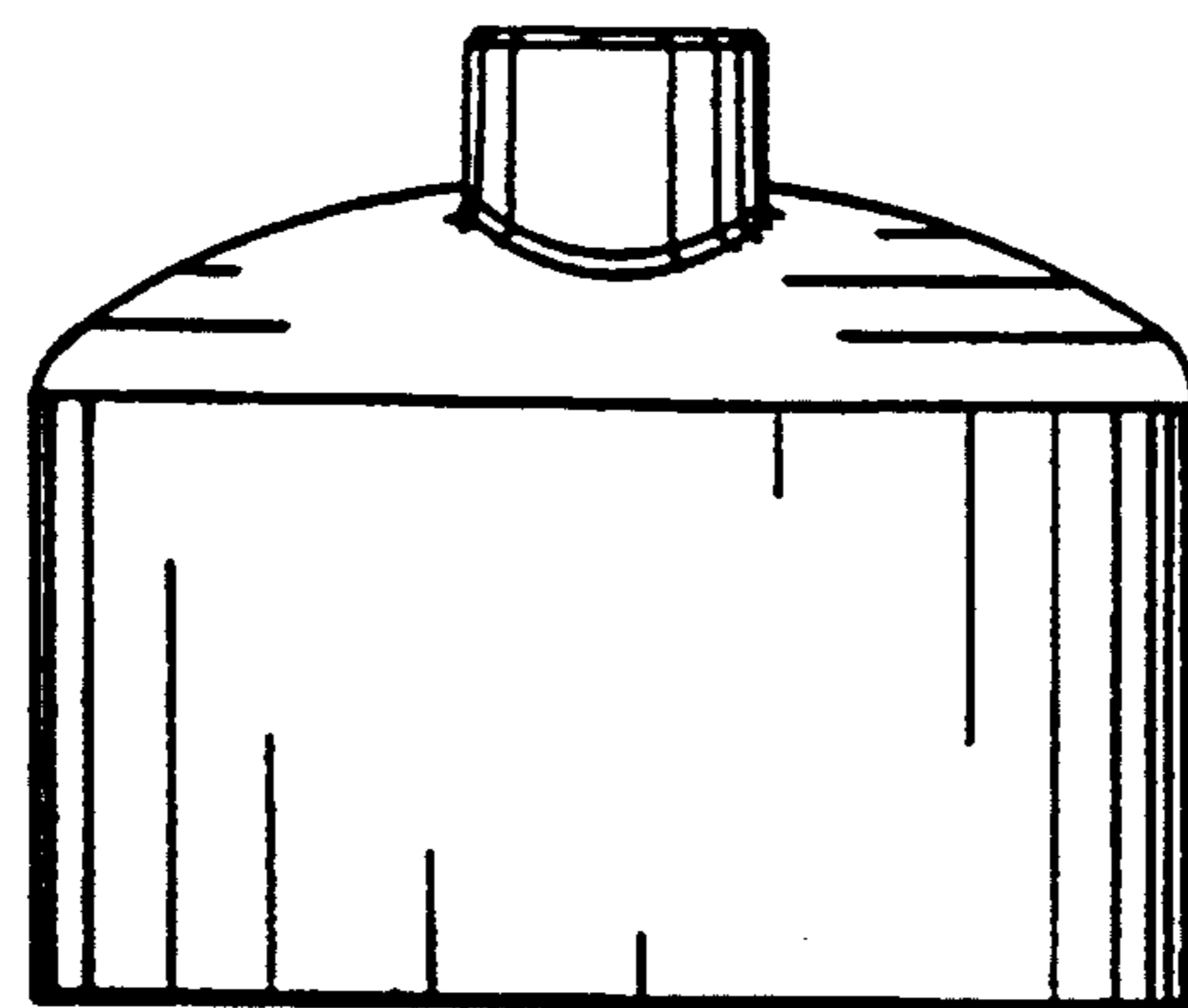


FIG. 6