



US00D349645S

United States Patent [19]

van Loo

[11] Patent Number: **Des. 349,645**

[45] Date of Patent: **** Aug. 16, 1994**

- [54] **CARTON WITH A SLIDING LID**
- [75] Inventor: **Brino A. van Loo**, Sassenheim, Netherlands
- [73] Assignee: **Stadium Design B.V.**, Hillegom, Netherlands
- [**] Term: **14 Years**
- [21] Appl. No.: **3,900**
- [22] Filed: **Jan. 21, 1993**
- [30] **Foreign Application Priority Data**
 Jul. 20, 1992 [XB] Benelux 22706-03
- [52] U.S. Cl. **D9/422; D9/418; D9/432**
- [58] **Field of Search** D9/418, 432, 433, 423, D9/424, 346, 422; 206/45.31, 45.34, 44 R, 45.15; 229/162, 220, 125.12, 121, 122.2

- [56] **References Cited**
- U.S. PATENT DOCUMENTS**
- D. 276,964 1/1985 Boland, II D9/341 X
- D. 304,739 11/1989 Ukieu D9/422 X
- D. 320,557 10/1991 Schuster D9/418

1,951,274	3/1934	Denman	229/220	X
3,110,436	11/1963	Wagner	229/125.12	X
3,695,505	10/1972	Wolf	29/120	X
4,094,456	6/1978	Raccaforte	229/125.12	X

FOREIGN PATENT DOCUMENTS

0027162	of 1909	United Kingdom	229/125.12
0356800	9/1931	United Kingdom	229/125.12

Primary Examiner—Prabhakar G. Deshmukh
Attorney, Agent, or Firm—Foley & Lardner

[57] CLAIM

The ornamental design of a carton with a sliding lid, as shown and described.

DESCRIPTION

FIG. 1 is a perspective view of a carton with a sliding lid showing my new design;
 FIG. 2 is a top plan view thereof with the lid closed;
 FIG. 3 is a top plan view thereof with the lid open;
 FIG. 4 is a side elevational view thereof, the opposite side being a mirror image thereof;
 FIG. 5 is a front elevational view thereof, the rear being a mirror image thereof; and,
 FIG. 6 is a bottom plan view thereof.

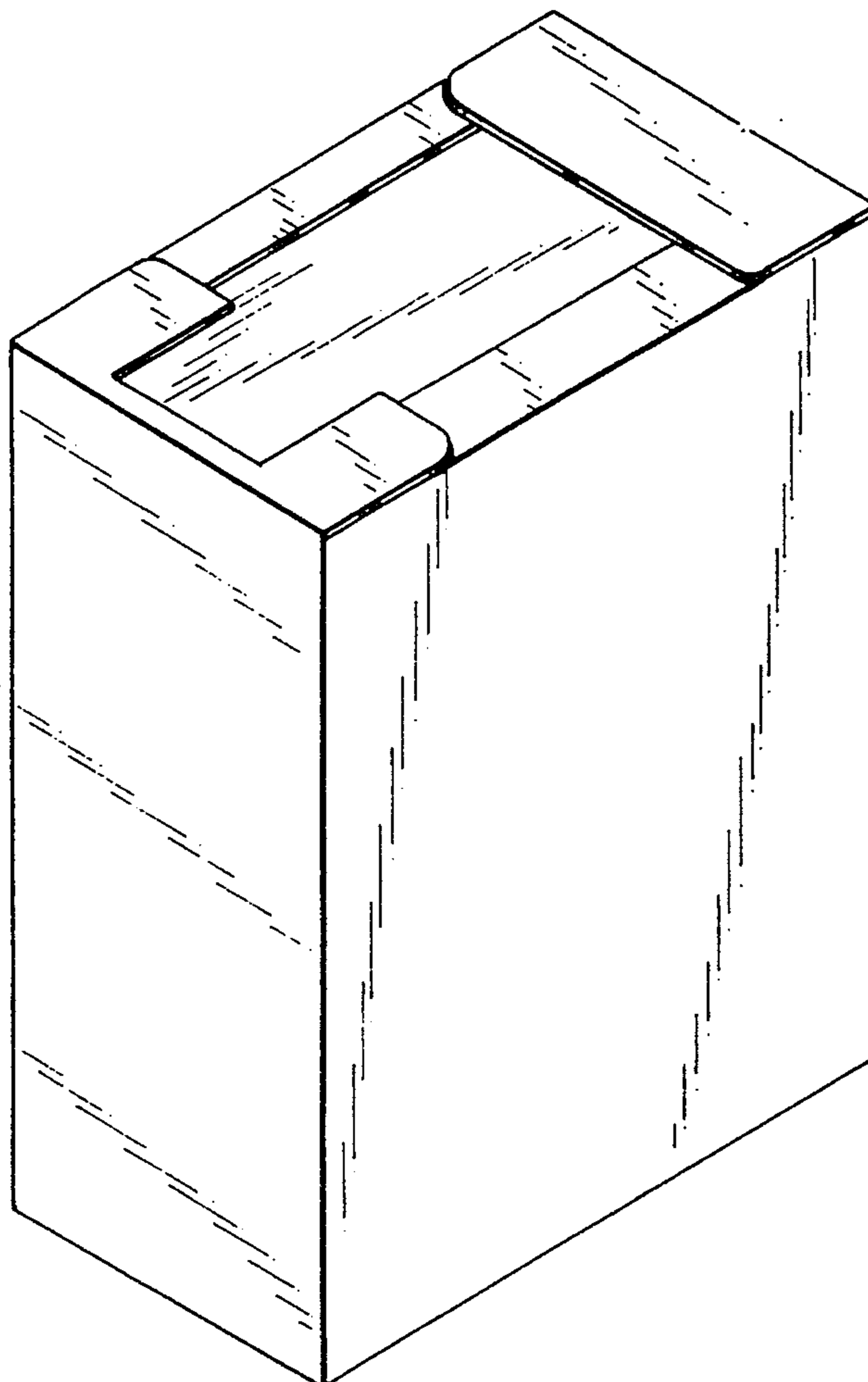


FIG. 1

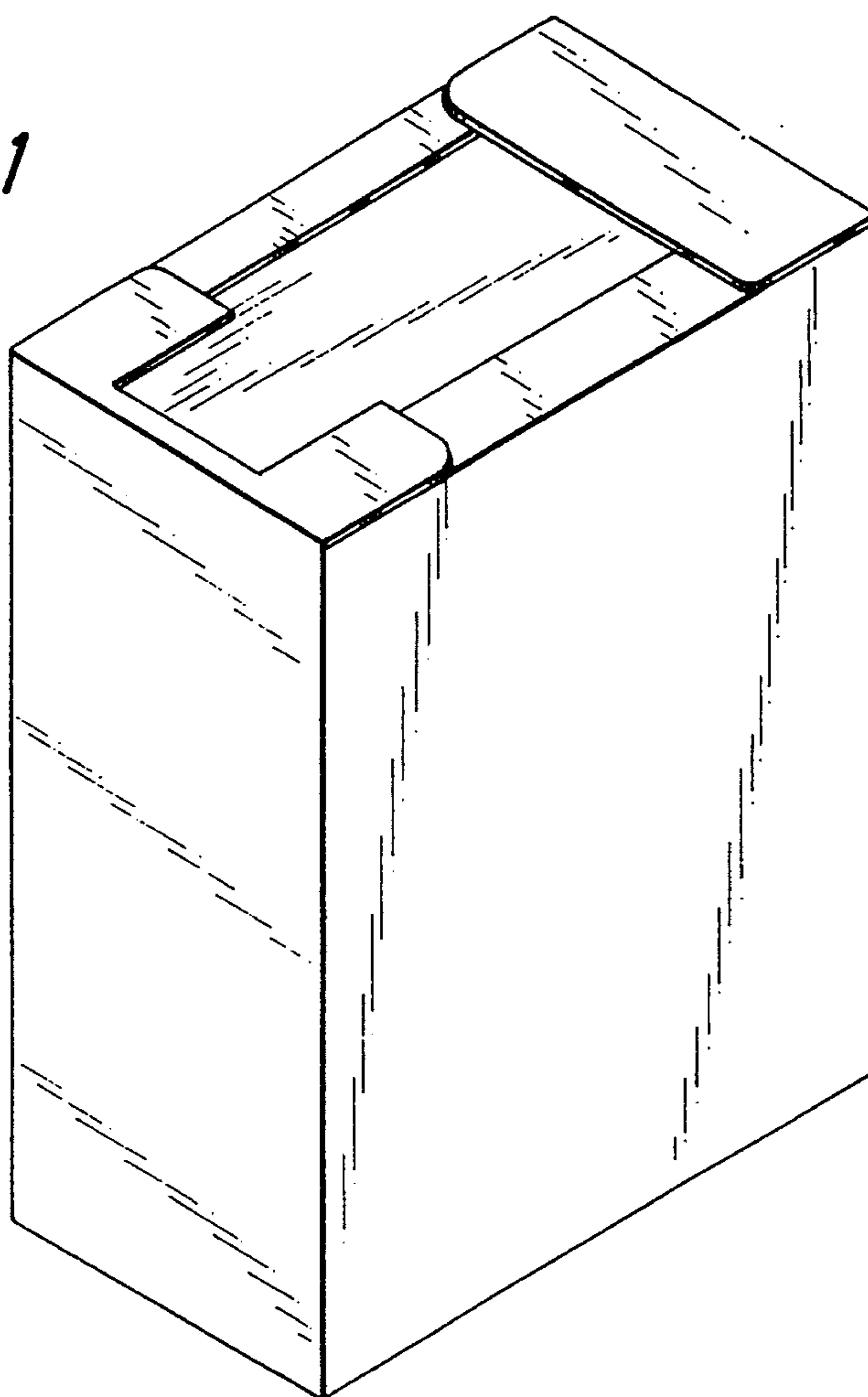


FIG. 2

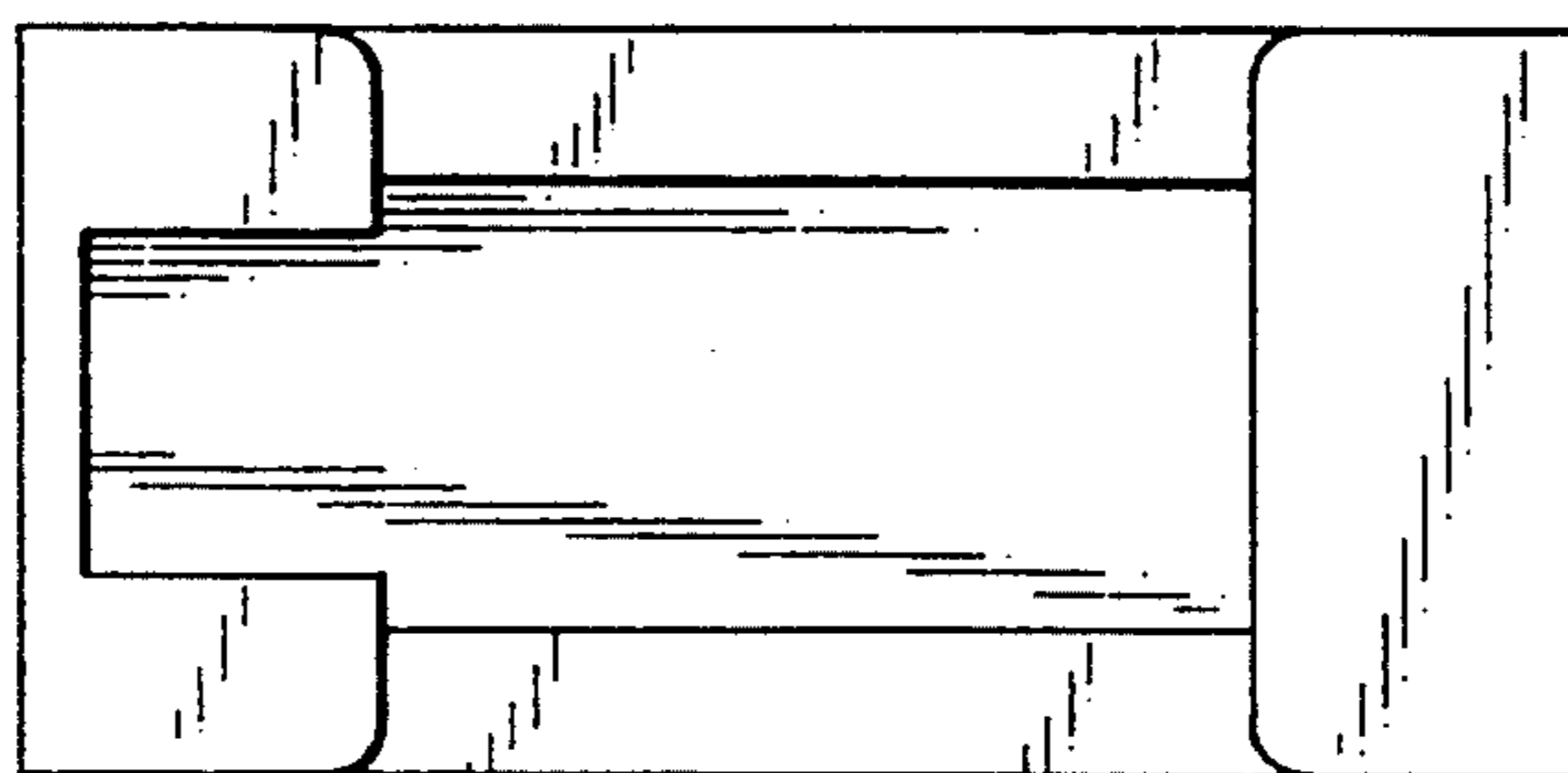


FIG. 3

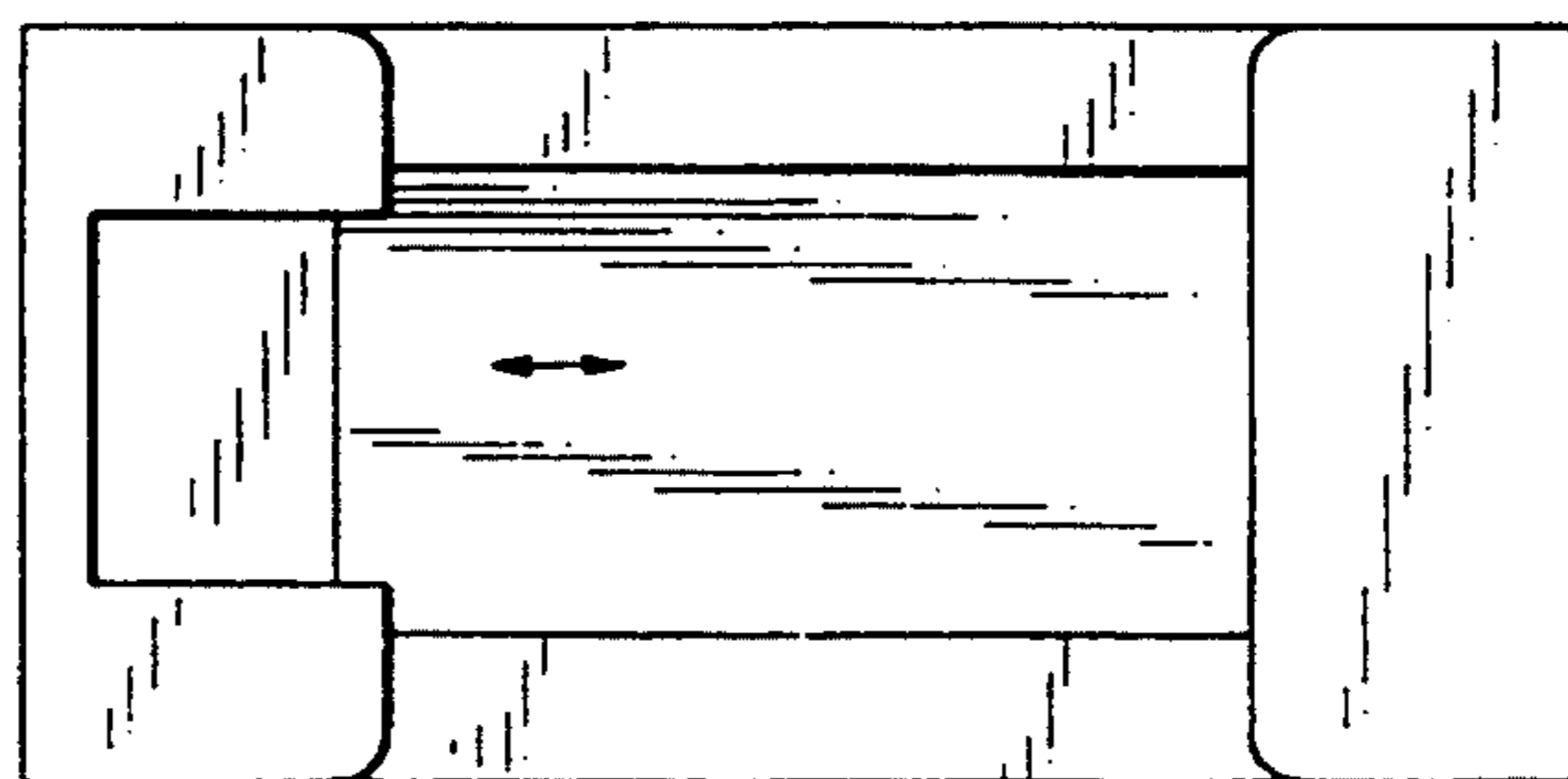


FIG. 4

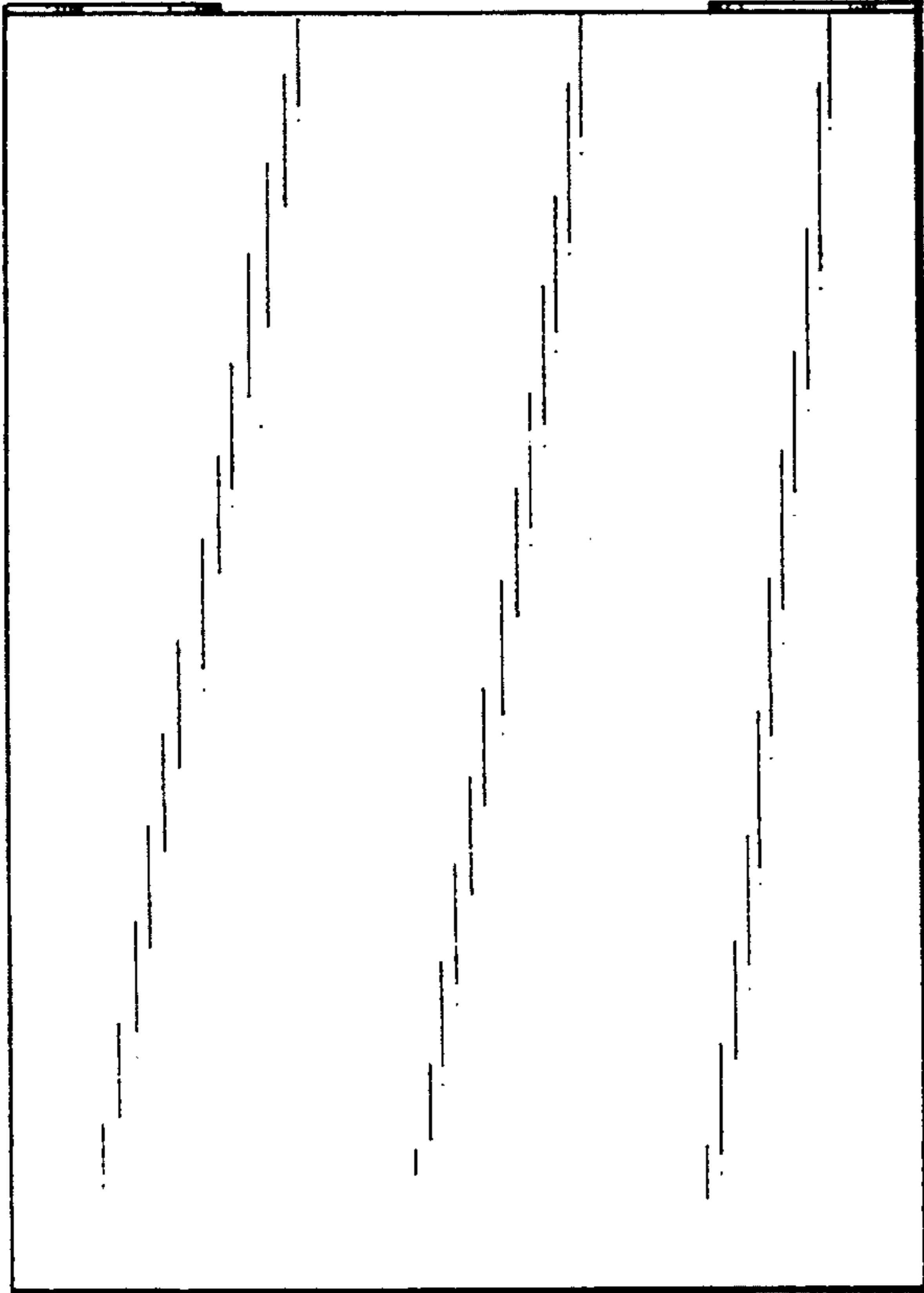


FIG. 5

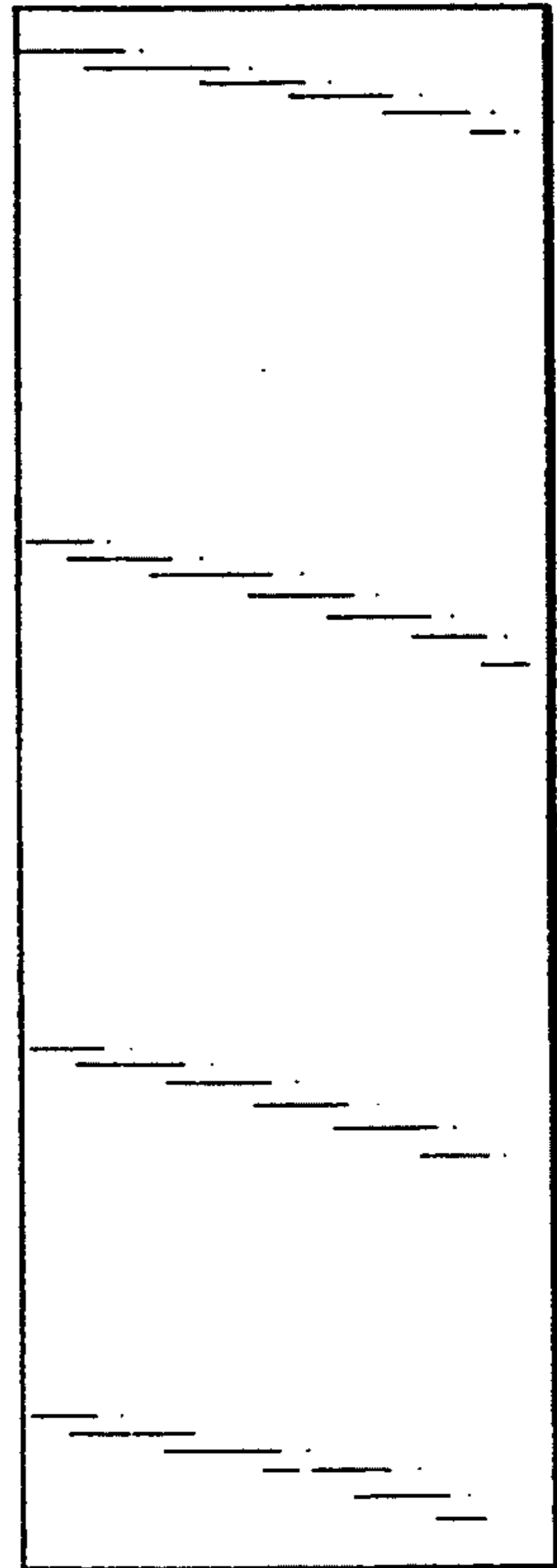


FIG. 6

