



US00D349640S

United States Patent [19]

[11] Patent Number: Des. 349,640

Whitaker

[45] Date of Patent: ** Aug. 16, 1994

[54] WALL MOUNTABLE SUPPORT BRACKET

[75] Inventor: Richard J. Whitaker, Guernsey, Channel Islands

[73] Assignee: Commercial Brains Limited, Guernsey, United Kingdom

[**] Term: 14 Years

[21] Appl. No.: 878,505

[22] Filed: May 5, 1992

[30] Foreign Application Priority Data

Nov. 9, 1991 [GB] United Kingdom 2018870

[52] U.S. Cl. D8/363; D6/574

[58] Field of Search D6/429, 553, 567, 574; D8/380, 363; 248/310, 670, 284, 280.1-, 281.1, 291, 183, 185

[56] References Cited

U.S. PATENT DOCUMENTS

D. 267,699	1/1983	Prawl	D8/380
D. 312,185	11/1990	Prater, Sr.	D6/567 X
D. 314,505	2/1991	Chen	D8/380
D. 325,868	5/1992	Bartok	D8/380
D. 337,719	7/1993	Burns	D8/363
2,330,591	9/1943	Kendall	248/223.4 X
4,768,744	9/1988	Leeds et al.	248/280.1

OTHER PUBLICATIONS

Strong, elegant, practical space-saver, Data Sheet S,

Pivotelli Speaker Support, Data sheet TT-Triple Telescopic Pivotelli, Data Sheet T-Triple Pivotelli, Data Sheet S-single Pivotelli & Data Sheet D-Double Pivotelli TVM Series-Television and Monitor Mounting Brackets undated.

Primary Examiner—Wallace R. Burke
Assistant Examiner—H. Baynham
Attorney, Agent, or Firm—Cushman, Darby & Cushman

[57] CLAIM

The ornamental design for a wall mountable support bracket, as shown and described.

DESCRIPTION

FIG. 1 is a perspective view from the front, left side and above, of a wall mountable support bracket showing my new design;

FIG. 2 is a left side elevational view thereof, the right side being a mirror image thereof;

FIG. 3 is a top plan view thereof on a smaller scale;

FIG. 4 is a front elevational view thereof;

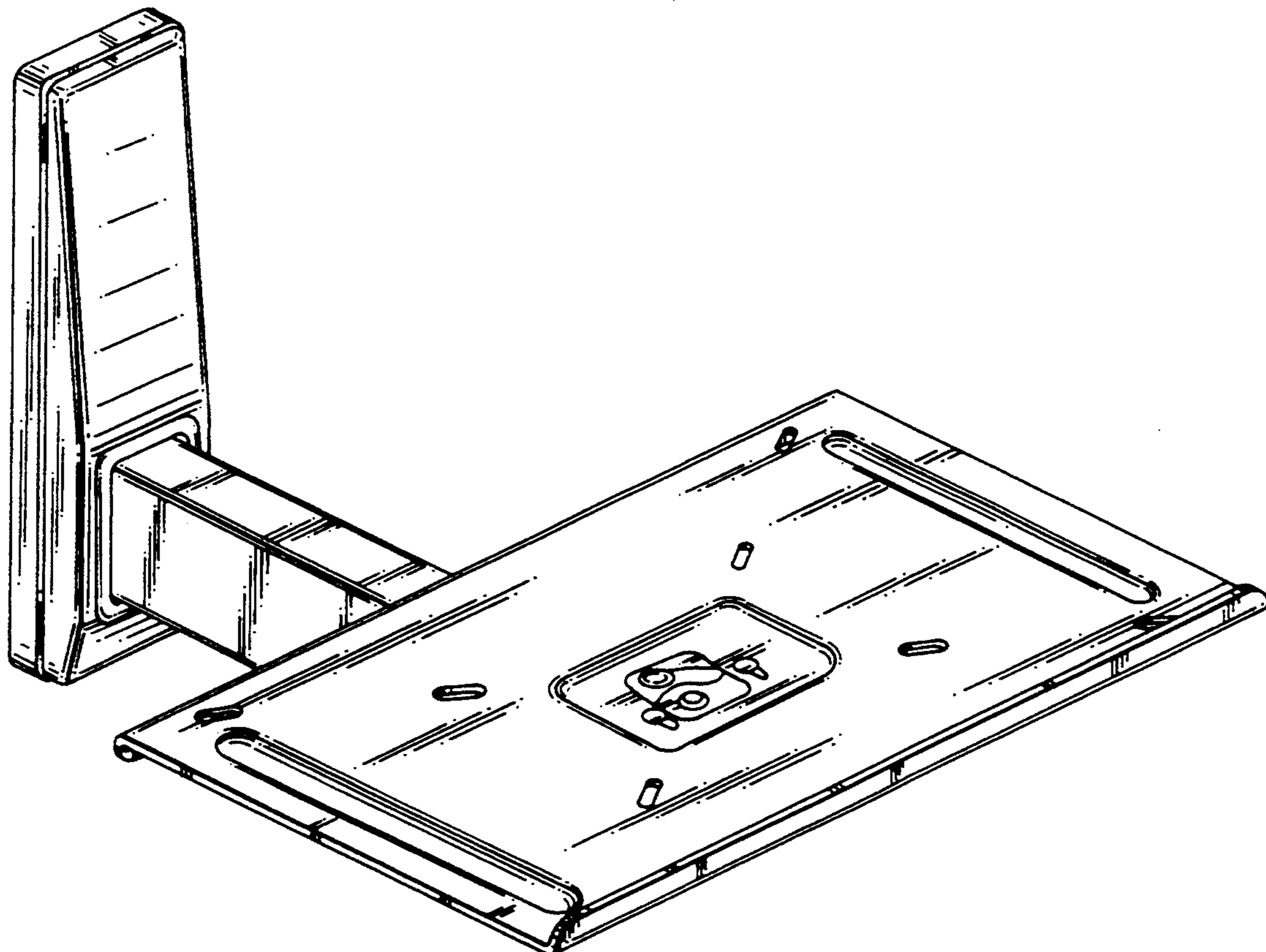
FIG. 5 is a rear elevational view thereof;

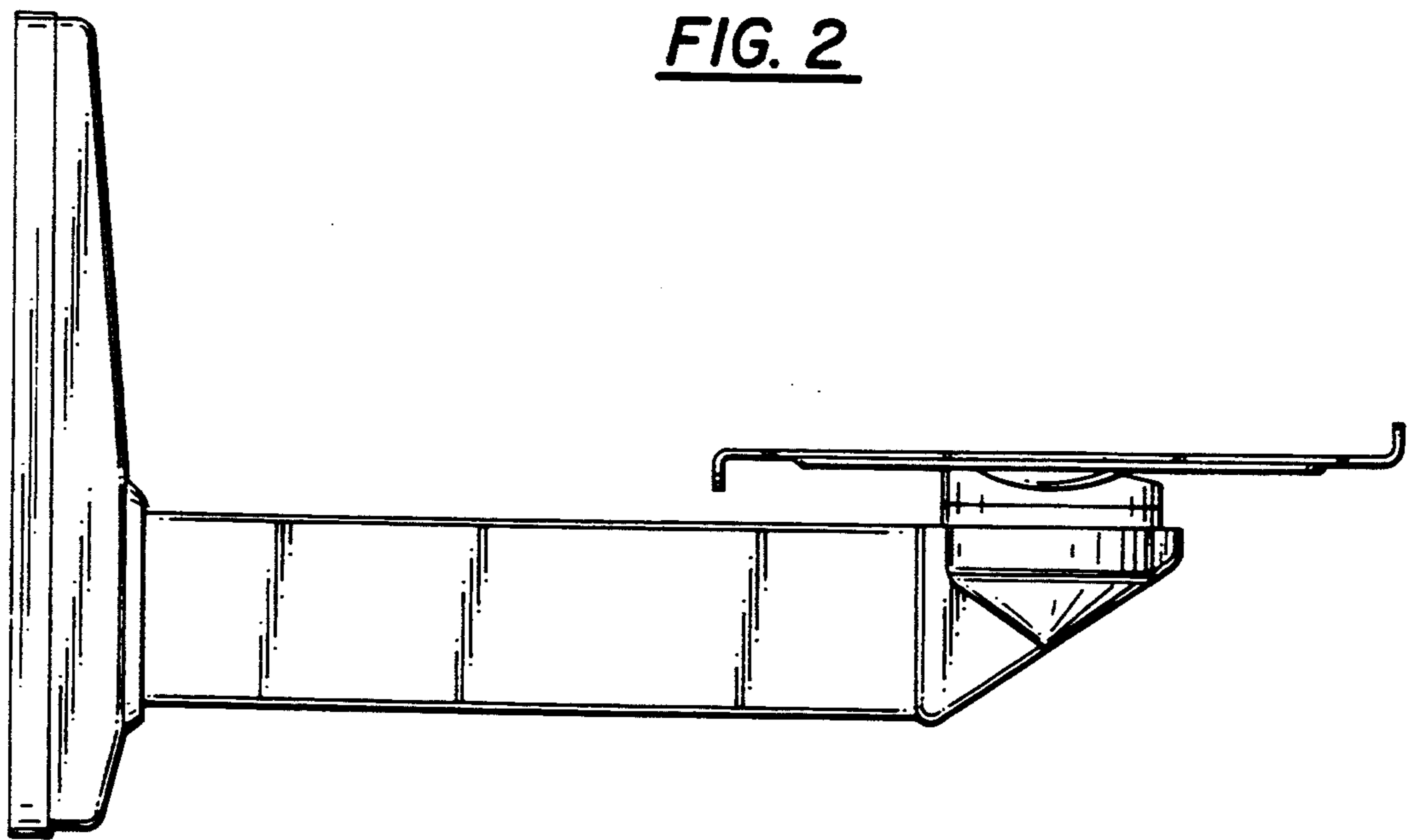
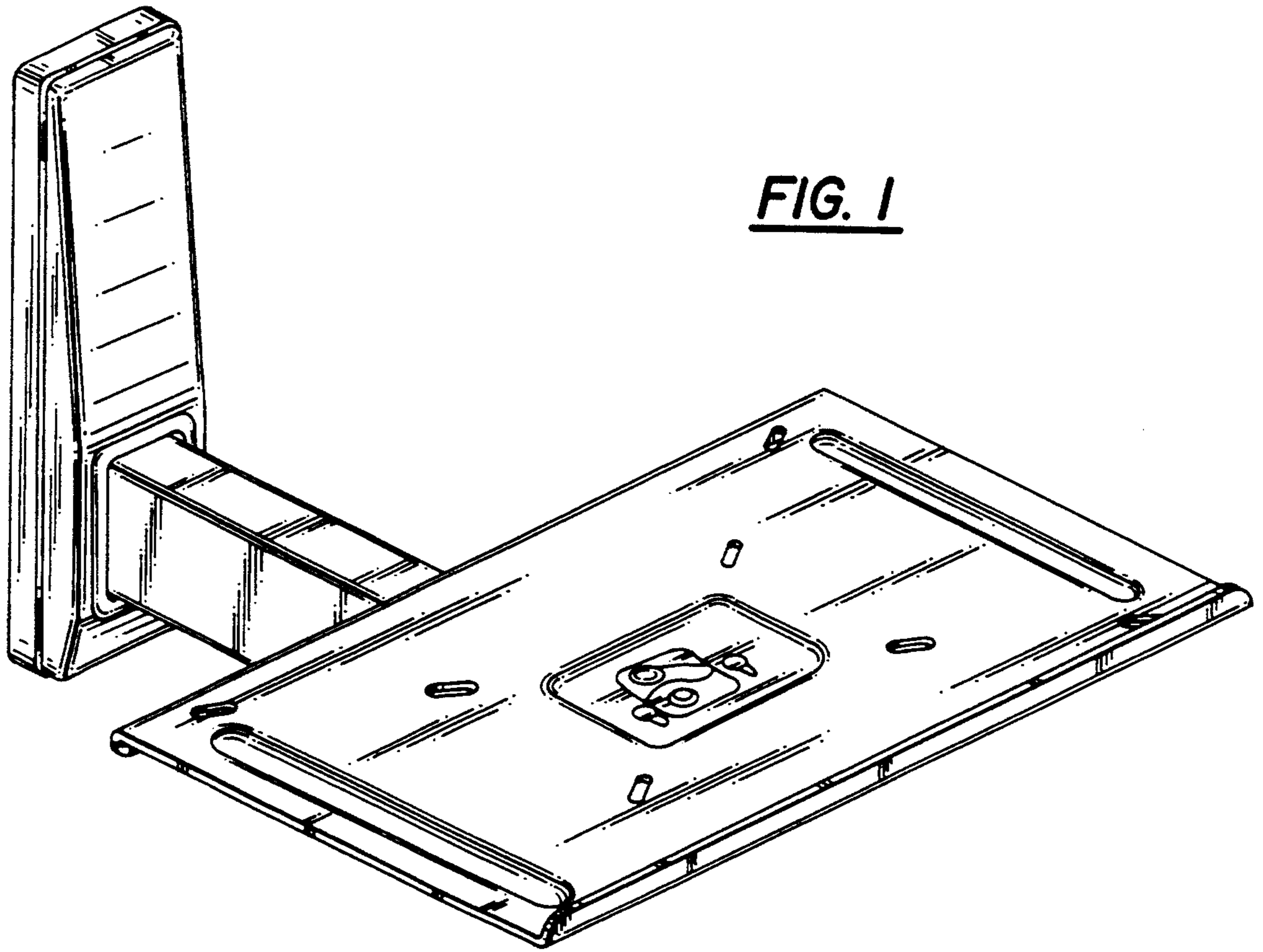
FIG. 6 is a bottom plan view thereof;

FIG. 7 is a left side elevational view thereof, with the support plate in a forwardly tilted position;

FIG. 8 is a top plan view thereof, shown at a reduced scale with the support plate turned at an angle;

and, FIG. 9 is a top plan view thereof, with the support plate turned at an angle in the opposite direction.





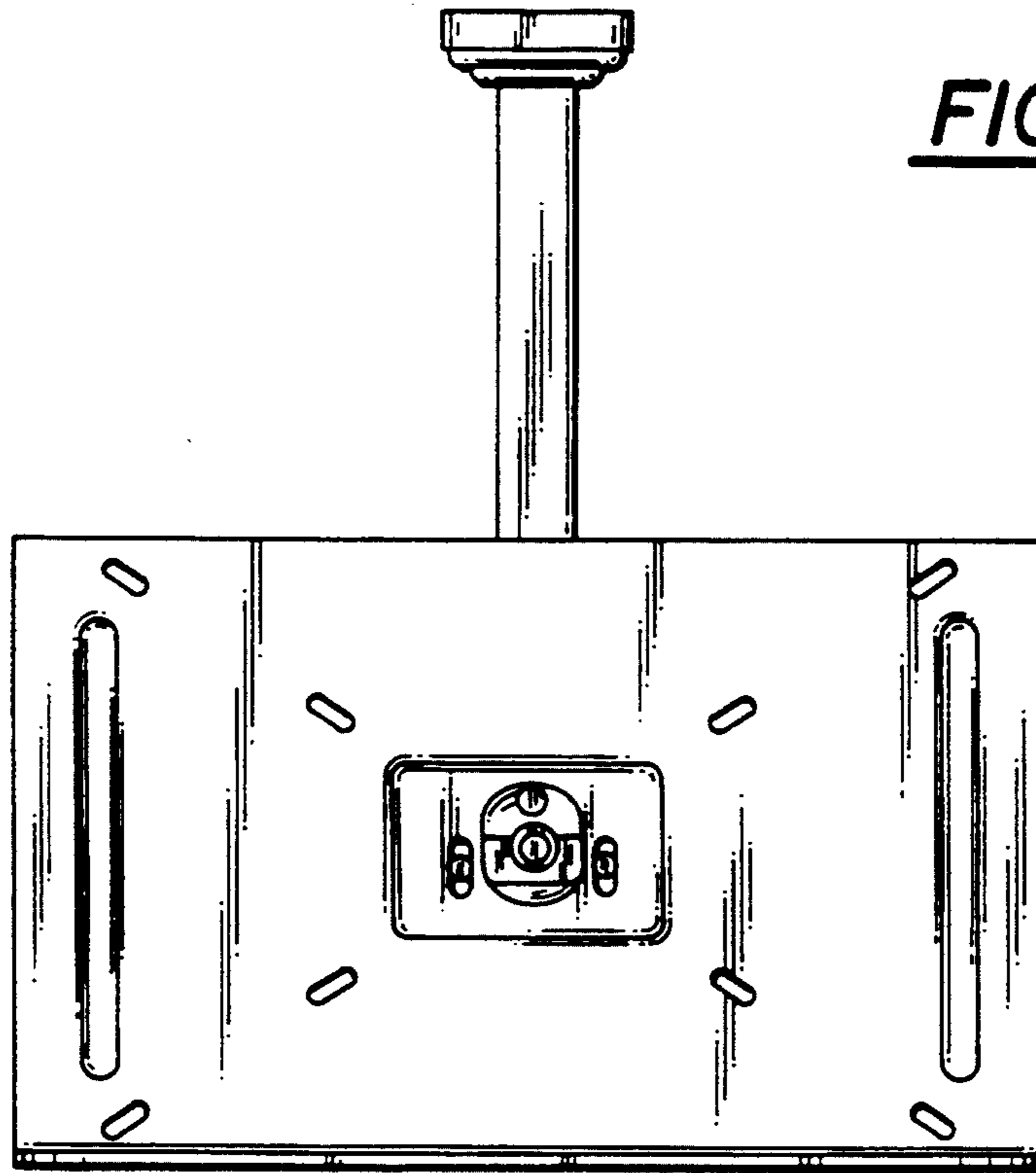


FIG. 3

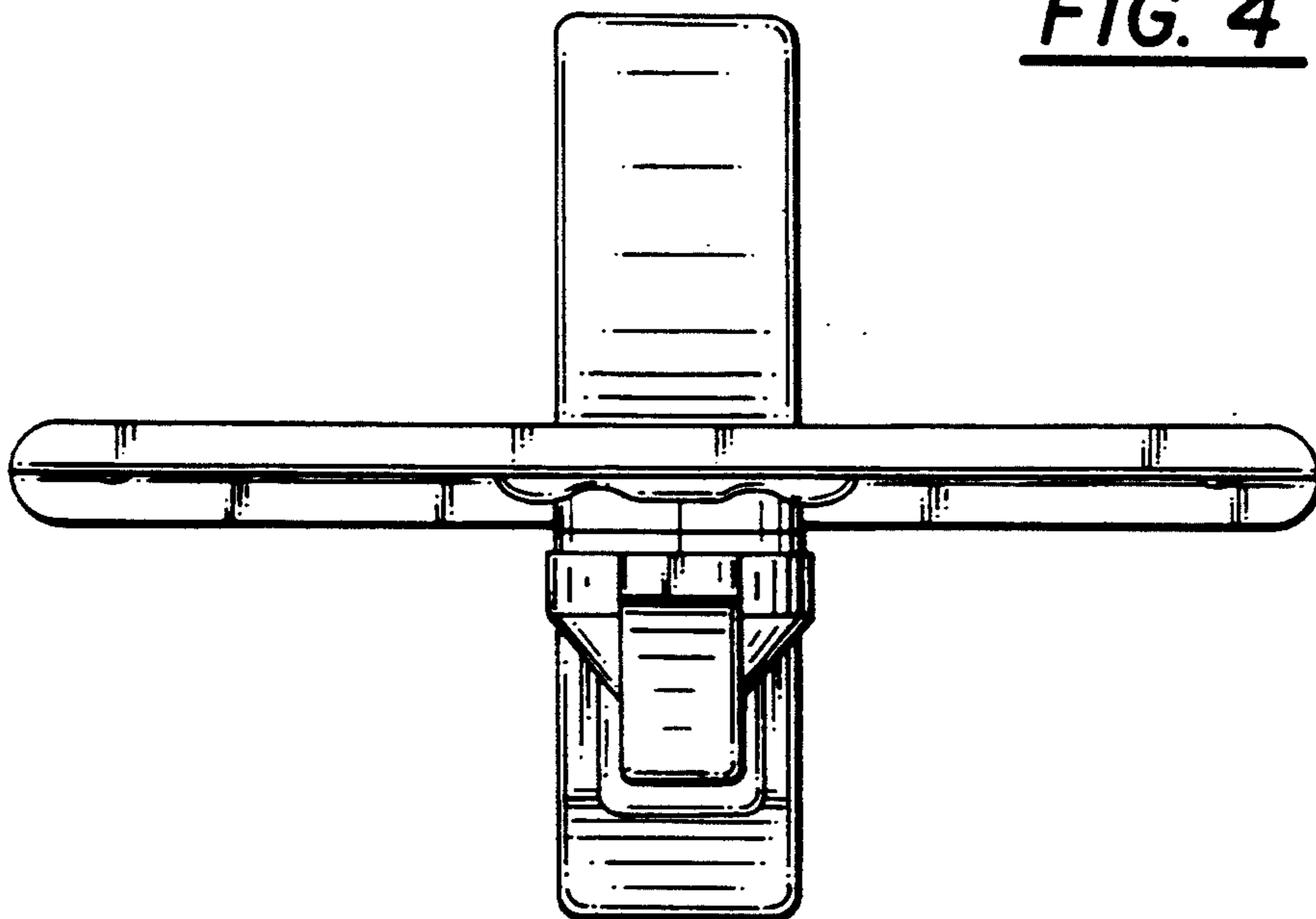


FIG. 4

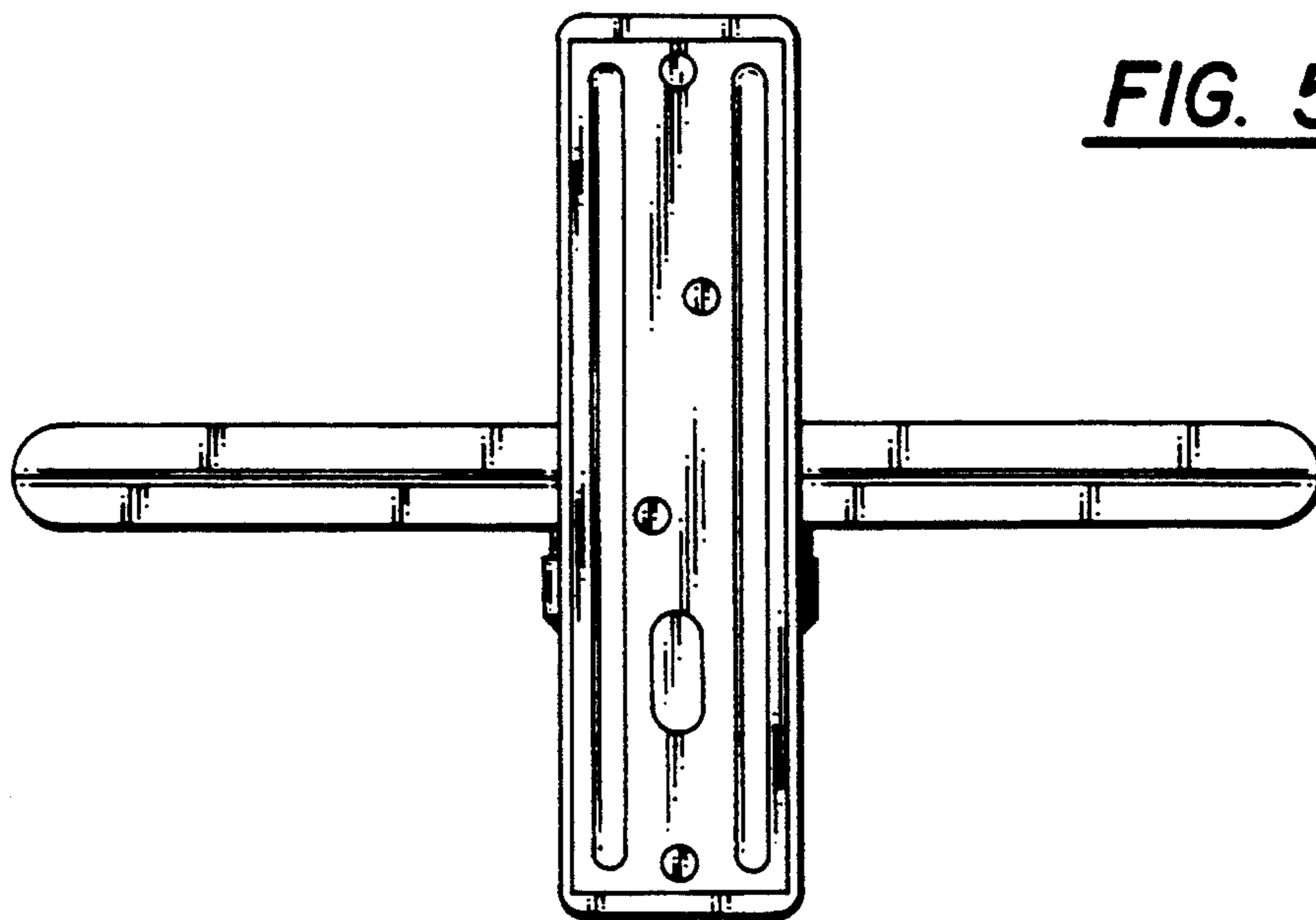


FIG. 5

FIG. 6

