



US00D349639S

United States Patent [19] Kimbrell

[11] Patent Number: Des. 349,639

[45] Date of Patent: ** Aug. 16, 1994

[54] **MOUNTING BRACKET FOR DISPLAYING FIREARMS**

[76] Inventor: **James A. Kimbrell**, P.O. Box 751, Sylva, N.C. 28779

[**] Term: **14 Years**

[21] Appl. No.: **778,643**

[22] Filed: **Oct. 18, 1991**

[52] U.S. Cl. **D8/349**

[58] Field of Search **D8/349, 373, 366; 248/309.1, 298, 222.1, 221.3, 205.1, 216.4; D6/552**

[56] **References Cited**

U.S. PATENT DOCUMENTS

- D. 275,346 9/1984 Padgett .
- D. 276,196 11/1984 Padgett .
- D. 276,197 11/1984 Padgett .
- D. 284,547 7/1986 Spencer D8/373
- 1,959,745 5/1934 Stout D8/366 X
- 3,406,455 10/1968 Akin, Jr. 248/222.1 X
- 3,964,612 6/1976 Skilliter, Jr. et al. 248/309.1 X
- 4,031,796 6/1977 Wilkes 248/222.1 X
- 4,036,463 7/1977 Hopkins et al. 248/309.1
- 4,458,872 7/1984 Couch 248/222.1 X
- 4,848,858 7/1989 Suzuki 248/298 X
- 5,116,010 5/1992 McMasters et al. 248/309.1

OTHER PUBLICATIONS

PEM catalog, Jul. 27, 1988, cover page, standoffs, circled item at top of page.

Corbin Corporation Catalog, 1982, p. 403, hexagon nut, circled item located at top right corner of page.

Southern Sign Supply Inc., 1982, p. 207, alum. studs, wall mount anchors and brackets items A, B and C respectively.

Primary Examiner—Wallace R. Burke

Assistant Examiner—H. Baynham

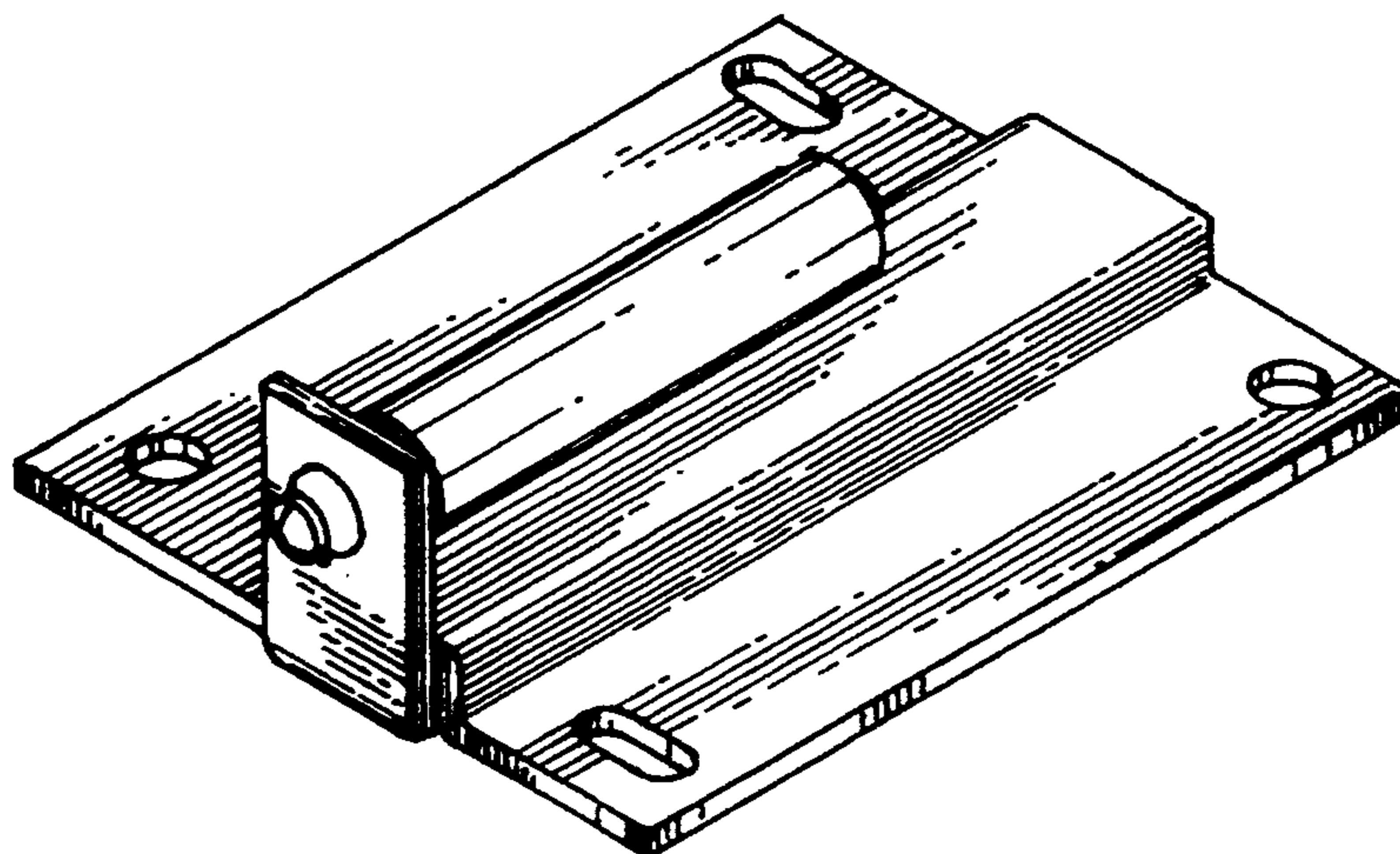
Attorney, Agent, or Firm—Terry M. Gernstein

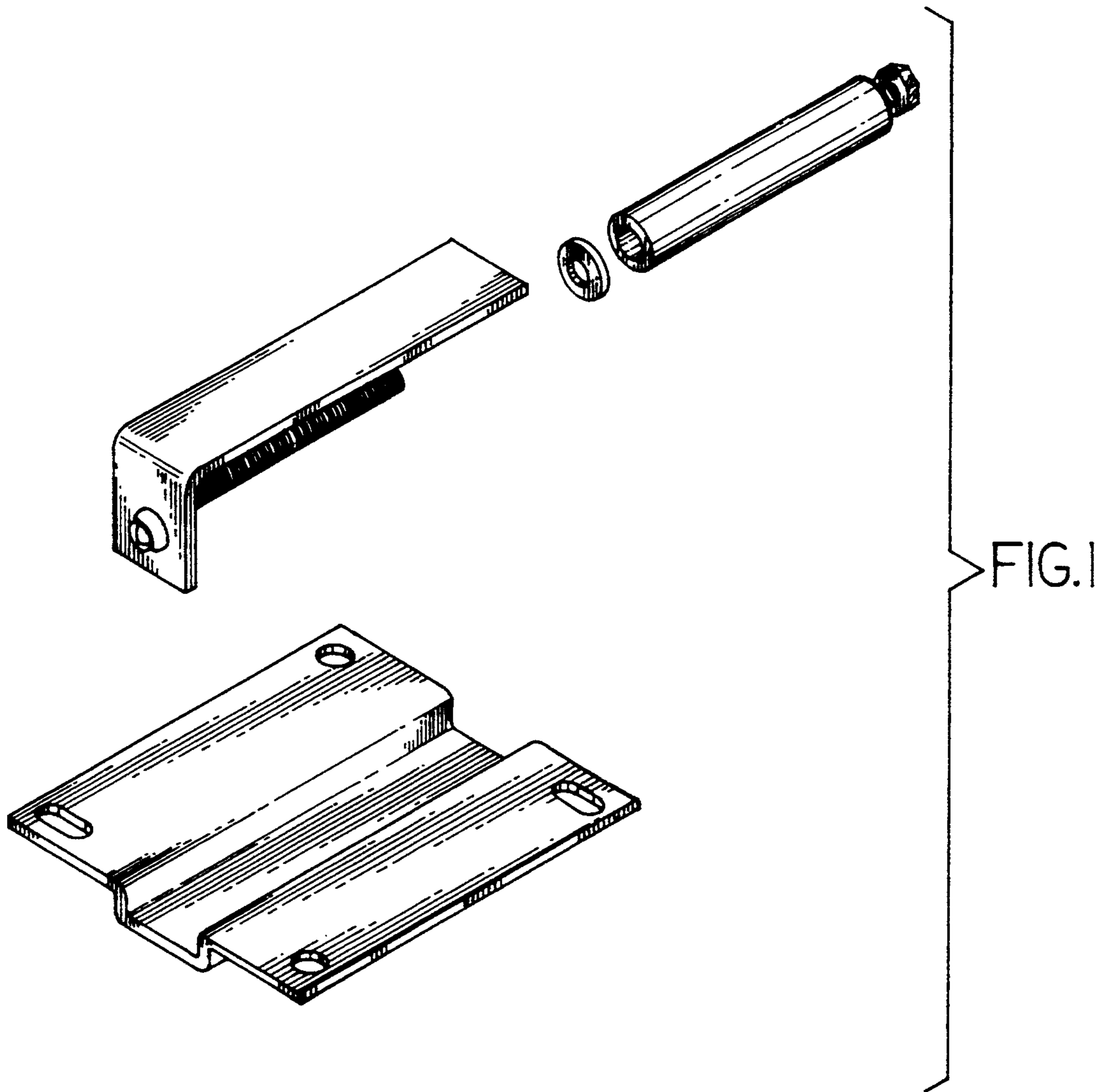
[57] **CLAIM**

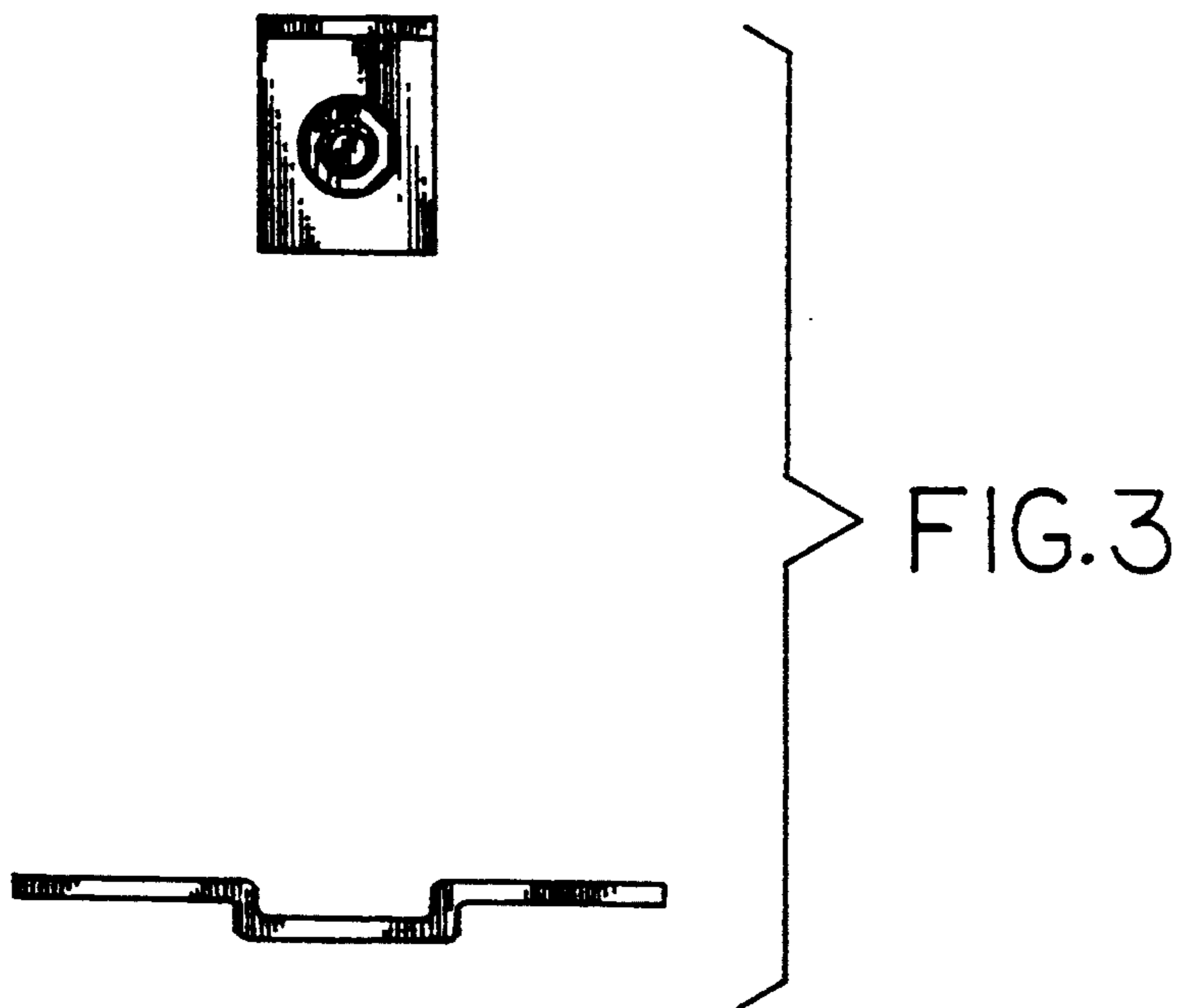
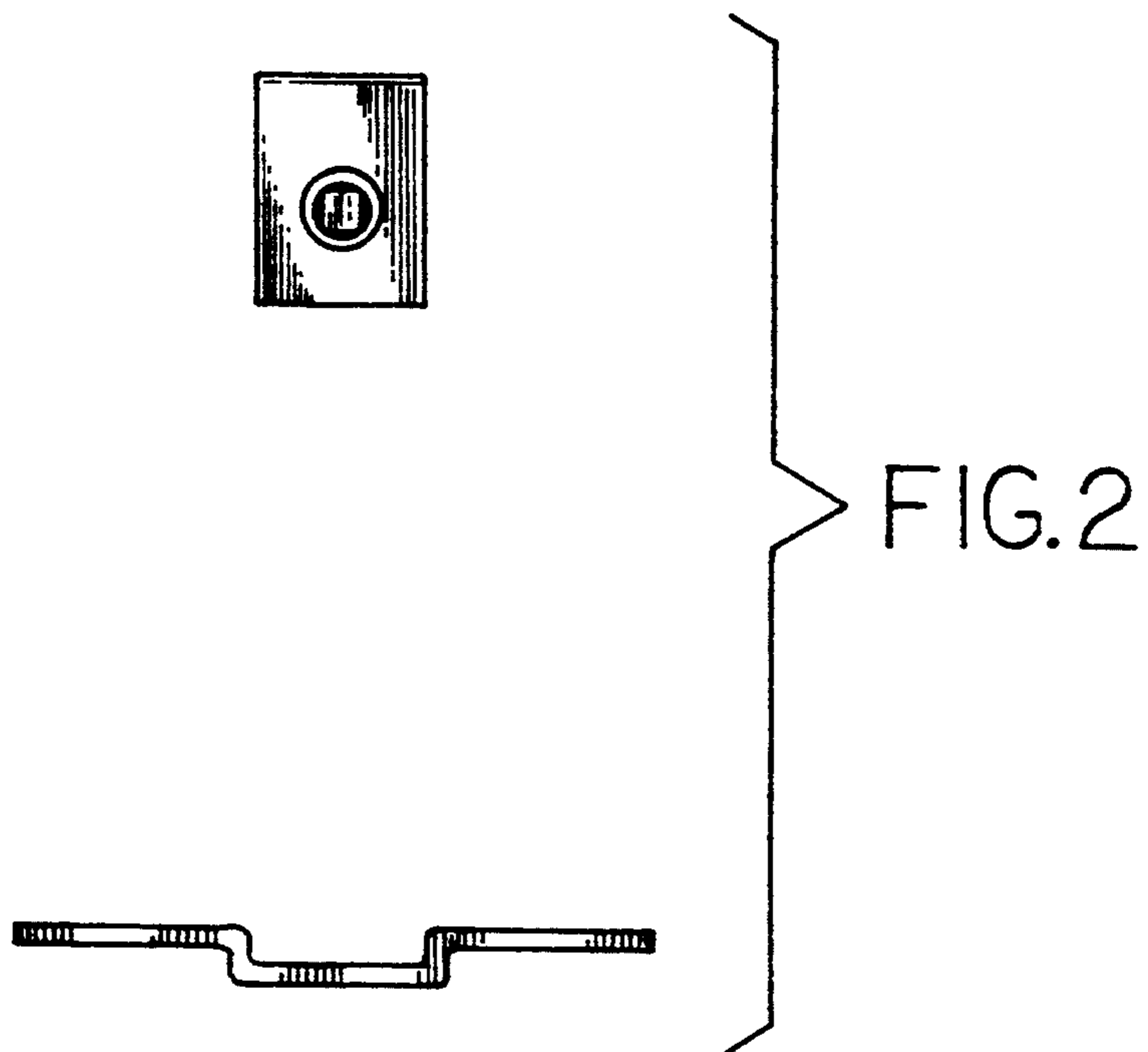
The ornamental design for a mounting bracket for displaying firearms, as shown and described.

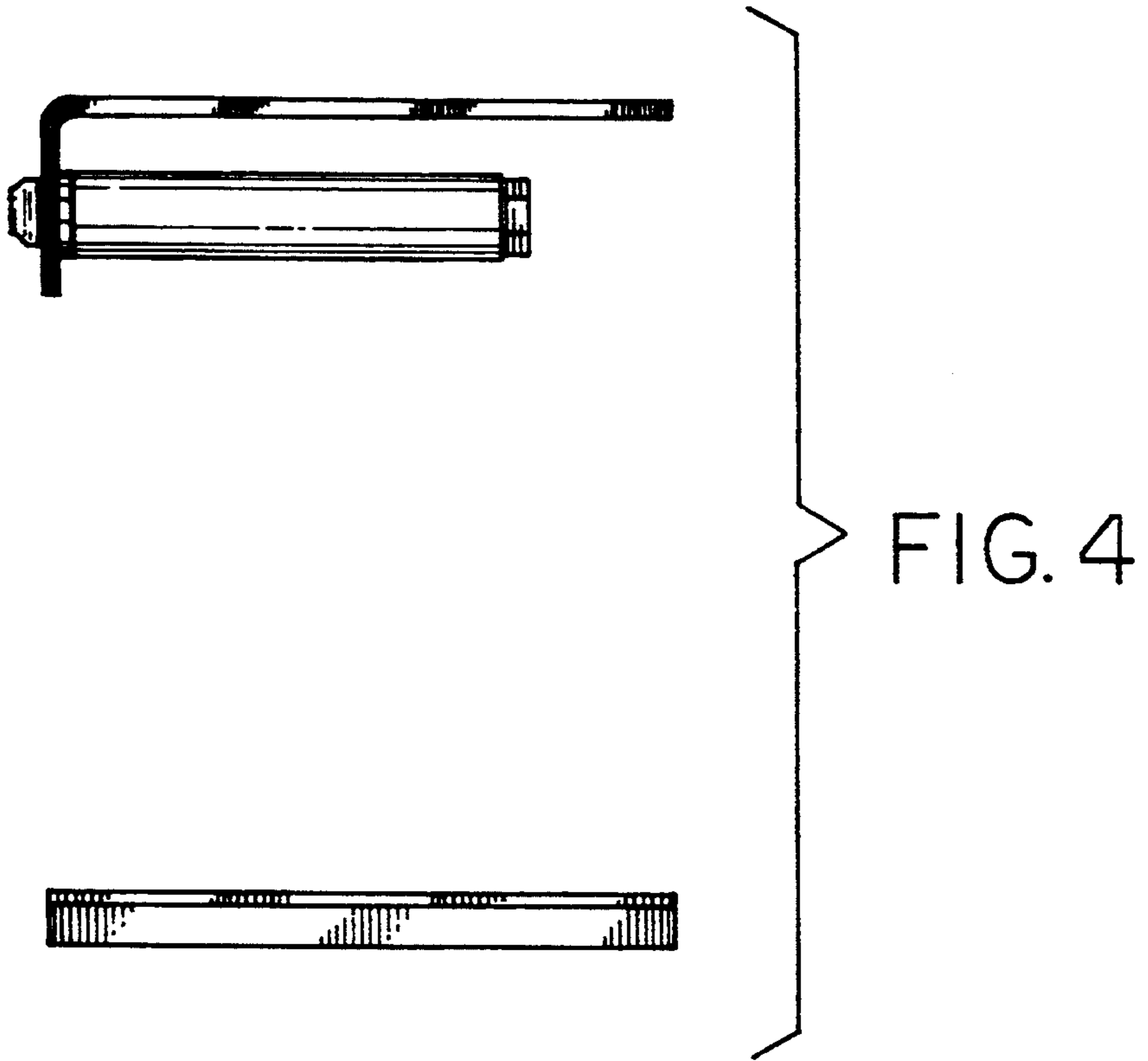
DESCRIPTION

FIG. 1 is a perspective view of a mounting bracket for displaying firearms showing my new design; FIG. 2 is a front end elevational view thereof; FIG. 3 is a rear end elevational view thereof; FIG. 4 is a side elevational view thereof, the side opposite being a mirror image of the side shown in FIG. 4; FIG. 5 is a top plan view thereof; FIG. 6 is a bottom view thereof; and, FIG. 7 is a perspective view thereof in the fully assembled condition.









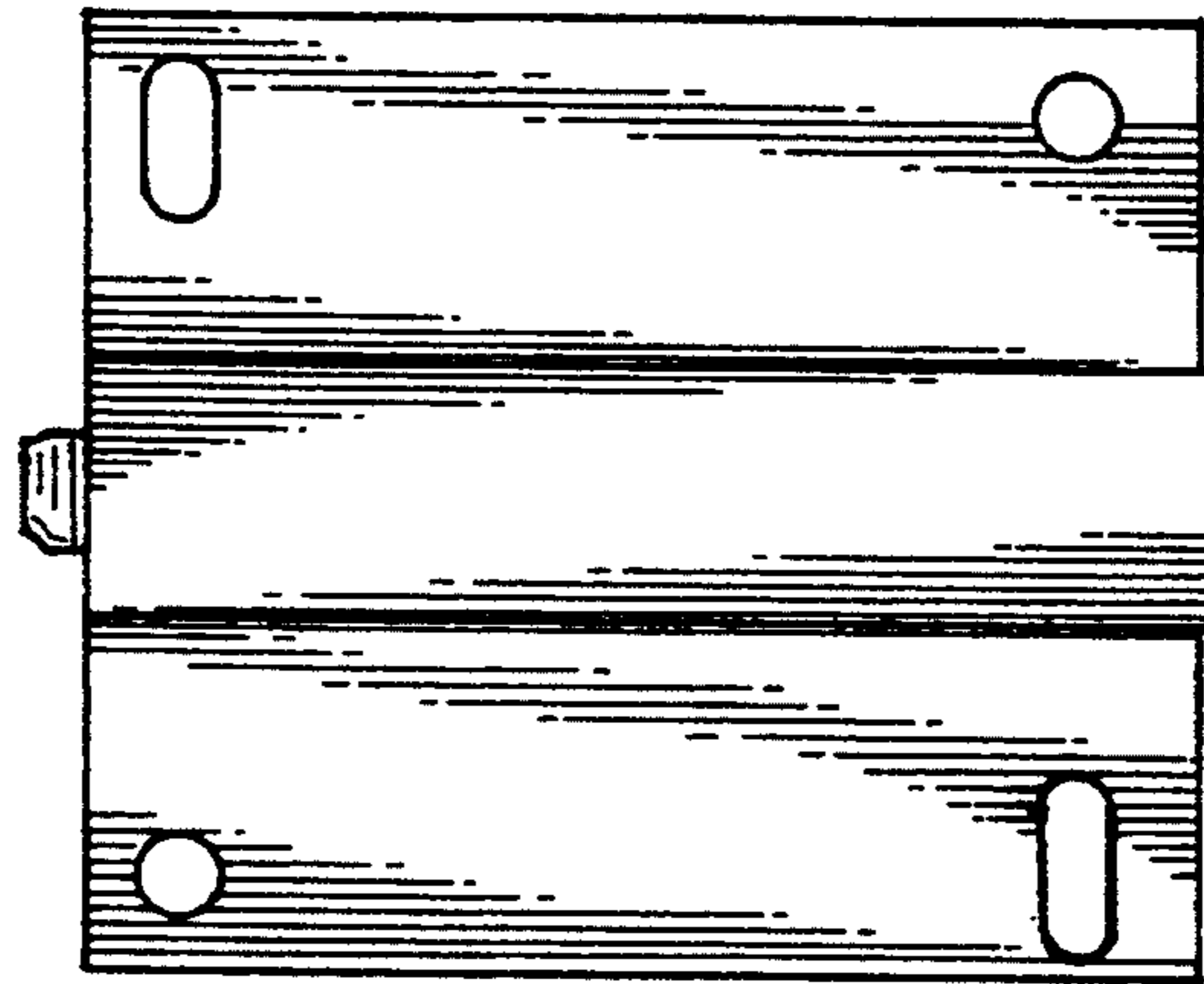


FIG. 5

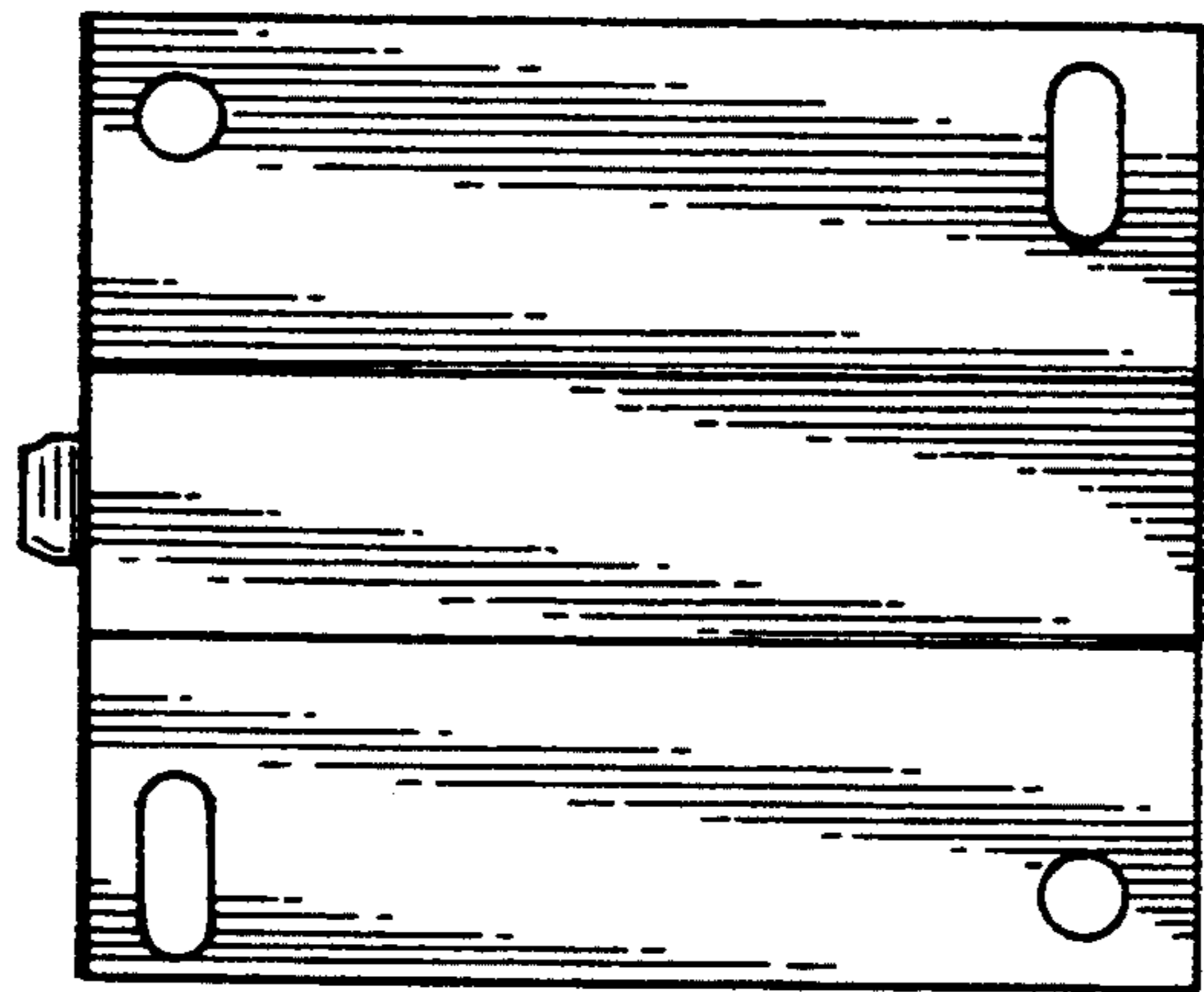


FIG. 6

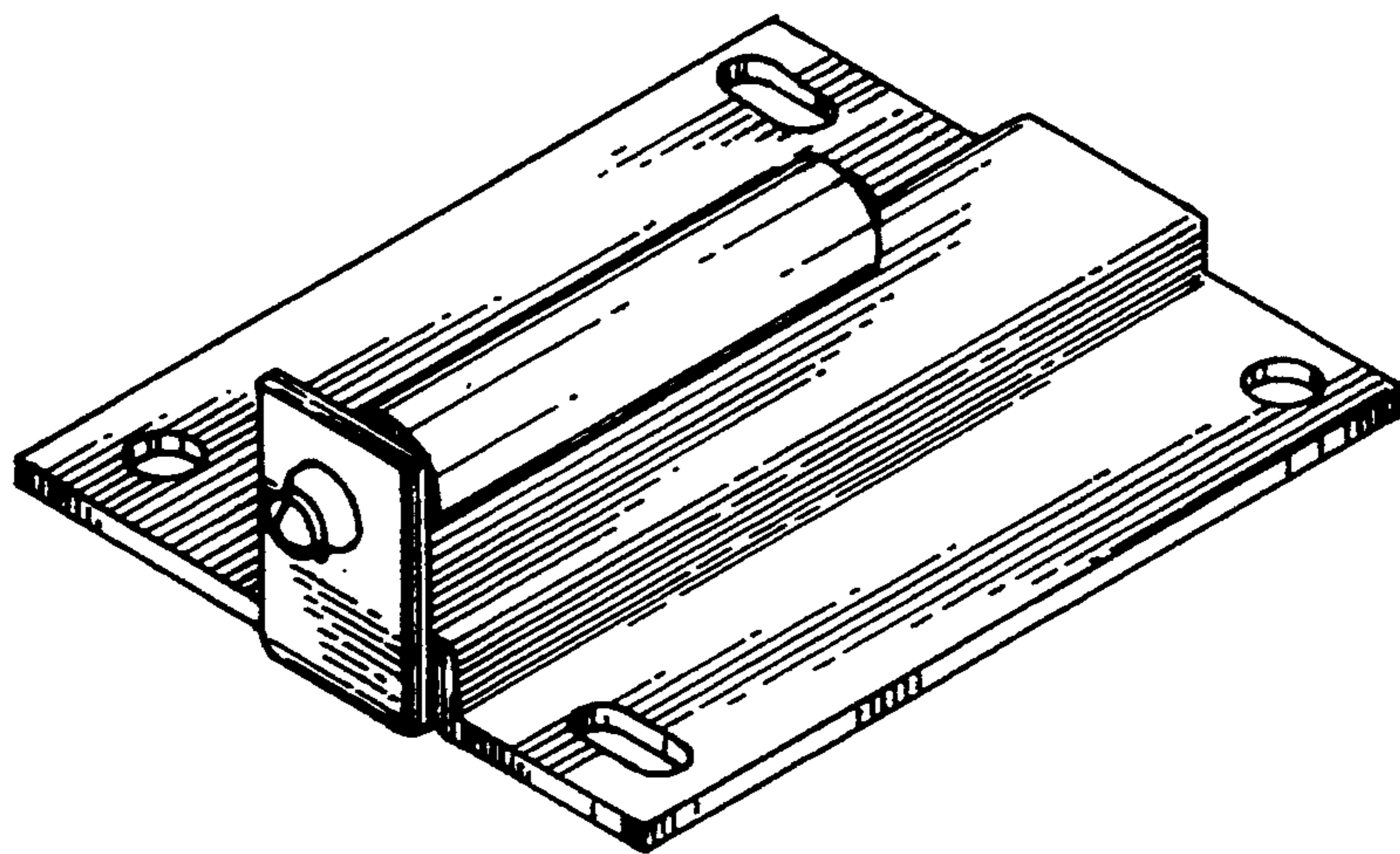


FIG. 7