



US00D349637S

United States Patent [19]

[11] Patent Number: **Des. 349,637**

Hoshino et al.

[45] Date of Patent: **** Aug. 16, 1994**

[54] **PLUNGE ROUTER**

[75] Inventors: **Kiyoshi Hoshino**, Yokohama, Japan;
Ronald C. McCurry, West Union;
Robert McCracken, Easley, both of
S.C.

D. 286,131	10/1986	Yamamoto	D8/67
D. 307,104	4/1990	Monobe et al.	D8/67
D. 340,174	10/1993	Hoshino et al.	D8/67
4,938,642	7/1990	Imahashi et al.	409/182
5,088,865	2/1992	Beth et al.	409/182

[73] Assignee: **Ryobi Motor Products Corp.**, Easley,
S.C.

Primary Examiner—Alan P. Douglas
Assistant Examiner—Jeffry H. Musgrove
Attorney, Agent, or Firm—Brooks & Kushman

[**] Term: **14 Years**

[57] **CLAIM**

[21] Appl. No.: **6,708**

The ornamental design for plunge router, as shown and described.

[22] Filed: **Apr. 5, 1993**

[52] U.S. Cl. **D8/67**

DESCRIPTION

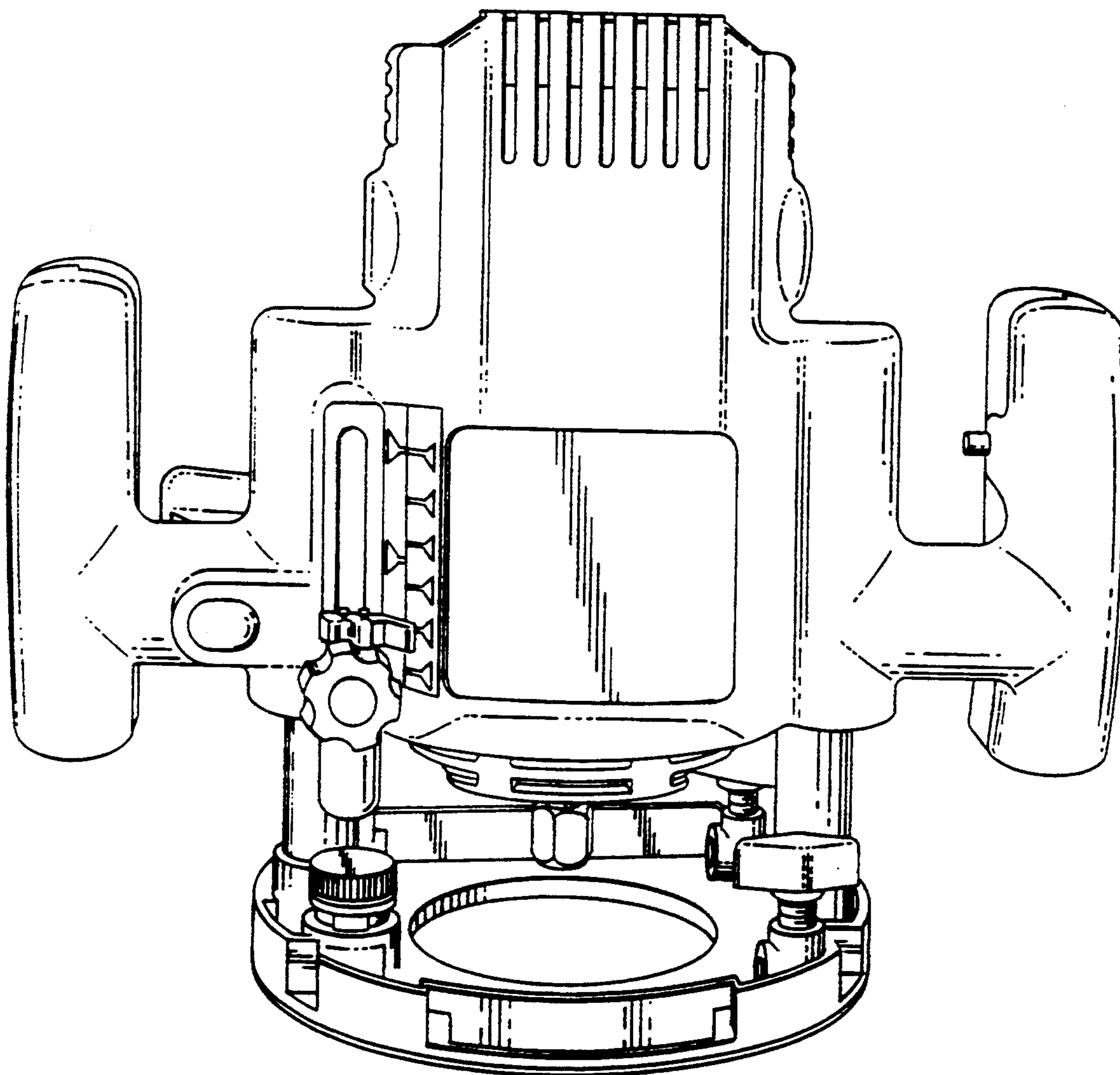
[58] Field of Search D8/61, 67; 409/182,
409/204, 175, 181, 202; 144/134 D, 136 C

FIG. 1 is a top perspective view of a plunge router;
FIG. 2 is a front perspective view;
FIG. 3 is a rear perspective view;
FIG. 4 is a bottom perspective view;
FIG. 5 is a right side perspective view; and,
FIG. 6 is a left side perspective view thereof.

[56] **References Cited**

U.S. PATENT DOCUMENTS

D. 281,218 11/1985 Barrett et al. D8/67



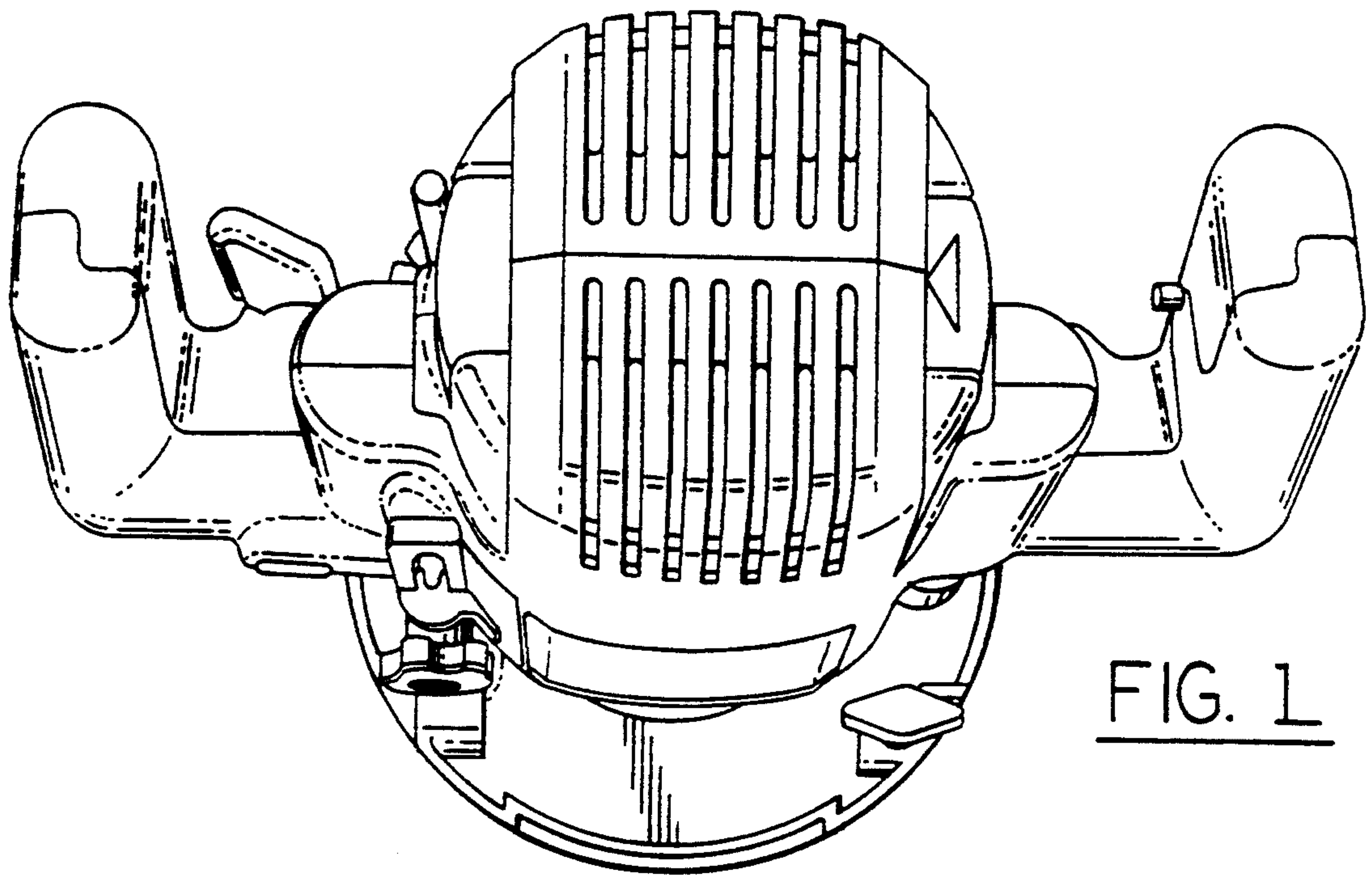


FIG. 1

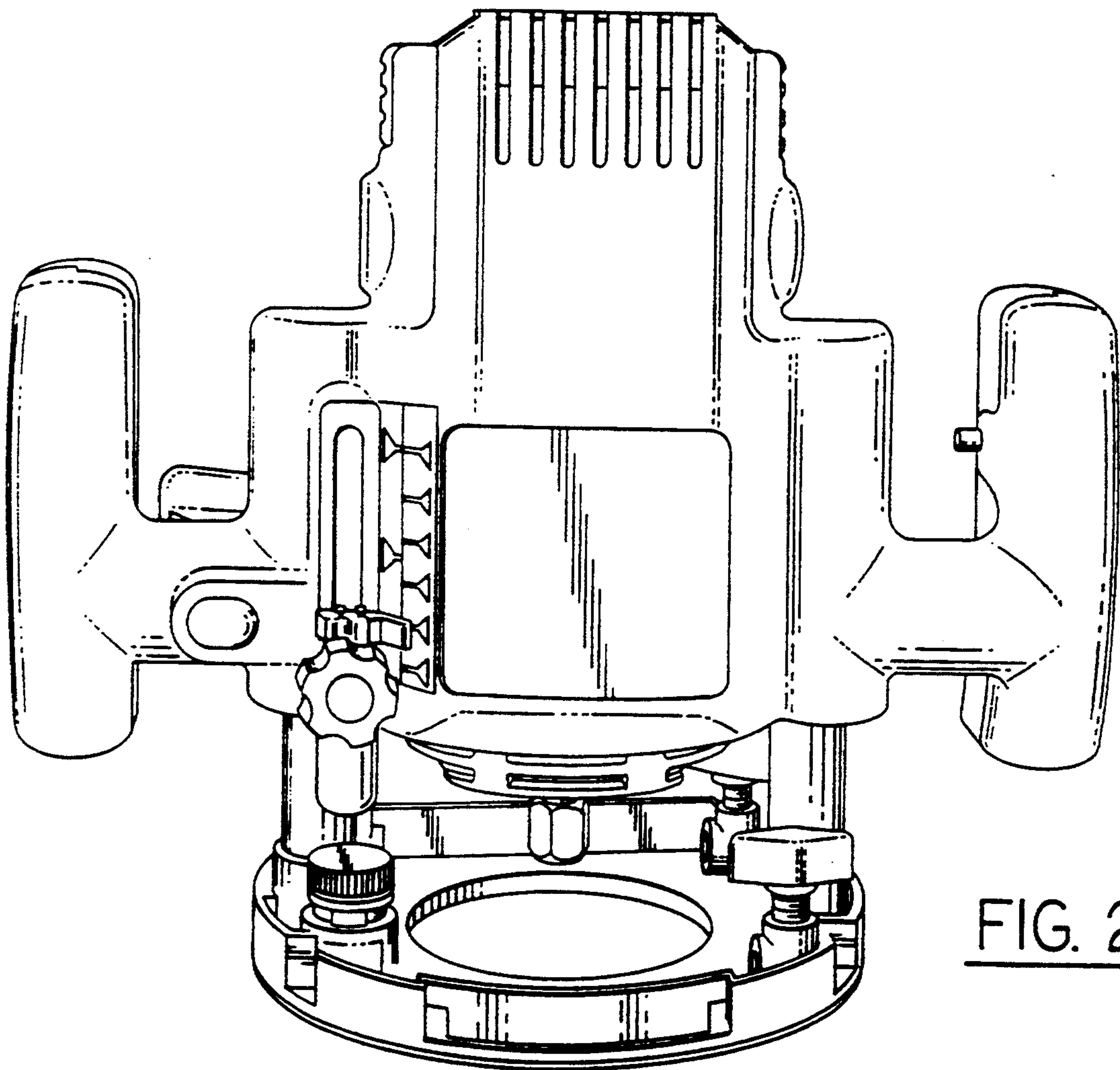


FIG. 2

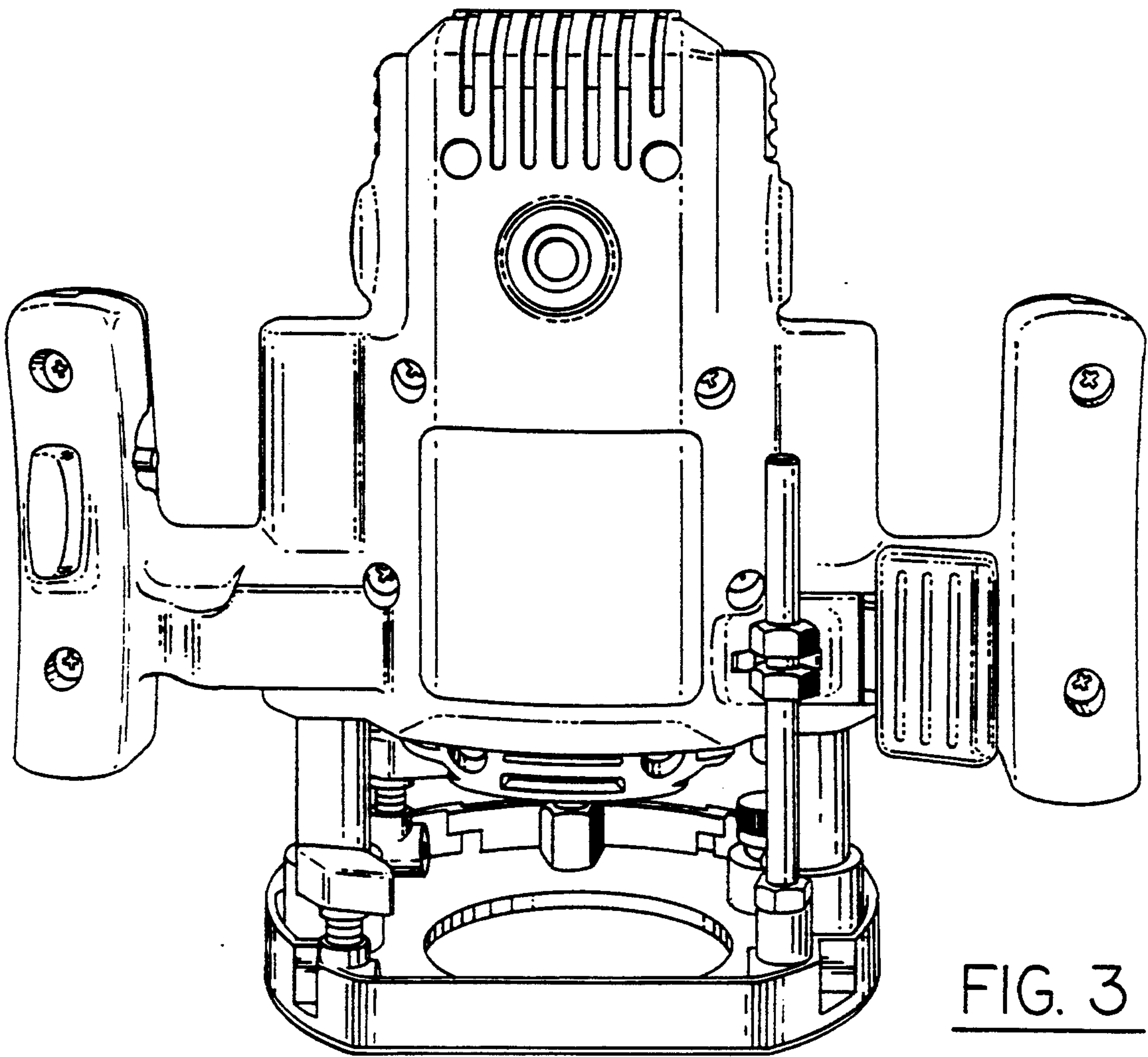


FIG. 3

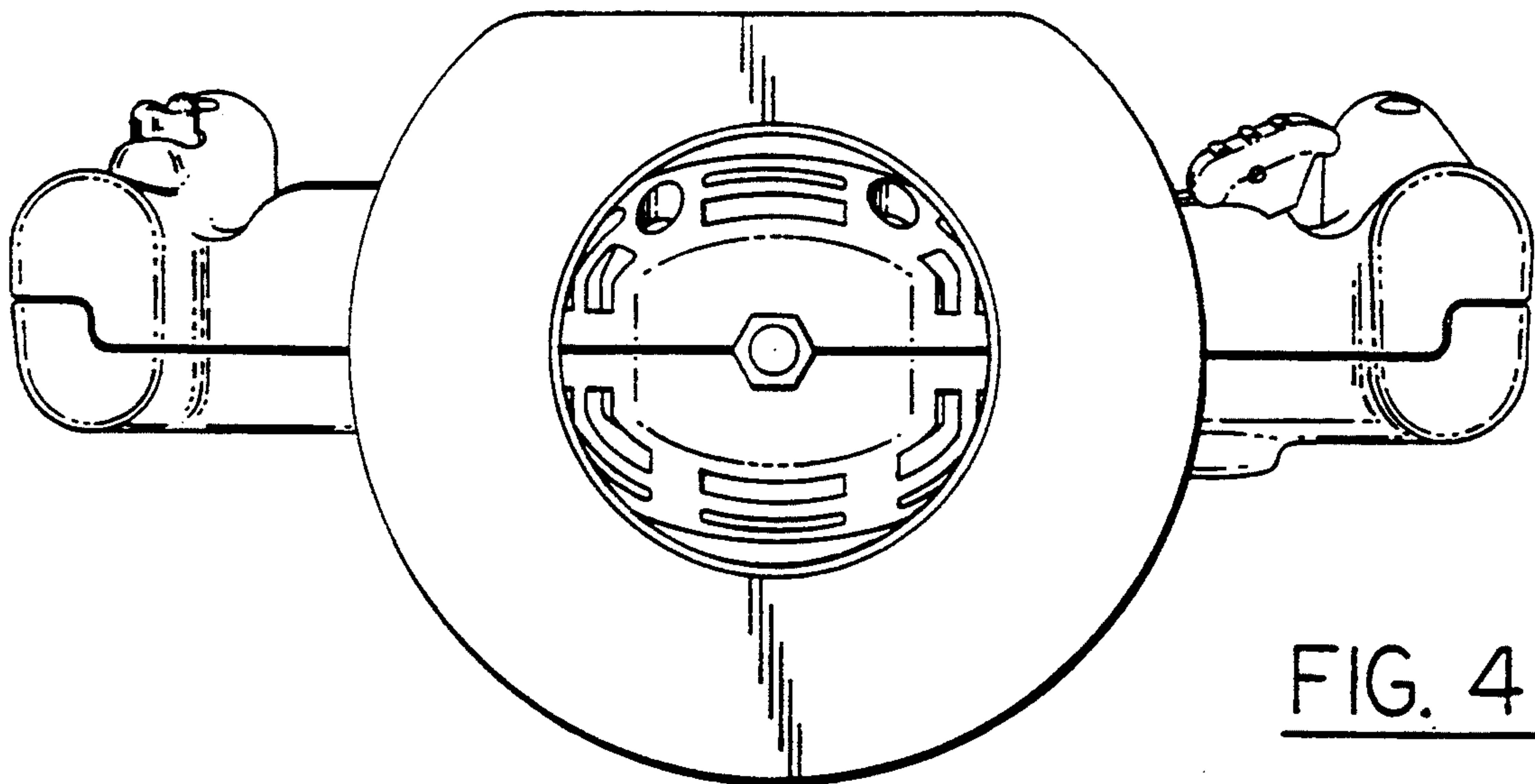


FIG. 4

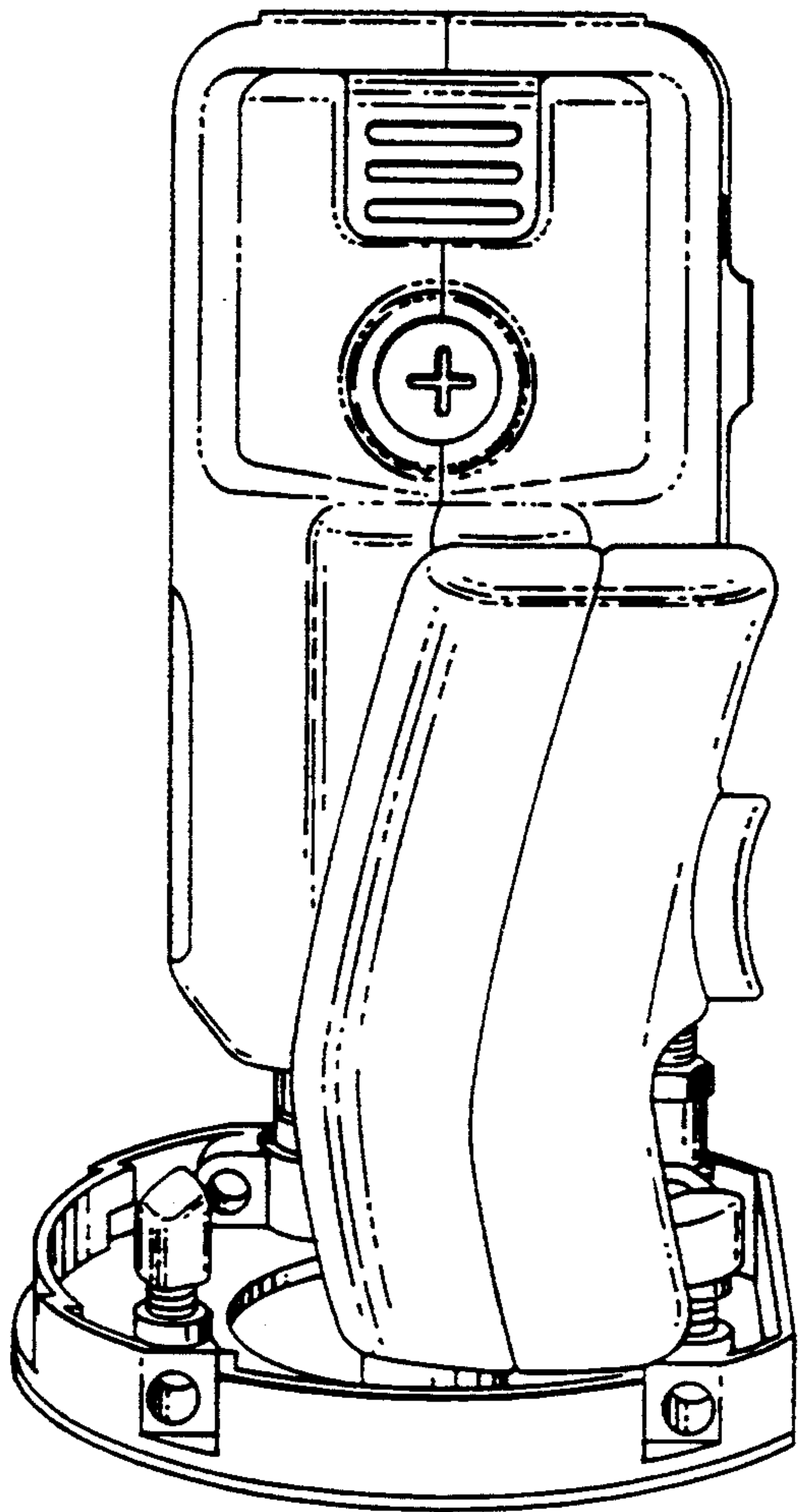


FIG. 5

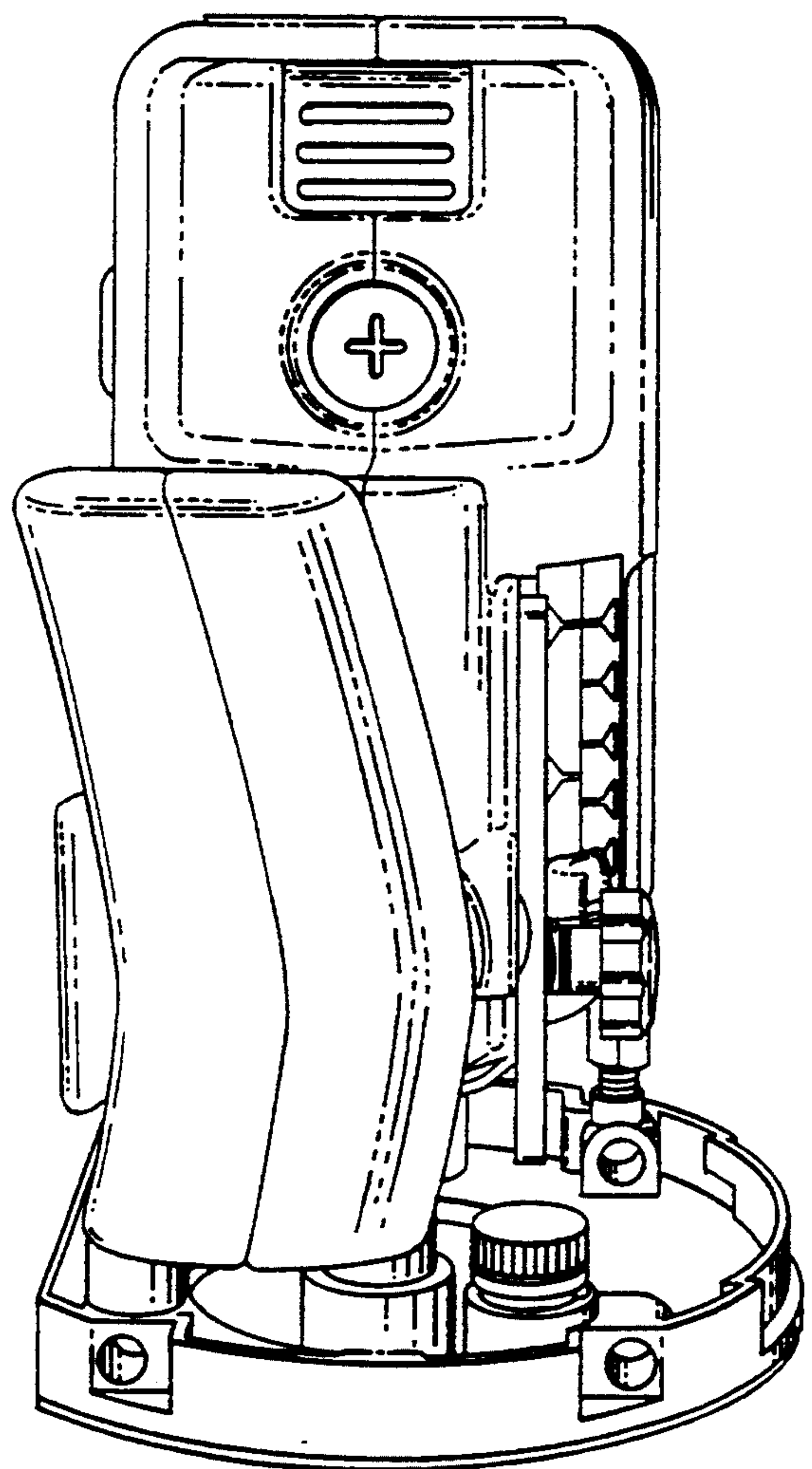


FIG. 6