



US00D349635S

United States Patent [19]

[11] Patent Number: **Des. 349,635**

Berti et al.

[45] Date of Patent: **** Aug. 16, 1994**

- [54] **TOOL HANDLE CONNECTOR**
- [75] Inventors: **Enzo Berti, Venice, Italy; Robert J. Libman, Champaign, Ill.**
- [73] Assignee: **The Libman Company, Arcola, Ill.**
- [**] Term: **14 Years**
- [21] Appl. No.: **179**
- [22] Filed: **Oct. 7, 1992**
- [52] U.S. Cl. **D8/14; D8/107**
- [58] Field of Search **D8/382, 107, 14; 51/390, 392; 15/228, 231; 81/177.85; 16/236, 114 R, 110 R; D15/148; D32/50, 51, 52**

- 4,845,800 7/1989 Pederson et al. 15/228
- 4,885,876 12/1989 Henke 51/392
- 5,071,489 12/1991 Silvenis et al. 15/228

Primary Examiner—Bernard Ansher
Assistant Examiner—Philip Hyder
Attorney, Agent, or Firm—Marshall, O’Toole, Gerstein, Murray & Borun

[57] CLAIM

The ornamental design for a tool handle connector, as shown and described.

DESCRIPTION

FIG. 1 is a top, front and left side perspective view of a tool handle connector showing our new design; FIG. 2 is a front elevational view thereof, the rear elevational view being a mirror image thereof; FIG. 3 is a right side elevational view thereof with the left side being a mirror image thereof; FIG. 4 is a top plan view thereof; and, FIG. 5 is a bottom plan view thereof. The handle and tool head shown in broken lines in the drawings is for illustrative purposes only and forms no part of the claimed design.

[56] **References Cited**
U.S. PATENT DOCUMENTS

D. 297,275	8/1988	Cook	D32/51
3,123,946	3/1964	Hoveland	51/390
3,483,662	12/1969	Ames	51/392
4,516,361	5/1985	Gringer	51/392
4,663,796	5/1987	Helling et al.	81/177.85
4,766,632	8/1988	Murray	15/231
4,811,449	3/1989	Kobayashi	15/231

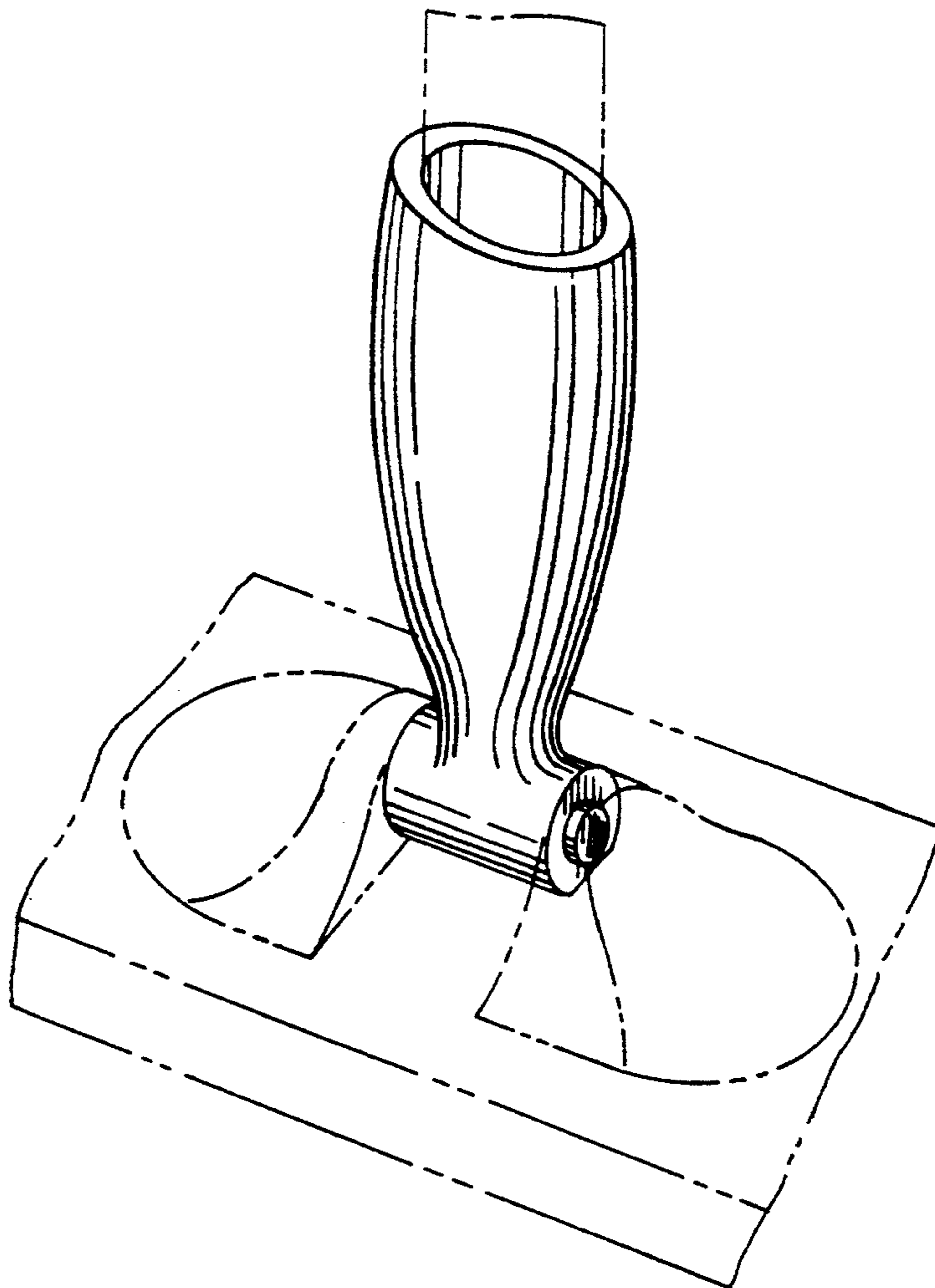


FIG. 1

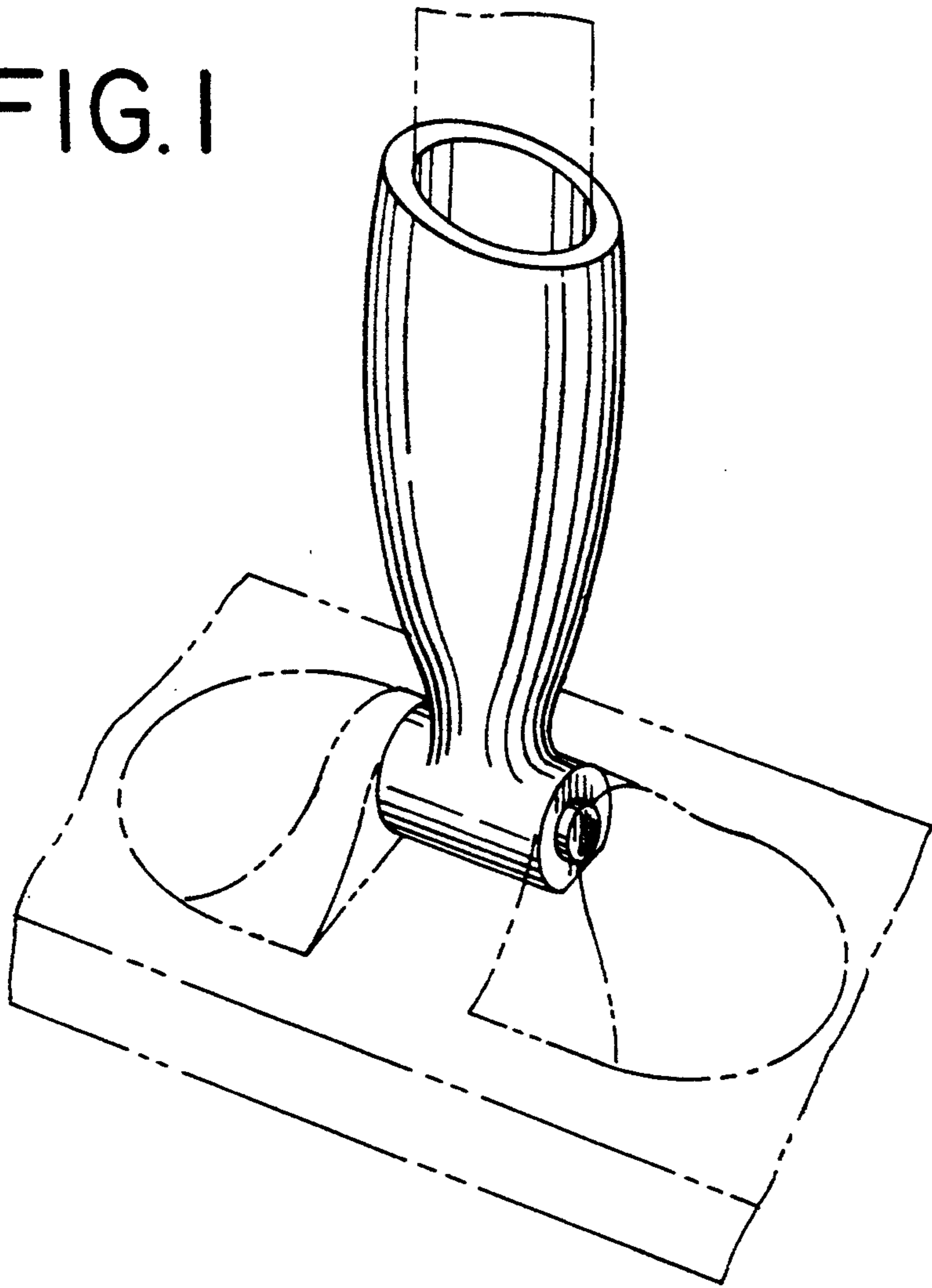


FIG. 2

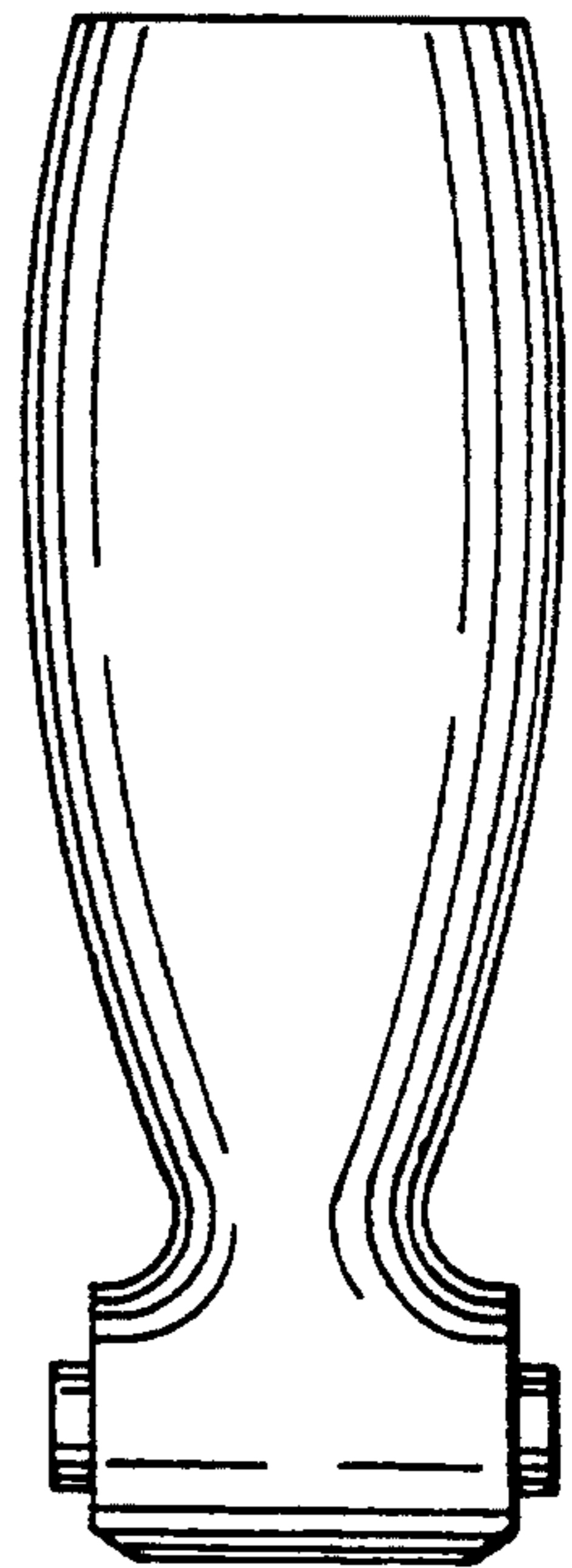


FIG. 3

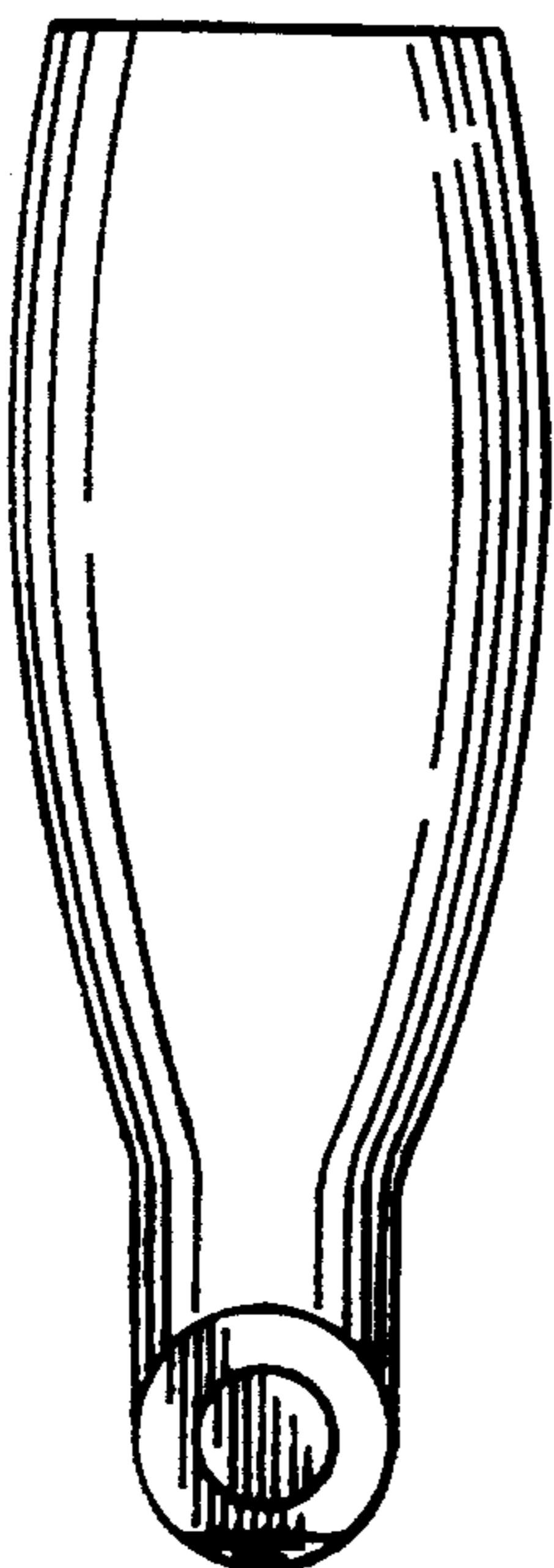


FIG. 4

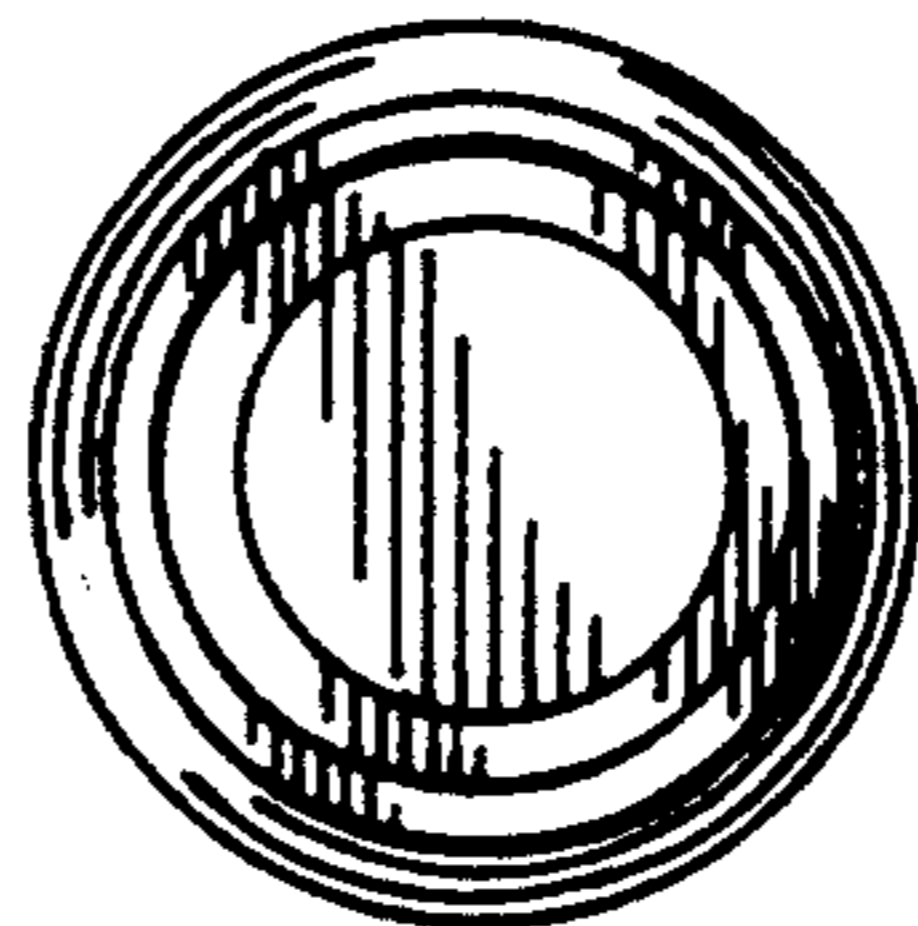


FIG. 5

