



US00D349631S

United States Patent [19]

[11] Patent Number: **Des. 349,631**

Redmon

[45] Date of Patent: **** Aug. 16, 1994**

[54] **STYROFOAM ICE CHEST**

4,164,284 8/1979 Witt et al. D7/606 X
4,339,062 7/1982 Witt, Jr. D7/619 X

[75] Inventor: **Christopher L. Redmon, Houston, Tex.**

Primary Examiner—Terry A. Wallace
Attorney, Agent, or Firm—Pravel, Hewitt, Kimball & Krieger

[73] Assignee: **Cooler Concepts, Inc., Houston, Tex.**

[**] Term: **14 Years**

[57] **CLAIM**

[21] Appl. No.: **4,852**

The ornamental design for styrofoam ice chest, as shown and described.

[22] Filed: **Feb. 12, 1993**

[52] U.S. Cl. **D7/606**

DESCRIPTION

[58] Field of Search D7/604, 606, 514, 539, D7/544; D3/30.1; D9/307; 62/457.1, 457.7, 371, 530; 206/457; 220/412; 215/286

FIG. 1 is a front elevational view of a styrofoam ice chest showing my new design, the opposite side being a mirror image;

[56] **References Cited**

FIG. 2 is a left side elevational view thereof, the opposite side being a mirror image; and,

U.S. PATENT DOCUMENTS

FIG. 3 is a top plan view thereof.

D. 271,173 11/1983 Kashishian D7/604

The undisclosed bottom view is unornamented.

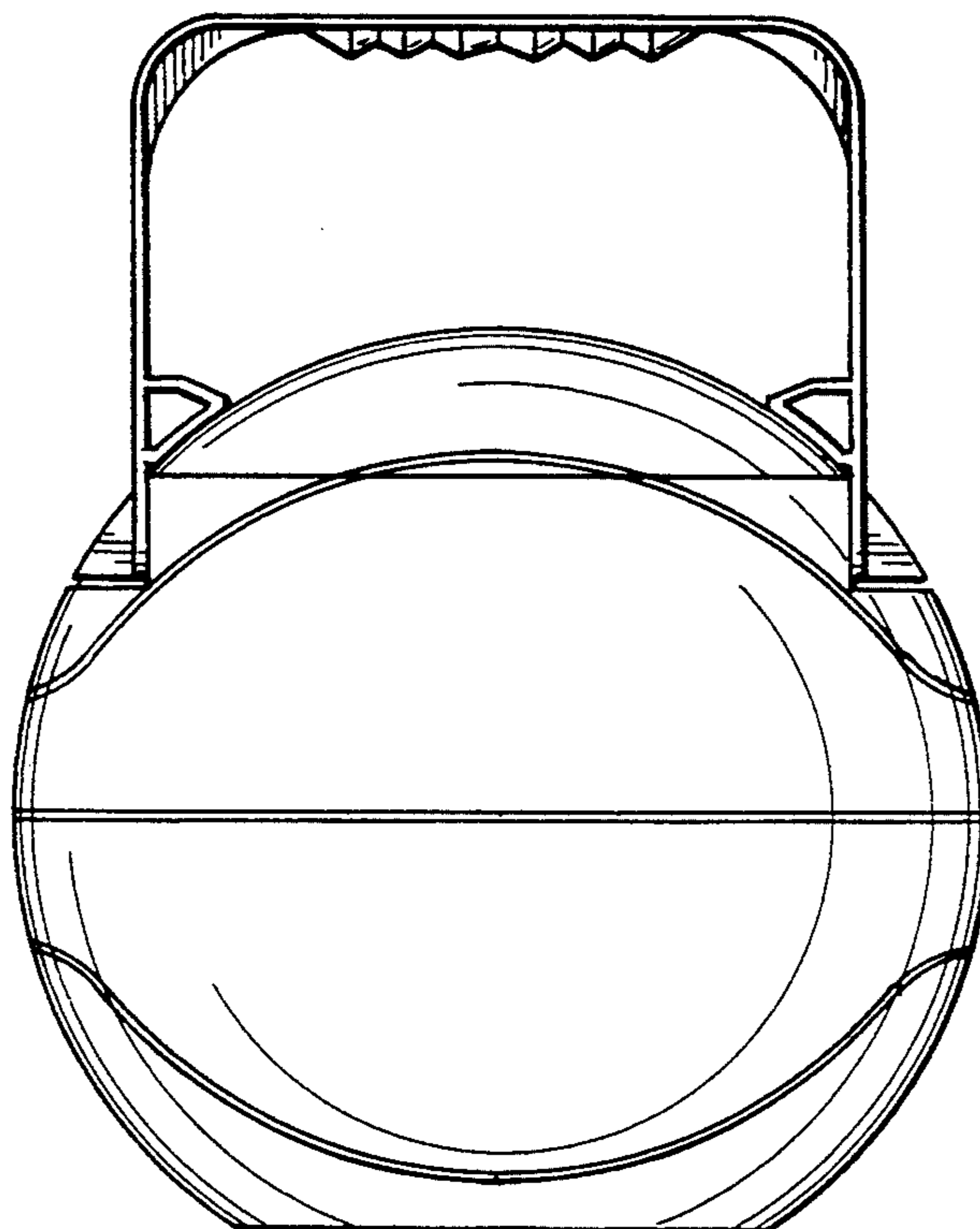


FIG. 1

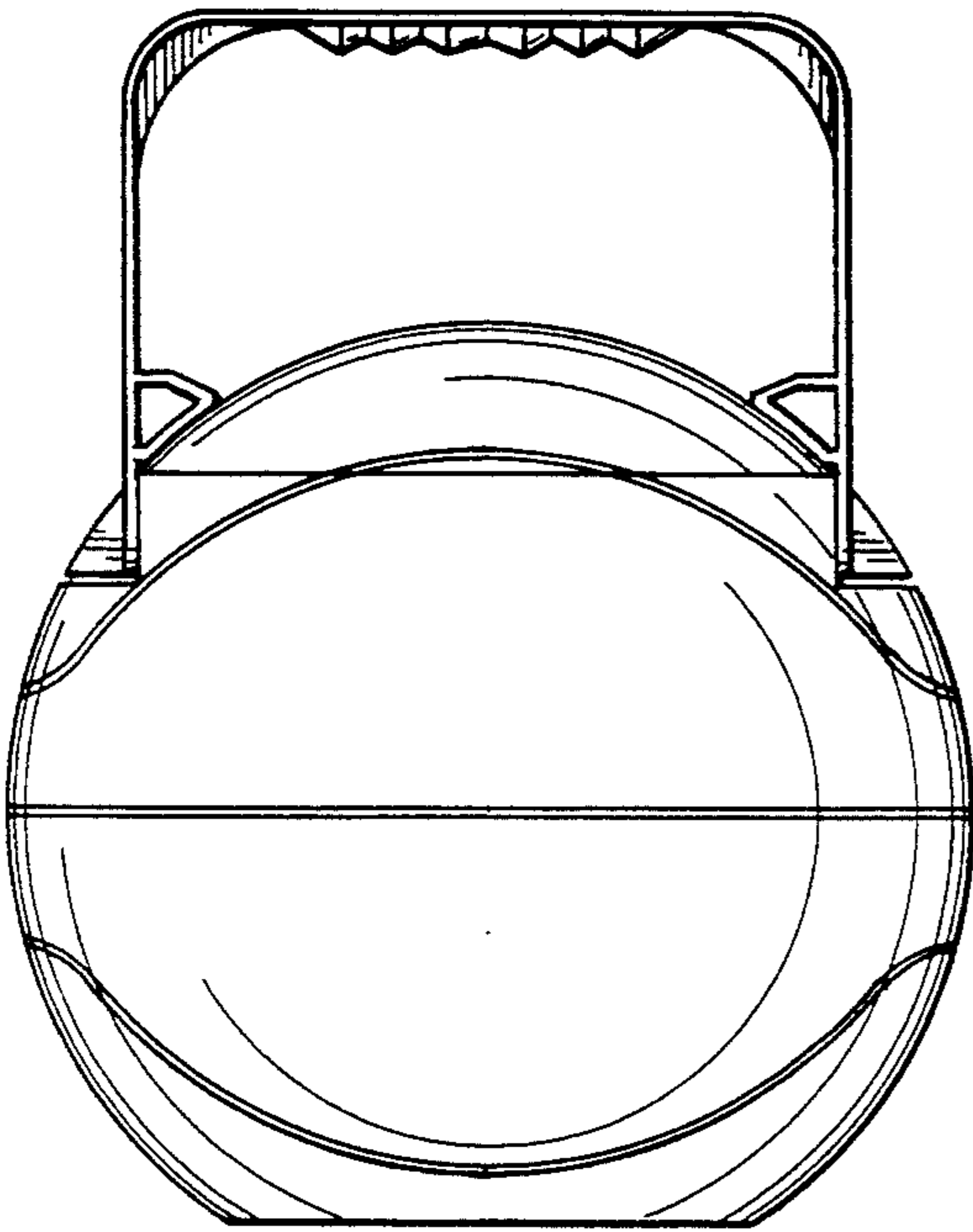


FIG. 2

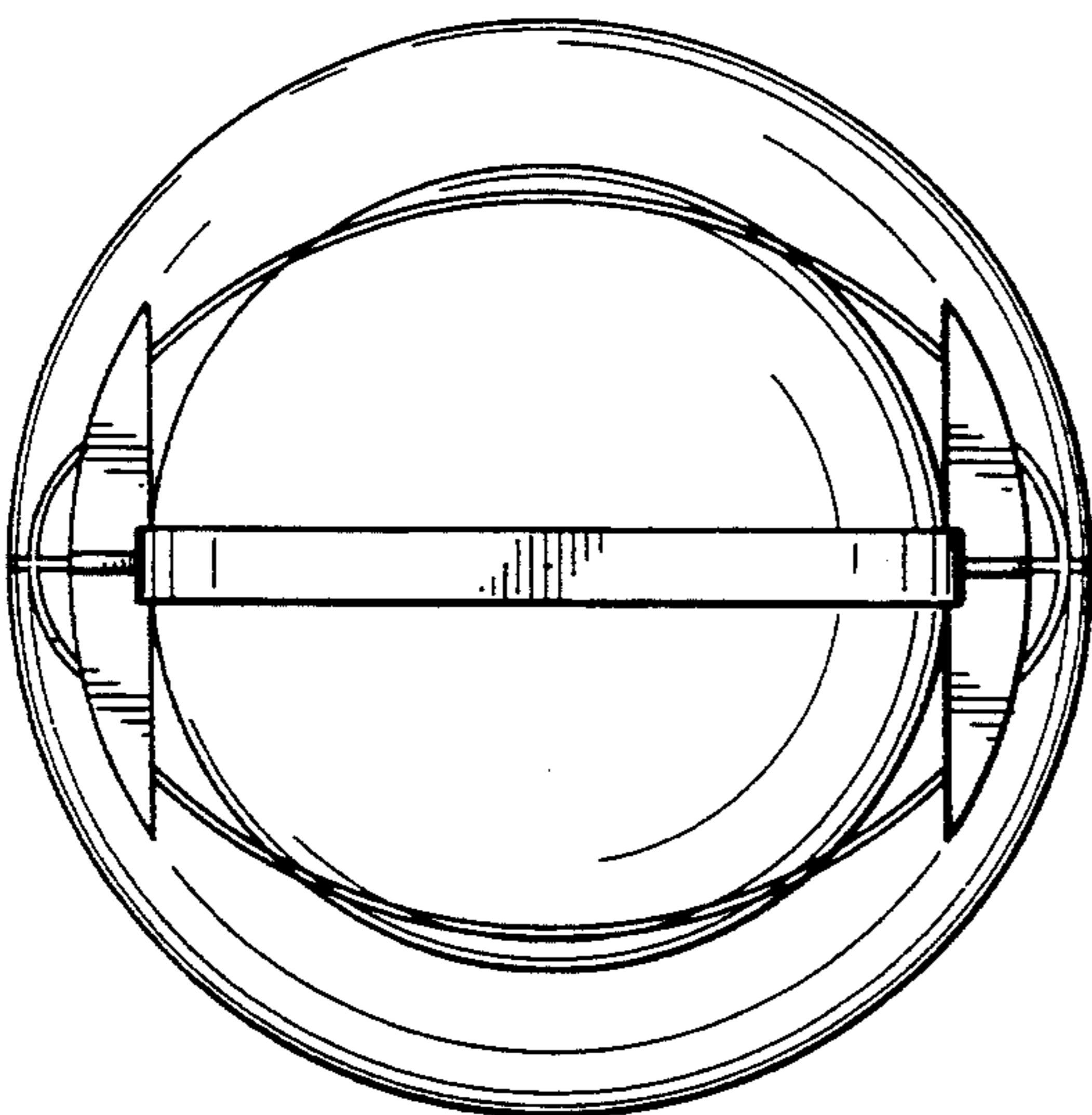
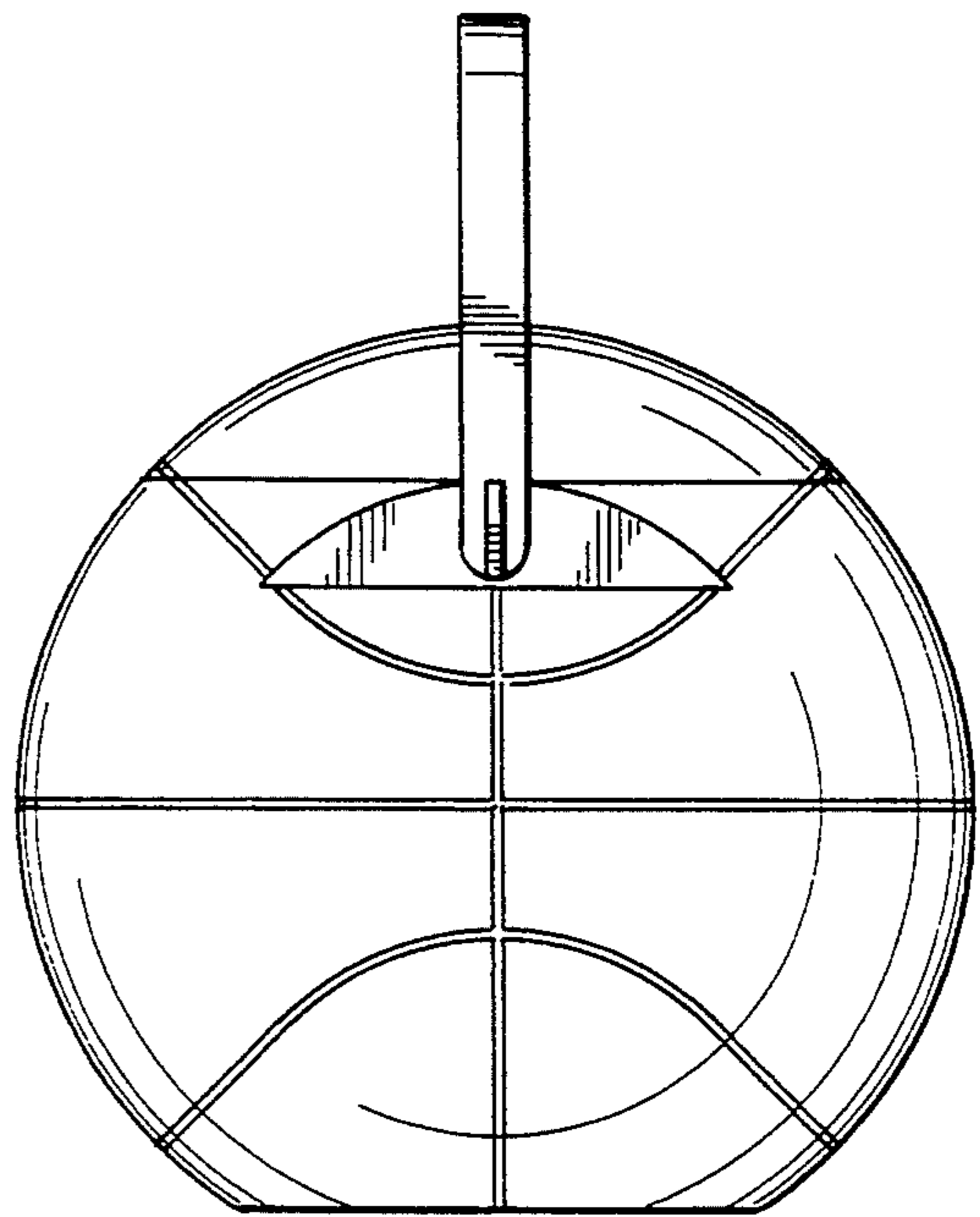


FIG. 3