



US00D349629S

United States Patent [19]

[11] Patent Number: **Des. 349,629**

Redmon

[45] Date of Patent: **** Aug. 16, 1994**

[54] **STYROFOAM ICE CHEST**

D. 271,173 11/1983 Keshishian D7/604
D. 327,816 7/1992 Paullin D7/514 X

[75] Inventor: **Christopher L. Redmon, Houston, Tex.**

Primary Examiner—Terry A. Wallace
Attorney, Agent, or Firm—Pravel, Hewitt, Kimball & Krieger

[73] Assignee: **Cooler Concepts, Inc., Houston, Tex.**

[**] Term: **14 Years**

[57] CLAIM

[21] Appl. No.: **4,850**

The ornamental design for styrofoam ice chest, as shown and described.

[22] Filed: **Feb. 12, 1993**

[52] U.S. Cl. **D7/606**

DESCRIPTION

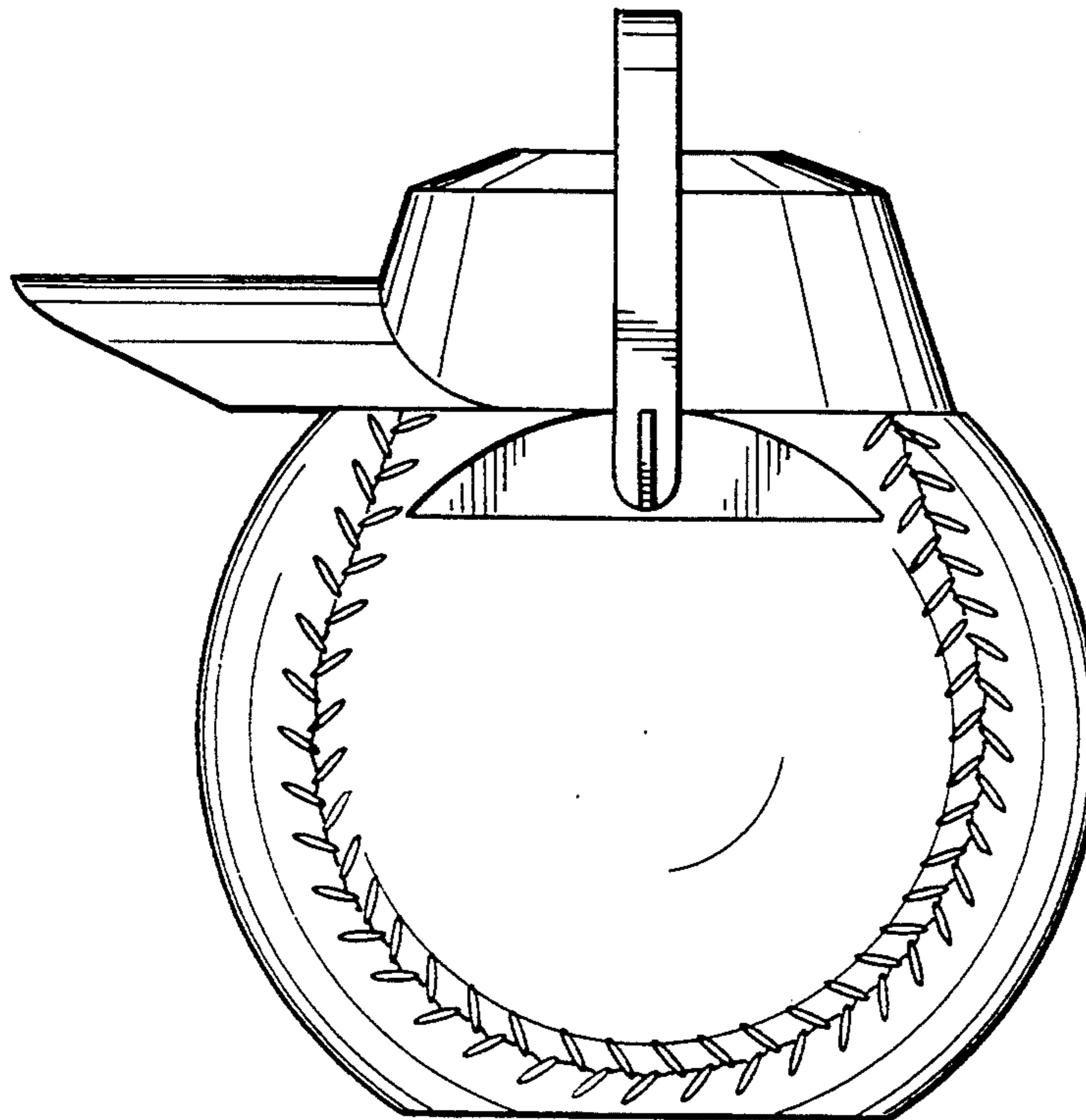
[58] Field of Search D7/604, 606, 514, 539, D7/544; D3/30.1; D9/307; 62/457.1, 457.7, 371, 530; 206/457; 215/286; 220/412

FIG. 1 is a front elevational view of a styrofoam ice chest showing my new design;
FIG. 2 is a right side elevational view thereof, the opposite side being a mirror image;
FIG. 3 is a top plan view thereof; and,
FIG. 4 is a rear elevational view thereof.
The undisclosed bottom view is unornamented.

[56] References Cited

U.S. PATENT DOCUMENTS

D. 218,349 8/1970 Feeney D7/604



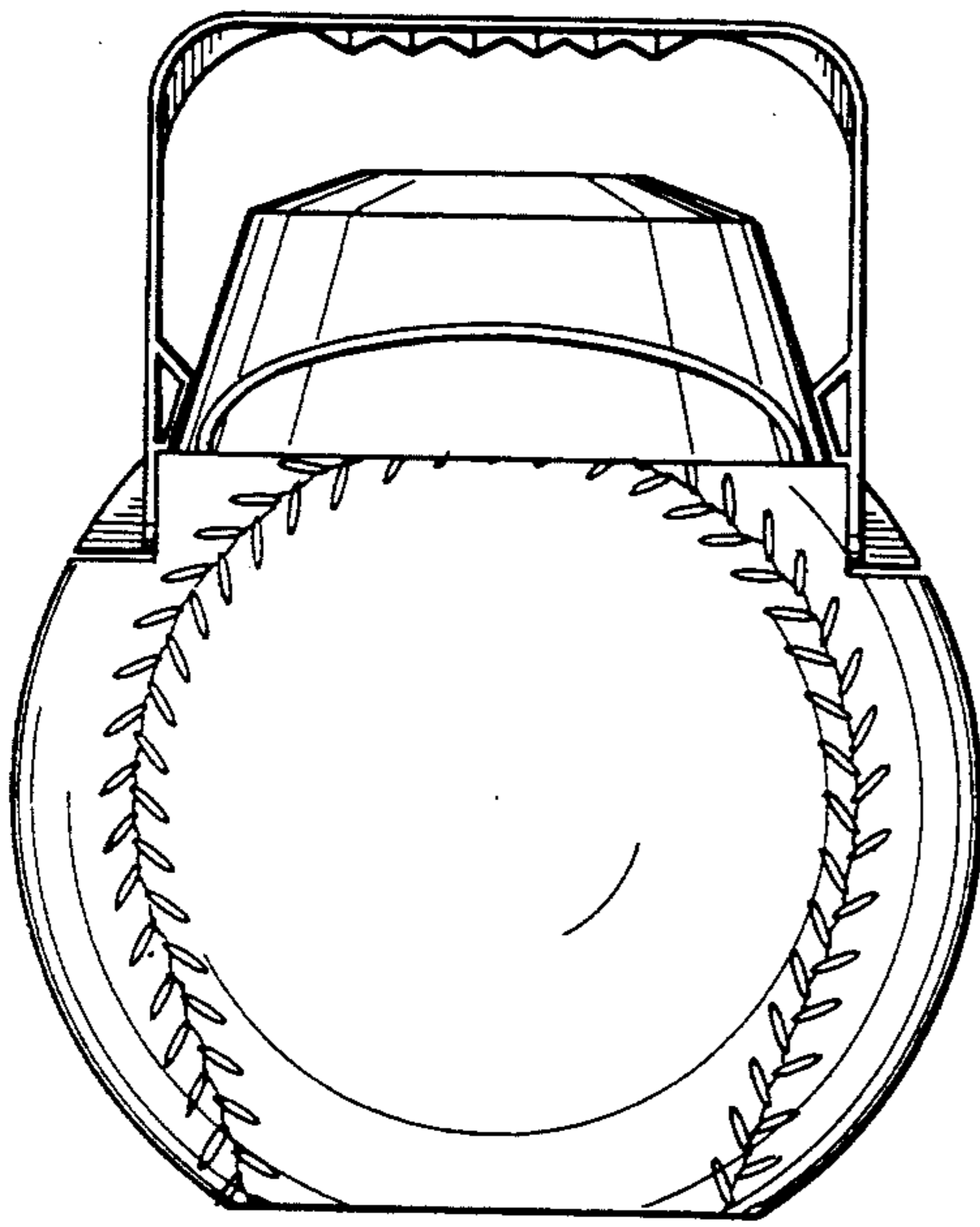


FIG. 1

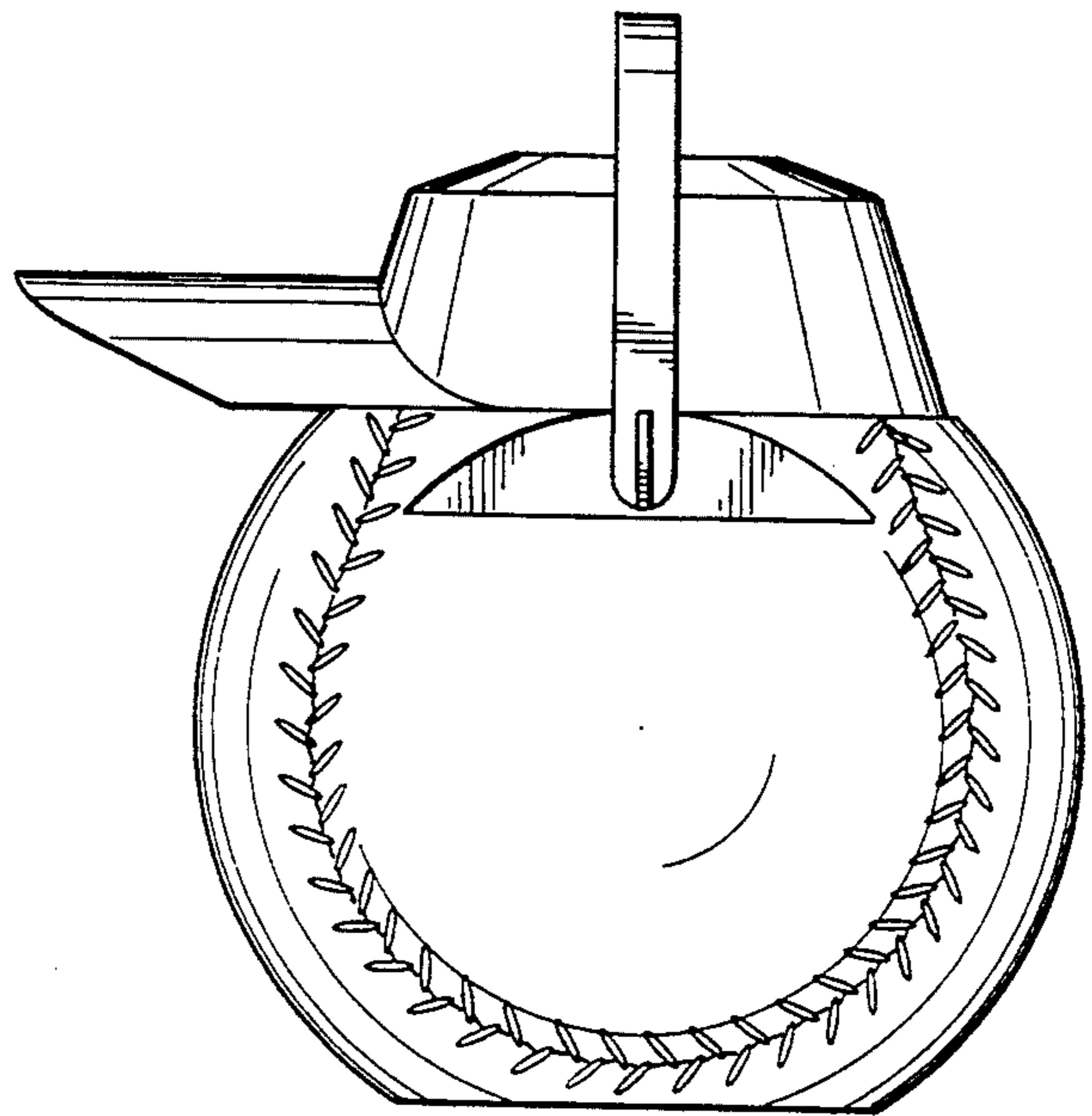


FIG. 2

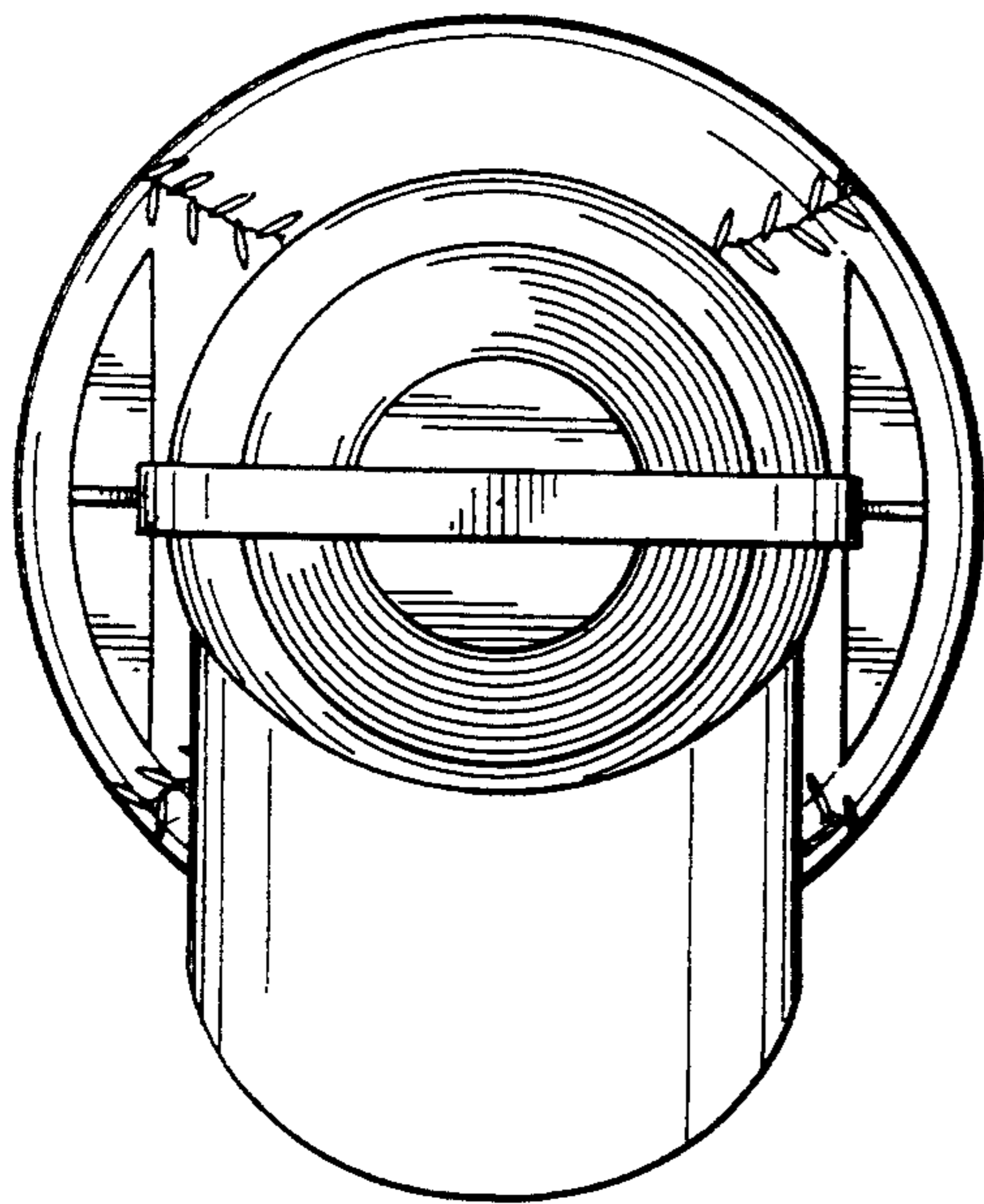


FIG. 3

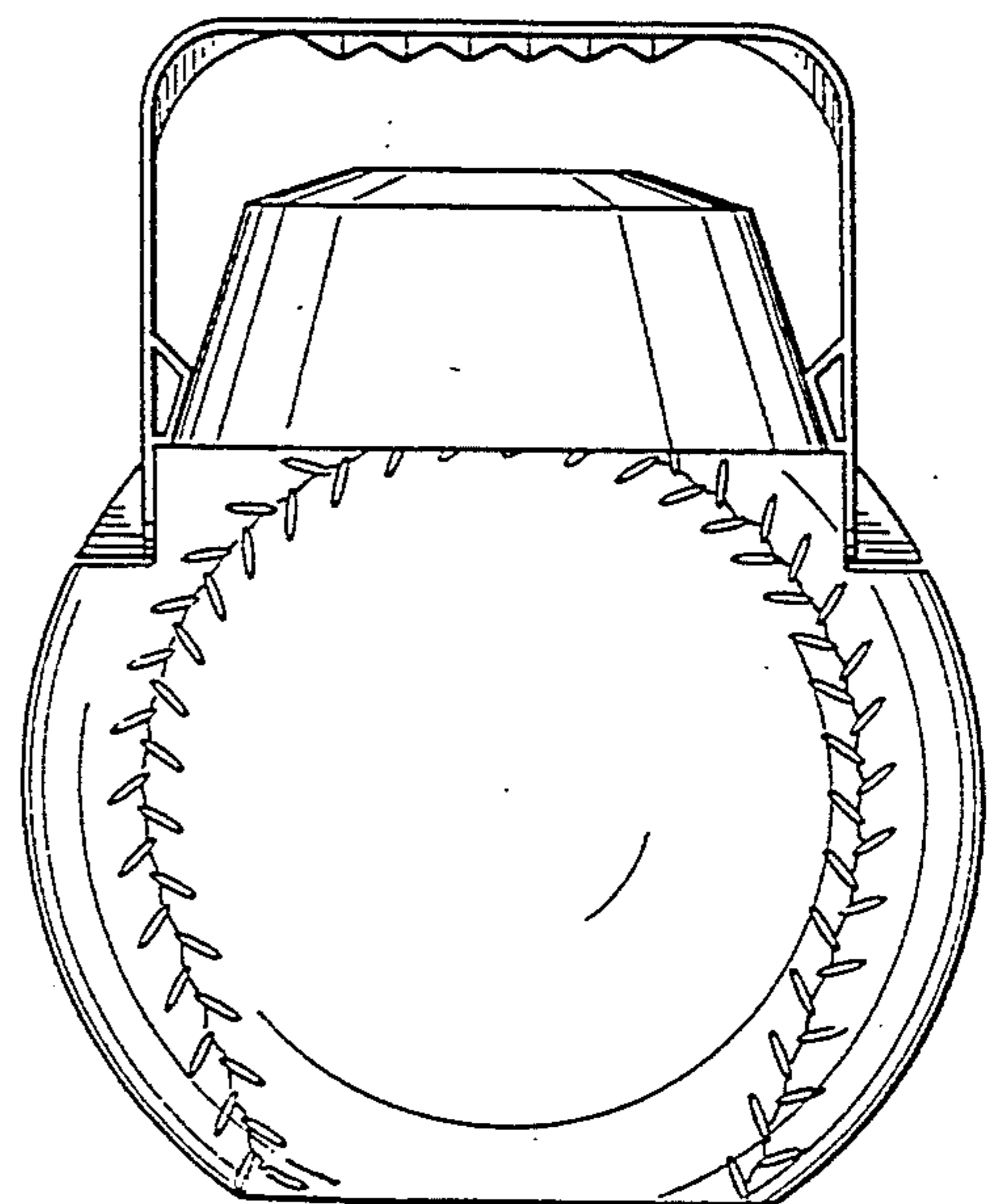


FIG. 4