



US00D349625S

# United States Patent [19]

[11] Patent Number: **Des. 349,625**

**Dapalma**

[45] Date of Patent: **\*\* Aug. 16, 1994**

[54] **COMBINED BEACH TOWEL AND INFLATABLE HEADREST**

FOREIGN PATENT DOCUMENTS

[76] Inventor: **John da Palma, 5227 Rorer St., Philadelphia, Pa. 19120**

398584 9/1933 United Kingdom ..... 5/449

[\*\*] Term: **14 Years**

*Primary Examiner*—James M. Gandy  
*Assistant Examiner*—Lisa Lichtenstein  
*Attorney, Agent, or Firm*—Terry M. Gernstein

[21] Appl. No.: **873,074**

[57] **CLAIM**

[22] Filed: **Apr. 24, 1992**

The ornamental design for a combined beach towel and inflatable headrest, as shown and described.

[52] U.S. Cl. .... **D6/596; D6/604; D6/608**

**DESCRIPTION**

[58] Field of Search ..... **D6/595, 596, 601, 603, D6/608; 5/417-420; D2/25**

FIG. 1 is a perspective view of the combined beach towel and inflatable headrest embodying the design of the present invention;

[56] **References Cited**

**U.S. PATENT DOCUMENTS**

D. 280,170	8/1985	Short	.....	D6/608
2,264,471	12/1941	Glenn	.....	D6/603
2,883,682	4/1959	Kwake	.....	D6/603
4,200,942	5/1980	Case	.....	5/419

FIG. 2 is a top plan view thereof;

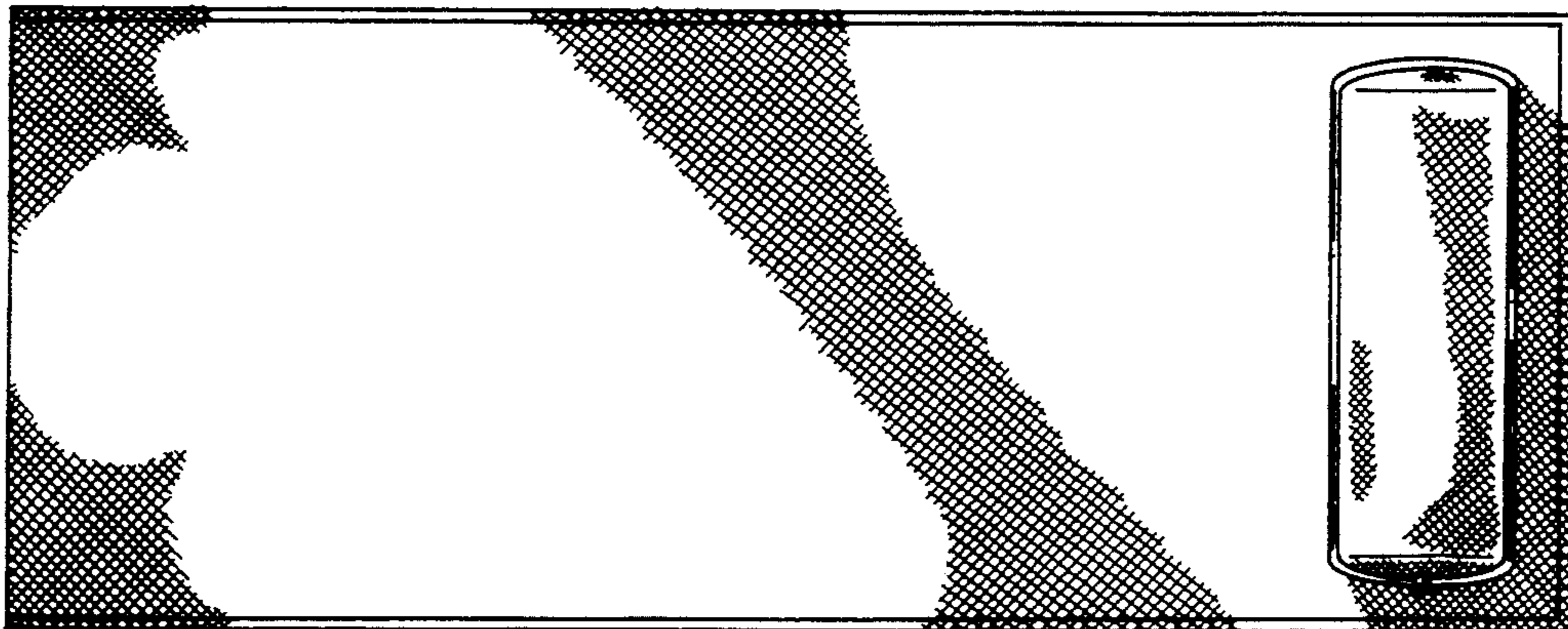
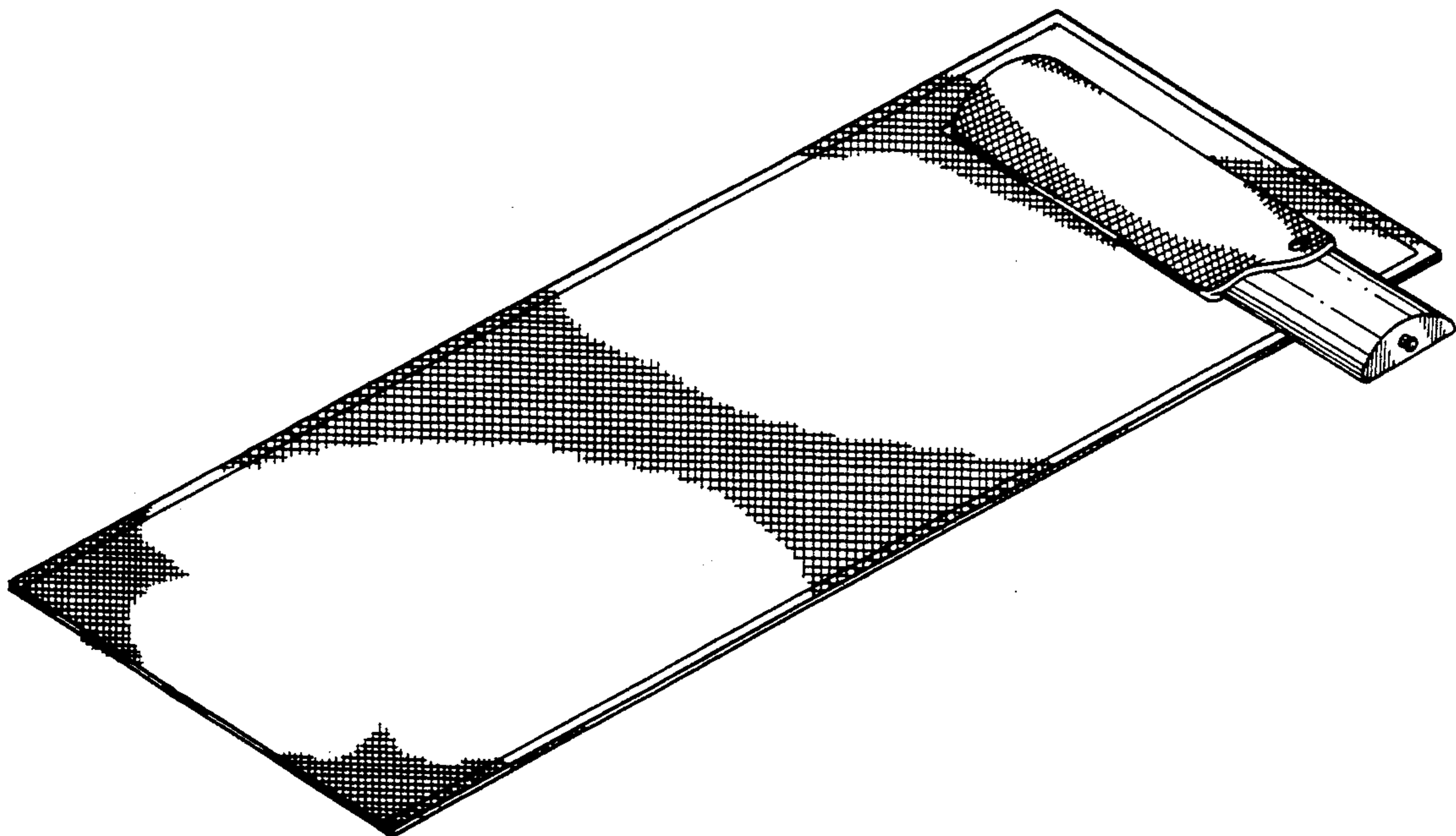
FIG. 3 is a bottom plan view thereof;

FIG. 4 is a side elevational view thereof;

FIG. 5 is a side elevational view thereof;

FIG. 6 is an end elevational view thereof; and,

FIG. 7 is an end elevational view thereof.



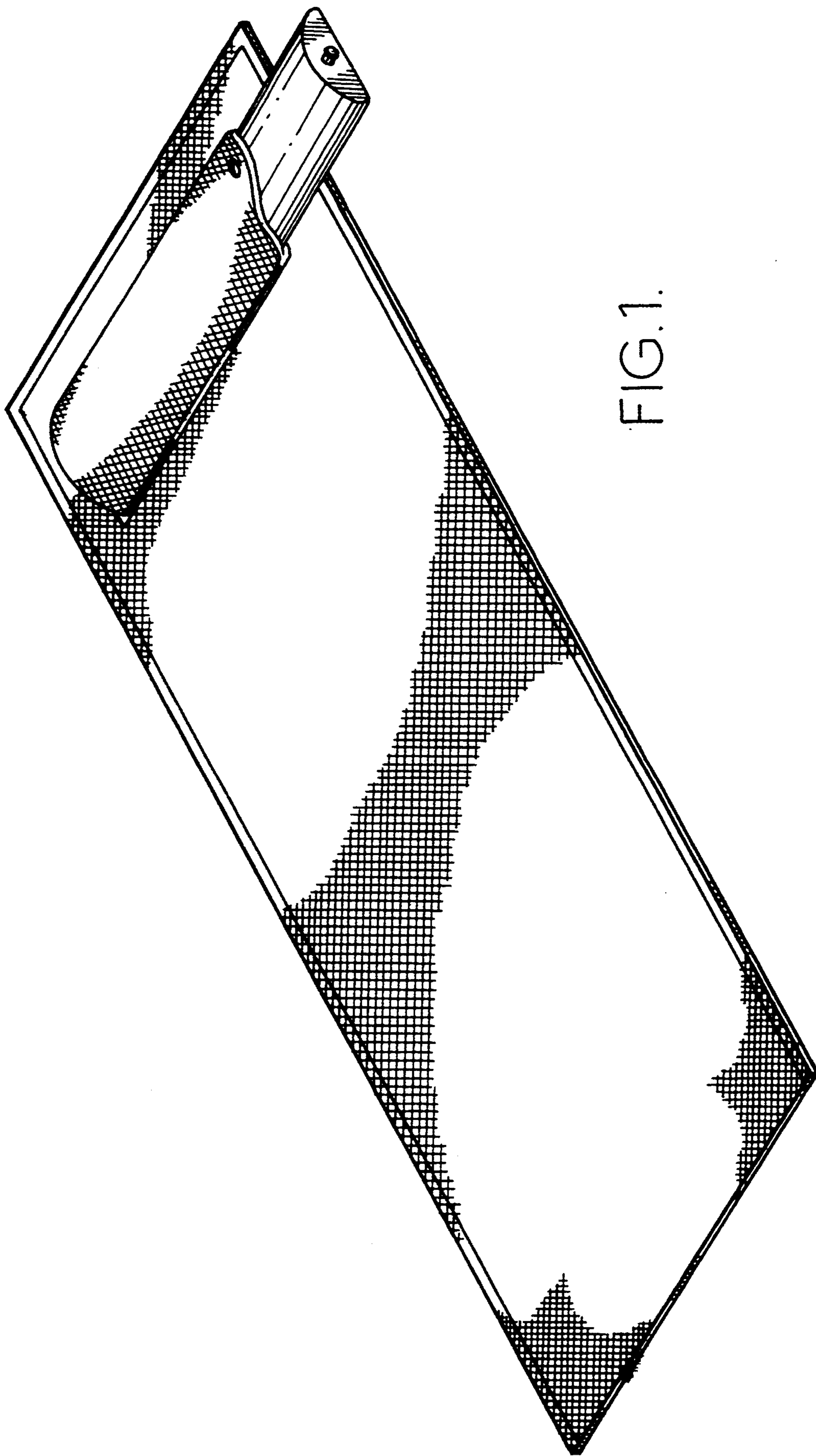


FIG.1.

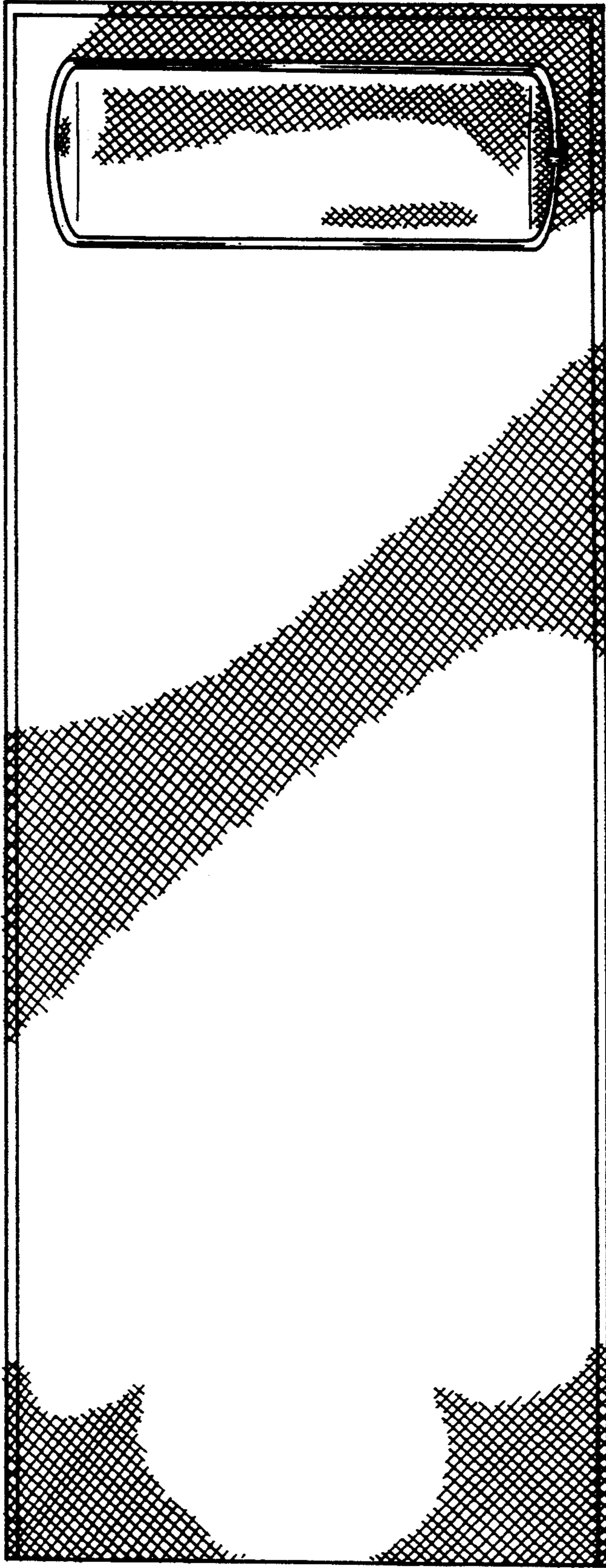


FIG. 2.



FIG. 4.

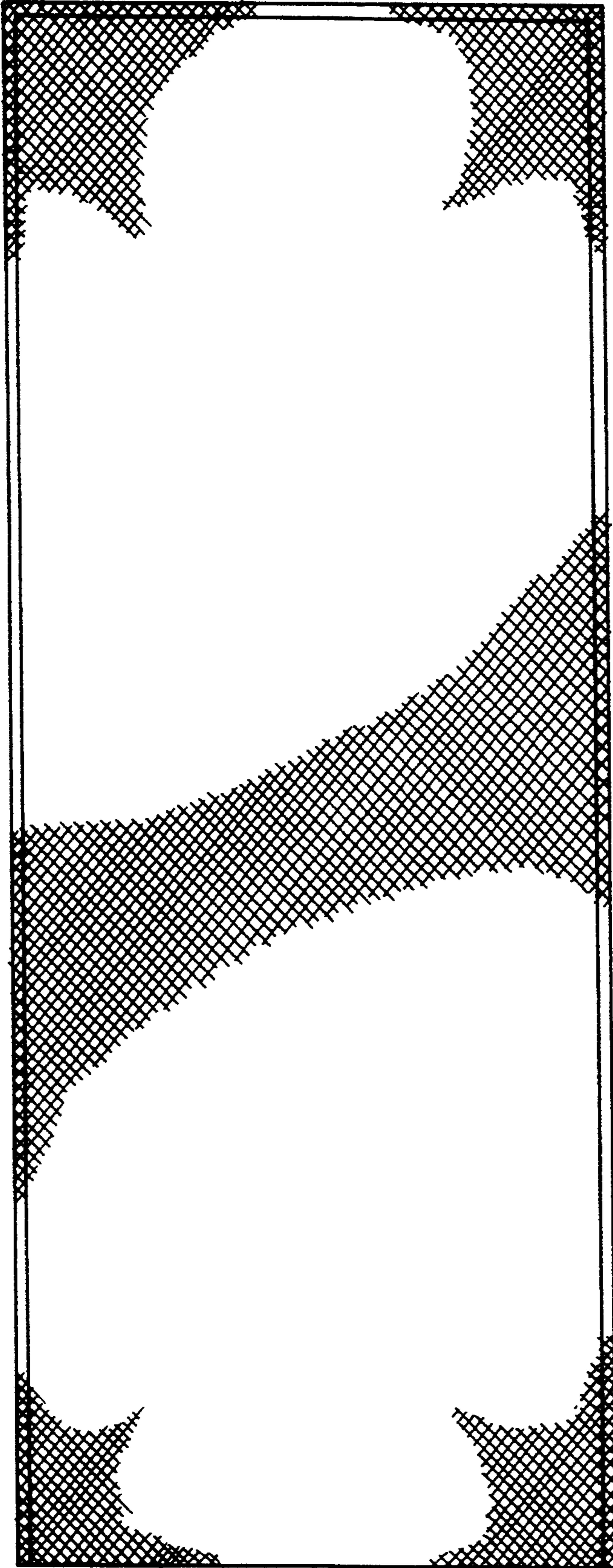


FIG. 3.



FIG. 5.

FIG. 6.

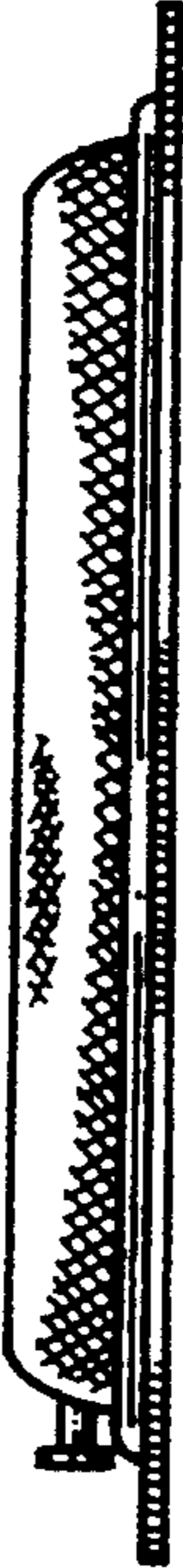


FIG. 7.

