



US00D349624S

United States Patent [19]

[11] Patent Number: **Des. 349,624**

Fraser et al.

[45] Date of Patent: **** Aug. 16, 1994**

[54] ENDCAP

[75] Inventors: **Donald E. Fraser**, Owensboro;
Richard N. Anderson, Whitesville,
both of Ky.

[73] Assignee: **Hunter Douglas, Inc.**, Upper Saddle
River, N.J.

[**] Term: **14 Years**

[21] Appl. No.: **854,053**

[22] Filed: **Mar. 19, 1992**

[52] U.S. Cl. **D6/580; D6/577**

[58] Field of Search **D6/580; 160/168.1, 173 R,
160/177 R, 176.1 V, 178.1, 178.2, 902**

[56] **References Cited**

U.S. PATENT DOCUMENTS

D. 162,325	3/1951	Lorentzen	D6/580
2,673,608	3/1954	Nelson	160/178
2,698,727	1/1955	Rutledge	248/264
2,896,902	7/1959	Graber	248/262
3,137,890	6/1964	Kochanowski	16/87.2
4,222,156	7/1980	Anderle	24/73 B
4,267,875	5/1981	Koks	160/176.1 V
4,411,401	10/1983	Anderson	248/262
4,601,319	7/1986	Georgopoulos	160/902 X
4,662,596	5/1987	Haarer	160/902 X
4,919,185	4/1990	Comeau et al.	160/178.1
4,938,443	7/1990	Rowe	248/251

FOREIGN PATENT DOCUMENTS

1435833	5/1976	United Kingdom	F16B 2/20
DM/015863	2/1990	World Int. Prop. O.	25/1
WO91/02135	2/1991	World Int. Prop. O.	E06B 9/323
WO91/13581	9/1991	World Int. Prop. O.	...	A47H 1/144

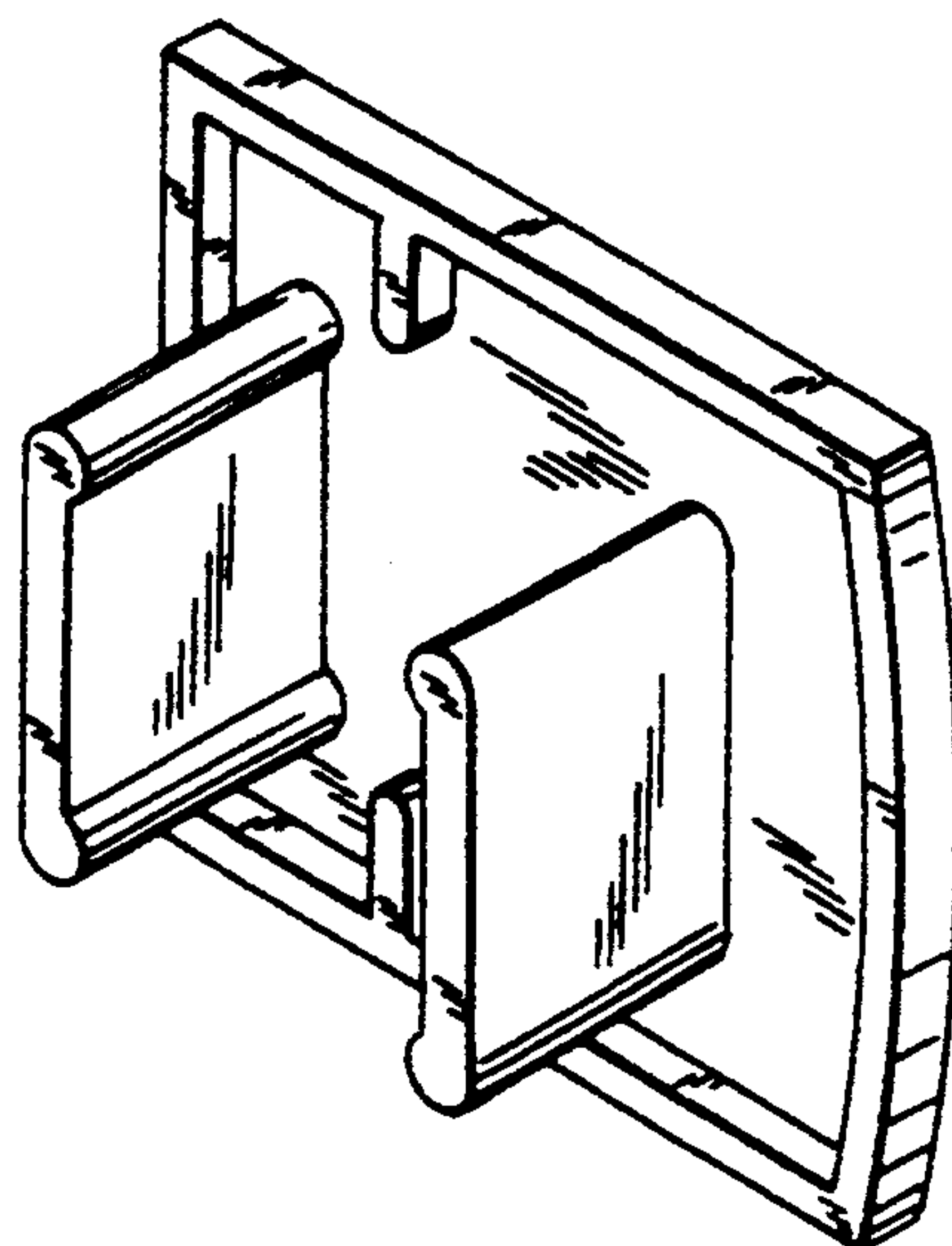
Primary Examiner—Alan P. Douglas
Assistant Examiner—Monica A. Hannon

[57] **CLAIM**

The ornamental design for an endcap, as shown and described.

DESCRIPTION

FIG. 1 is a top, rear, left view of an endcap showing a first embodiment of our new design;
 FIG. 2 is a front view thereof;
 FIG. 3 is a top plan view thereof;
 FIG. 4 is a left side view thereof;
 FIG. 5 is a right side view thereof;
 FIG. 6 is a rear view thereof; and,
 FIG. 7 is a bottom plan view thereof;
 FIG. 8 is a top, rear, left view of an endcap showing a second embodiment of our new design;
 FIG. 9 is a front view thereof;
 FIG. 10 is a top plan view thereof;
 FIG. 11 is a left side view thereof;
 FIG. 12 is a right side view thereof;
 FIG. 13 is a rear view thereof; and,
 FIG. 14 is a bottom plan view thereof.



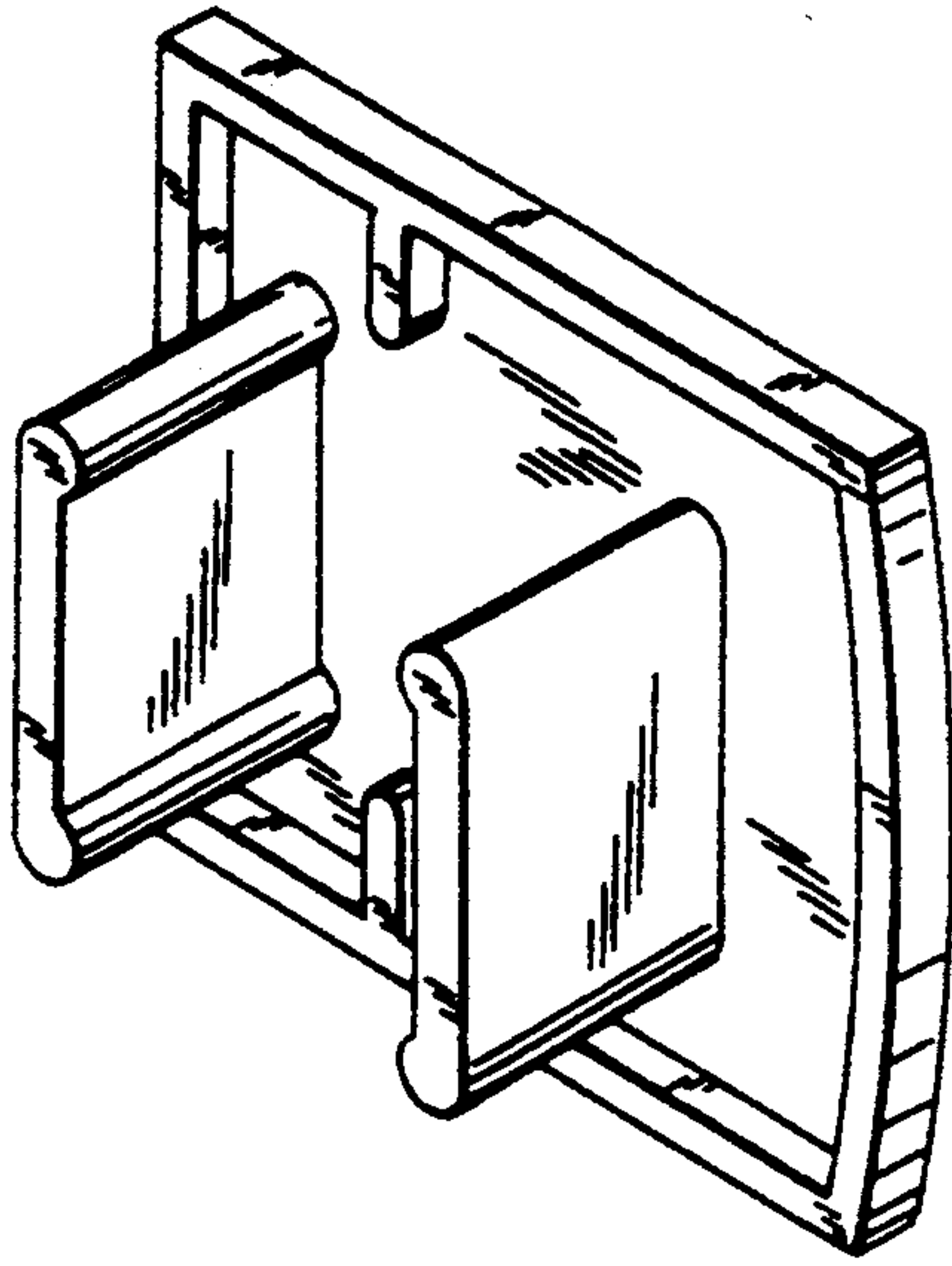


FIG. 1

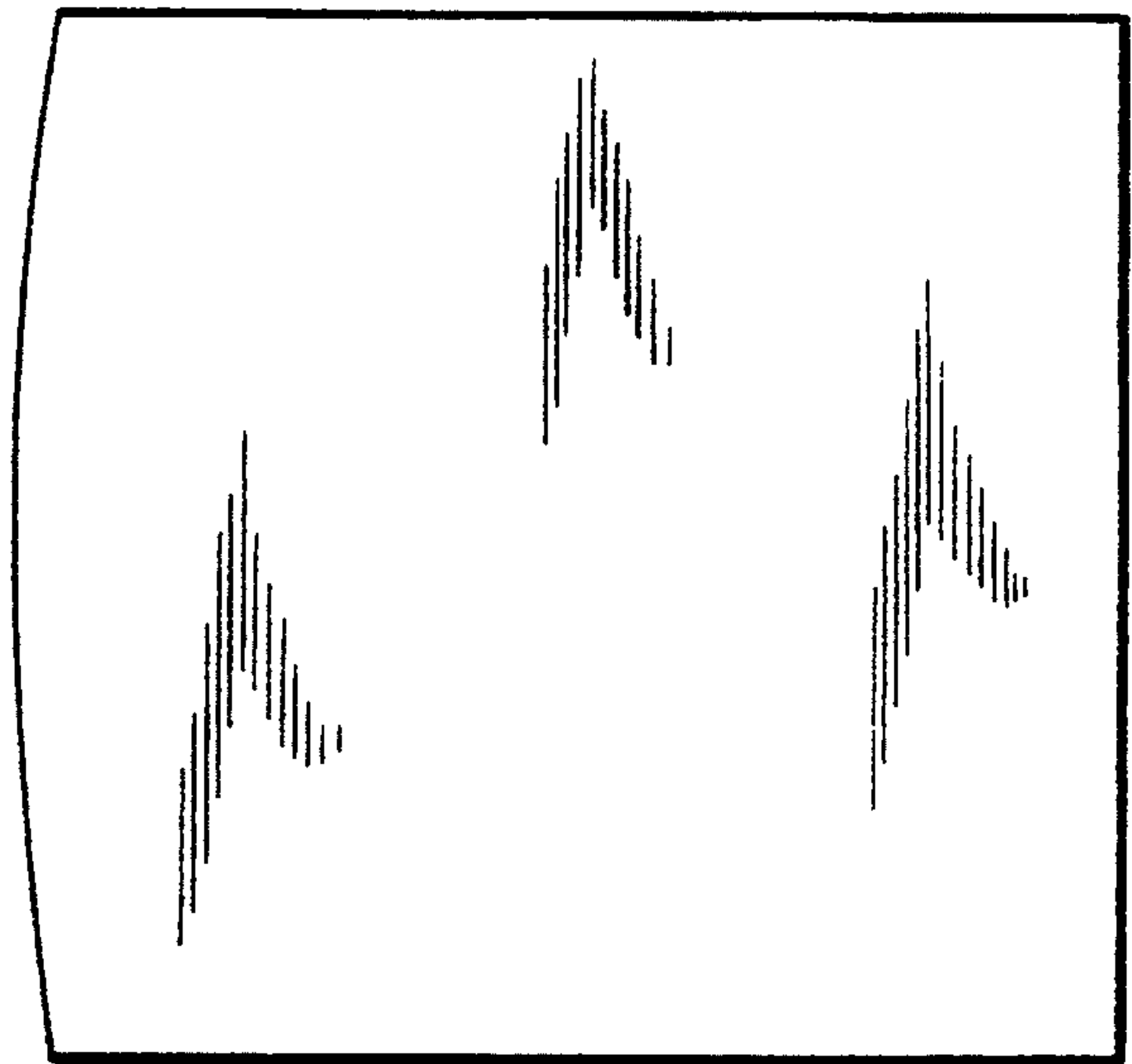


FIG. 2

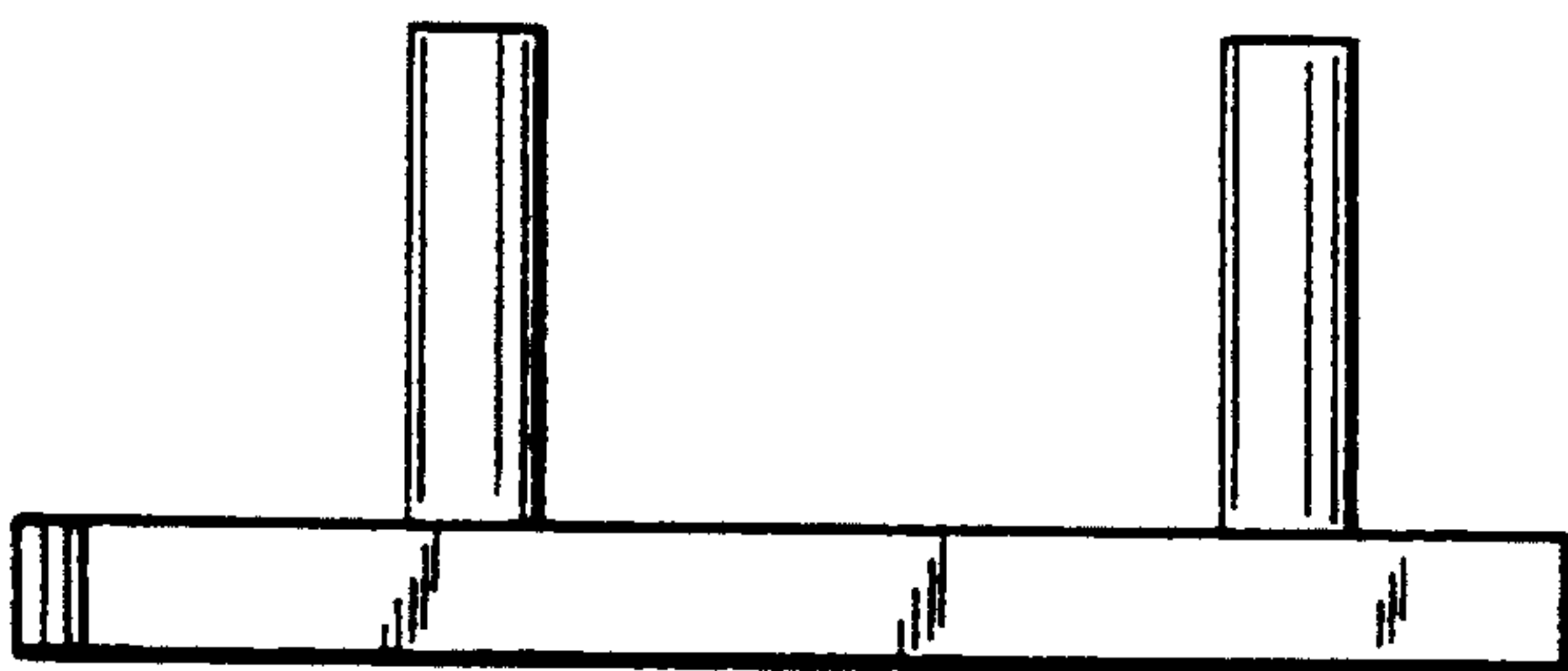


FIG. 3

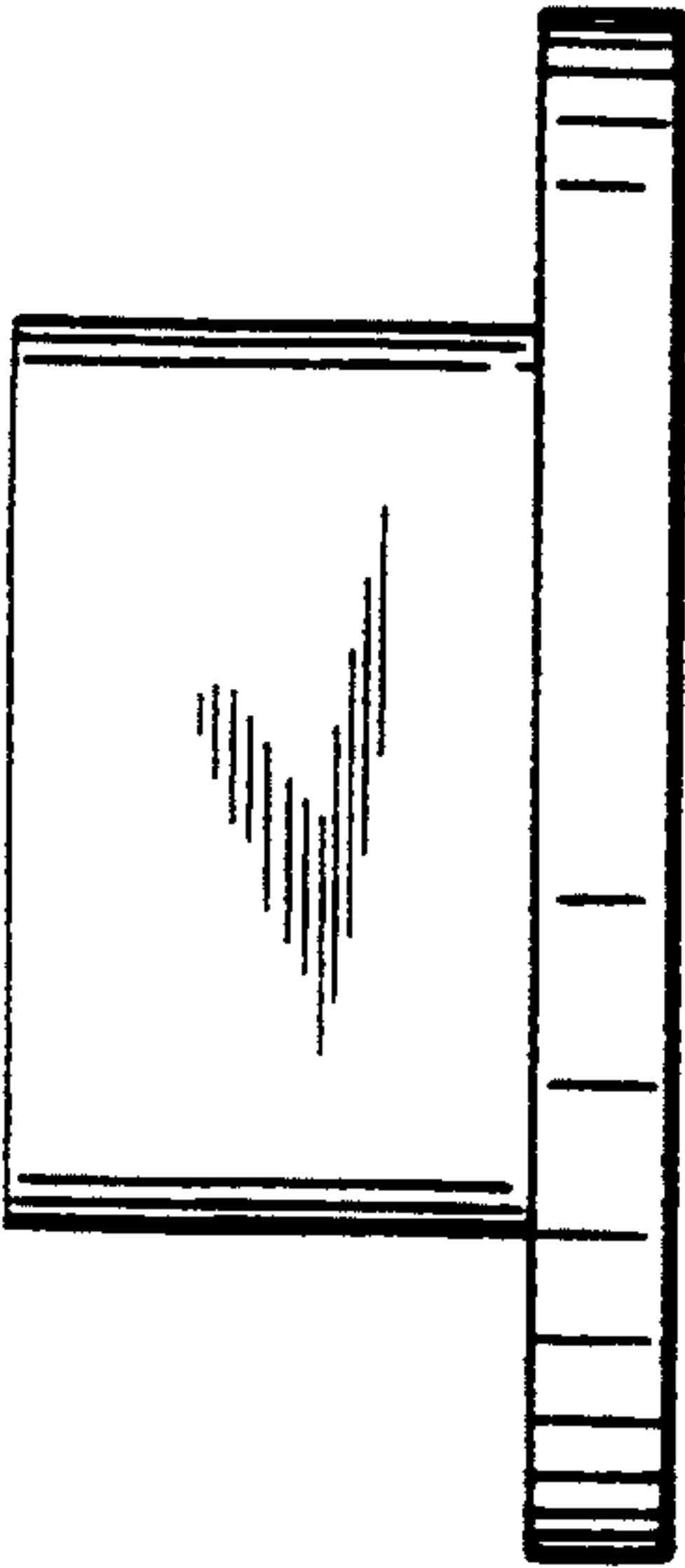


FIG. 4

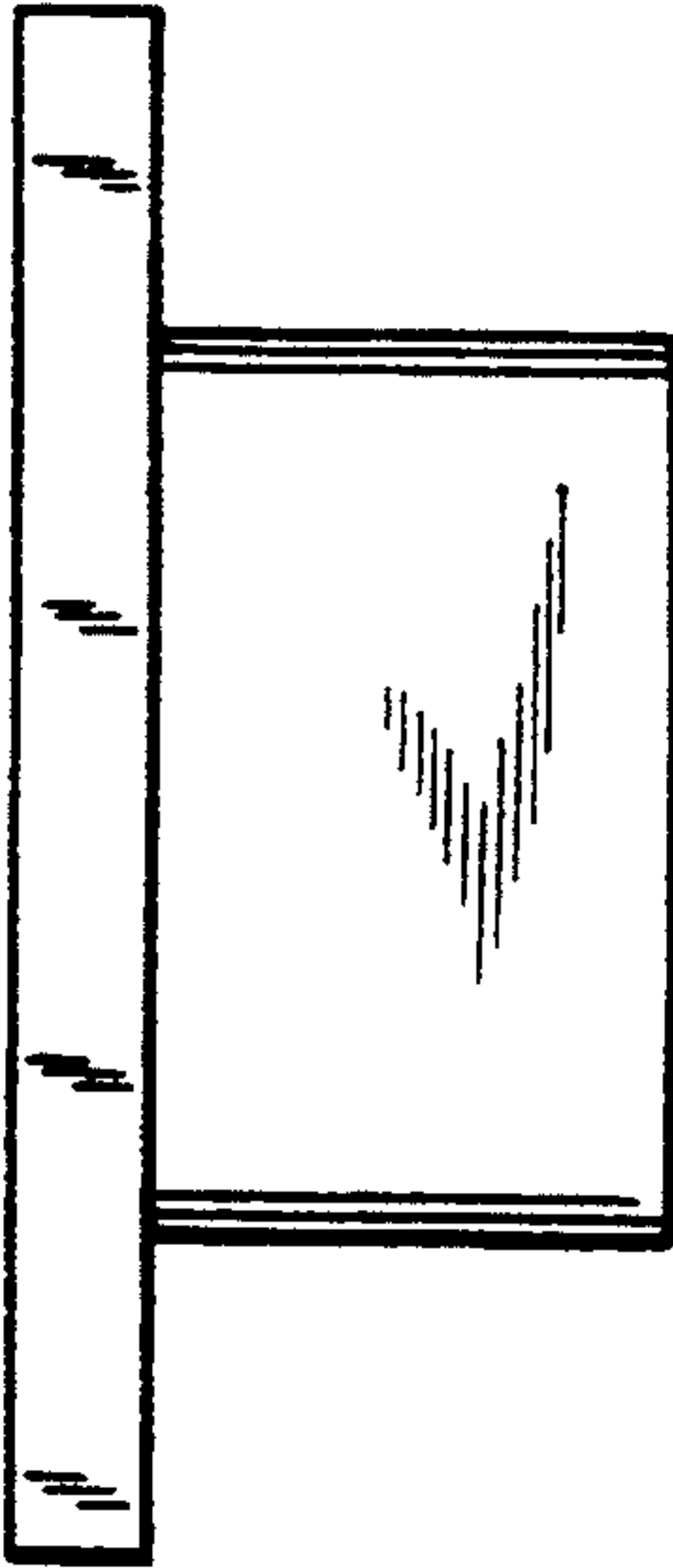


FIG. 5

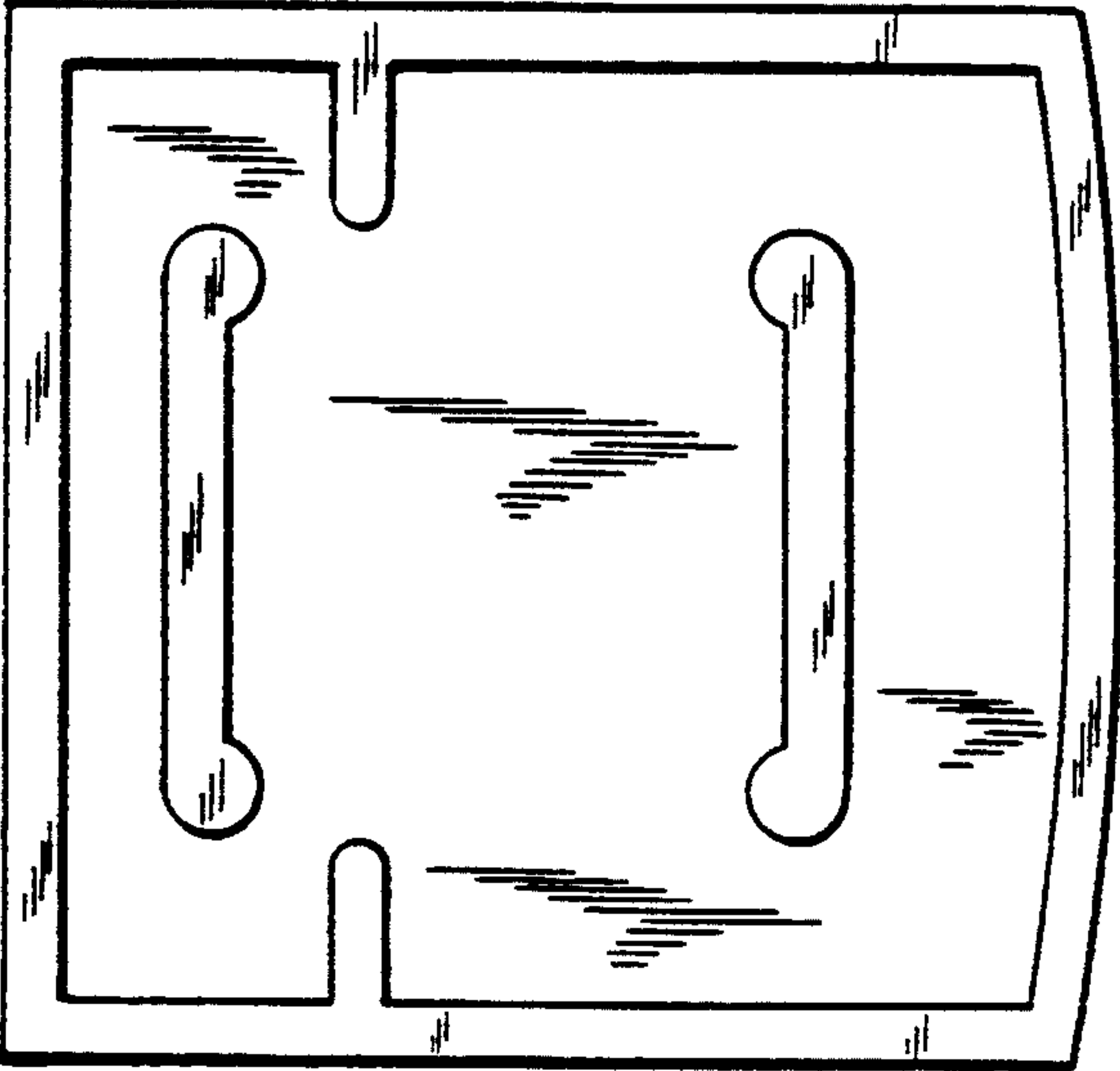


FIG. 6

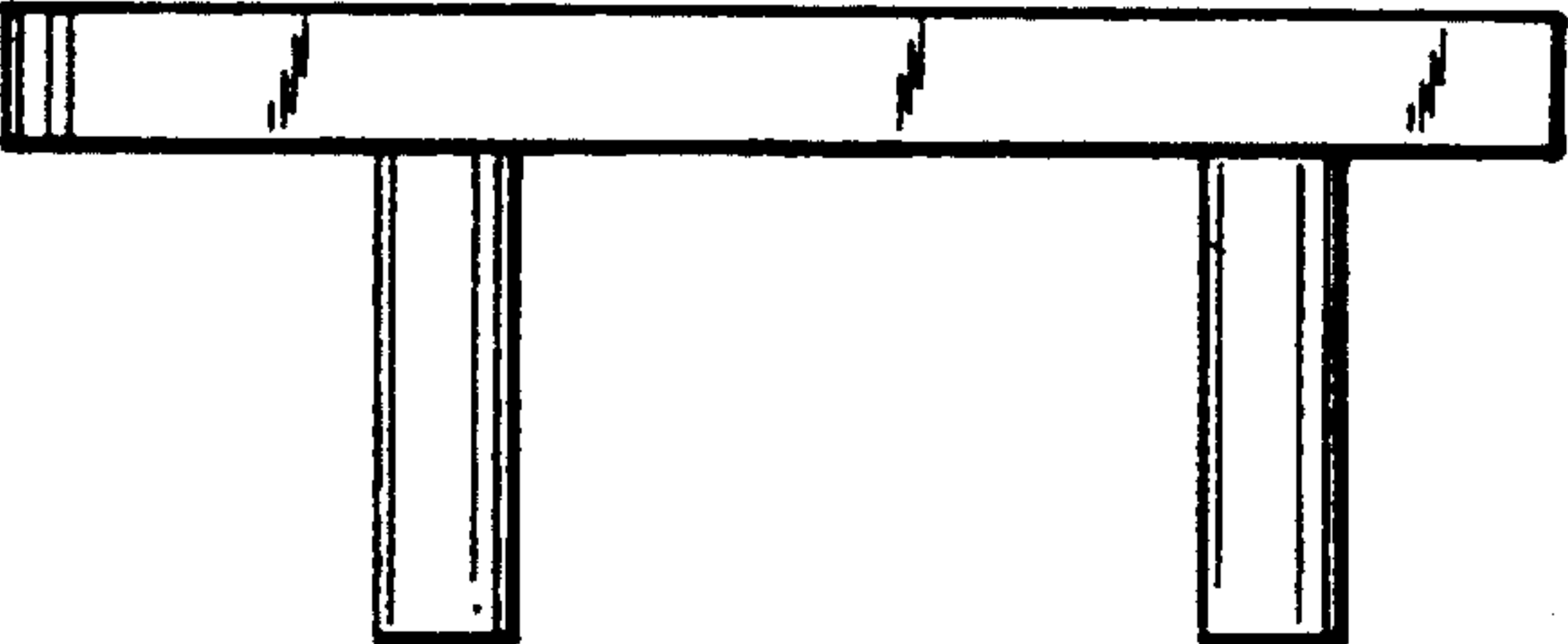


FIG. 7

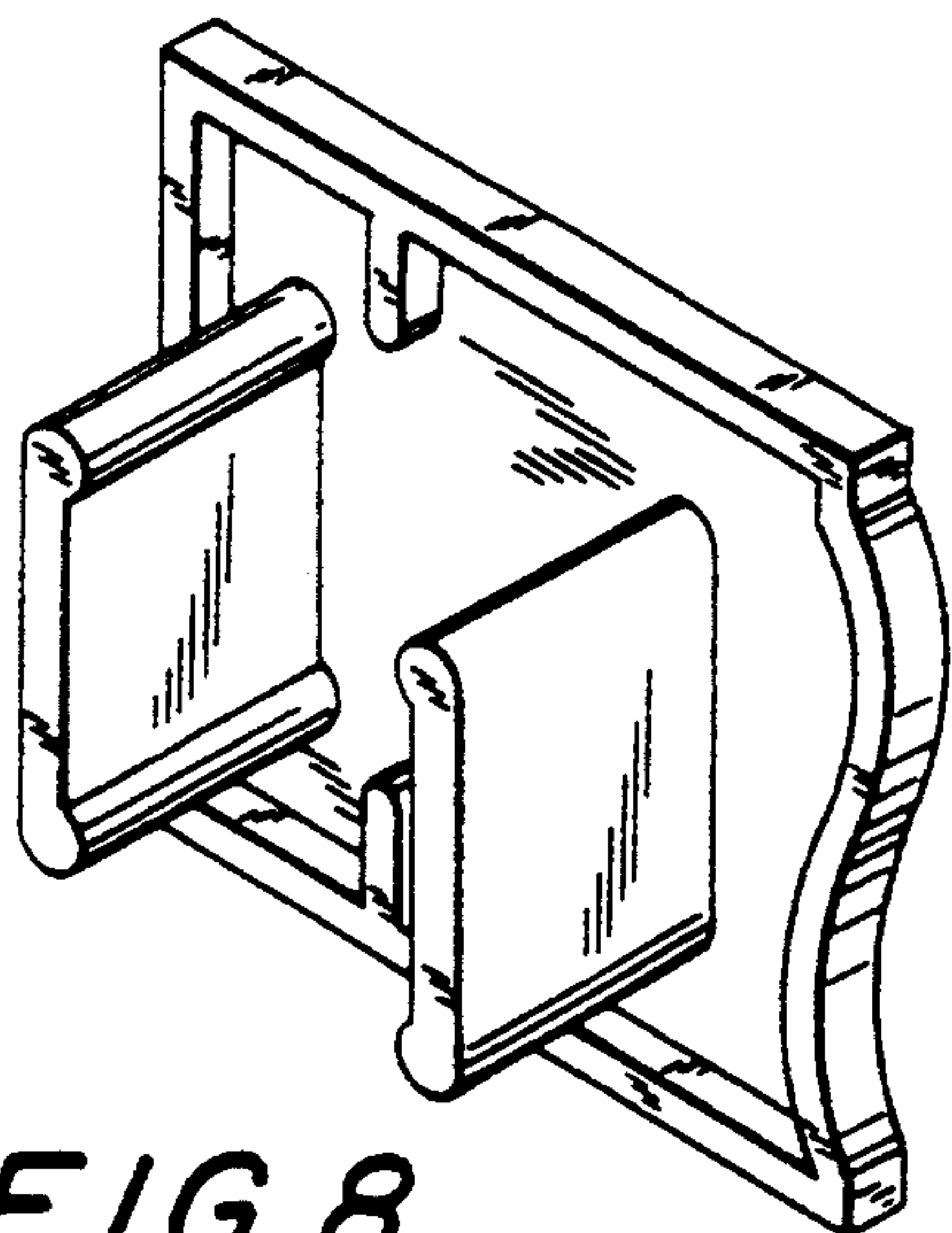


FIG. 8

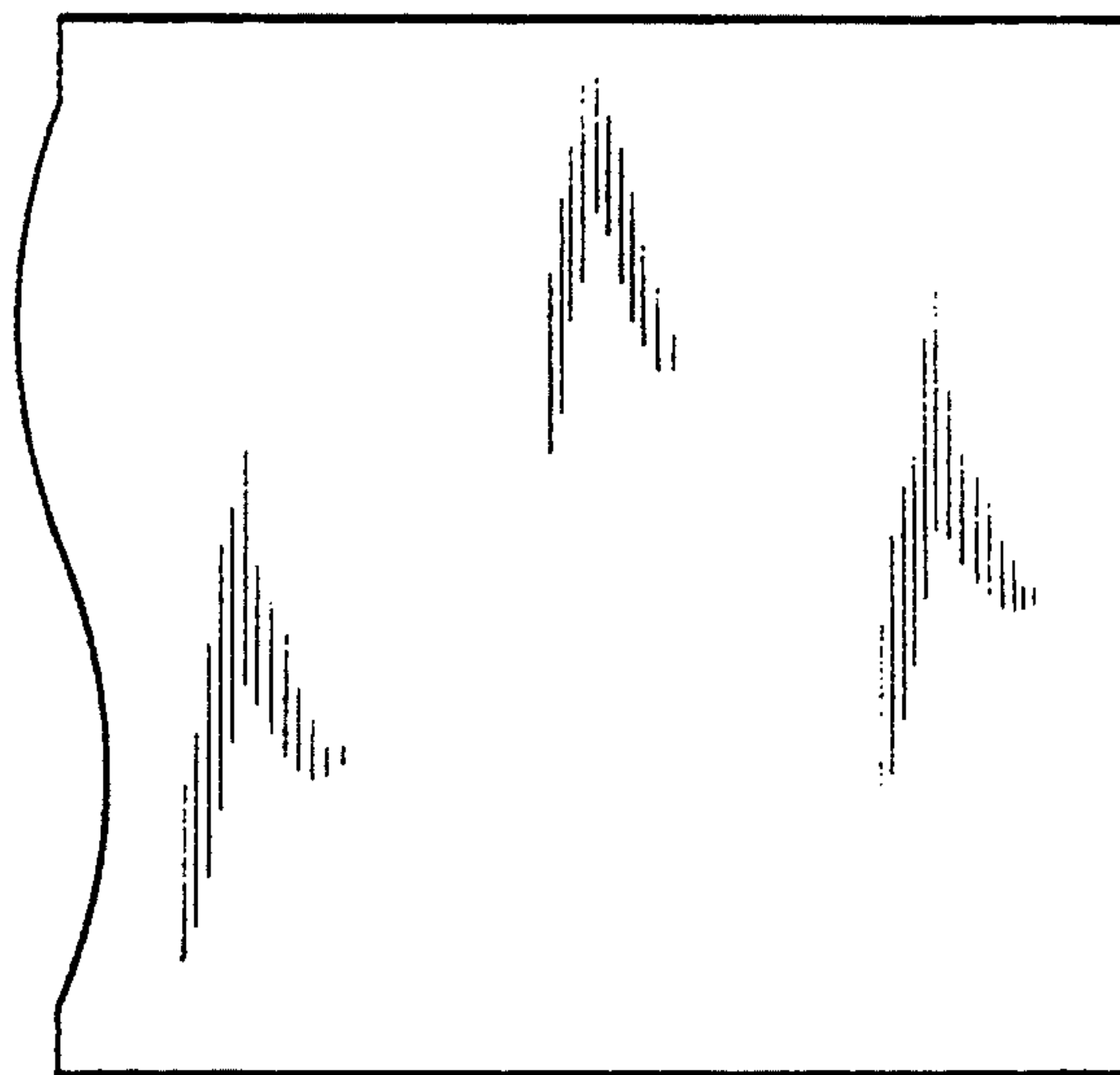


FIG. 9

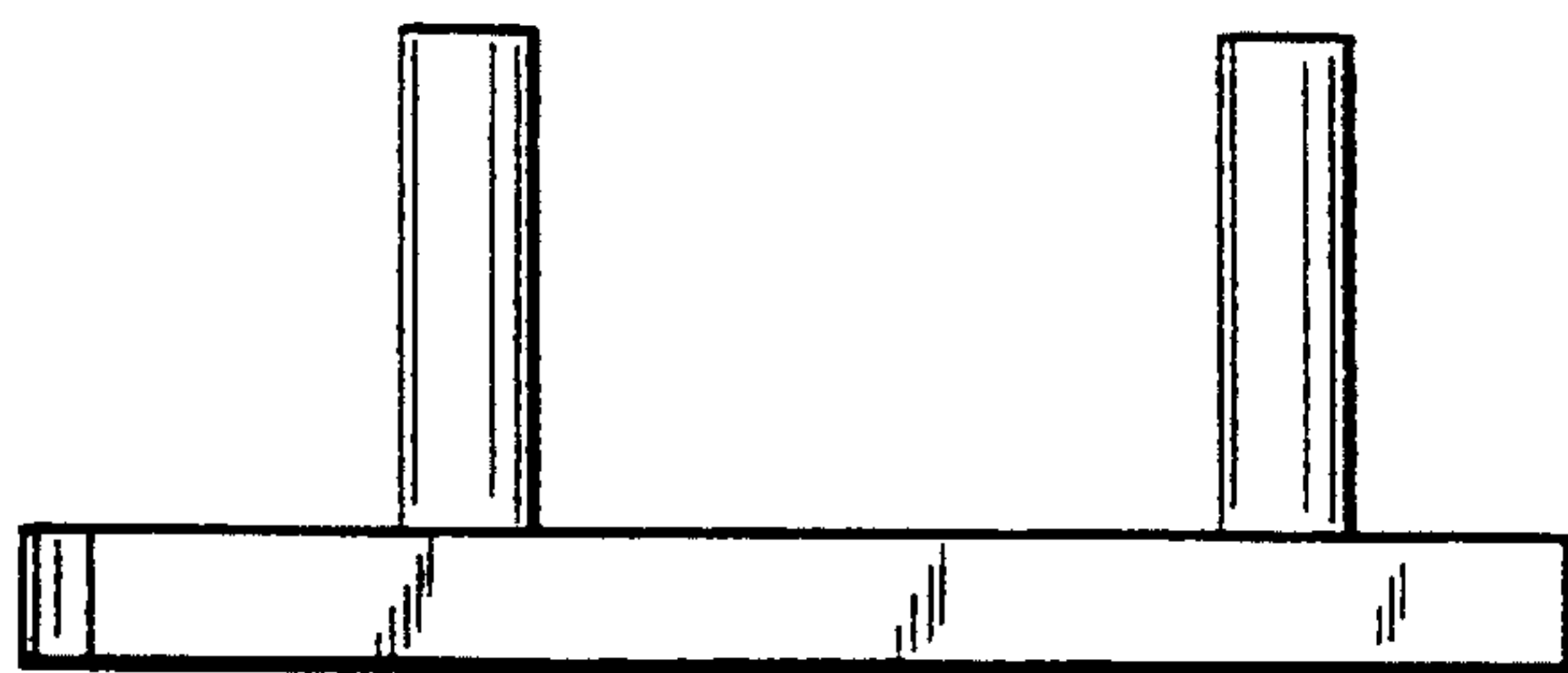


FIG. 10

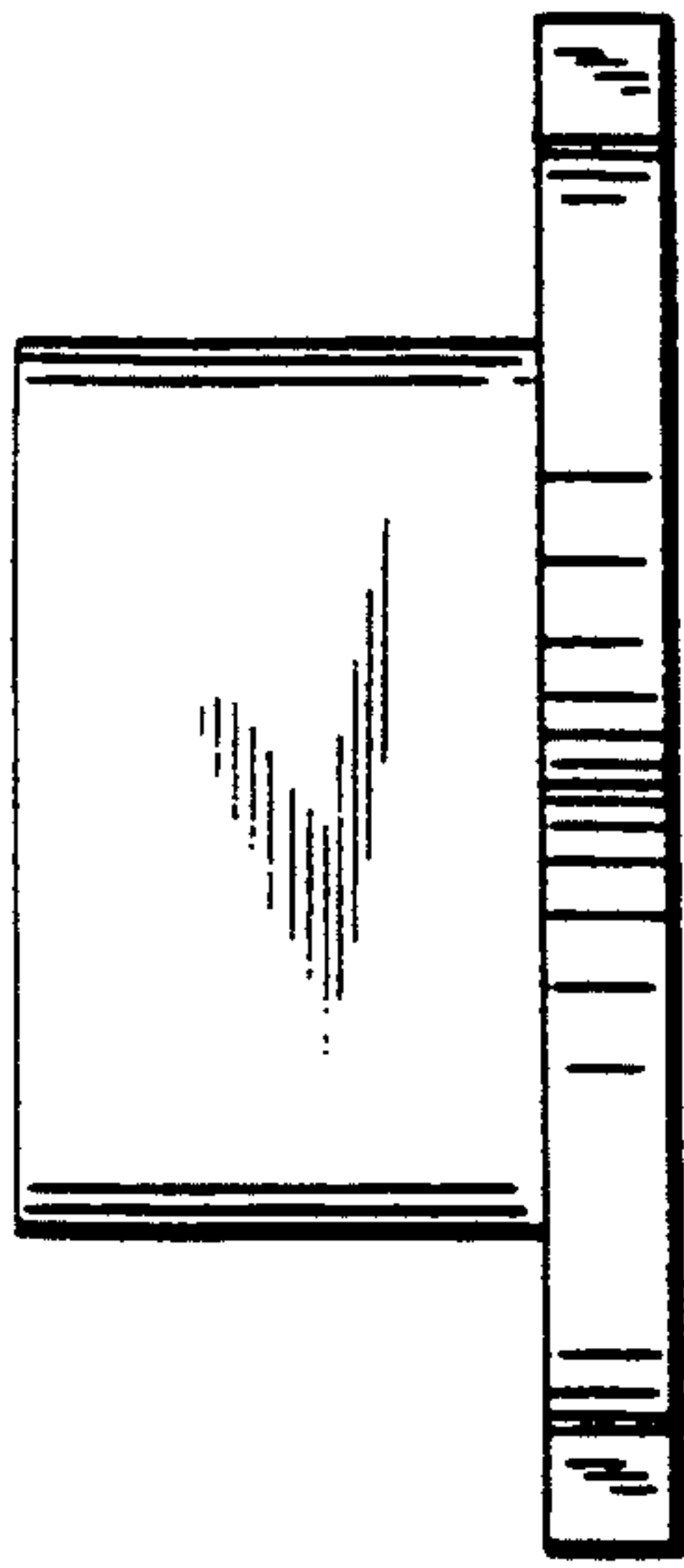


FIG. 11

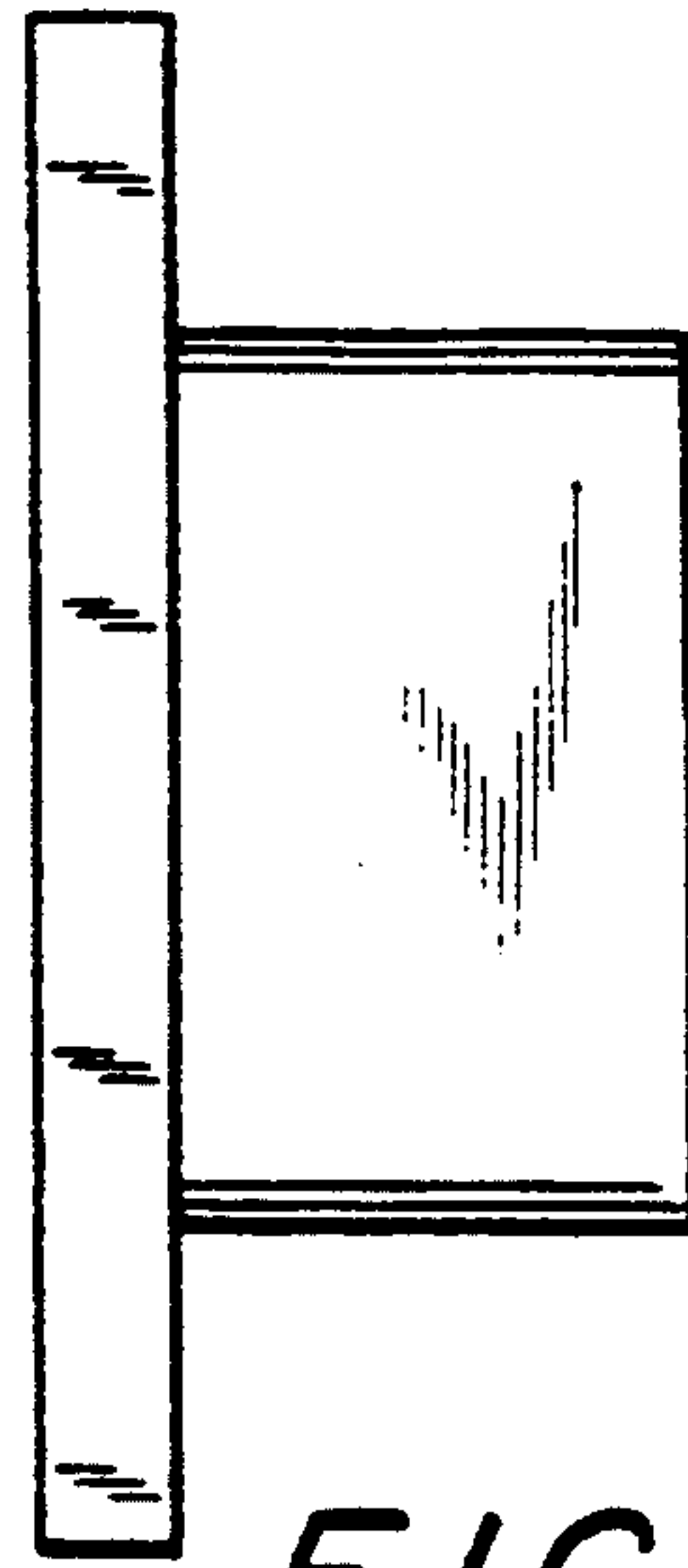


FIG. 12

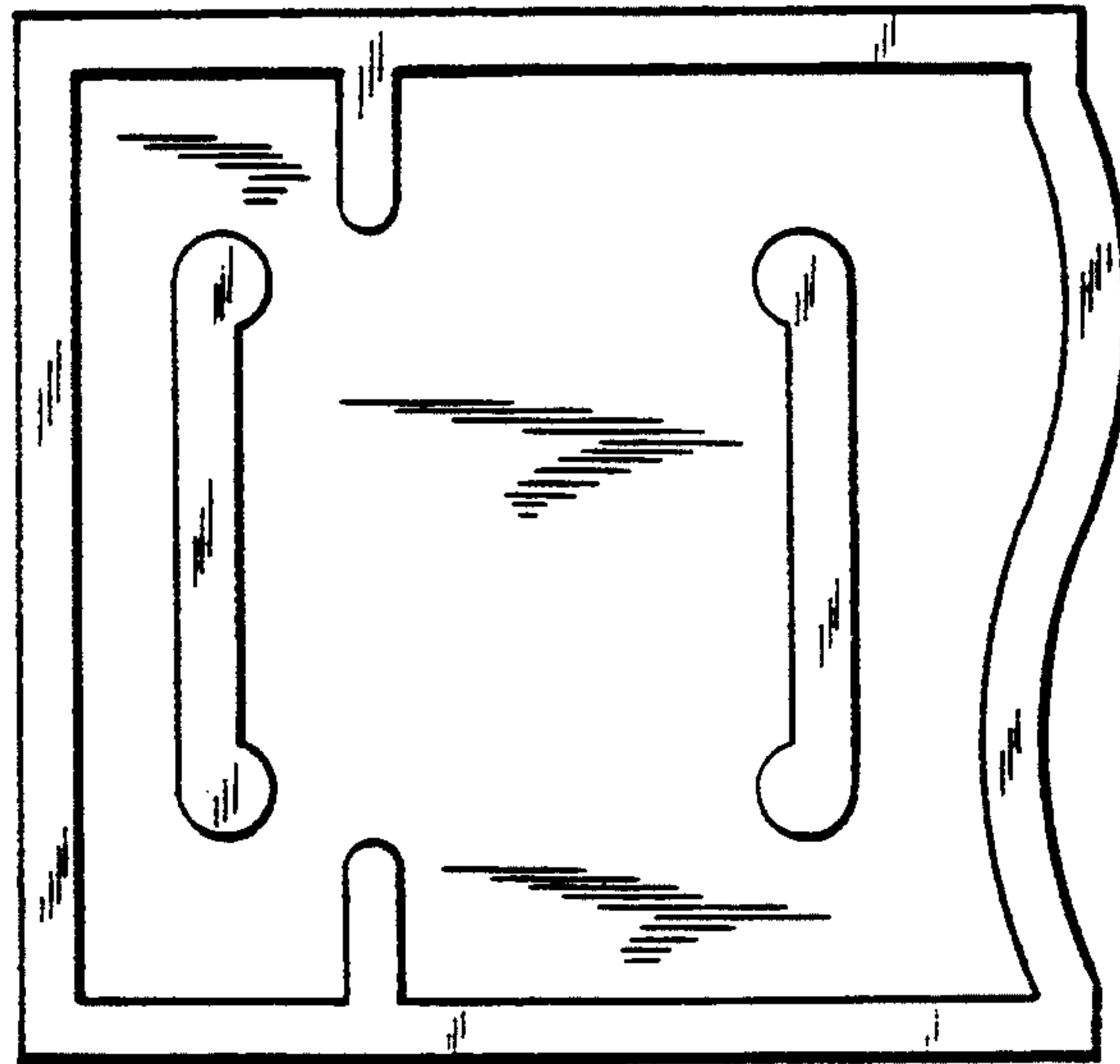


FIG. 13

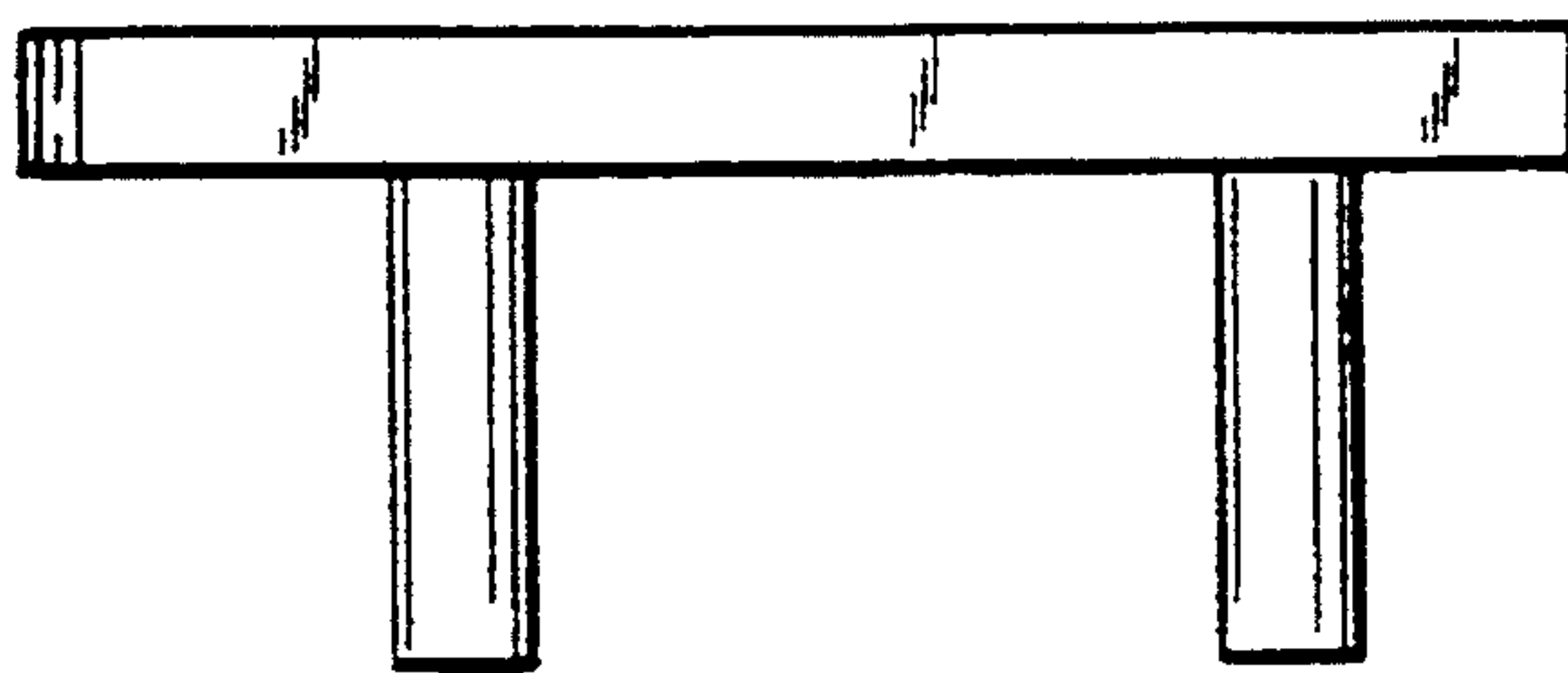


FIG. 14