



US00D349622S

# United States Patent [19]

[11] Patent Number: **Des. 349,622**

Allen et al.

[45] Date of Patent: **\*\* Aug. 16, 1994**

[54] **MOTORIZED SIDE RAIL FOR HOSPITAL BEDS**

4,484,367	11/1984	Jenkins	.....	5/425
4,509,217	4/1985	Therrien	.	
4,612,679	9/1986	Mitchell	.	
4,747,171	5/1988	Einsele et al.	.....	5/499 X

[76] Inventors: **Margaret Allen; Paul Allen**, both of 252 E 3100 S., Bountiful, Utah 84010; **T. Kevin Wilson**, 5570 Morning Breeze Dr., Kearns, Utah 84118

*Primary Examiner*—Nelson C. Holtje  
*Assistant Examiner*—J. E. Seeger  
*Attorney, Agent, or Firm*—Terry M. Gernstein

[\*\*] Term: **14 Years**

[57] **CLAIM**

[21] Appl. No.: **2,384**

The ornamental design for a motorized side rail for hospital beds, as shown and described.

[22] Filed: **Dec. 11, 1992**

[52] U.S. Cl. .... **D6/503; D6/491**

### DESCRIPTION

[58] Field of Search ..... **D6/491, 500-502; 5/425, 428, 429; D24/183, 184**

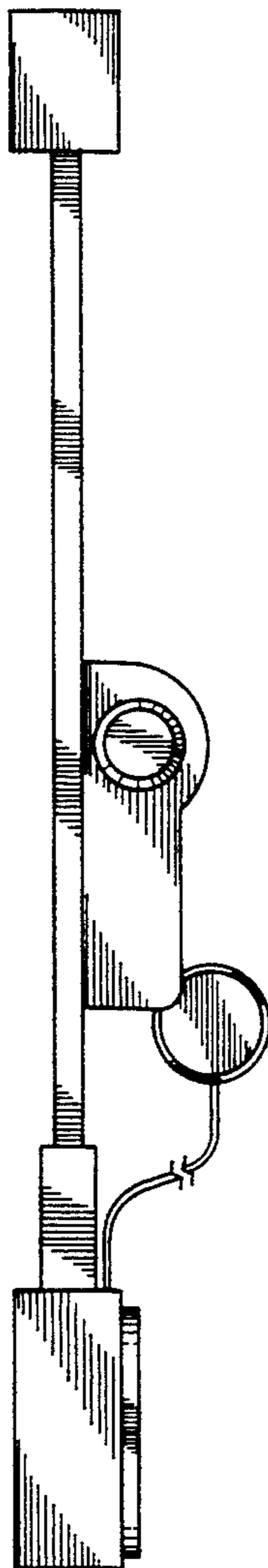
FIG. 1 is a perspective view of the motorized side rail for hospital beds embodying the design of the present invention;

### [56] References Cited

#### U.S. PATENT DOCUMENTS

D. 336,577	6/1993	Celestina et al.	.....	D6/491 X
2,496,068	1/1950	Rutkowski	.....	5/425
3,002,200	10/1961	Murcott	.....	5/428
3,840,917	10/1974	Taylor	.	
3,851,345	12/1974	Benoit et al.	.....	5/429

FIG. 2 is a front elevational view thereof;  
FIG. 3 is a rear elevational view thereof;  
FIG. 4 is a side elevational view thereof;  
FIG. 5 is a side elevational view thereof;  
FIG. 6 is a top plan view thereof; and,  
FIG. 7 is a bottom plan view thereof.



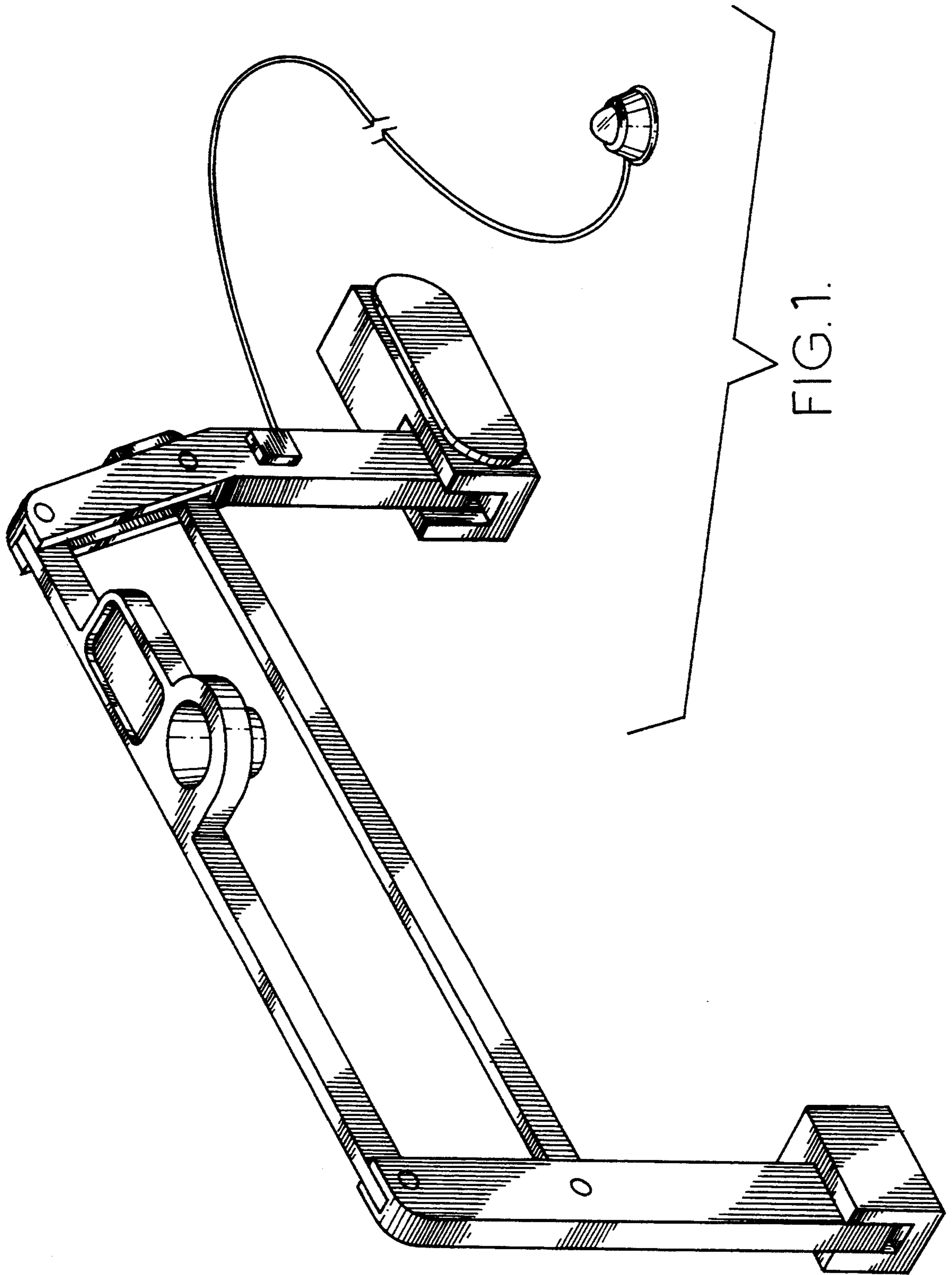


FIG. 1.

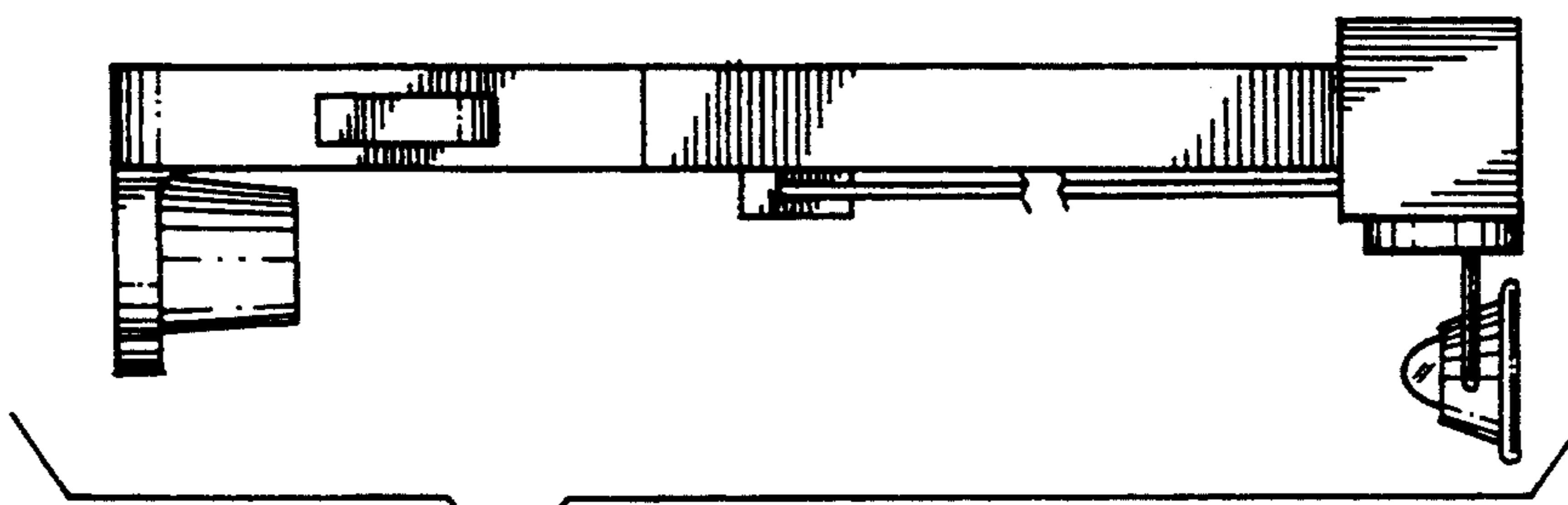


FIG. 4.

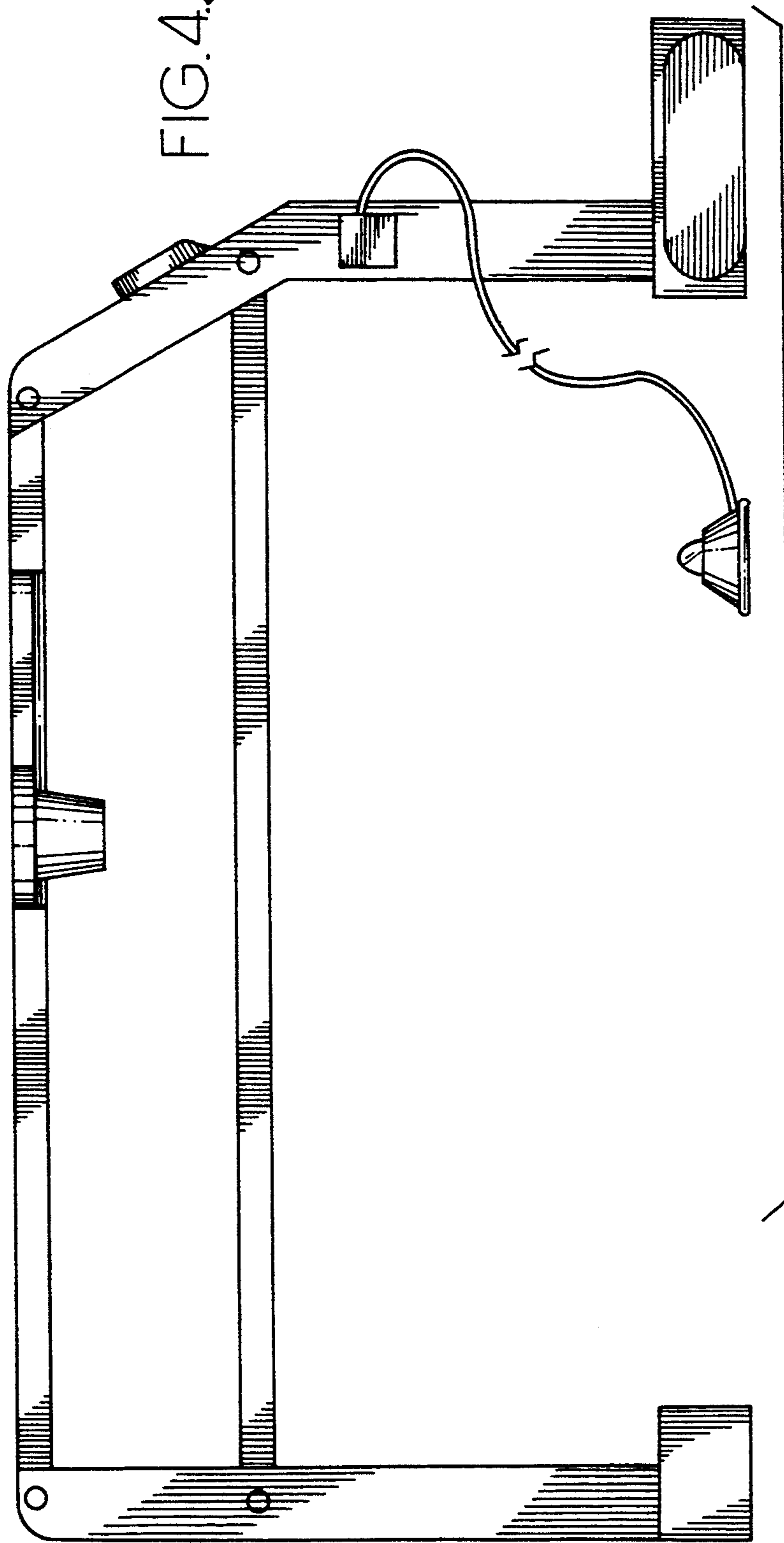


FIG. 2.

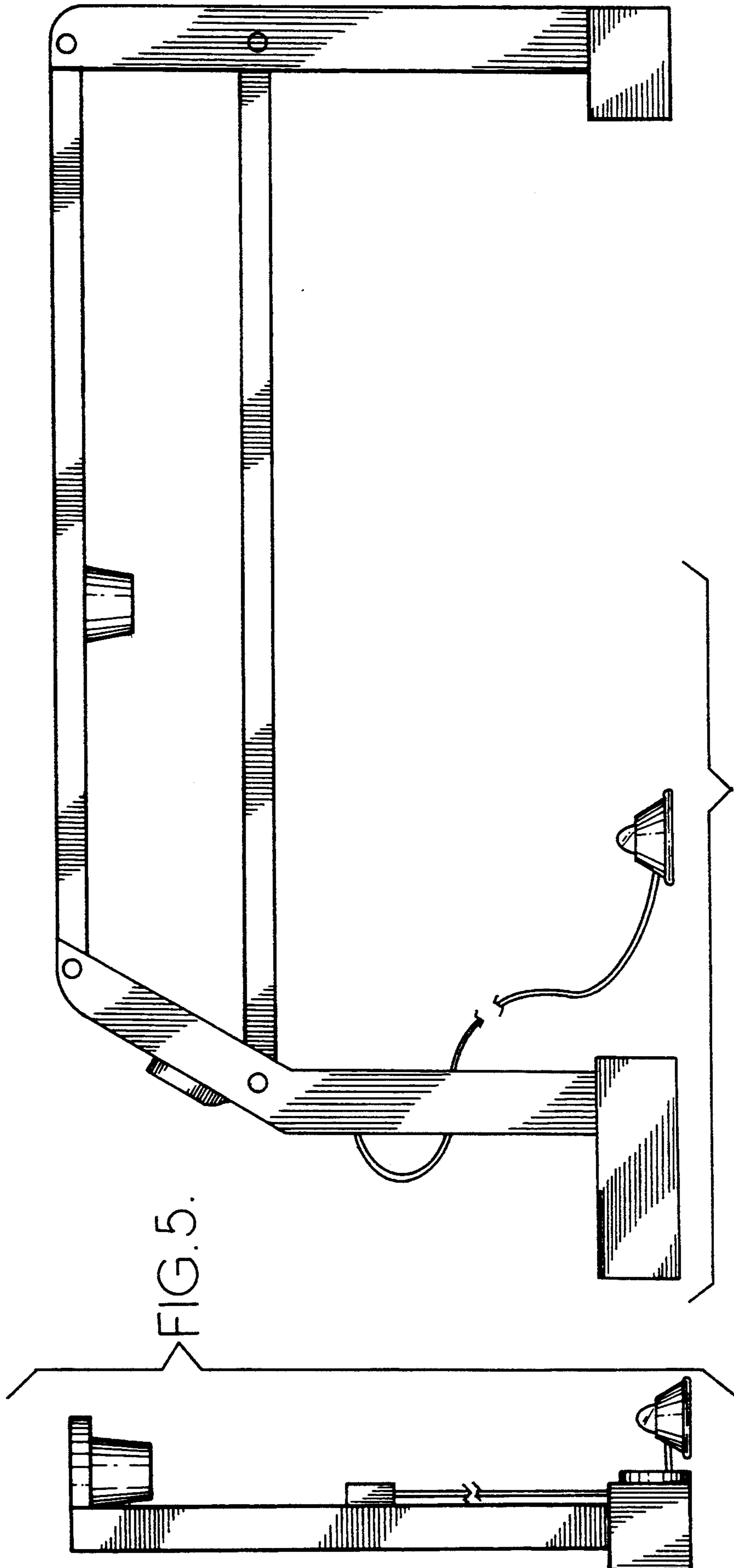


FIG. 5.

FIG. 3.

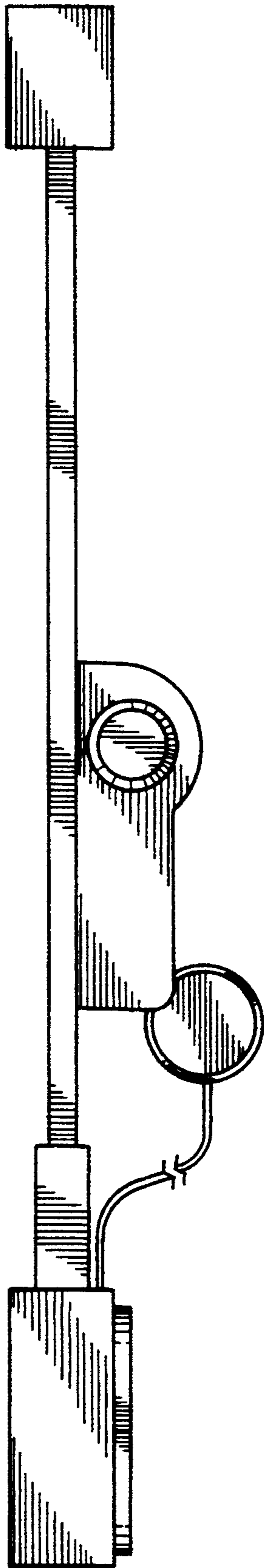


FIG. 7.

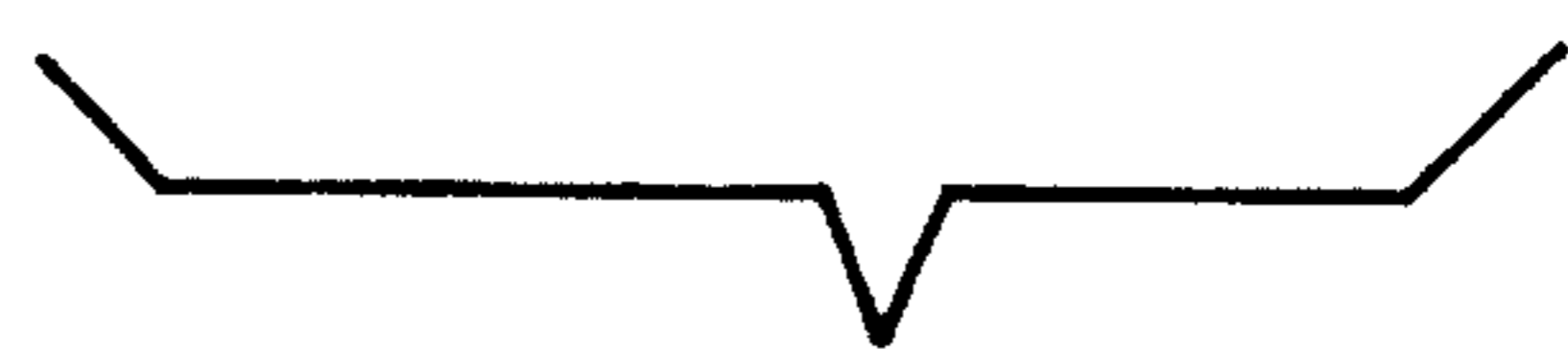
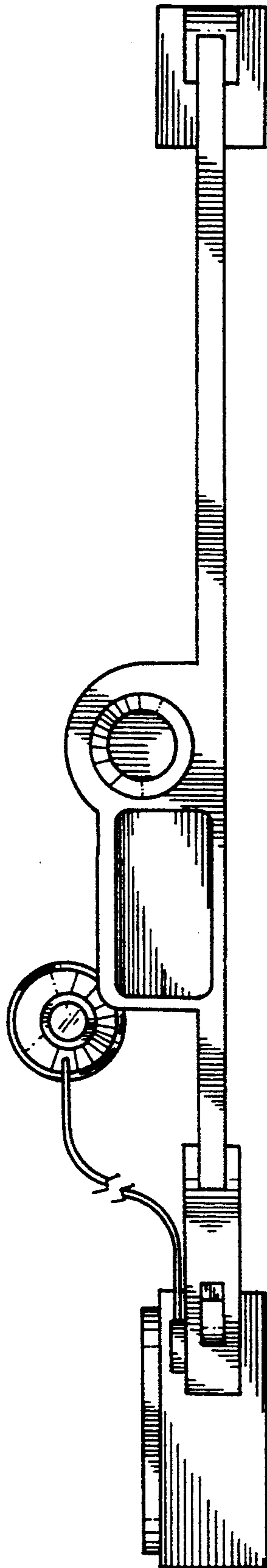


FIG. 6.