



US00D349621S

# United States Patent [19]

Wilson

[11] Patent Number: **Des. 349,621**

[45] Date of Patent: **\*\* Aug. 16, 1994**

- [54] CHAIR ARM
- [75] Inventor: **Robert L. Wilson**, Memphis, Tenn.
- [73] Assignee: **Chromcraft Revington, Inc.**, Senatobia, Miss.
- [\*\*] Term: **14 Years**
- [21] Appl. No.: **13,216**
- [22] Filed: **Sep. 21, 1993**
- [52] U.S. Cl. .... **D6/501**
- [58] Field of Search ..... D6/334, 363, 366-369, D6/375, 500-502; 297/411.2, 411.26, 411.27, 411.45, 411.46, DIG. 1

4,529,247 7/1985 Stumpf et al. .

### OTHER PUBLICATIONS

- Interiors, p. 89 (May, 1982).
- IKEA, p. 98 (Aug., 1986).
- Industrial Design, p. 61 (Oct. 1969).
- Interiors, p. 7 (Apr., 1976).
- Domus, p. 27 (Dec., 1979 supplement).

*Primary Examiner*—Janice E. Seeger  
*Attorney, Agent, or Firm*—Wolf, Greenfield & Sacks

### [57] CLAIM

The ornamental design for a chair arm, as shown and described.

### [56] References Cited

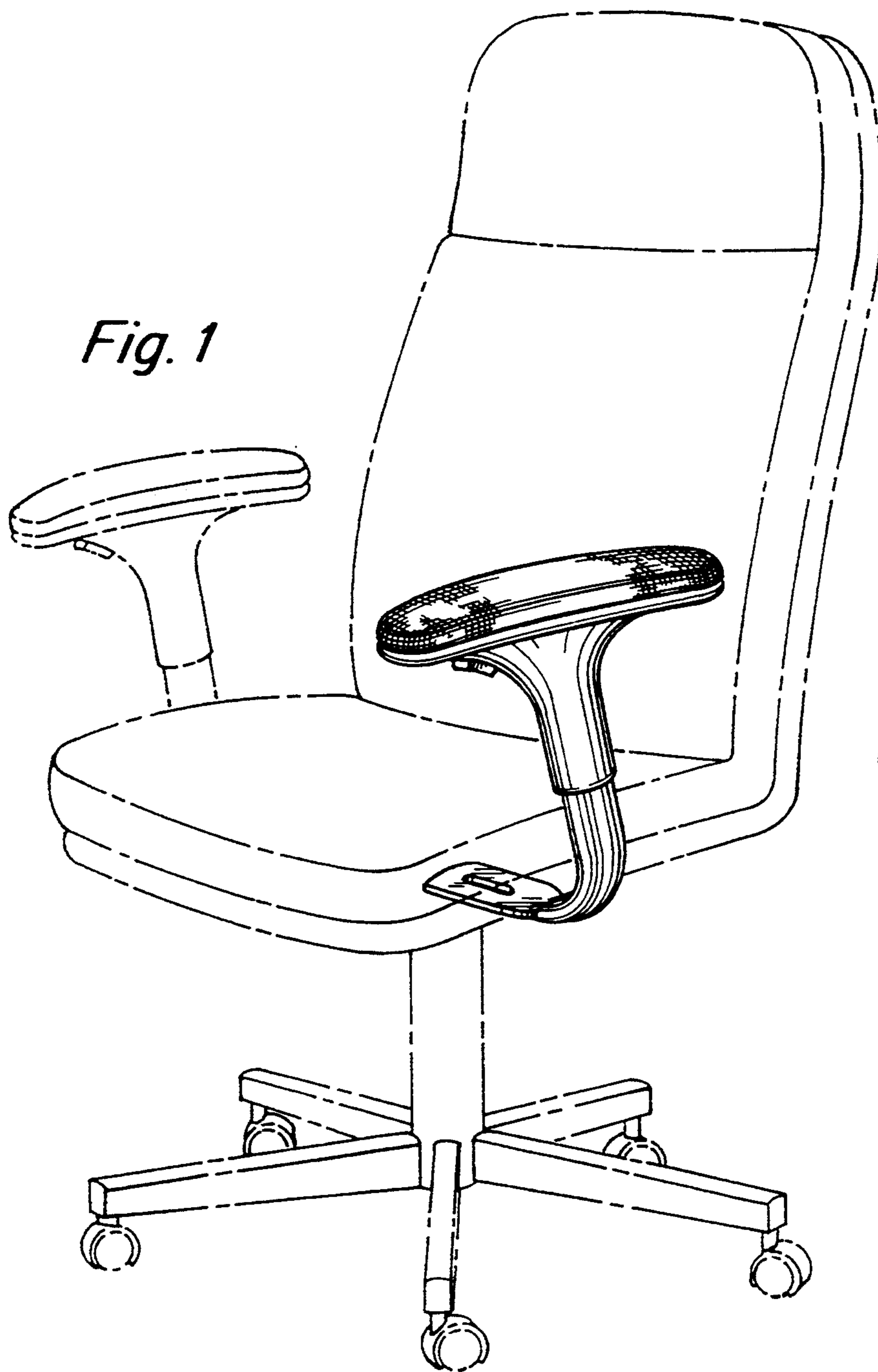
#### U.S. PATENT DOCUMENTS

D. 196,720	10/1963	Johnson	.....	D15/1
D. 211,461	6/1968	Walkinshaw	.....	D15/1
D. 264,643	6/1982	Pelly	.....	D6/31
D. 275,053	8/1984	Stephens	.....	D6/20.26
D. 277,916	3/1985	Aronowitz et al.	.....	D6/501
D. 306,531	3/1990	Snodgrass	.....	D6/366
D. 311,287	10/1990	Behringer	.....	D6/366
D. 327,782	7/1992	Citterio	.....	D6/366
D. 329,770	9/1992	Grahl et al.	.....	D6/500
D. 330,808	11/1992	Citterio	.....	D6/366
D. 340,589	10/1993	Chu	.....	D6/366

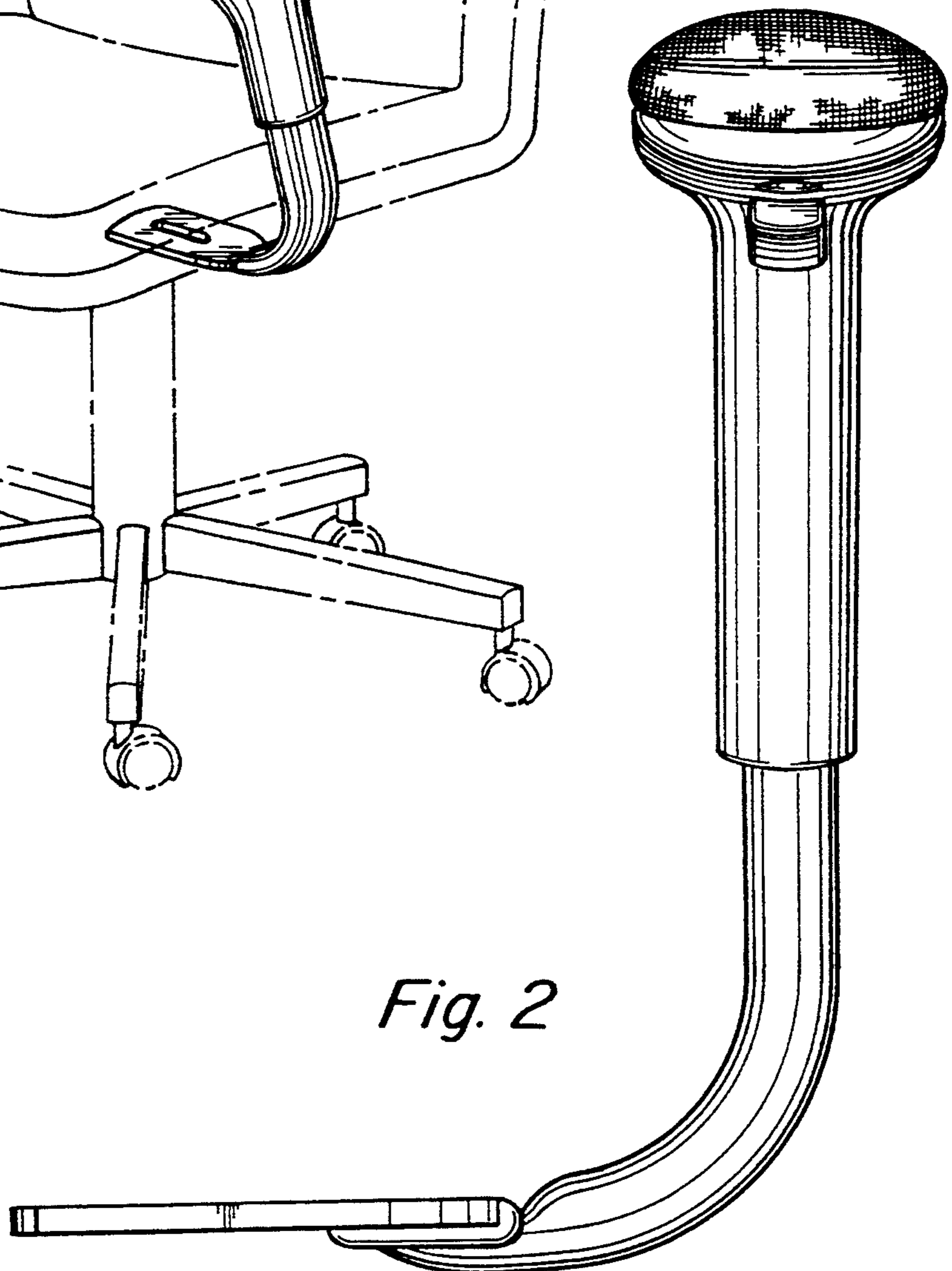
### DESCRIPTION

FIG. 1 is a perspective view of a chair arm, showing my new design, the broken lines are for environmental purposes only and forms no part of the claimed design; FIG. 2 is a front elevation view of the left arm thereof; FIG. 3 is an outside elevation view thereof; FIG. 4 is a rear elevation view thereof; FIG. 5 is an inside elevation view thereof; FIG. 6 is a top plan view thereof; and, FIG. 7 is a bottom plan view thereof. The corresponding views of the right arm are the mirror images of the left arm as shown.



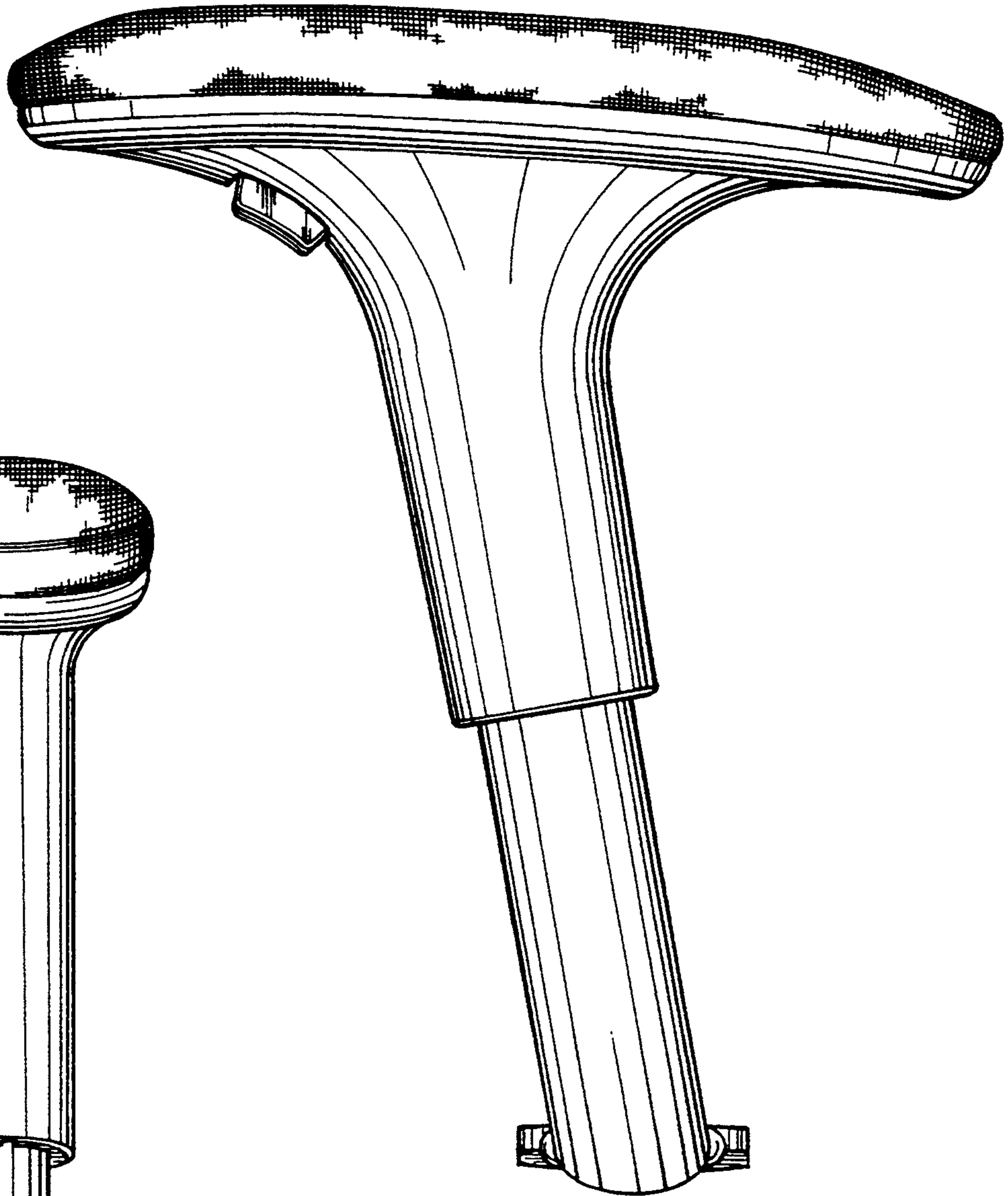


*Fig. 1*

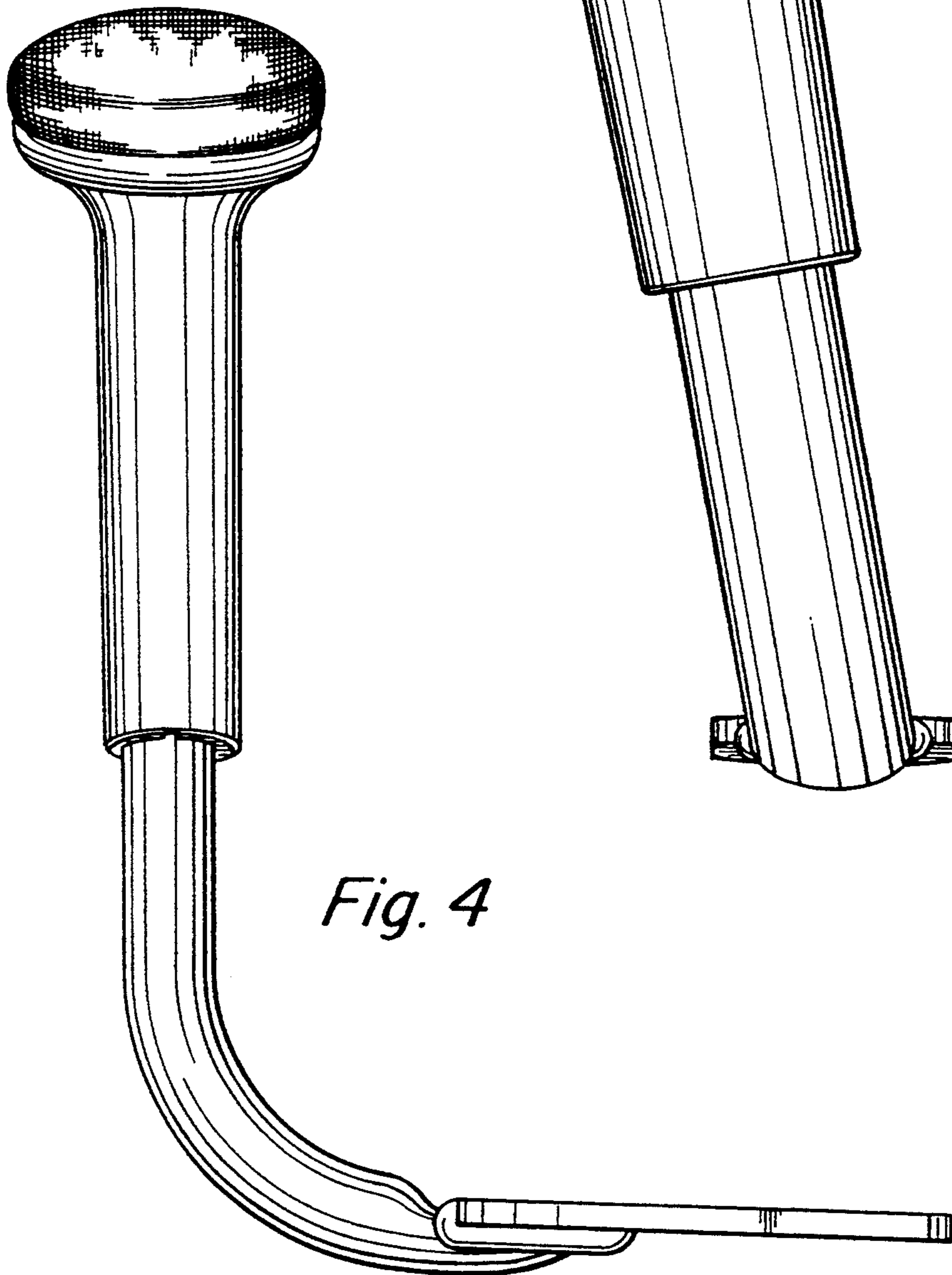


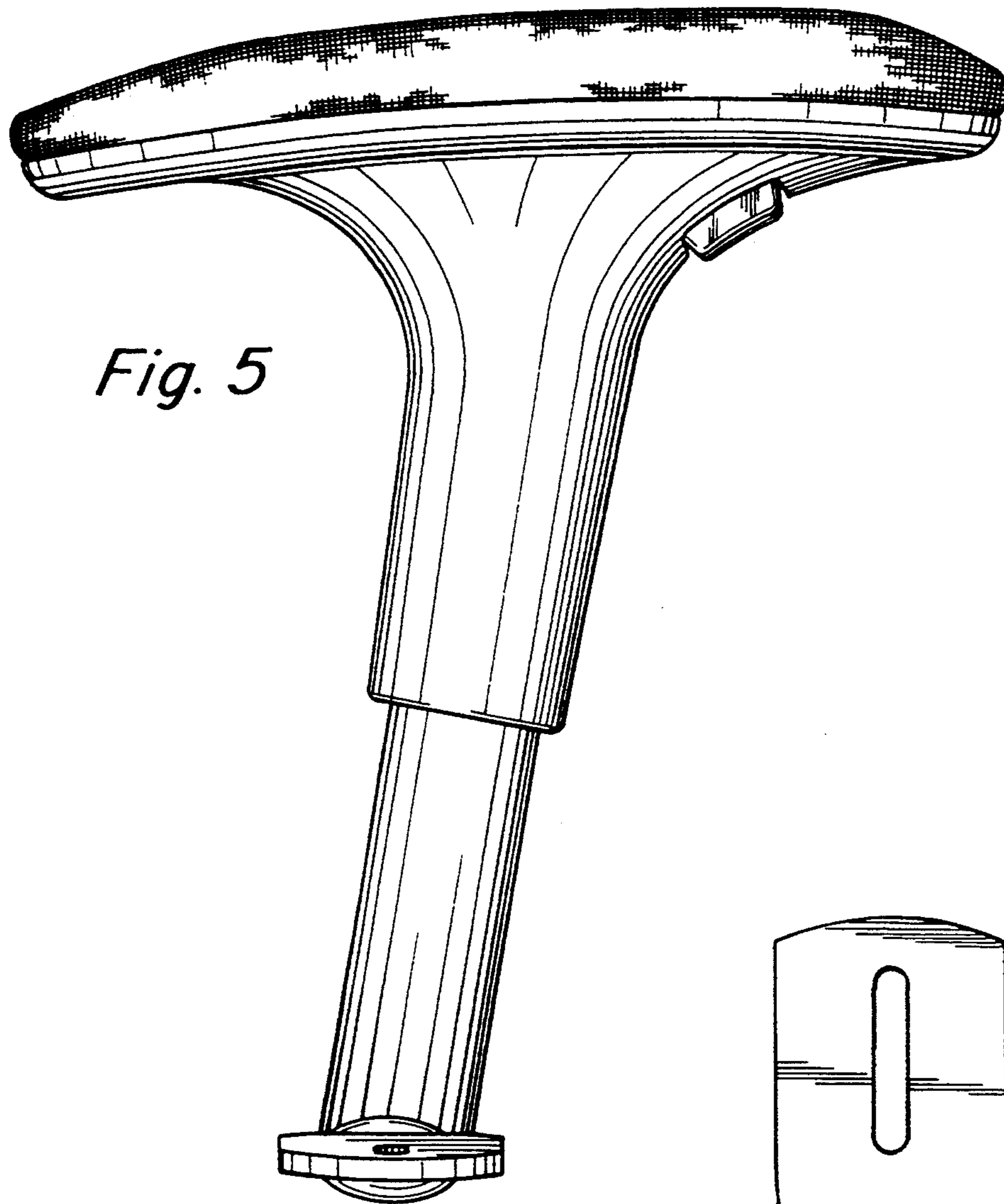
*Fig. 2*

*Fig. 3*

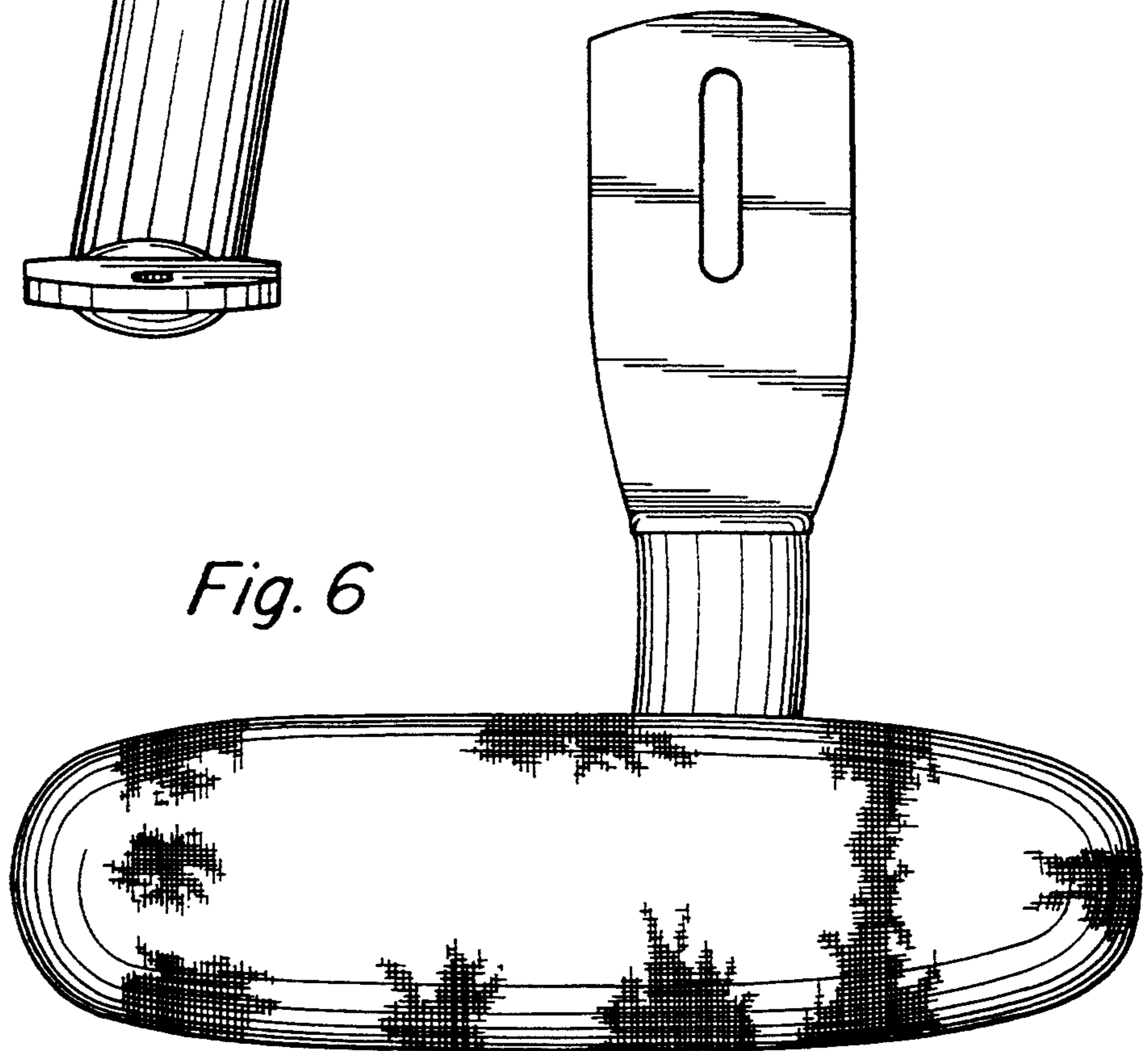


*Fig. 4*





*Fig. 5*



*Fig. 6*

*Fig. 7*

