



US00D349620S

# United States Patent [19]

Matteson

[11] Patent Number: **Des. 349,620**

[45] Date of Patent: **\*\* Aug. 16, 1994**

[54] **PORTABLE FOOTREST FOR CHAIRLIFTS**

4,221,314 9/1980 Baker, Jr. .... 24/302 X

[76] Inventor: **William A. Matteson**, 78 Hyde St., Burlington, Vt. 05401

### FOREIGN PATENT DOCUMENTS

0030256 of 1909 United Kingdom ..... 24/302

[\*\*] Term: **14 Years**

*Primary Examiner*—Nelson C. Holtje  
*Assistant Examiner*—J. E. Seeger  
*Attorney, Agent, or Firm*—Thomas N. Neiman

[21] Appl. No.: **623**

### [57] CLAIM

[22] Filed: **Oct. 21, 1992**

[52] U.S. Cl. .... **D6/501**

[58] **Field of Search** ..... **D6/349-353,**  
D6/355, 500-502; 297/175, 181, 188, 192,  
423.1, 423.4, 423.39, 461, 462; 24/298, 301, 302

The ornamental design for a portable footrest for chairlifts, as shown and described.

### DESCRIPTION

### [56] References Cited

#### U.S. PATENT DOCUMENTS

3,672,004 6/1972 Smith ..... 24/302  
4,155,636 5/1979 Reeberg ..... 24/302 X  
4,170,299 10/1979 Clements ..... 24/298 X

FIG. 1 is a top (or bottom) plan view of the novel portable footrest for chairlifts;

FIG. 2 is a frontal (or rear) elevational view thereof;

FIG. 3 is a left side elevational view thereof;

FIG. 4 is a right side elevational view thereof; and,

FIG. 5 is a perspective view of the novel device.

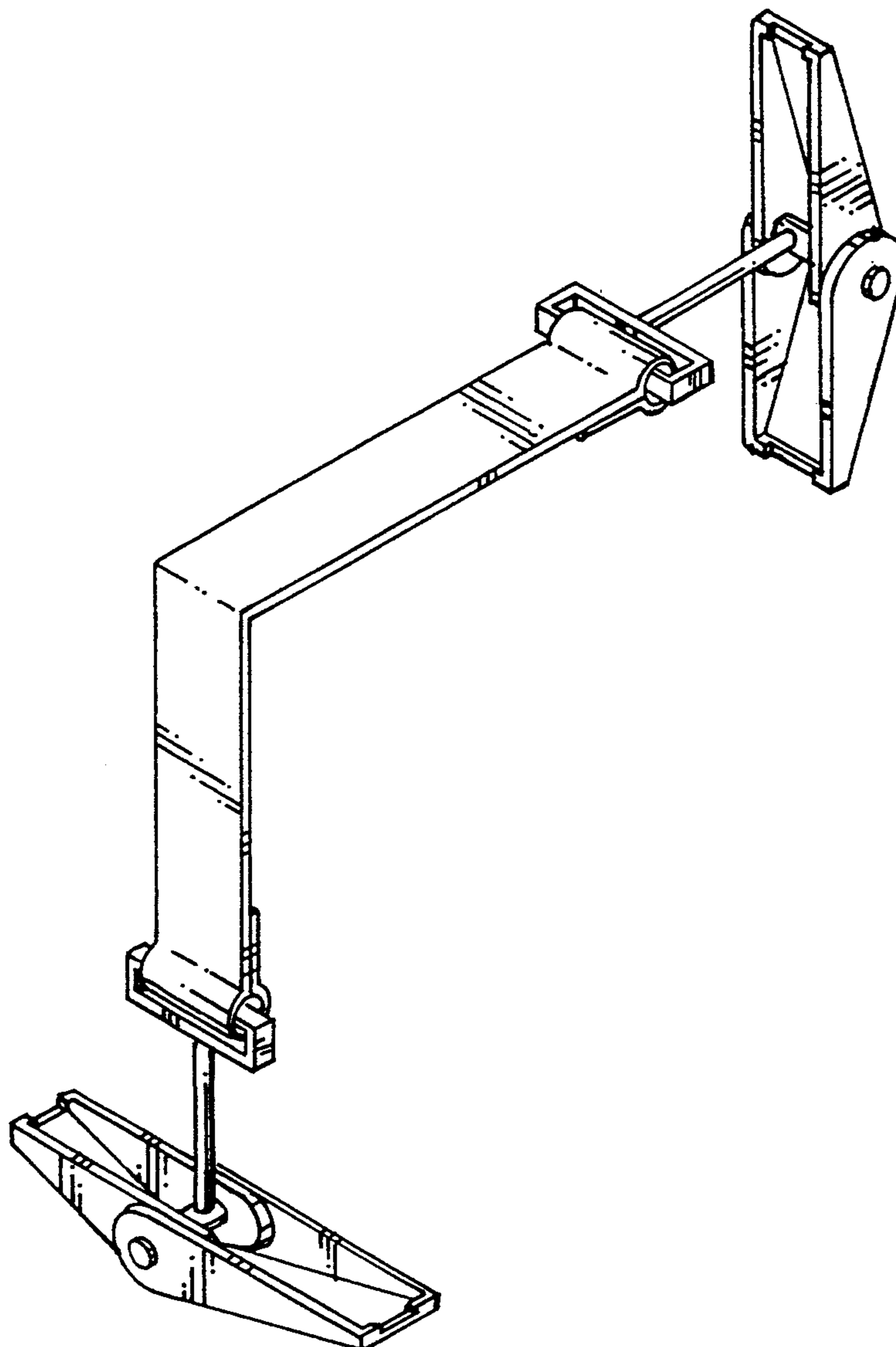


FIG. 2

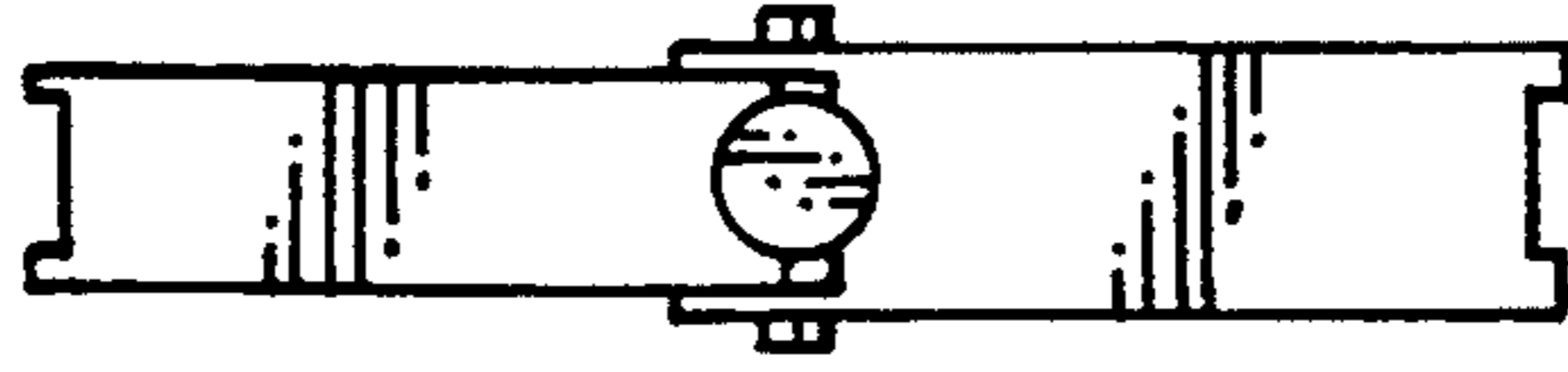


FIG. 3

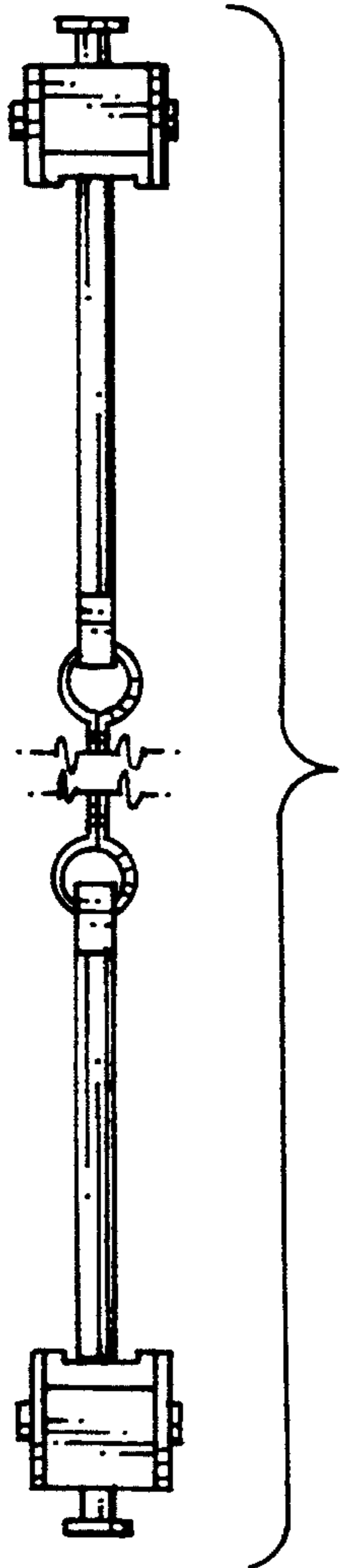


FIG. 1

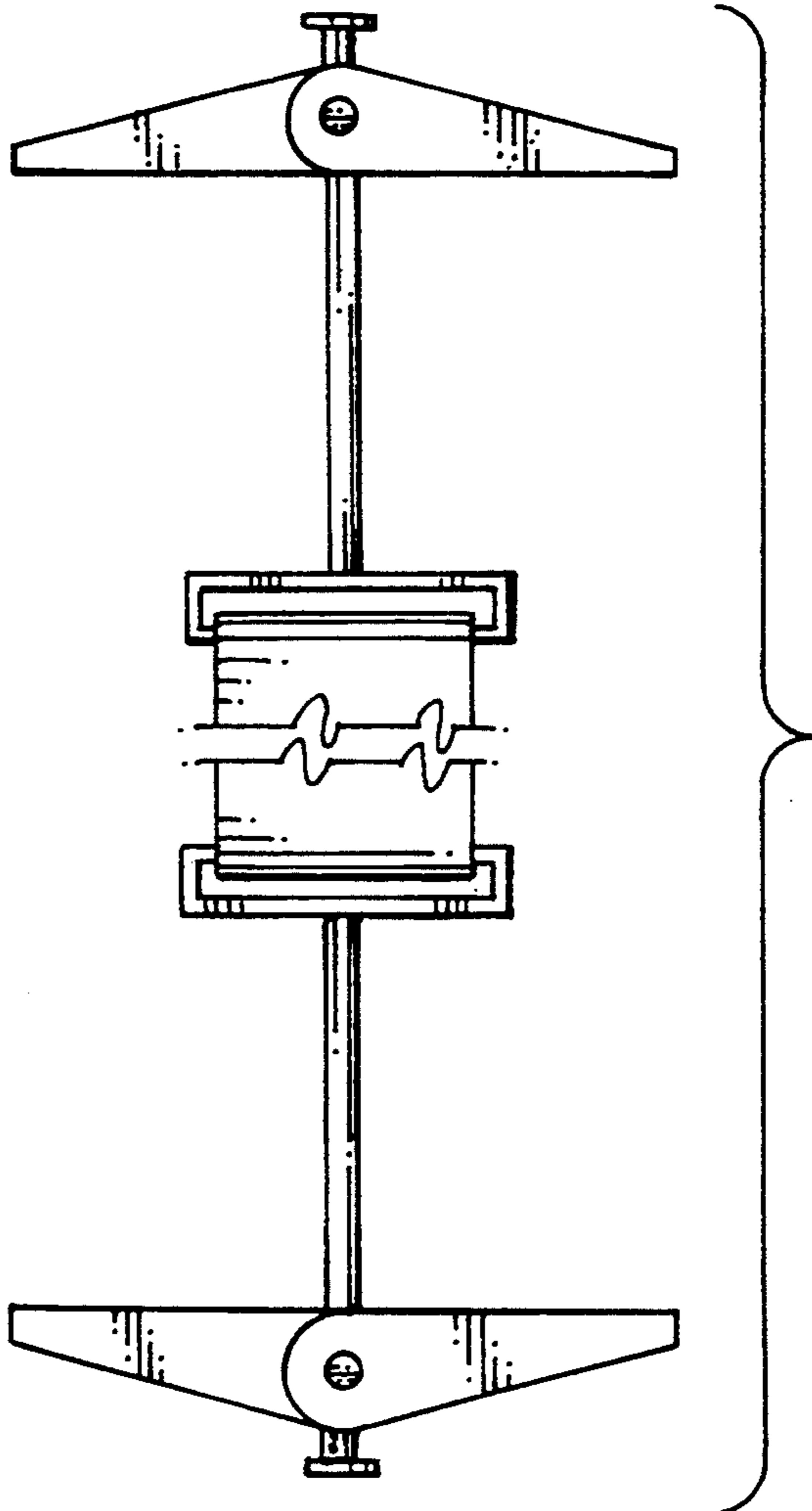


FIG. 4

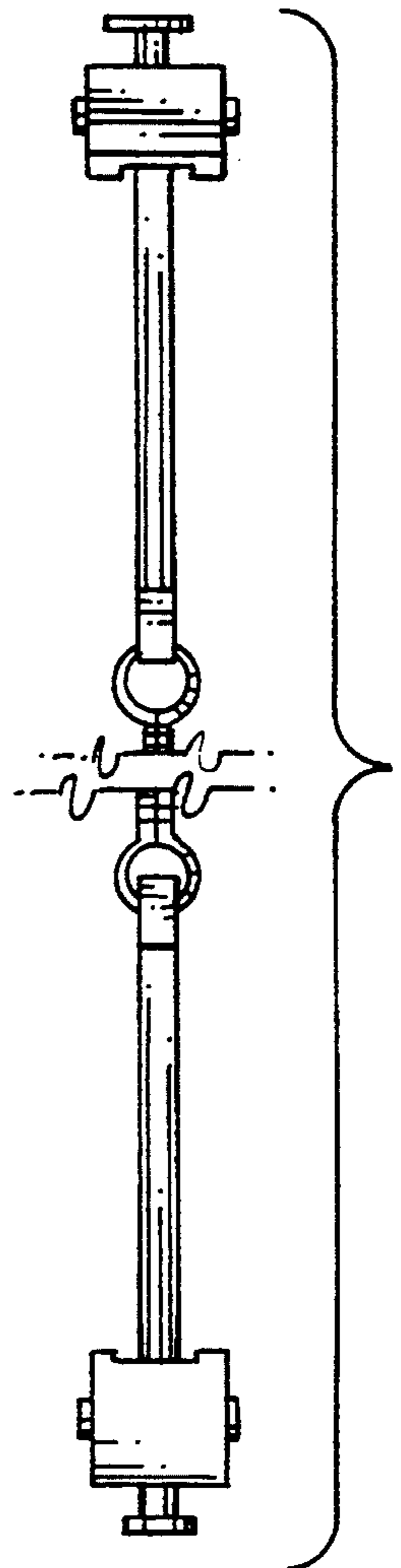


FIG. 5

