



US00D349618S

# United States Patent [19] Barfield

[11] Patent Number: **Des. 349,618**  
[45] Date of Patent: **\*\* Aug. 16, 1994**

## [54] COFFEE TABLE

- [75] Inventor: **Jesse Barfield**, Houston, Tex.
- [73] Assignee: **Sports Designs By Jesse Barfield, Inc.**, Houston, Tex.
- [\*\*] Term: **14 Years**
- [21] Appl. No.: **15,245**
- [22] Filed: **Nov. 10, 1993**

### Related U.S. Application Data

- [63] Continuation of Ser. No. 934,967, Aug. 25, 1992, abandoned.
- [52] U.S. Cl. .... **D6/482; D6/470; D6/488**
- [58] Field of Search ..... **D6/480, 482-489, D6/495, 496, 450, 451; 108/150, 153, 161**

### [56] References Cited

#### U.S. PATENT DOCUMENTS

D. 171,934	4/1954	Dobbins	.....	D6/482	X
D. 231,786	6/1974	Burnley	.....	D6/484	X
D. 255,192	6/1980	Segal	.....	D6/484	X
D. 255,518	6/1980	Logsdon	.....	D6/158	
D. 264,657	6/1982	Pettiner	.....	D6/480	
D. 267,691	1/1983	White	.....	D6/484	X
D. 281,208	11/1985	Raftery	.....	D6/470	X
D. 328,675	8/1992	Barfield	.....	D6/470	X

## OTHER PUBLICATIONS

Drawing of a Coffee Table of Jesse Barfield, undated but at least as early as 1989.  
 Drawing of a Coffee Table of Jesse Barfield, undated but at least as early as 1989.  
 Sports Designs By Jesse Barfield, Inc. advertisement of a Coffee Table, undated.  
 Sports Designs By Jesse Barfield, Inc. photograph of a Coffee Table, undated.

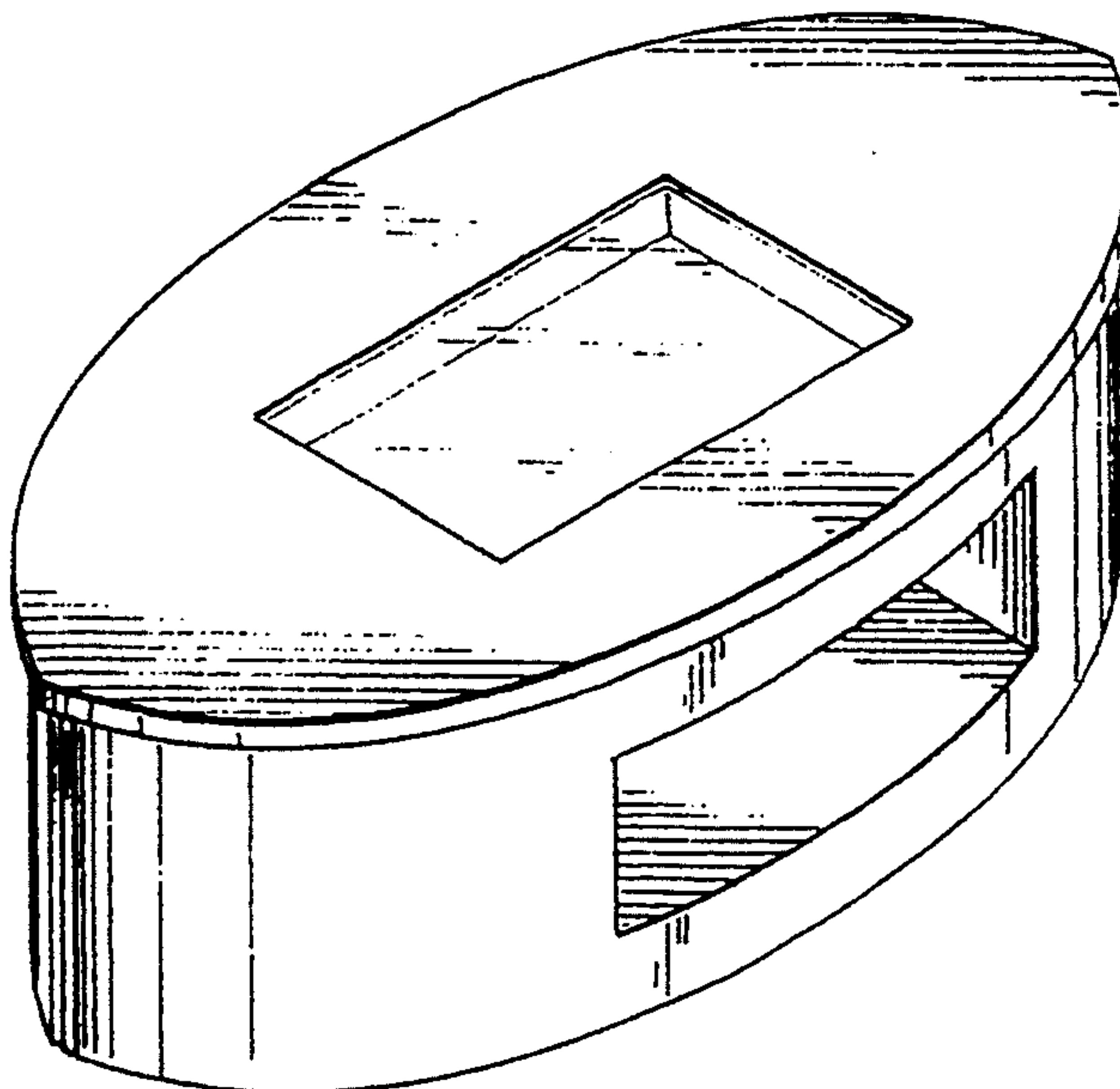
*Primary Examiner*—Nelson C. Holtje  
*Assistant Examiner*—J. E. Seeger  
*Attorney, Agent, or Firm*—Pravel, Hewitt, Kimball & Krieger

## [57] CLAIM

The ornamental design for coffee table, as shown and described.

## DESCRIPTION

FIG. 1 is a perspective view of a first embodiment of my coffee table;  
 FIG. 2 is a top plan view thereof;  
 FIG. 3 is a front elevational view thereof, the opposite elevational view being a mirror image thereof;  
 FIG. 4 is an end elevational view thereof; the opposite end elevational view being a mirror image thereof;  
 FIG. 5 is a front elevational view of a second embodiment of the coffee table of FIG. 1, the opposite elevational view being a mirror image thereof; and,  
 FIG. 6 is an end elevational view of the second embodiment of the coffee table of FIG. 5, the opposite end elevational view being a mirror image thereof.



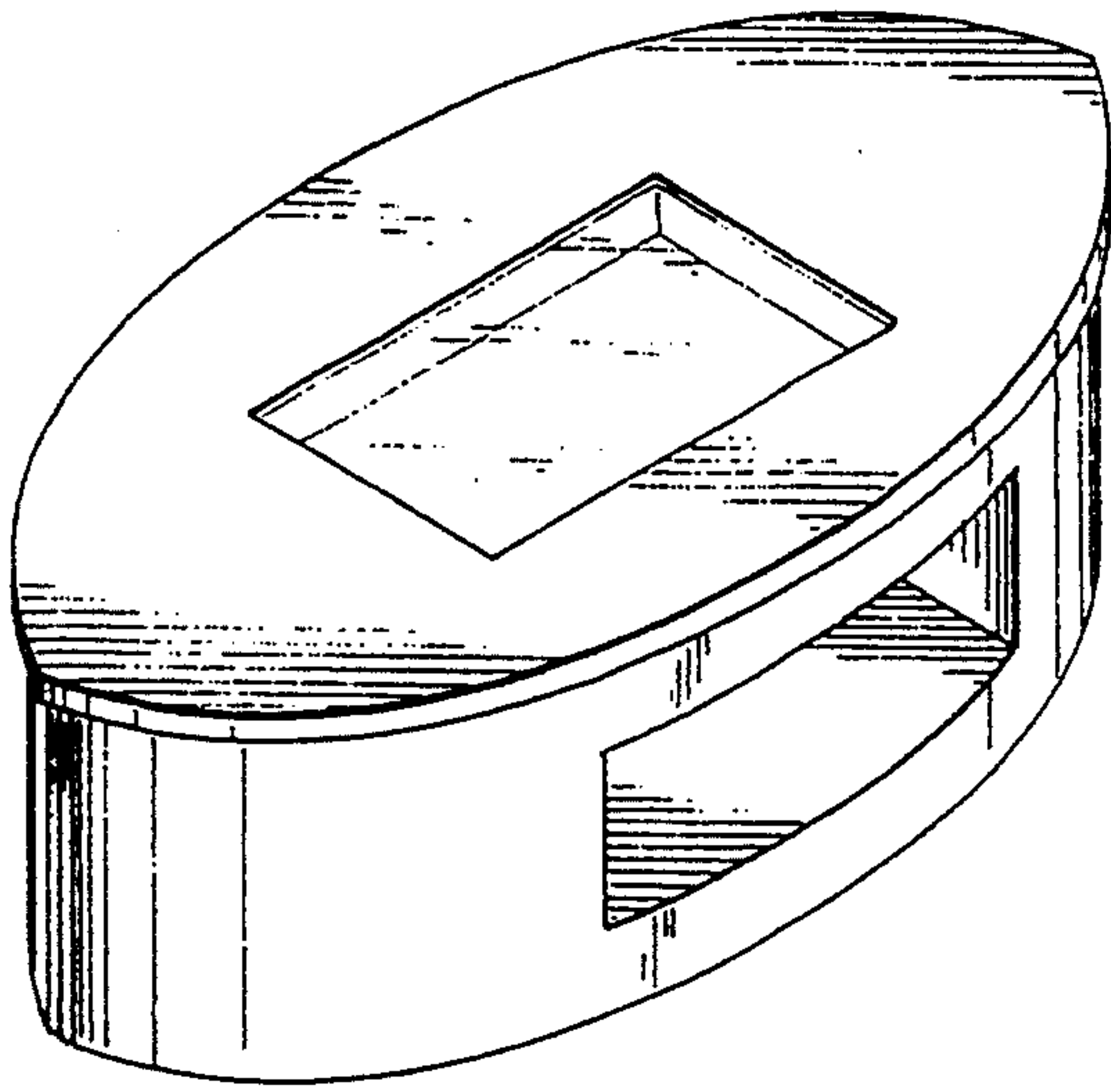


FIG. 1

FIG. 2

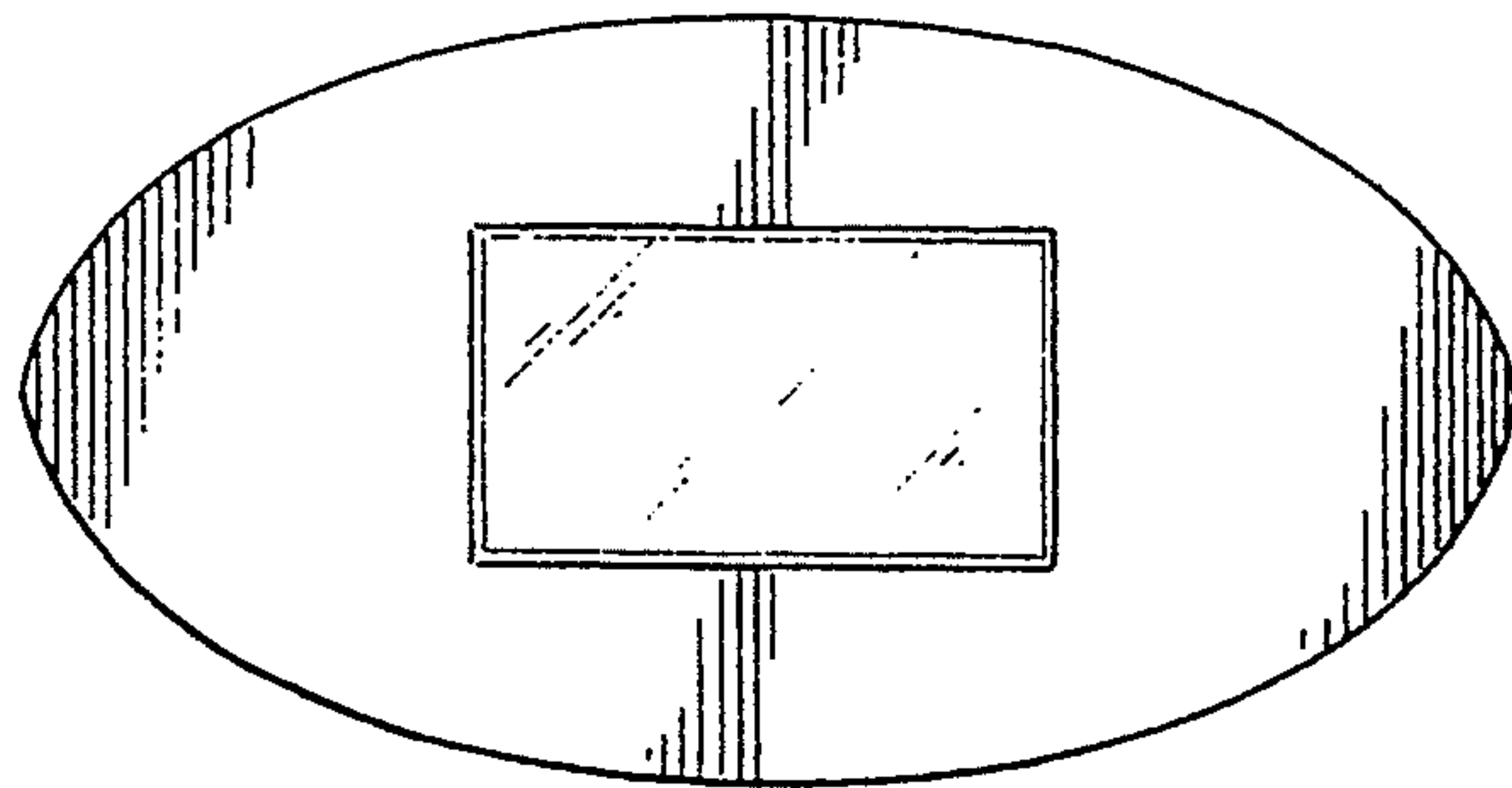


FIG. 3

FIG. 4

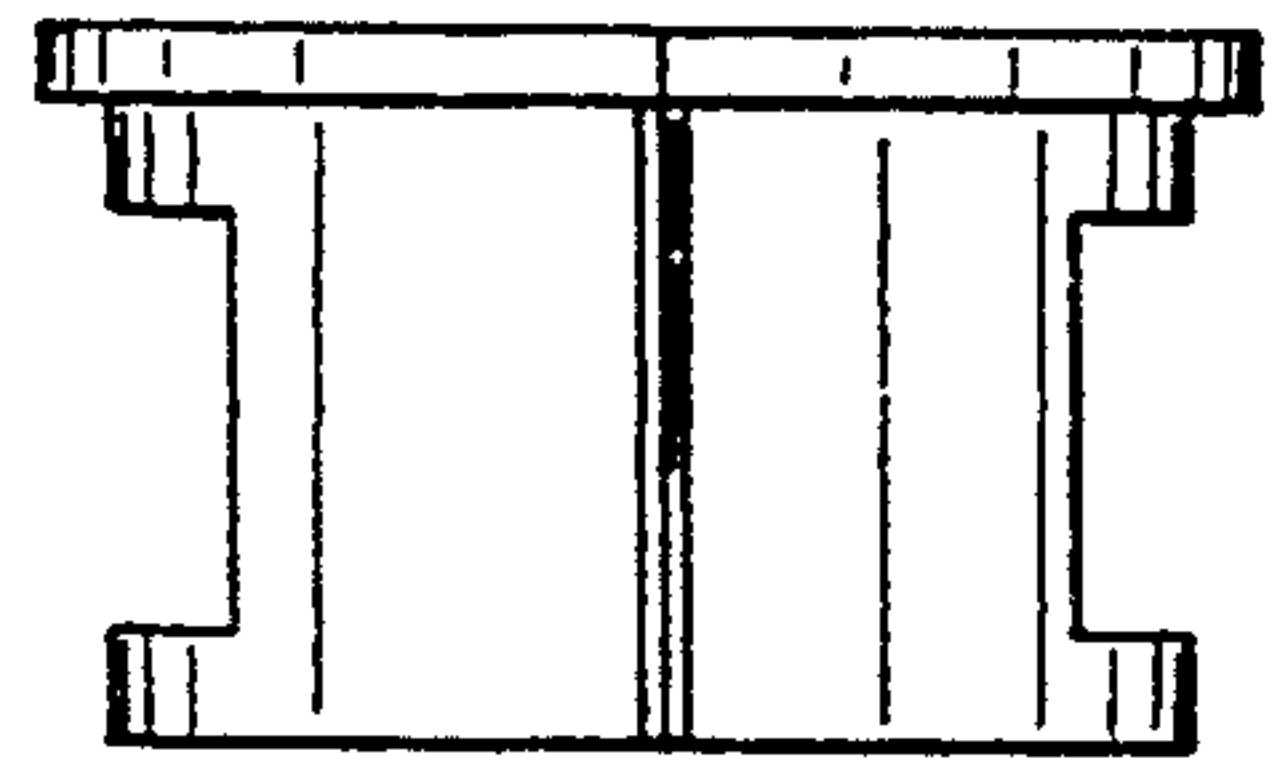
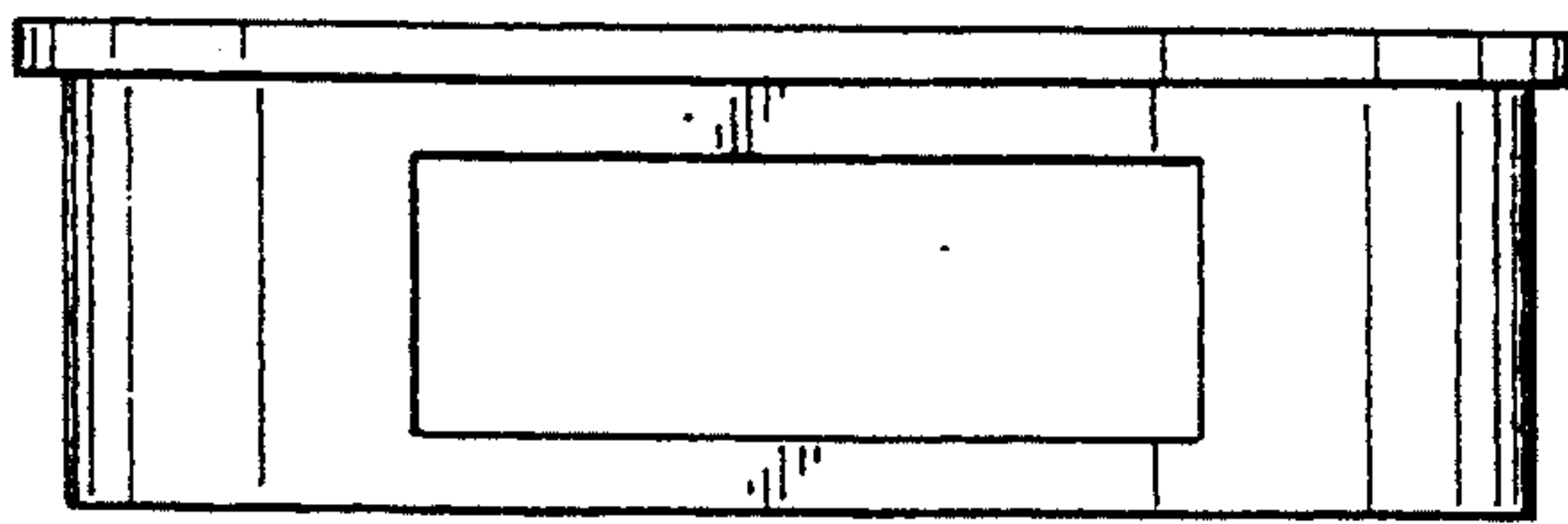


FIG. 5

FIG. 6

