



US00D349617S

# United States Patent [19]

[11] Patent Number: **Des. 349,617**

**Herman**

[45] Date of Patent: **\*\* Aug. 16, 1994**

[54] **SALAD BAR WITH FAN**

[75] Inventor: **Kenneth M. Herman, Lanham, Md.**

[73] Assignee: **Shoppers Food Warehouse Corporation, Lanham, Md.**

[\*\*] Term: **14 Years**

[21] Appl. No.: **765,713**

[22] Filed: **Sep. 26, 1991**

[52] U.S. Cl. .... **D6/481**

[58] Field of Search ..... **D6/432-448, D6/481; 312/236; 108/20, 25, 50**

D. 302,221 7/1989 Suttles .  
 1,772,296 8/1930 Strobell .  
 2,734,990 2/1956 Leuscher .  
 2,929,227 3/1960 Rainwater .  
 3,162,495 12/1964 Swift .  
 4,458,501 7/1984 Kooy .  
 4,572,598 2/1986 Moore .  
 4,623,367 11/1986 Paulson .  
 4,753,496 6/1988 Bussard .  
 4,850,804 7/1989 Huang .  
 5,114,016 5/1992 Todd .

*Primary Examiner*—Carmen H. Vales-Lado  
*Attorney, Agent, or Firm*—Cushman, Darby & Cushman

[56] **References Cited**  
**U.S. PATENT DOCUMENTS**

D. 202,595 10/1965 Carvel ..... D6/438  
 D. 231,814 6/1974 Weaver ..... D6/442  
 D. 241,897 10/1976 Weaver ..... D6/481  
 D. 244,570 6/1977 Taylor .  
 D. 262,505 1/1982 Buchanan et al. .... D6/434  
 D. 282,612 2/1986 Moore, Jr. .  
 D. 288,040 2/1987 LeBlanc ..... D6/481 X  
 D. 300,591 4/1989 Marchais .

[57] **CLAIM**  
 The ornamental design for a salad bar with fan, as shown and described.

**DESCRIPTION**  
 FIG. 1 is a perspective view from above of a salad bar with fan showing my new design;  
 FIG. 2 is a side elevational view thereof;  
 FIG. 3 is an end elevational view thereof; and,  
 FIG. 4 is a top plan view thereof.

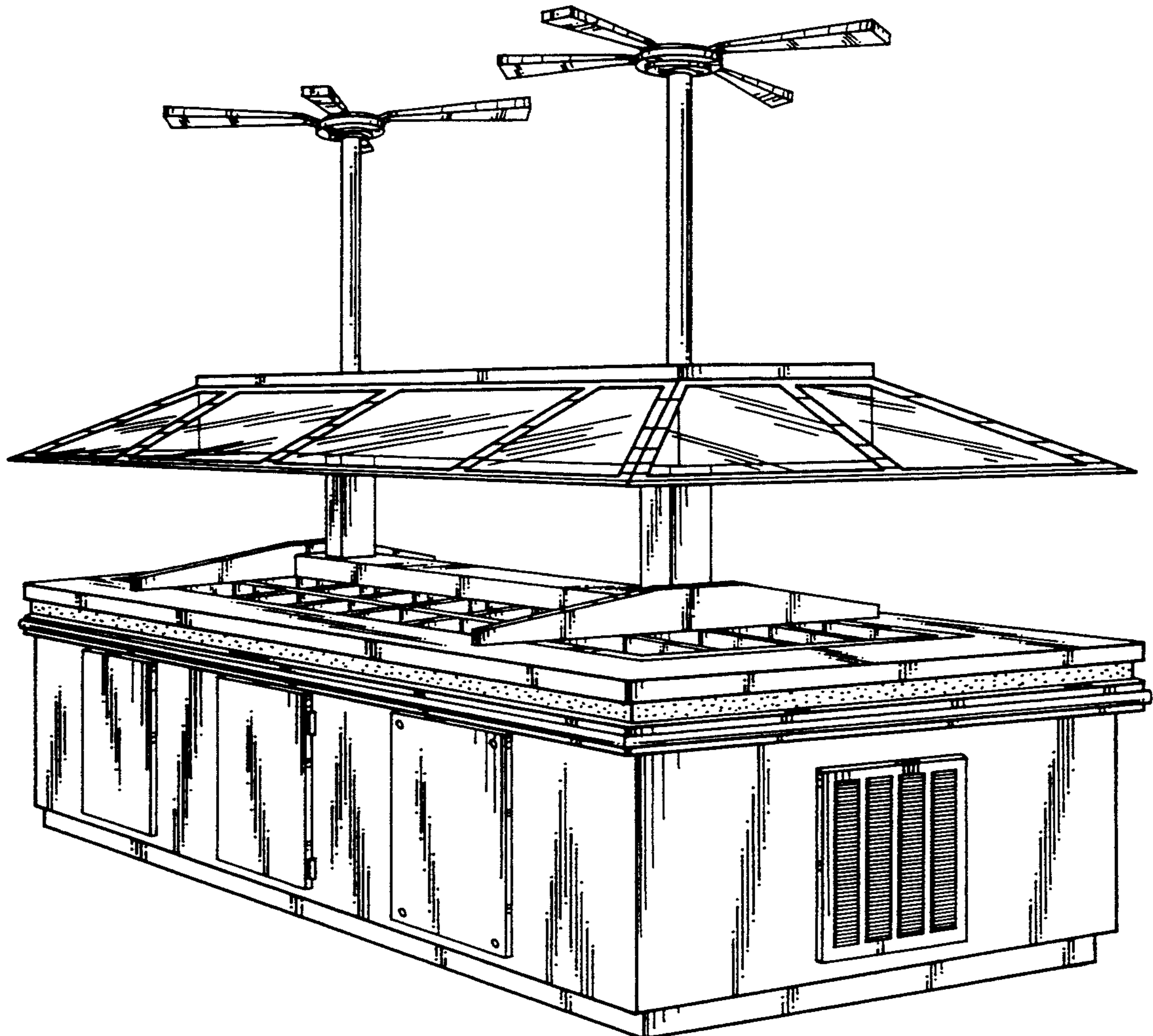


FIG. 1

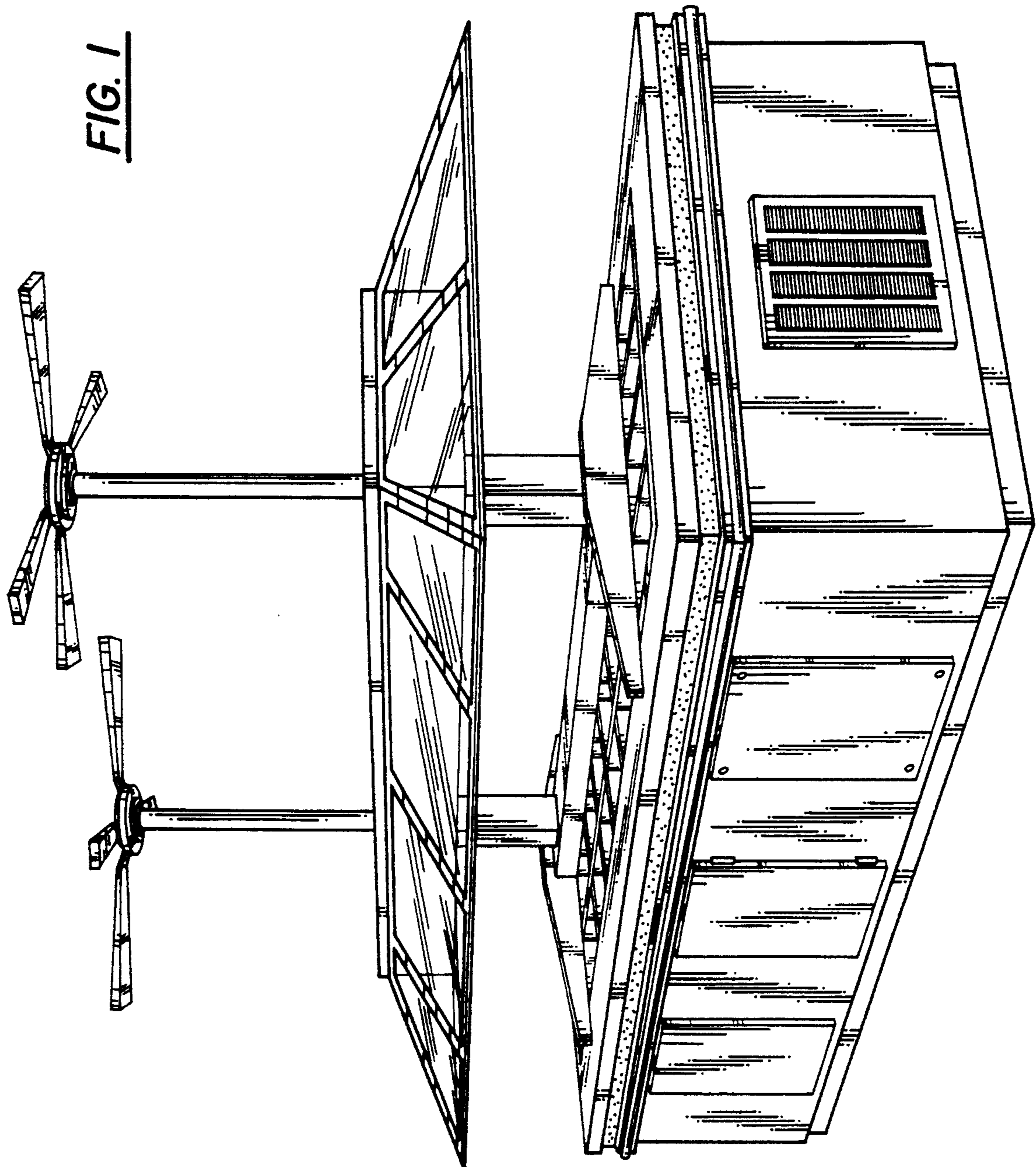


FIG. 2

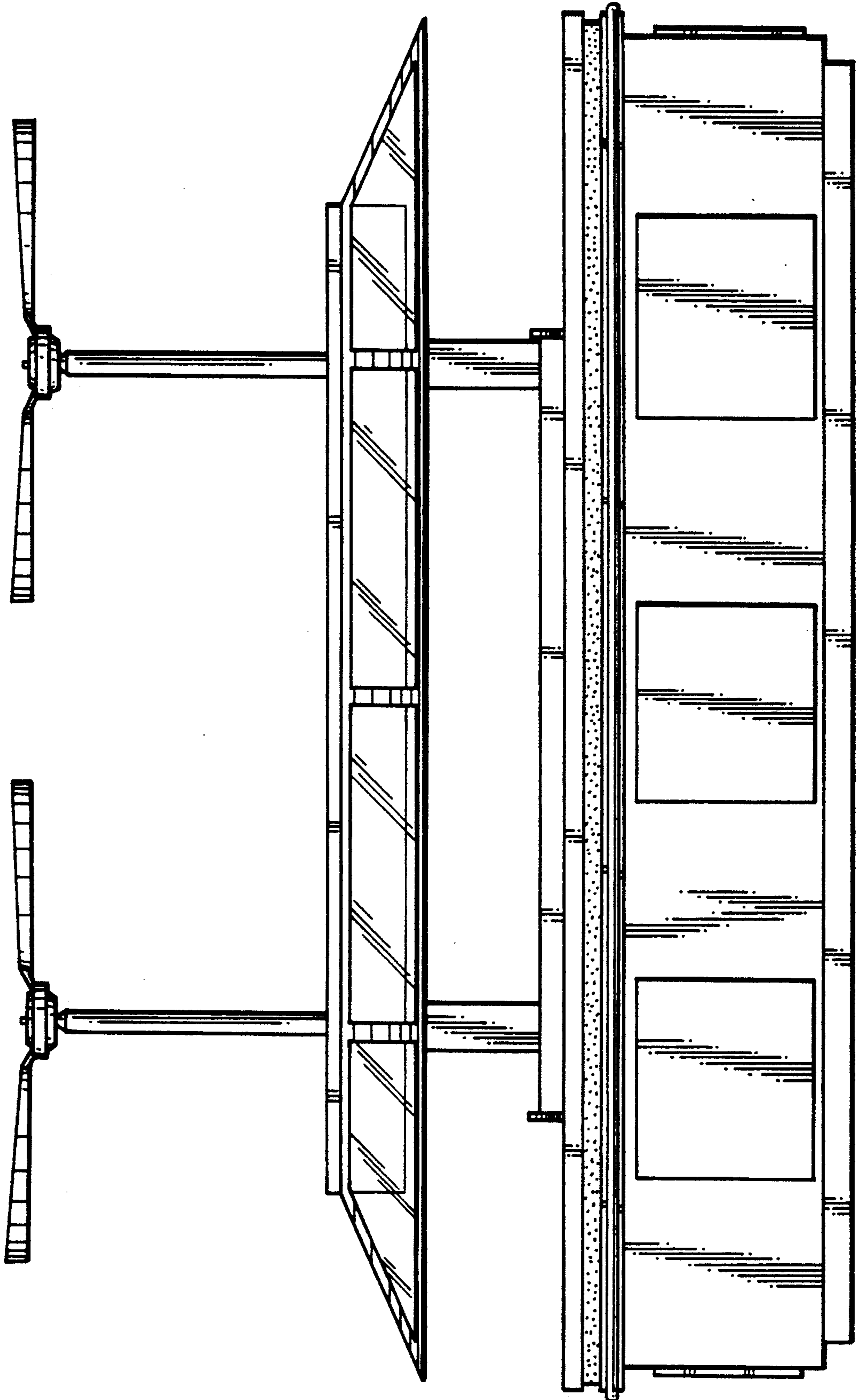


FIG. 3

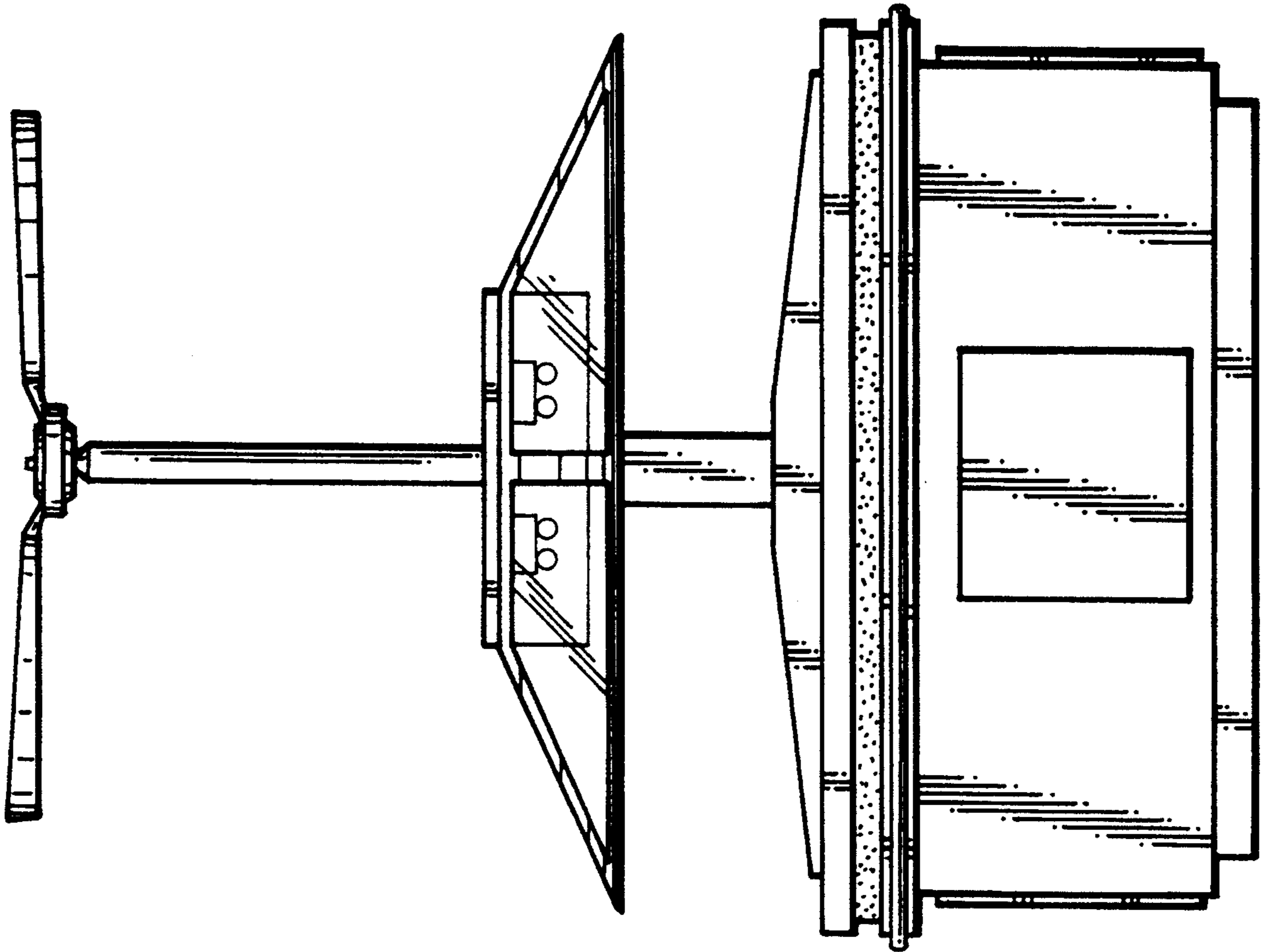


FIG. 4

