



US00D349586S

**United States Patent** [19]  
**Handke**

[11] **Patent Number: Des. 349,586**  
[45] **Date of Patent: \*\* Aug. 9, 1994**

[54] **MASK**  
[76] **Inventor: Patrick M. Handke, 416 Brunner Dr., Monroeville, Pa. 15146**  
[\*\*] **Term: 14 Years**  
[21] **Appl. No.: 478,783**  
[22] **Filed: Feb. 7, 1990**  
[52] **U.S. Cl. .... D24/110.4; D24/162**  
[58] **Field of Search .... 128/206.24, 206.26, 128/205.25, 205.24, 207.11, 206.17, 206.28; D29/7, 6, 8, 9; D24/162**

4,799,477 1/1989 Lewis ..... 128/206.26

*Primary Examiner*—Kay H. Chin

[57] **CLAIM**

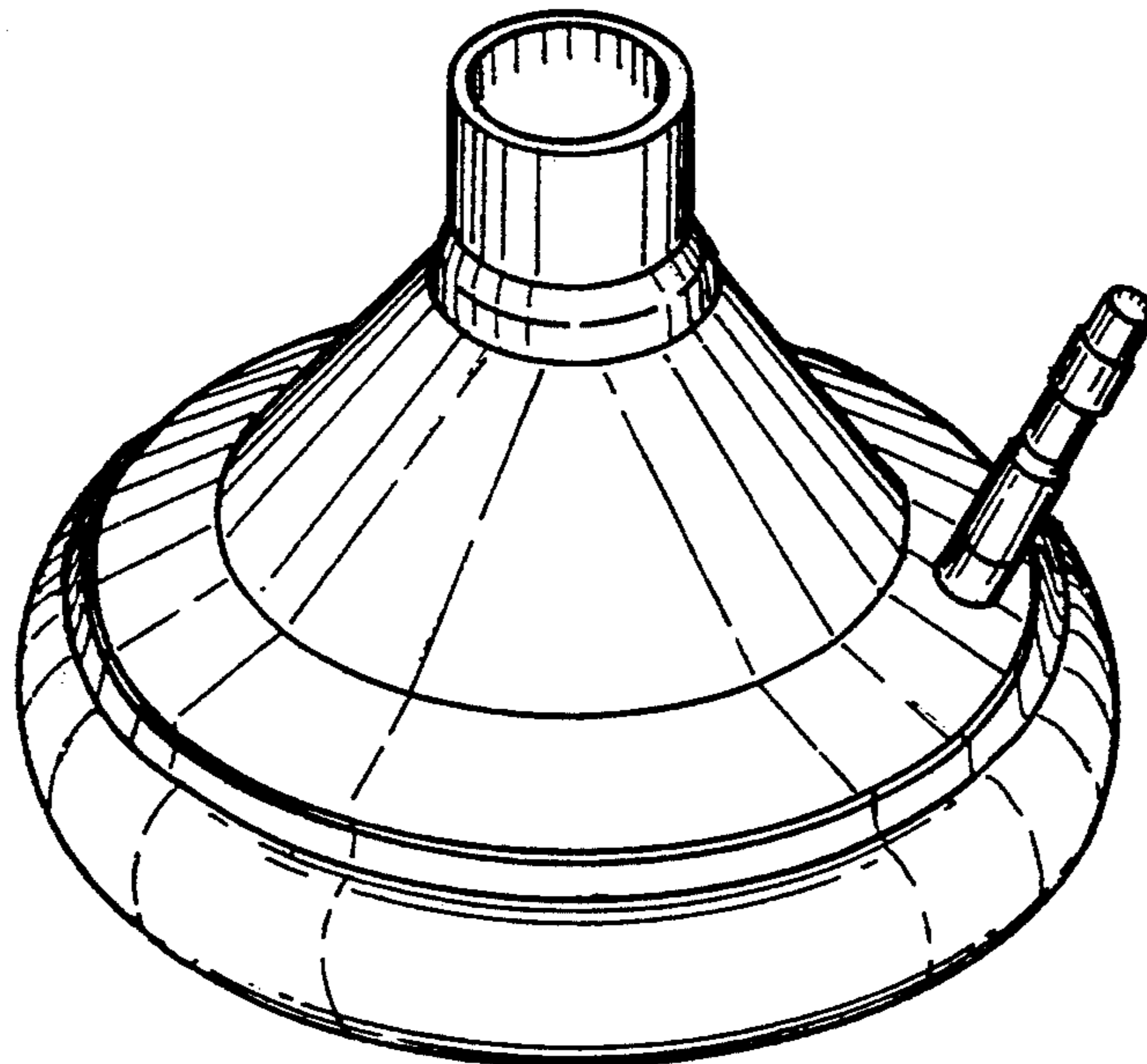
The ornamental design for a mask, as shown and described.

**DESCRIPTION**

FIG. 1 is a top and side perspective view of a mask showing my new design;  
FIG. 2 is a top plan view thereof;  
FIG. 3 is a bottom plan view thereof;  
FIG. 4 is a rear elevational view thereof;  
FIG. 5 is a front elevational view thereof;  
FIG. 6 is a left side elevational view thereof;  
FIG. 7 is a right side elevational view thereof;  
FIG. 8 is a top and side perspective view of a second embodiment of the mask; and,  
FIG. 9 is a top and rear perspective view of FIG. 8. The bottom of the second embodiment being the same as the first embodiment shown in FIG. 3.

[56] **References Cited**  
**U.S. PATENT DOCUMENTS**

D. 293,613 1/1988 Wingle ..... D29/7  
D. 300,473 3/1989 Roush ..... D29/7  
D. 303,587 9/1989 Quinn et al. .... D29/7  
D. 305,166 12/1989 Quinn et al. .... D29/7  
2,666,432 1/1954 Stanton ..... 128/206.26



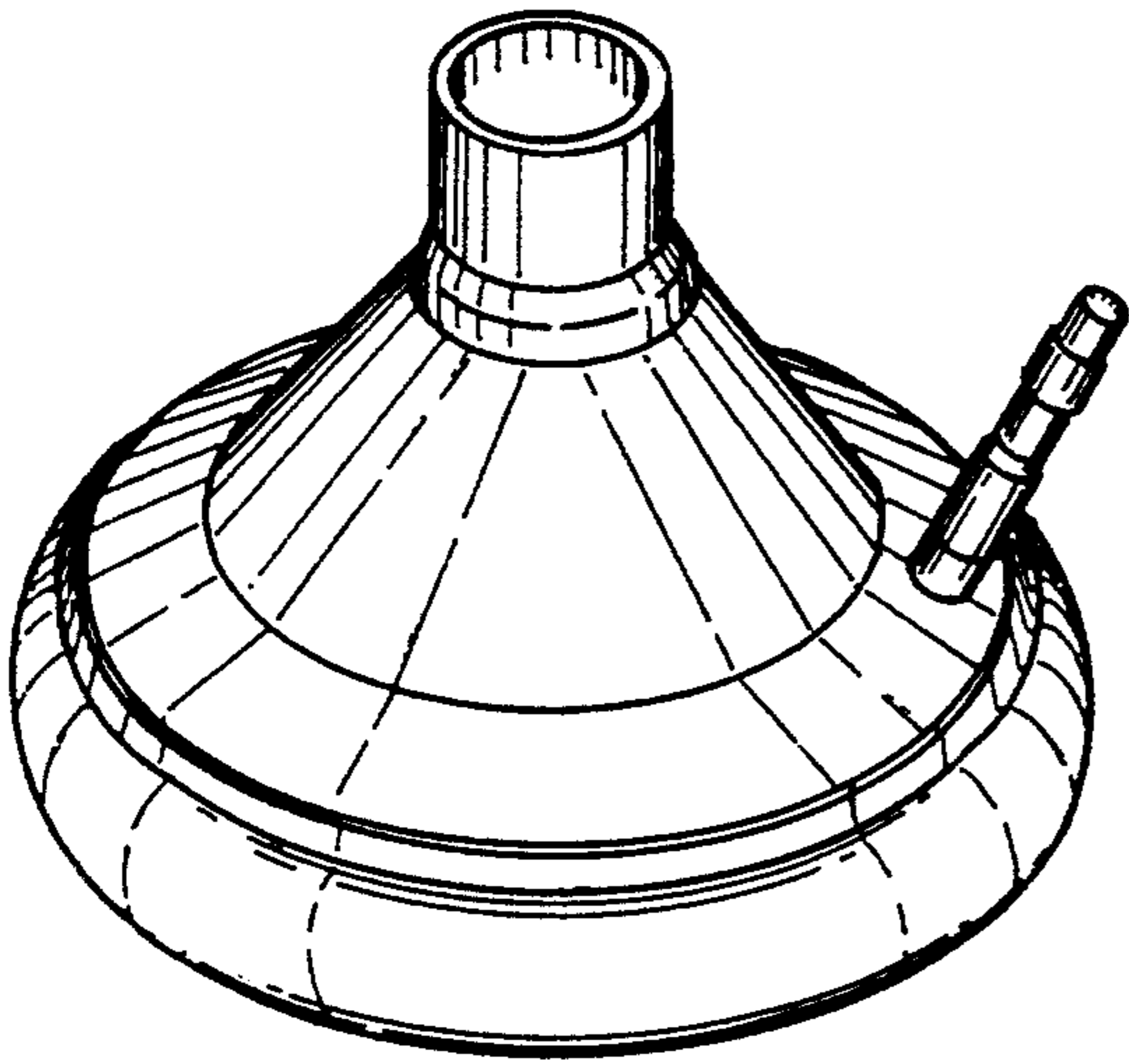


FIG. 1

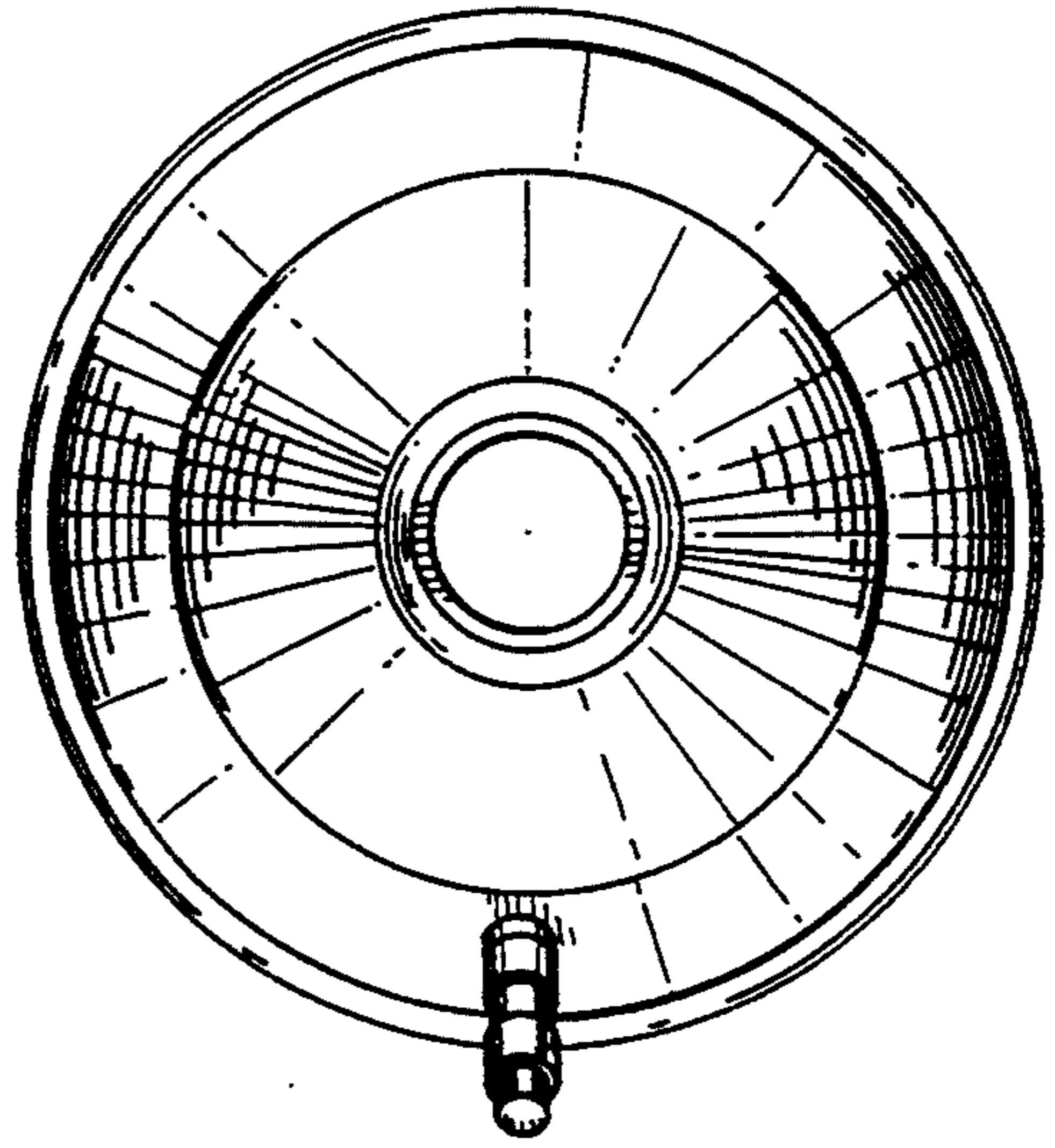


FIG. 2

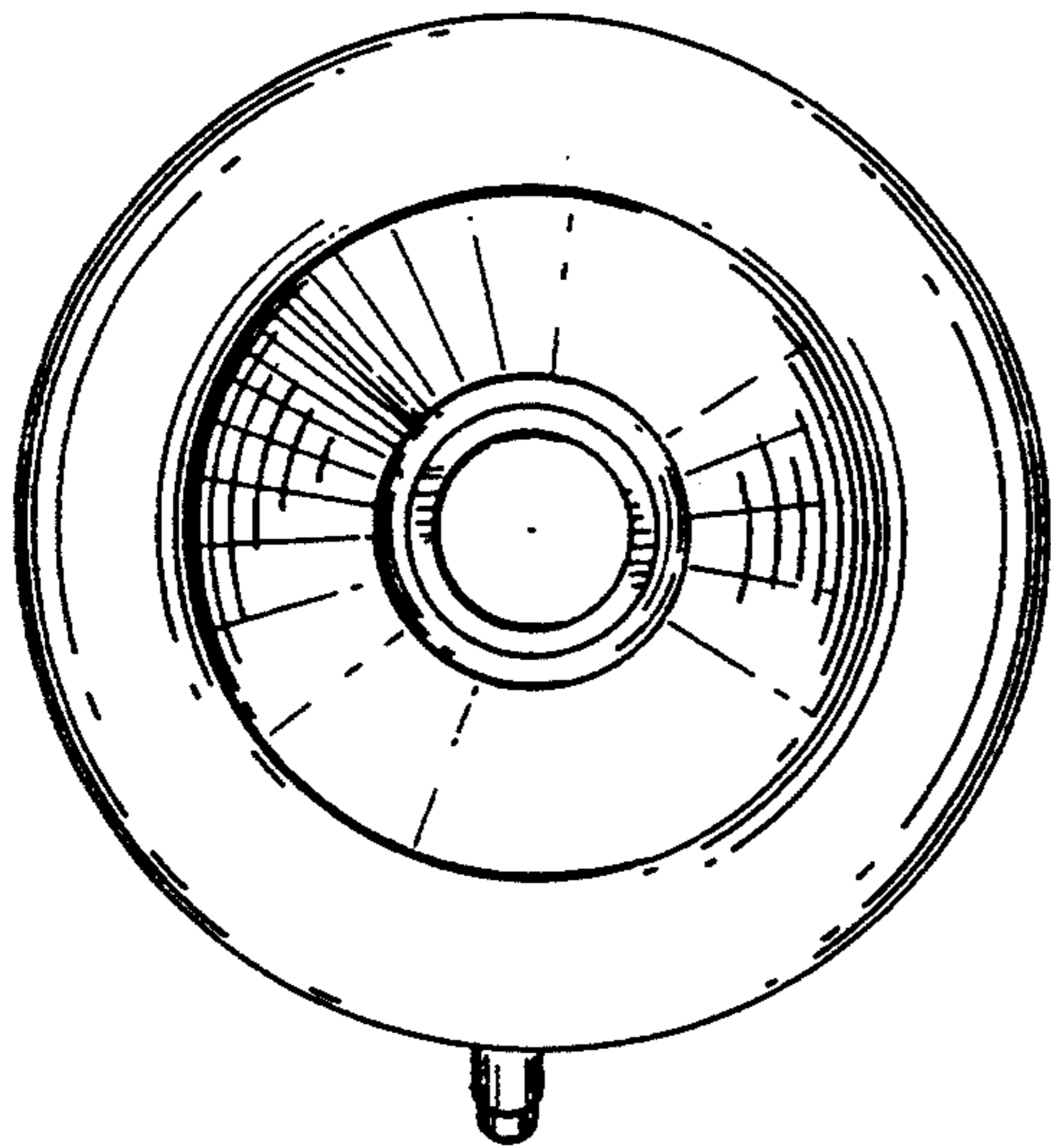


FIG. 3

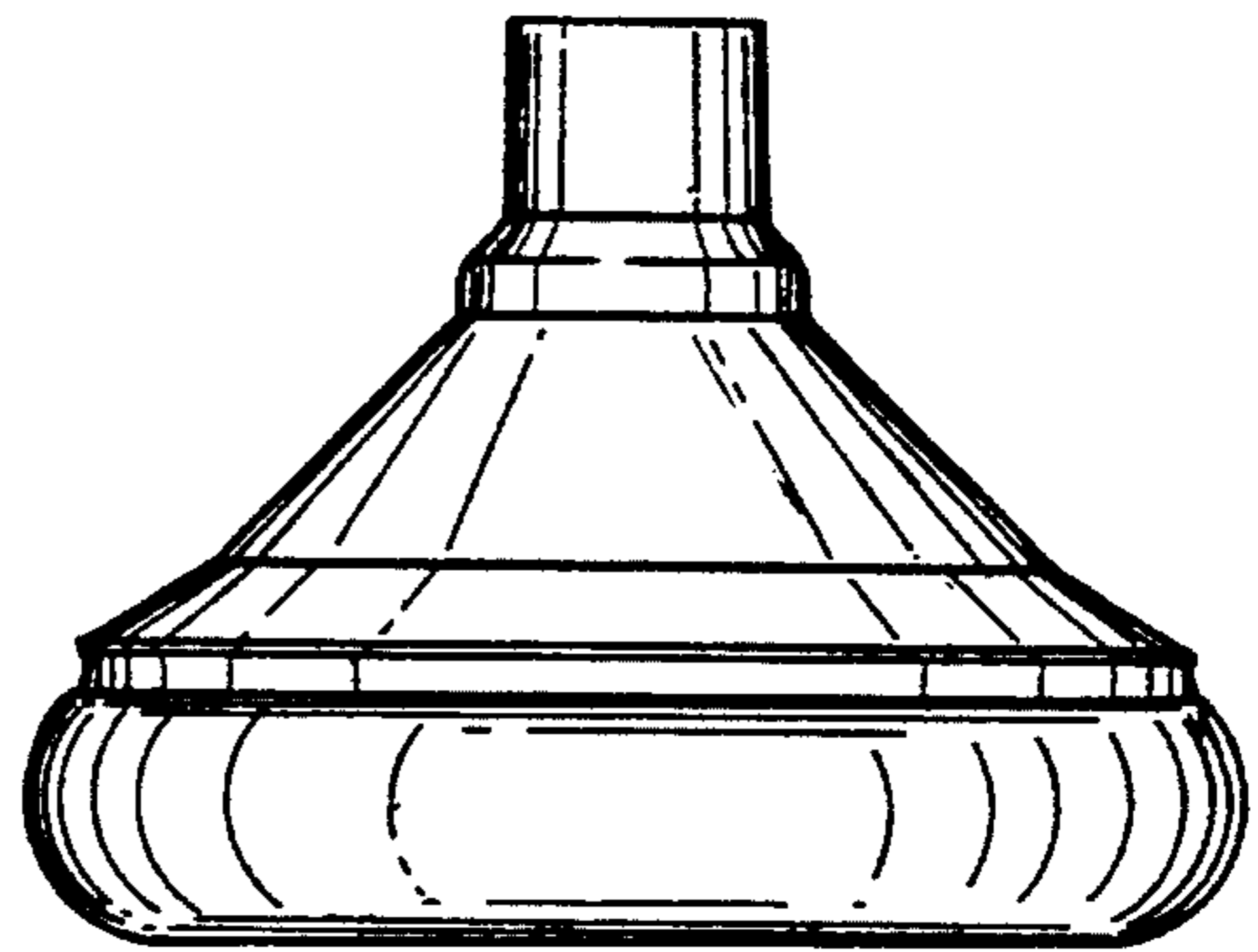


FIG. 4

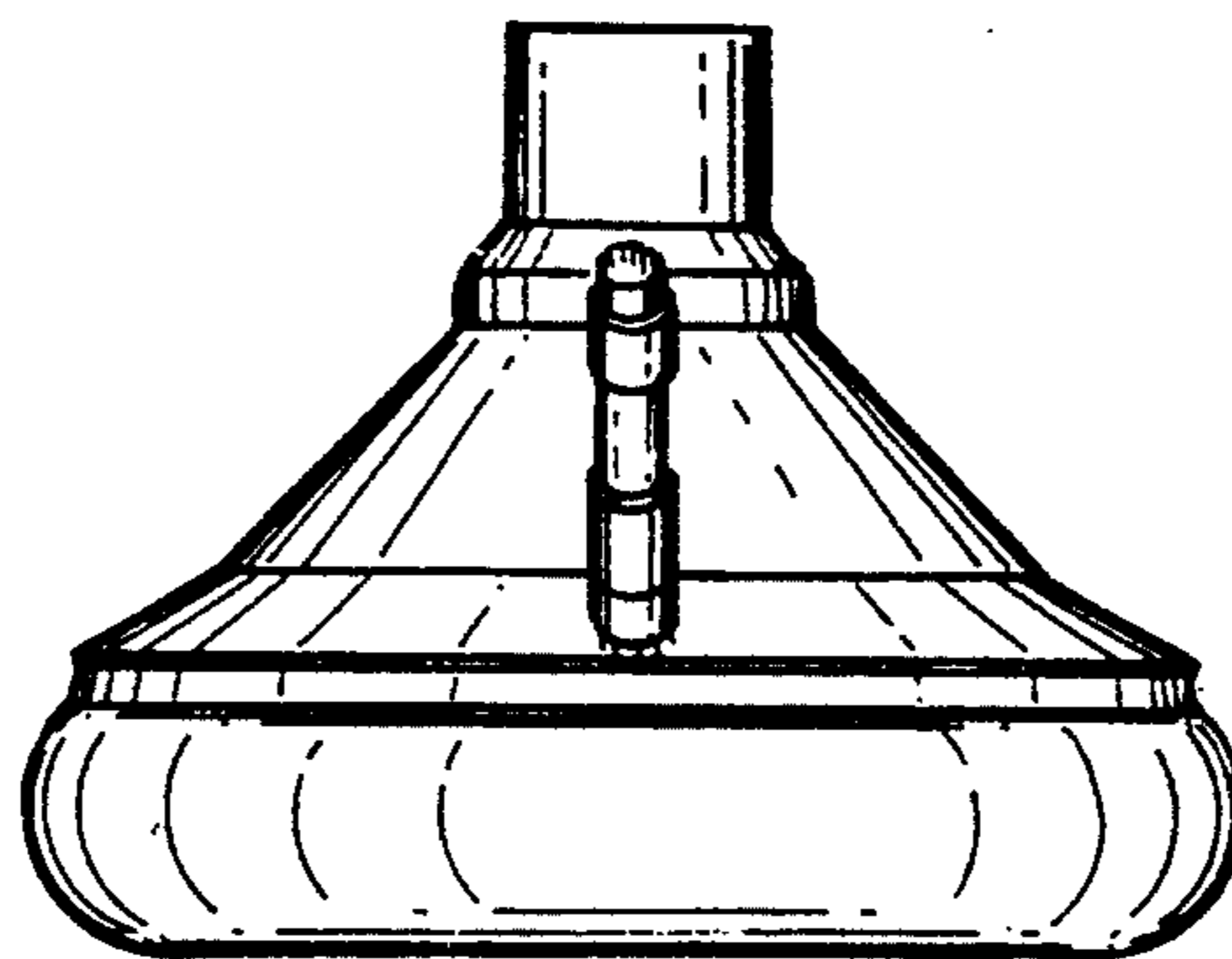


FIG. 5

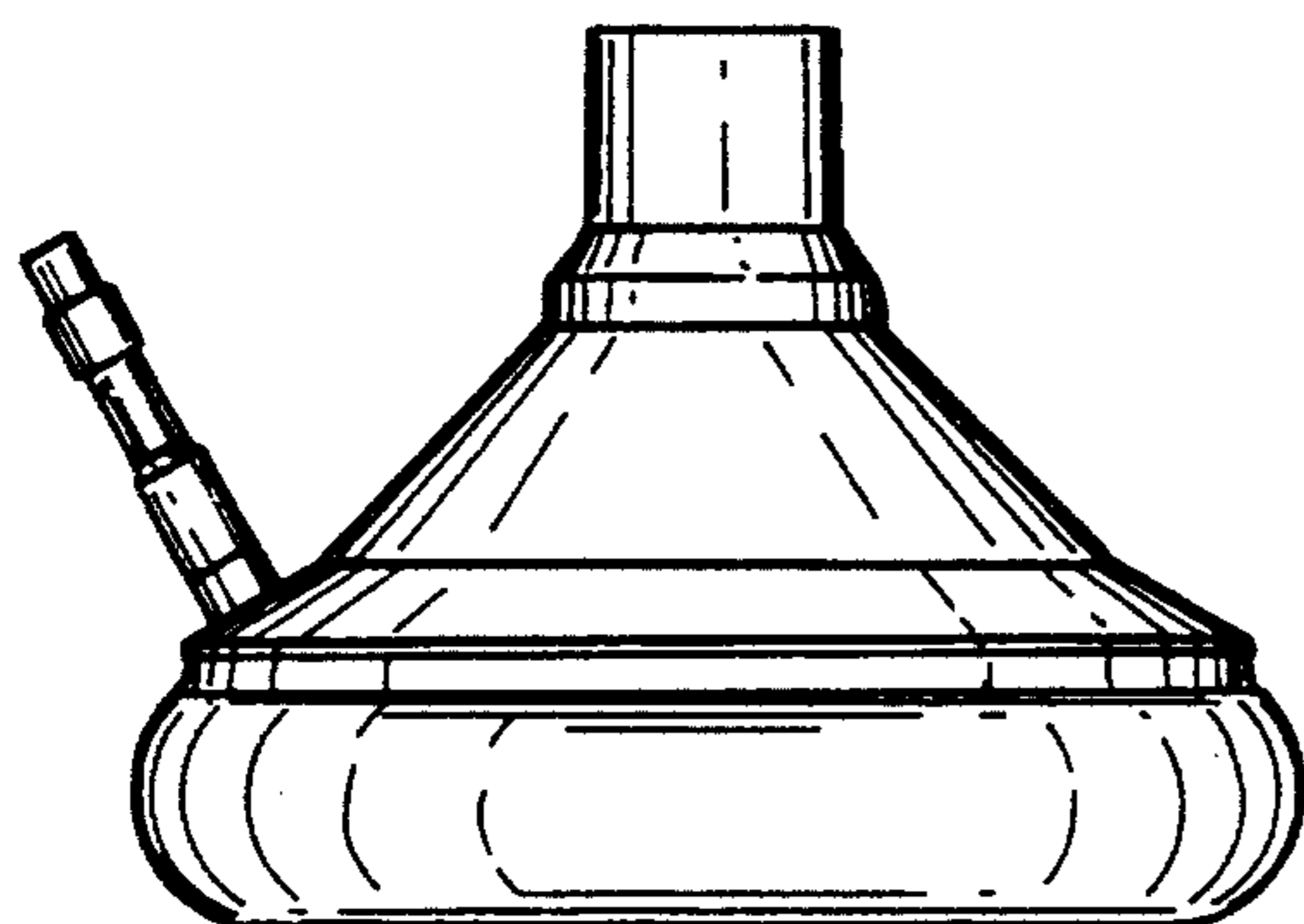


FIG. 6

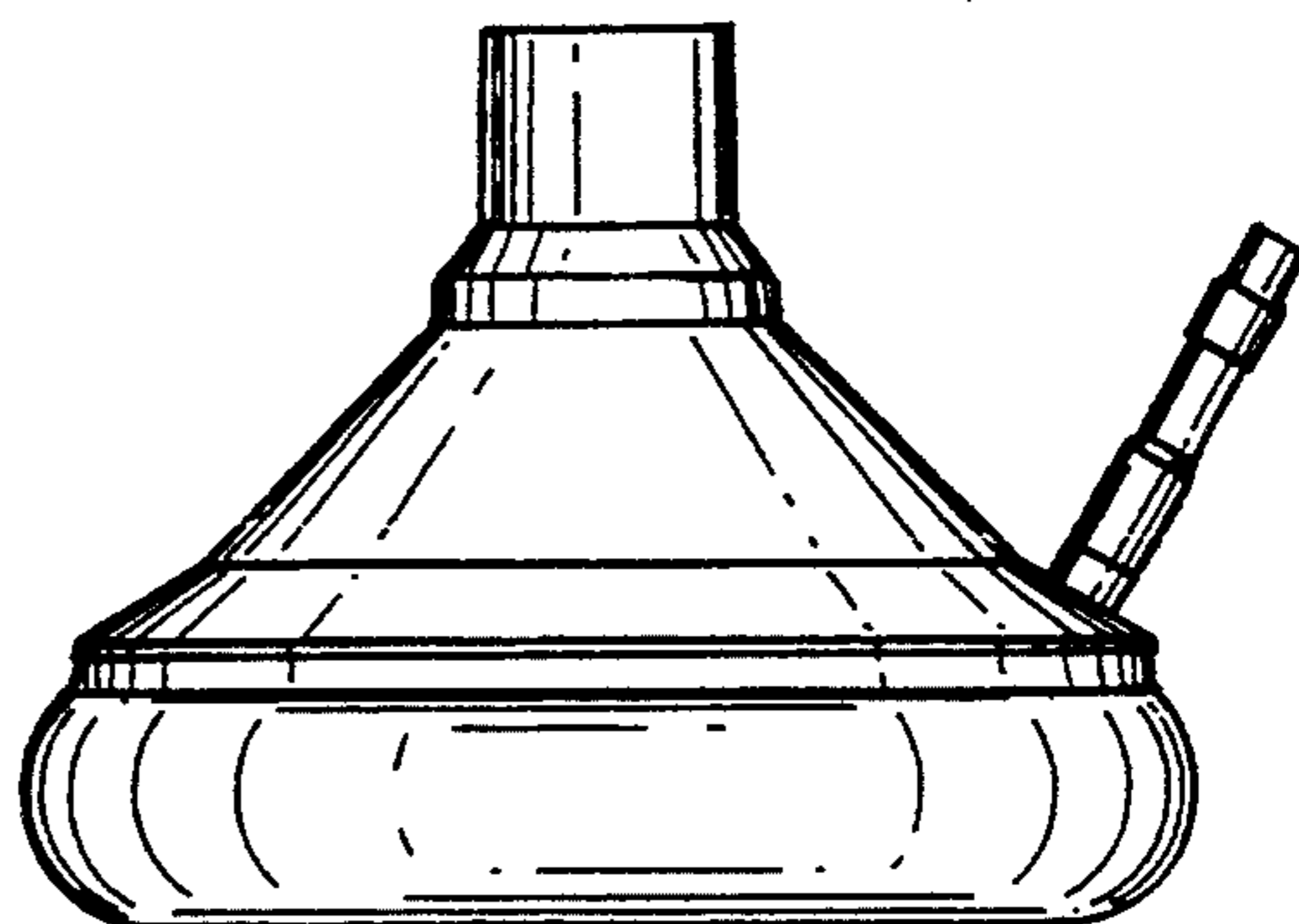


FIG. 7

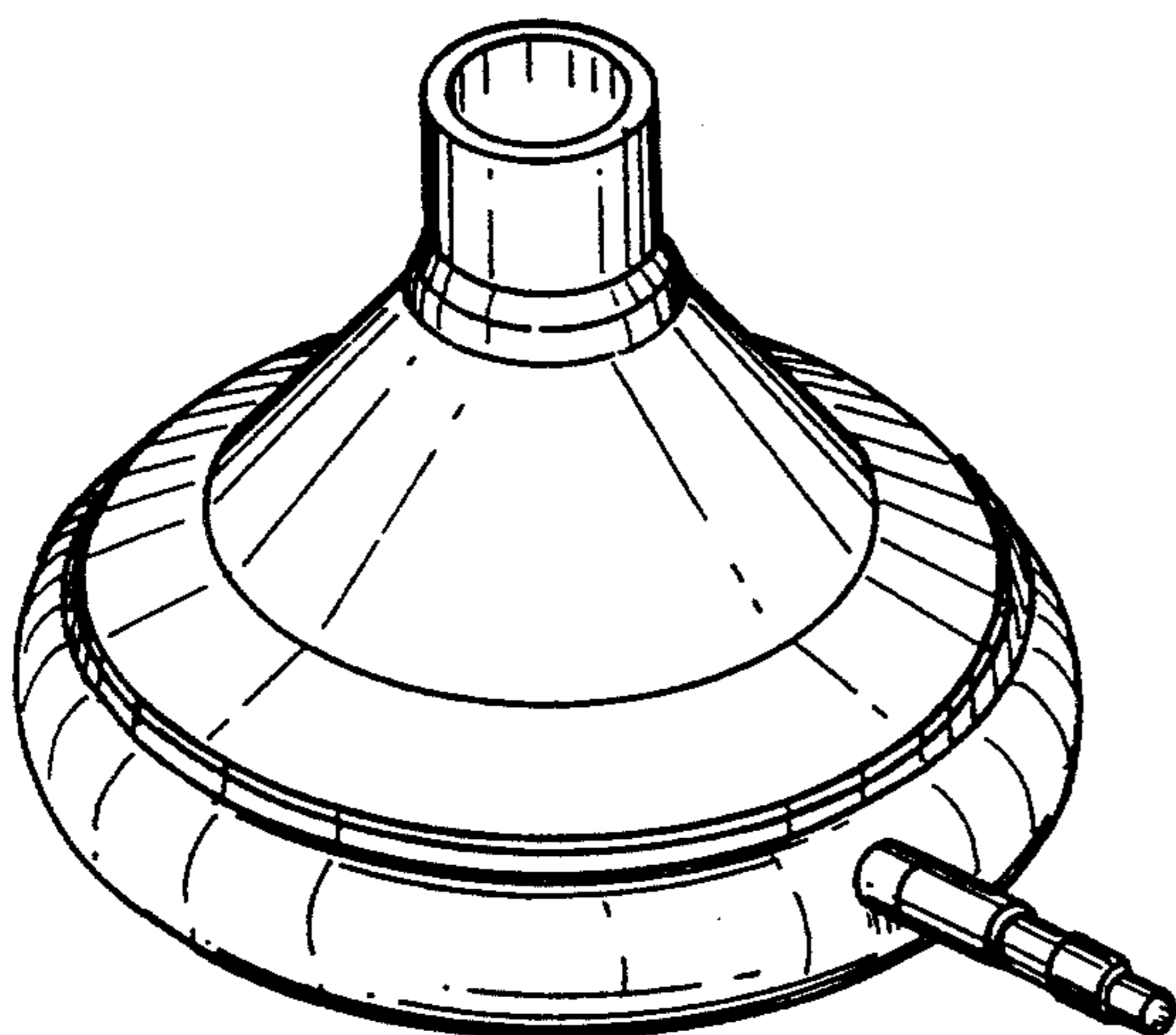


FIG. 8

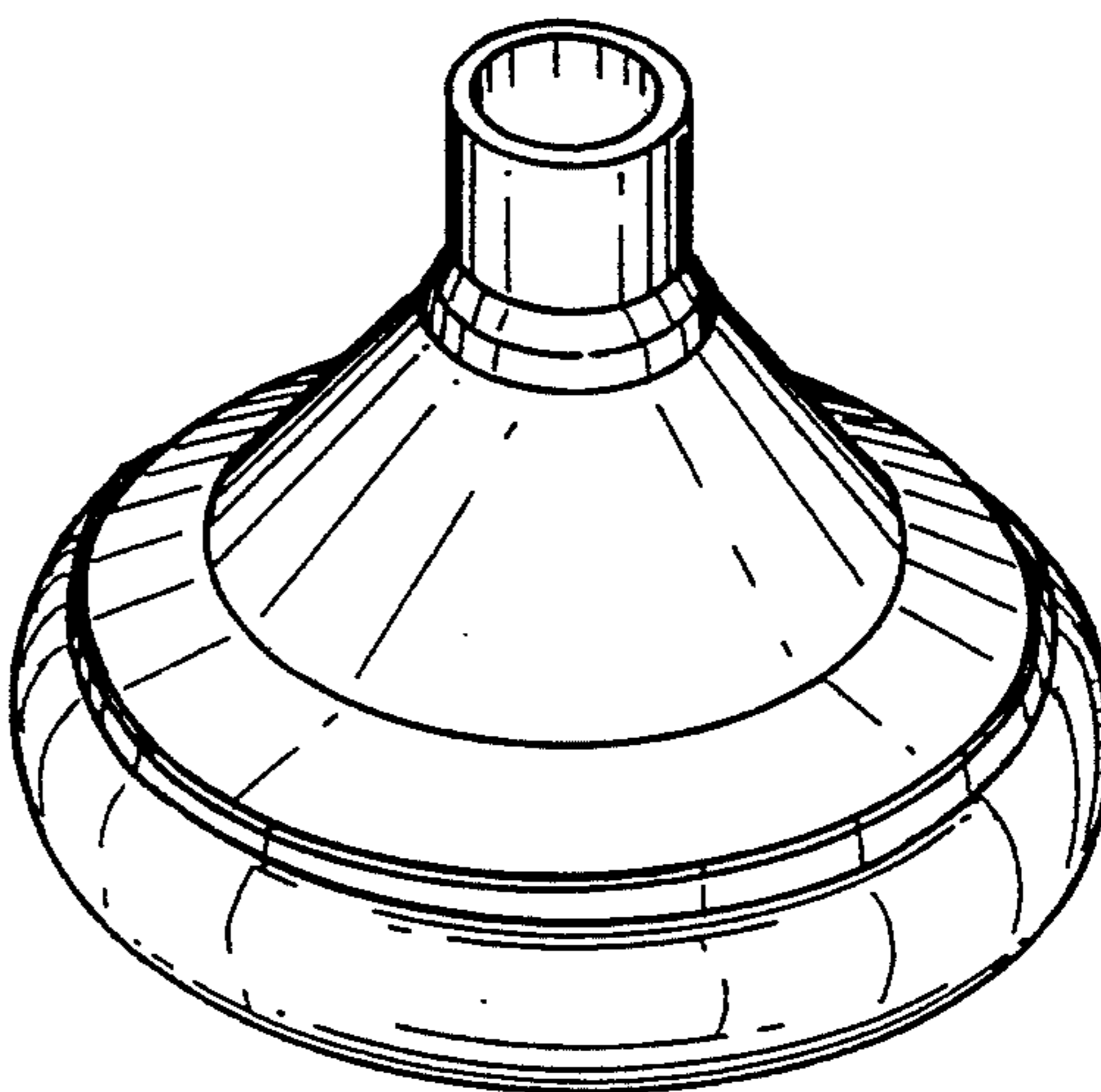


FIG. 9