



US00D349585S

# United States Patent [19]

[11] Patent Number: **Des. 349,585**

Rizzuto, Jr.

[45] Date of Patent: **\*\* Aug. 9, 1994**

- [54] **REVERSIBLE DIFFUSER FOR A HAIR DRYER**
- [75] Inventor: **Leandro P. Rizzuto, Jr., Stamford, Conn.**
- [73] Assignee: **Conair Corporation, Stamford, Conn.**
- [\*\*] Term: **14 Years**
- [21] Appl. No.: **925,481**
- [22] Filed: **Aug. 6, 1992**
- [52] U.S. Cl. .... **D28/18**
- [58] Field of Search ..... **34/96-101; 392/384, 385; 132/212, 271; D28/13-18**

- [56] **References Cited**
- U.S. PATENT DOCUMENTS**
- D. 259,284 5/1981 Megna ..... D28/18
  - D. 259,742 6/1981 Iammatteo ..... D28/18
  - 5,036,601 8/1991 Mulle, Jr. et al. .... 34/97
- FOREIGN PATENT DOCUMENTS**
- 0439781 8/1991 European Pat. Off. .... 34/96
  - 2728406 1/1979 Fed. Rep. of Germany ..... 34/96
  - 2211419 7/1989 United Kingdom ..... 392/385

**OTHER PUBLICATIONS**

"Hong Kong Enterprise" Oct. 1990, p. 374; top right: VR800 Finger Softstyler.

"Hong Kong Enterprise," Jun. 1991, p. 187: diffuser on hair dryer-lower right.

*Primary Examiner*—Bernard Ansher  
*Assistant Examiner*—C. Tuttle  
*Attorney, Agent, or Firm*—Haynes N. Johnson

[57] **CLAIM**

The ornamental design for a reversible diffuser for a hair dryer, as shown and described.

**DESCRIPTION**

FIG. 1 is a perspective view of a reversible diffuser for a hair dryer, showing my new design, with the rotating face plate facing in one direction;

FIG. 2 is a perspective view of a reversible diffuser for a hair dryer, showing my new design, with the rotating face plate facing in the reverse direction;

FIG. 3 is a front elevational view of FIG. 1;

FIG. 4 is a rear elevational view thereof;

FIG. 5 is a front elevational view of FIG. 2;

FIG. 6 is a top plan view of FIG. 1, the side opposite being a mirror image;

FIG. 7 is a top plan view of FIG. 2, the side opposite being a mirror image;

FIG. 8 is a right side elevational view of FIG. 1, the side opposite being a mirror image; and,

FIG. 9 is a right side elevational view of FIG. 2, the side opposite being a mirror image.

The broken line showing of the hair dryer is for illustrative purposes only and forms no part of the claimed design.

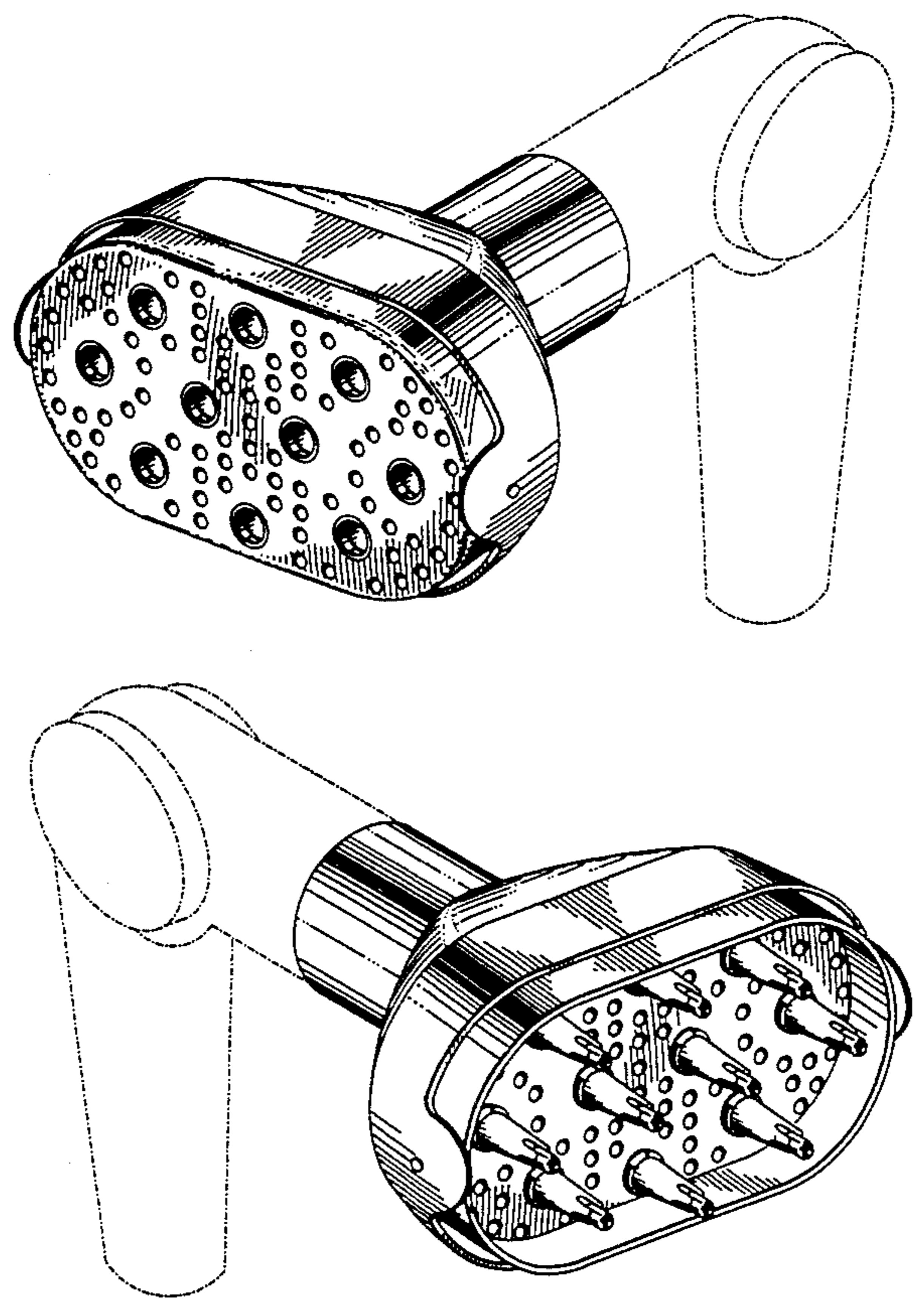


FIG. 1

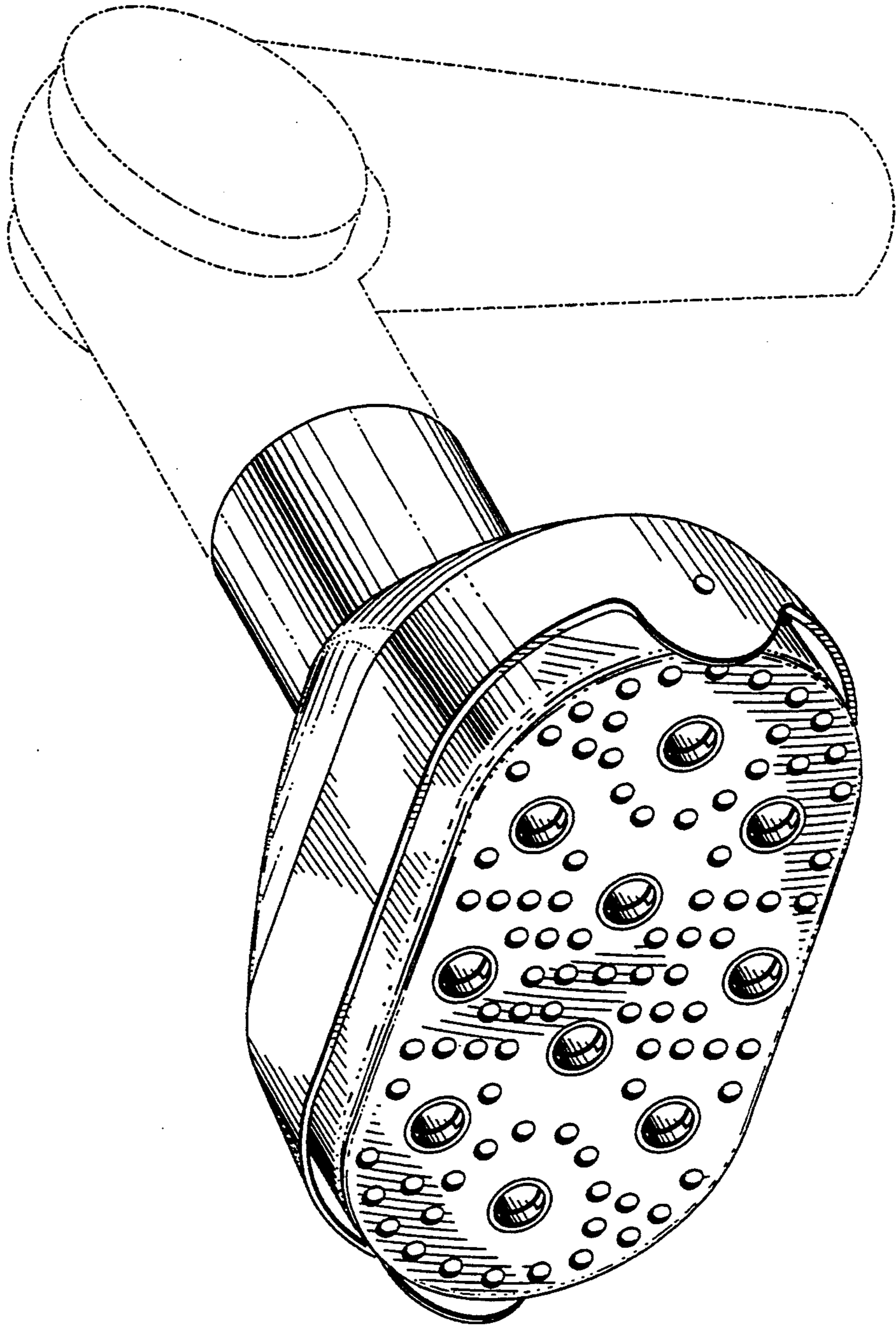


FIG. 2

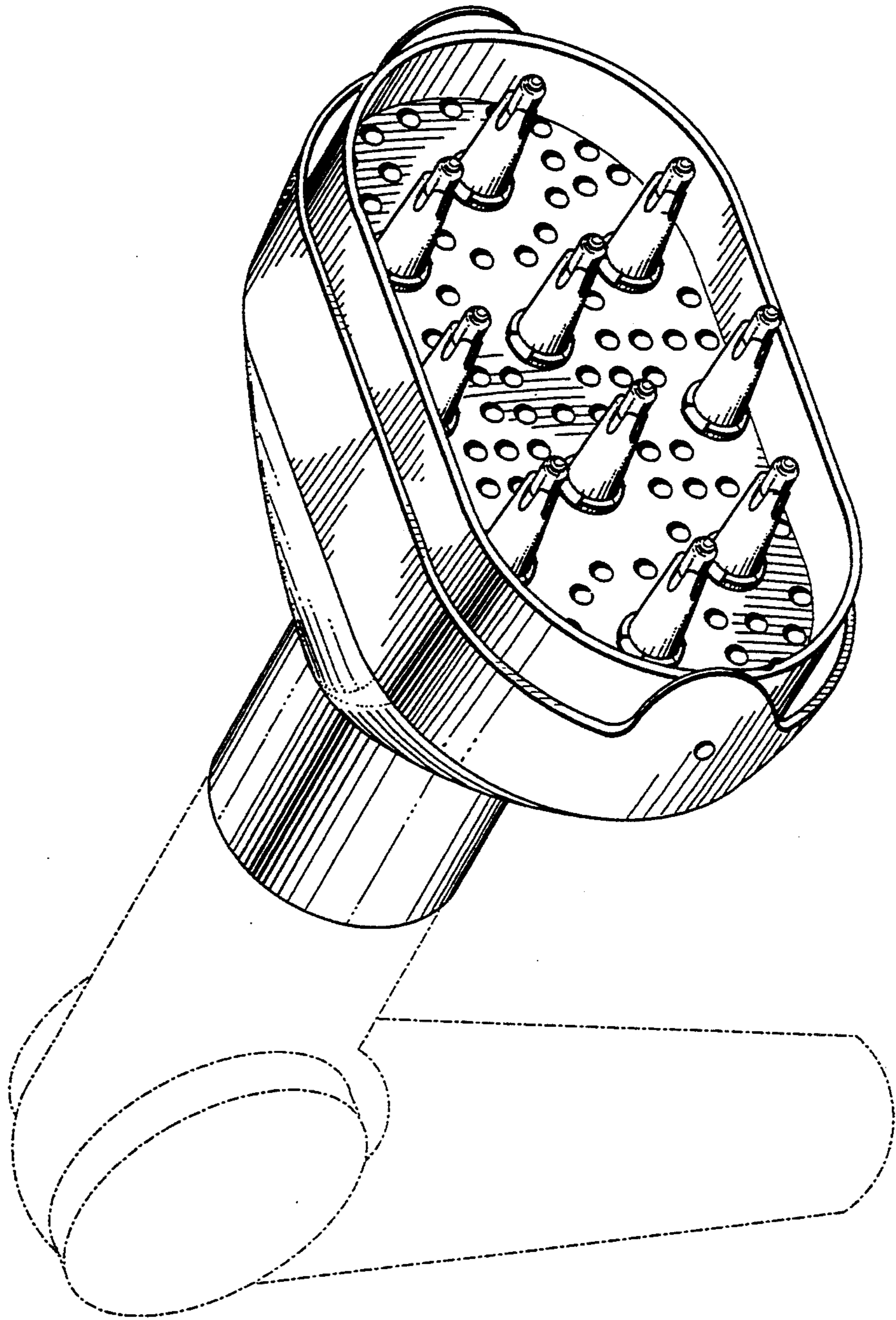


FIG. 3

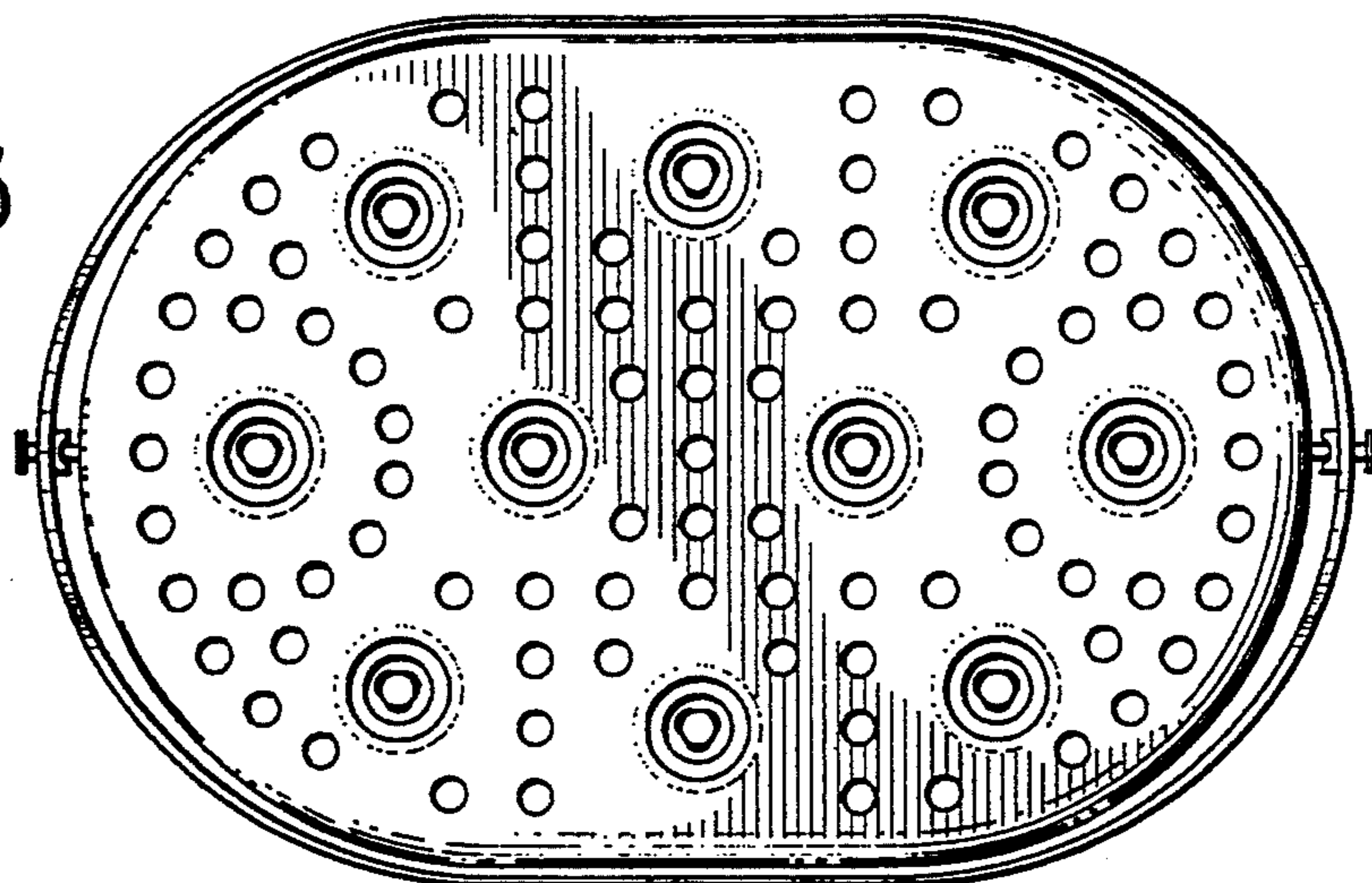


FIG. 4

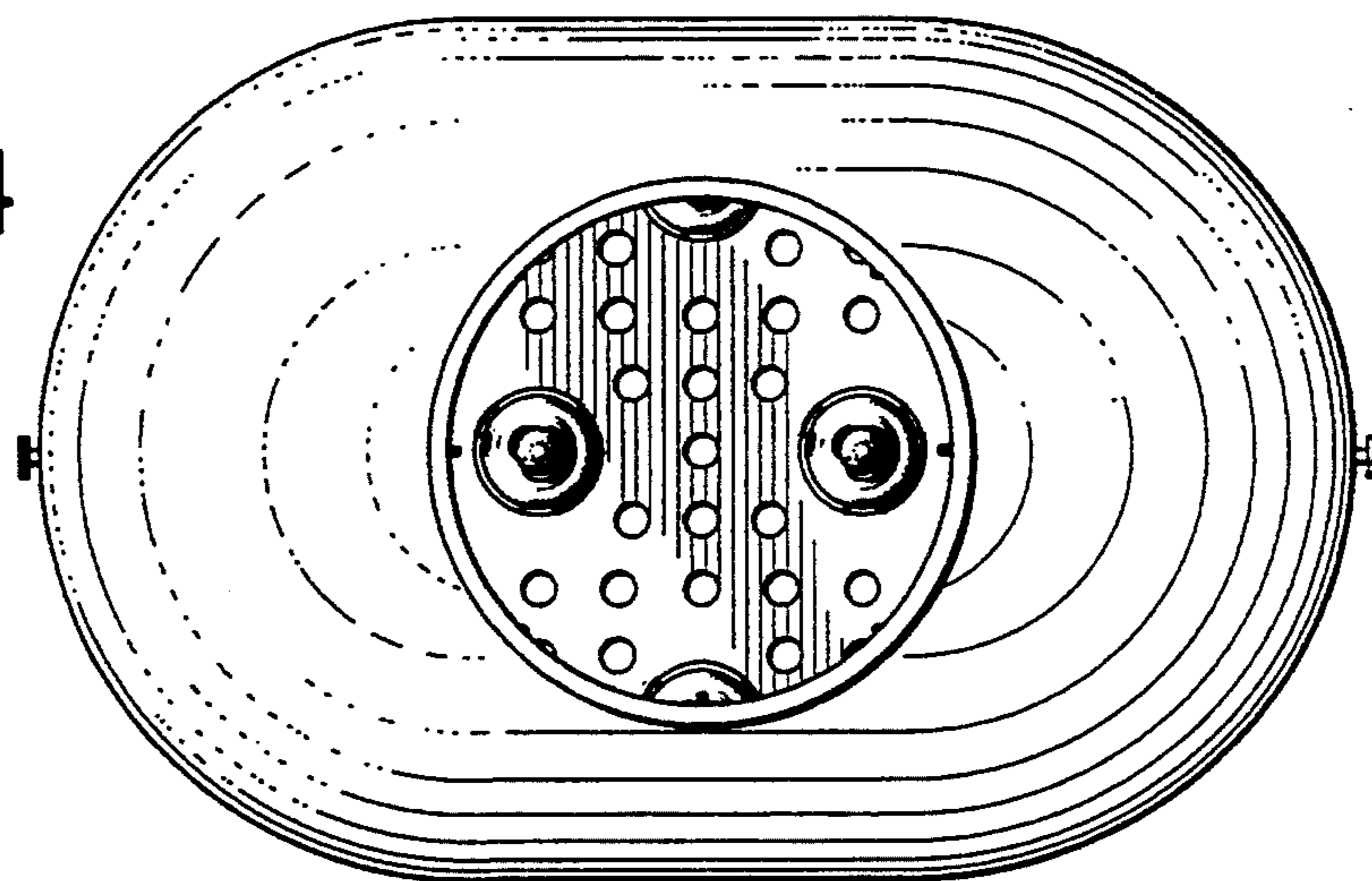


FIG. 5

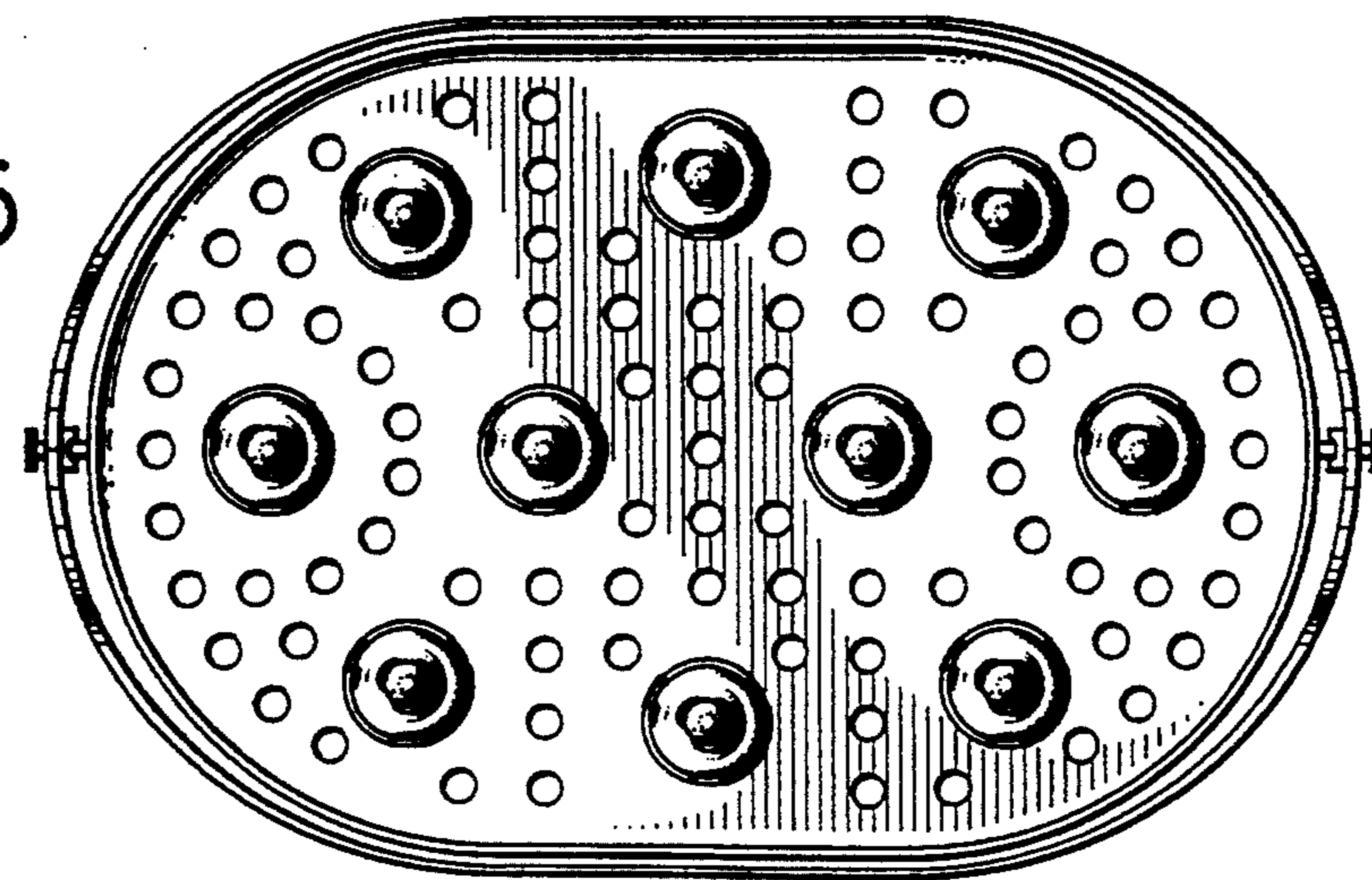


FIG. 6

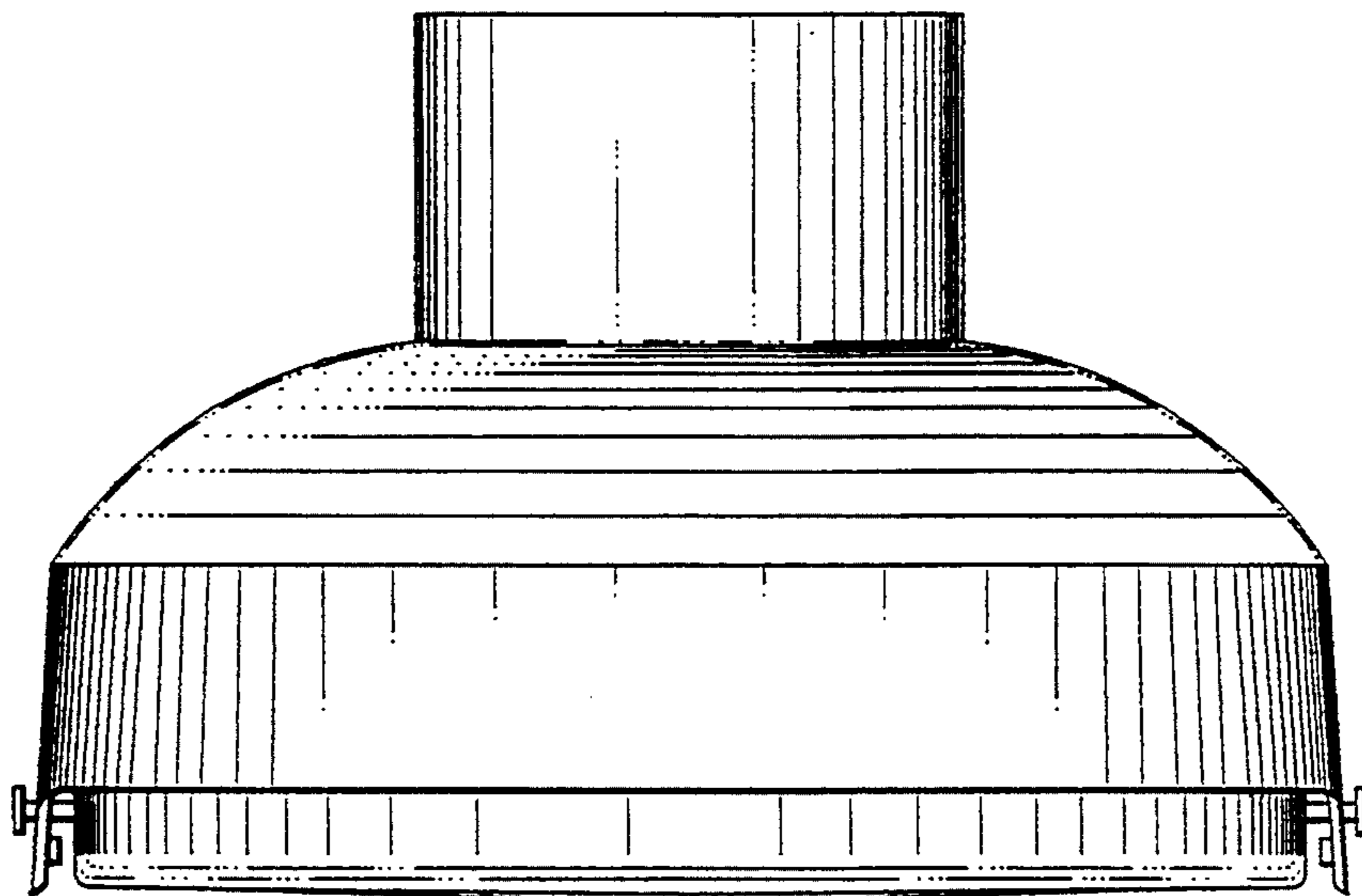


FIG. 7

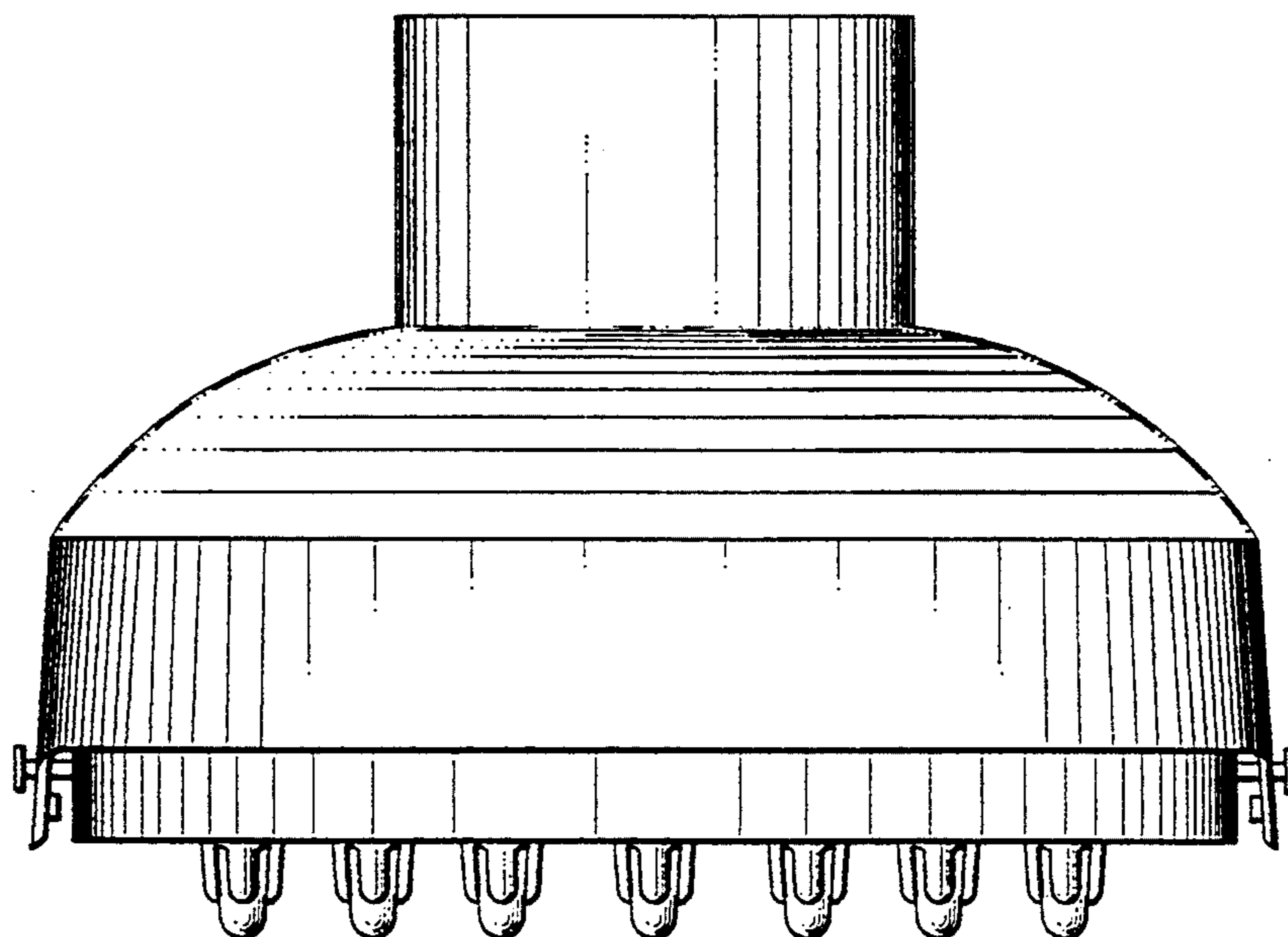


FIG. 8

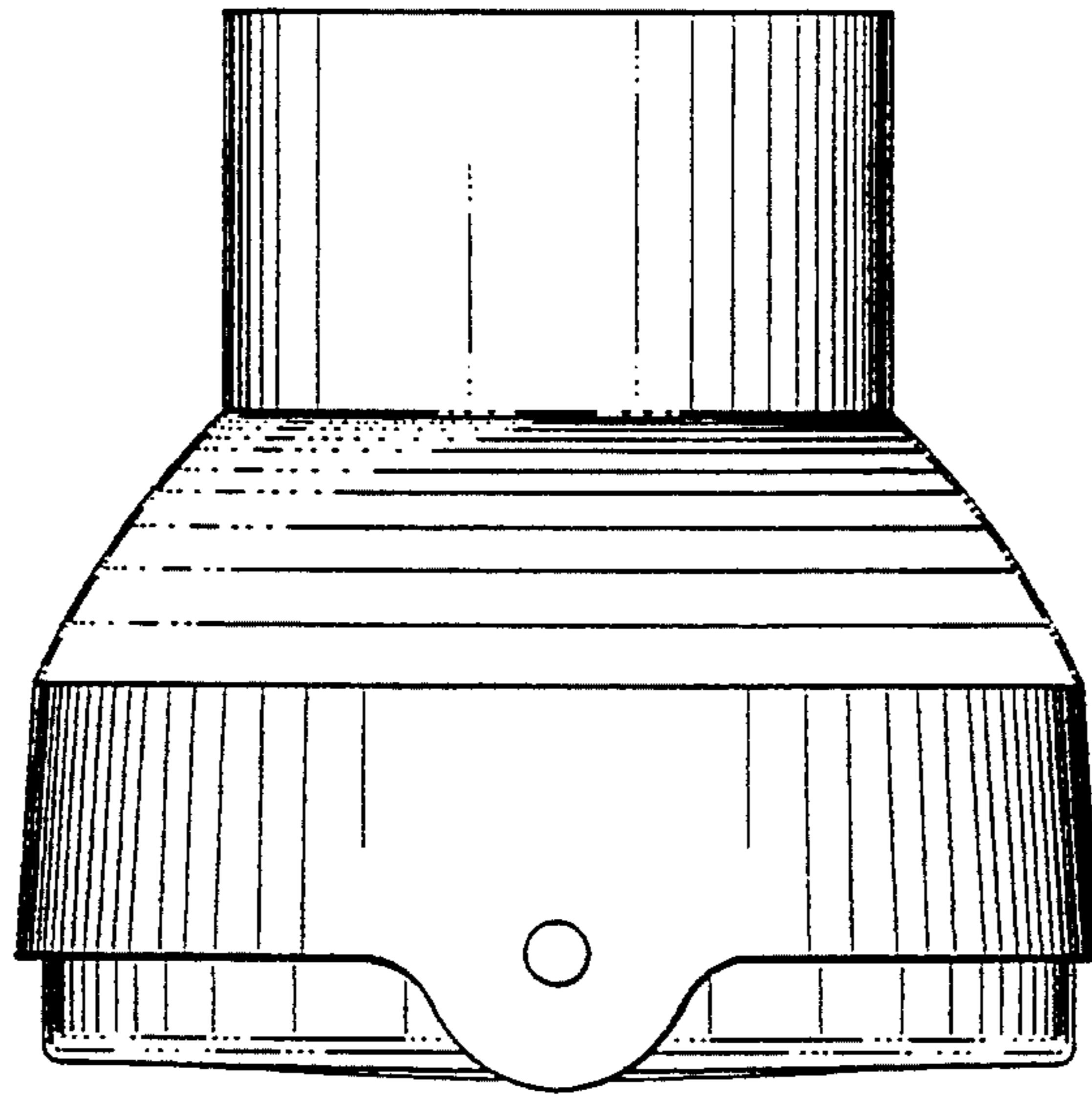


FIG. 9

