



US00D349579S

United States Patent [19]
Goldberg

[11] **Patent Number: Des. 349,579**

[45] **Date of Patent: ** Aug. 9, 1994**

[54] **SERVICE STATION CANOPY**
[75] **Inventor: Alan E. Goldberg, New Caanan, Conn.**
[73] **Assignee: Mobil Oil Corporation, Fairfax, Va.**
[**] **Term: 14 Years**
[21] **Appl. No.: 819,524**
[22] **Filed: Jan. 10, 1992**
[52] **U.S. Cl. D25/56**
[58] **Field of Search D25/56, 33, 34, 25, D25/1; D15/9.2**

D. 276,373 11/1984 Baffo D25/56
D. 296,133 6/1988 Baffo D15/9.2 X
D. 301,169 5/1989 Bass D15/9.2 X

Primary Examiner—A. Hugo Word
Assistant Examiner—Doris V. Coles
Attorney, Agent, or Firm—Alexander J. McKillop;
George W. Hager; Michael J. Mlotkowski

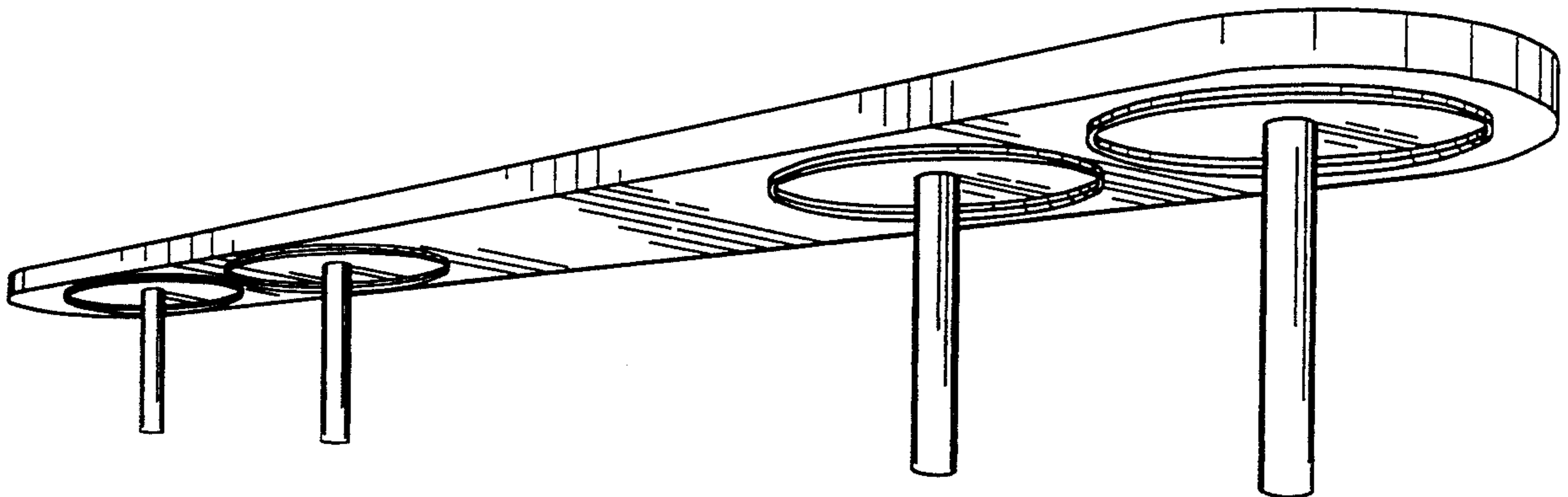
[57] **CLAIM**

The ornamental design of a service station canopy, as shown and described.

DESCRIPTION

FIG. 1 is a perspective view of a service station canopy, showing my new design;
FIG. 2 is a front elevational view thereof, the rear elevational view being a mirror image of FIG. 2;
FIG. 3 is a side elevational view thereof, the other side elevational view being a mirror image of FIG. 3; and, FIG. 4 is a top plan view thereof.
The broken line showing of environment in FIG. 3 is for illustrative purposes only and forms no part of claimed design.

- [56] **References Cited**
U.S. PATENT DOCUMENTS
D. 109,650 5/1938 Aldrich et al. D25/56
D. 206,868 2/1967 Noyes D25/56
D. 217,288 4/1970 Noyes D25/56
D. 241,632 9/1976 Noyes D25/56
D. 276,371 11/1984 Baffo D25/1
D. 276,372 11/1984 Baffo D25/56



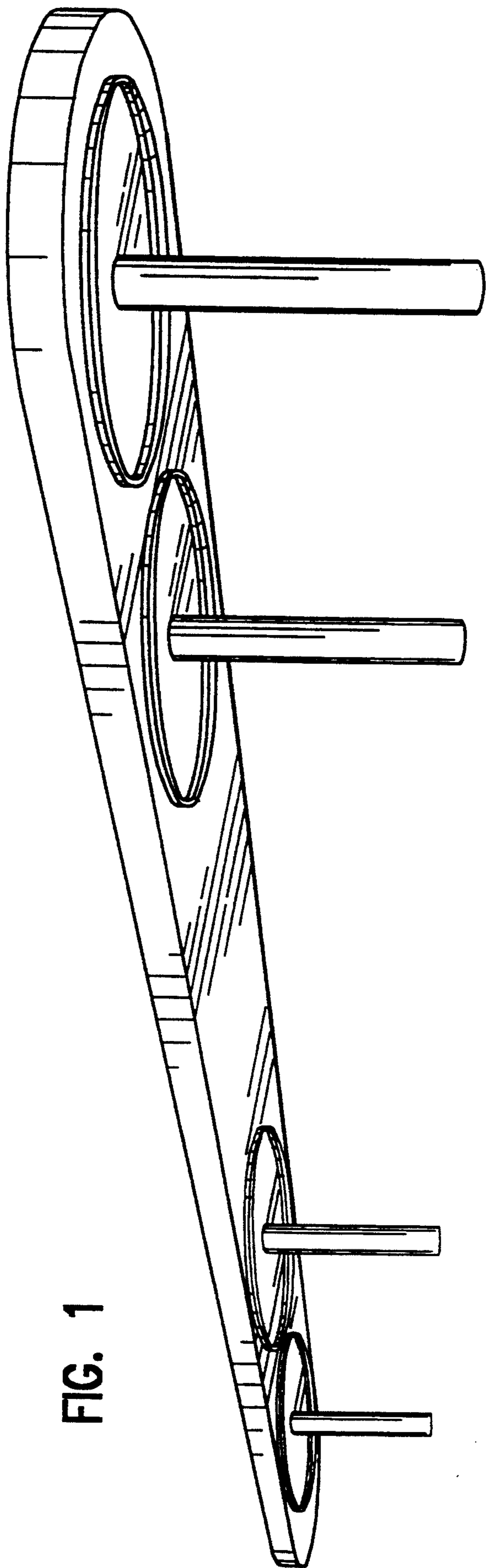


FIG. 1

FIG. 2

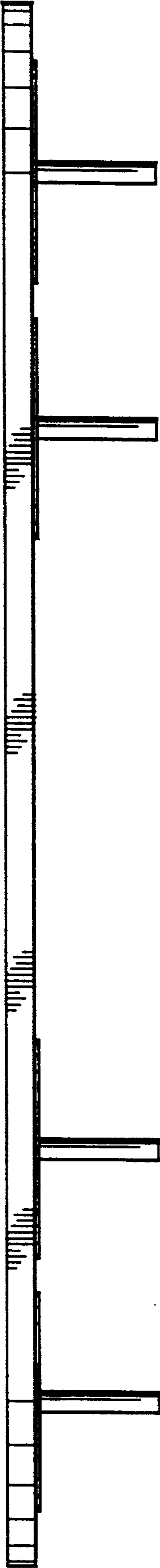


FIG. 4

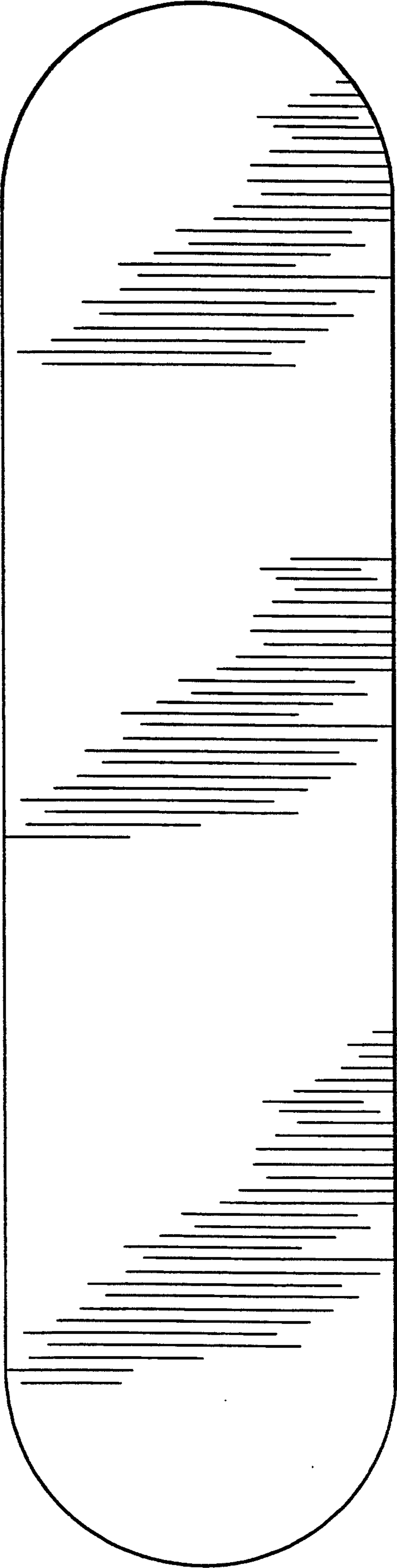


FIG. 3

