



US00D349573S

United States Patent [19]
Bookwalter et al.

[11] **Patent Number: Des. 349,573**
[45] **Date of Patent: ** Aug. 9, 1994**

- [54] **QUICK-LOCK HOLDER FOR LAPAROSCOPIC INSTRUMENT**
- [75] Inventors: **John R. Bookwalter**, Brattleboro, Vt.; **David T. Adler**, Manhasset, N.Y.
- [73] Assignee: **Flexbar Machine Corp.**, Central Islip, N.Y.
- [**] Term: **14 Years**
- [21] Appl. No.: **930,904**
- [22] Filed: **Aug. 17, 1992**
- [52] U.S. Cl. **D24/128; D24/133; D24/138; 248/316.4**
- [58] **Field of Search** **D8/72, 71; 248/316.4, 248/231.4, 291, 160, 276, 288.5, 288.3; 128/4, 6, 7, 8; D24/138, 127, 128**

4,803,133	9/1989	Bonnell	248/288.3	X
4,867,404	9/1989	Harrington et al.	248/276	X
5,224,680	7/1993	Greenstein et al.	248/316.4	
5,284,130	2/1994	Ratliff	128/20	

Primary Examiner—A. Hugo Word
Assistant Examiner—I. Simmons
Attorney, Agent, or Firm—Charles I. Brodsky

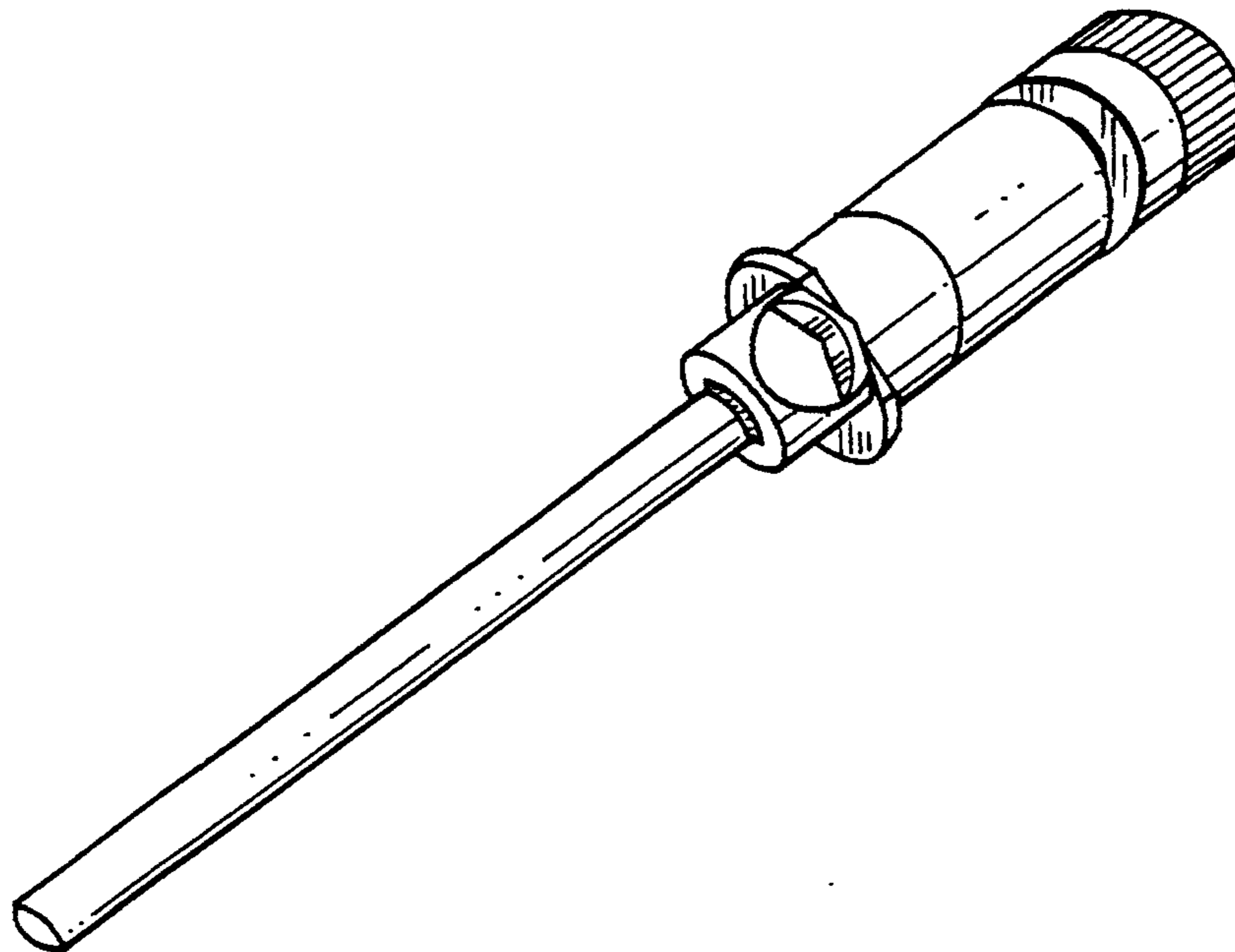
[57] **CLAIM**

The ornamental design for a quick-lock holder for laparoscopic instrument, as shown and described.

DESCRIPTION

FIG. 1 is a left-front perspective view of a quick-lock holder for laparoscopic instrument showing our new design, a right-front perspective view being a mirror image;
 FIG. 2 is a front elevational view, the rear elevational view being a mirror image;
 FIG. 3 is a top plan view, the bottom plan view being a mirror image;
 FIG. 4 is a left-side elevational view; and,
 FIG. 5 is a right-side elevational view.

- [56] **References Cited**
- U.S. PATENT DOCUMENTS**
- D. 272,849 2/1984 Bell et al. D24/138
- 4,606,522 8/1986 Heiletz D24/143 X



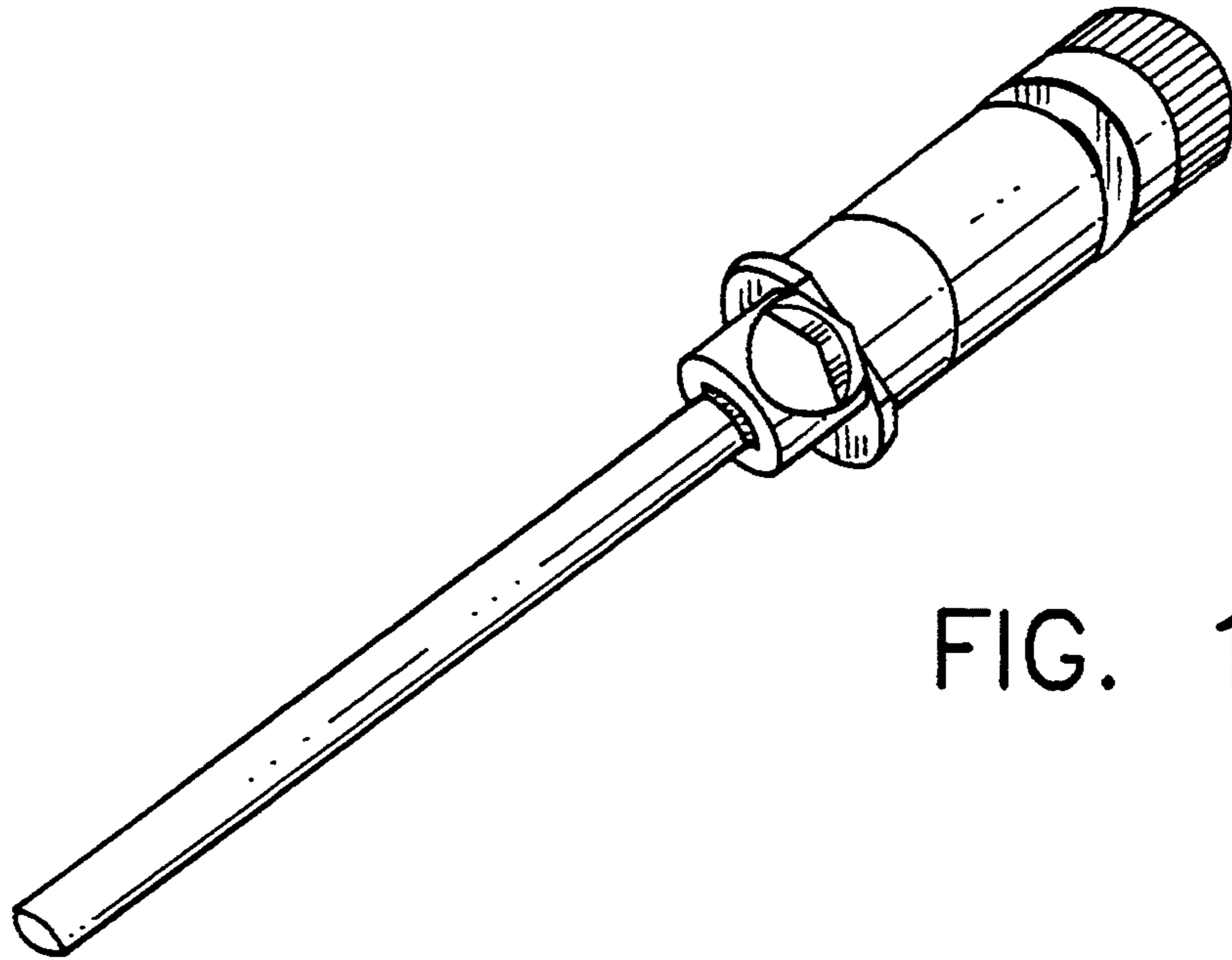


FIG. 1

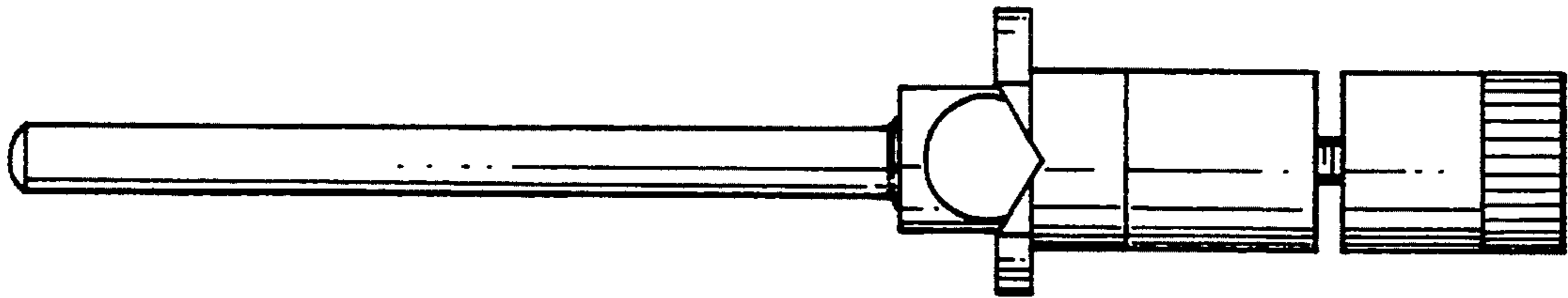


FIG. 2

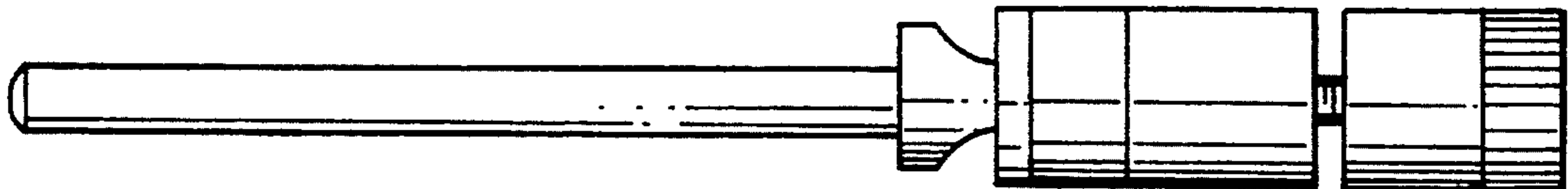


FIG. 3

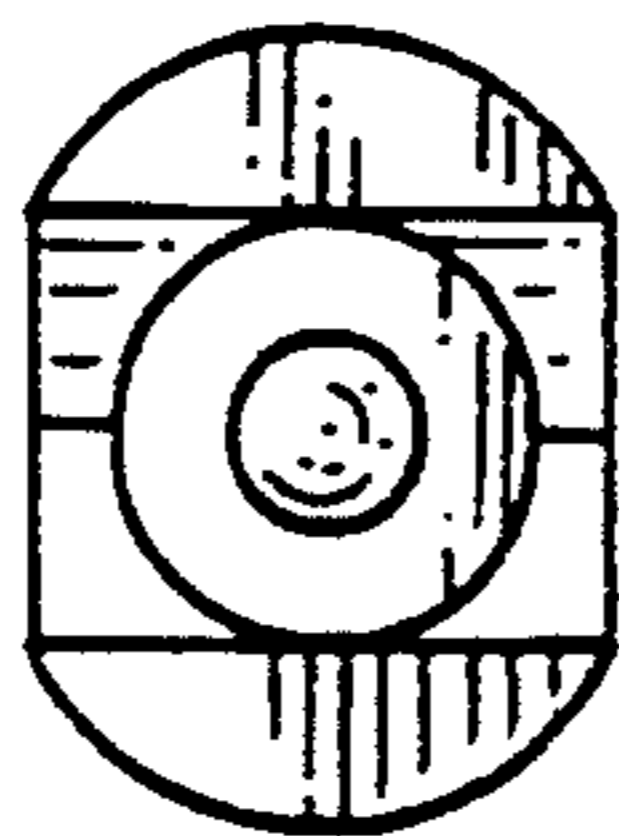


FIG. 4

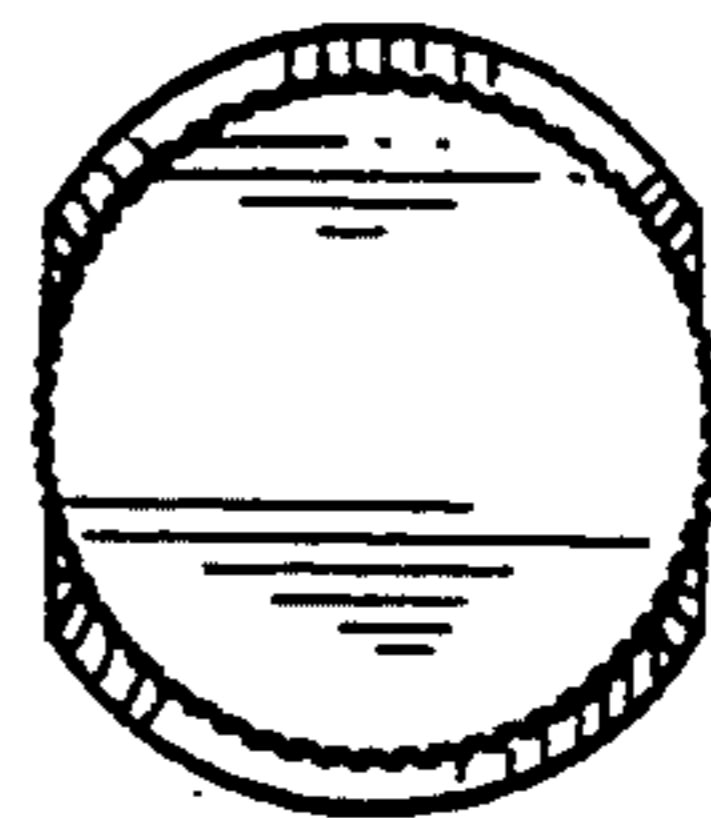


FIG. 5