



US00D349572S

# United States Patent [19]

Jagnandan et al.

[11] Patent Number: Des. 349,572

[45] Date of Patent: \*\* Aug. 9, 1994

[54] **AEROSOL INHALER**

[75] Inventors: **Indradat Jagnandan**, West Orange;  
**Kim C. Dao**, Wayne, both of N.J.

[73] Assignee: **Schering Corporation**, Kenilworth,  
N.J.

[\*\*] Term: **14 Years**

[21] Appl. No.: **2,501**

[22] Filed: **Dec. 10, 1992**

[52] U.S. Cl. .... **D24/110**

[58] Field of Search ..... 128/200.23, 200.21,  
128/200.14, 200.25, 203.15, 203.12, 202.17;  
D24/110

[56] **References Cited**

**U.S. PATENT DOCUMENTS**

D. 334,057 3/1993 Byram ..... D24/110  
4,576,157 3/1986 Raghaprasal ..... 128/200.23

**FOREIGN PATENT DOCUMENTS**

1185137 4/1985 Canada ..... 128/200.23

*Primary Examiner*—A. Hugo Word

*Assistant Examiner*—I. Simmons

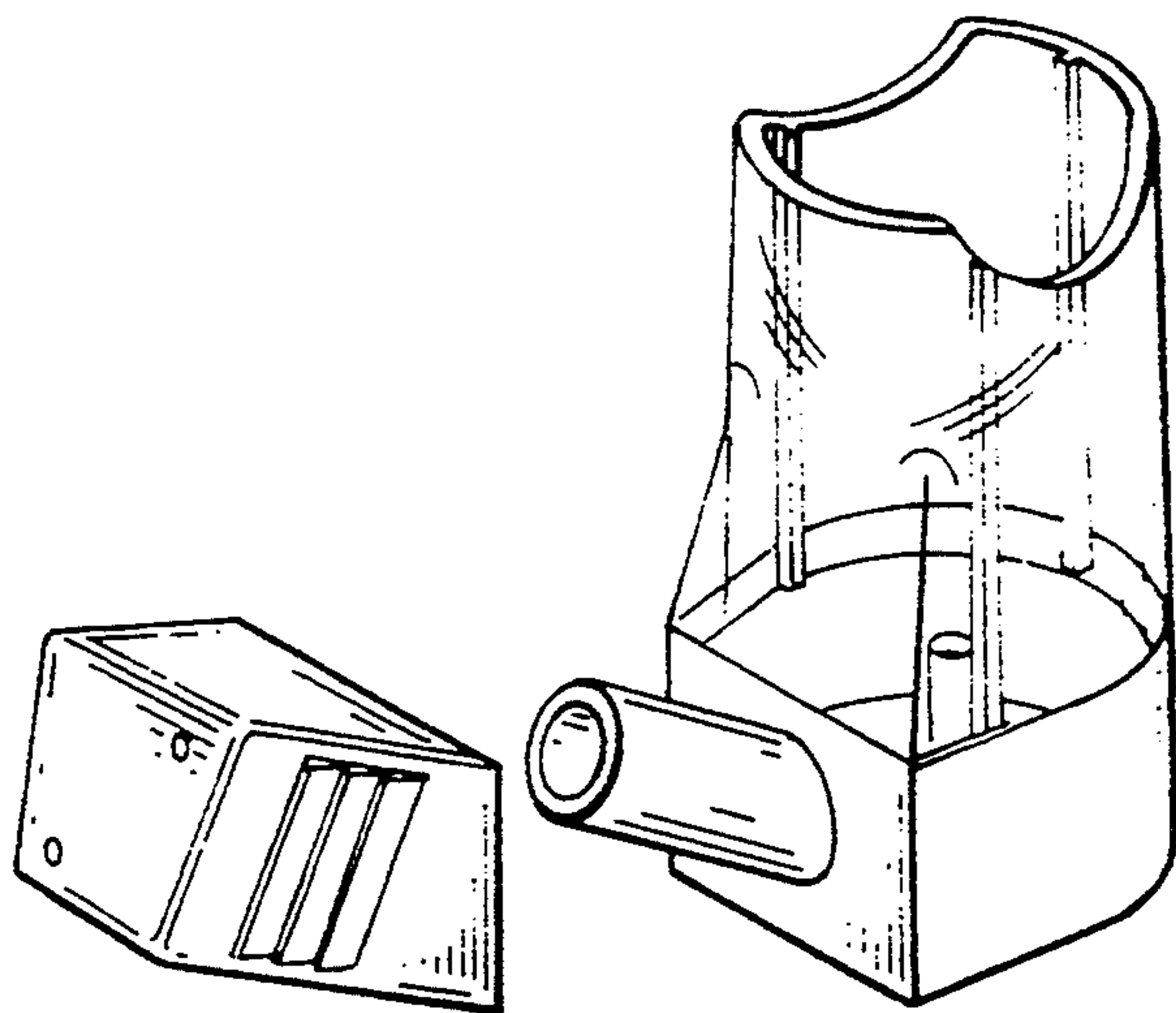
*Attorney, Agent, or Firm*—Eric S. Dicker; John J.  
Maitner; Robert A. Franks

[57] **CLAIM**

The ornamental design for an aerosol inhaler, as shown  
and described.

**DESCRIPTION**

FIG. 1 is a perspective view of an aerosol inhaler, showing our new design with the outlet cover installed; FIG. 2 is a front view of the inhaler of FIG. 1, FIG. 3 is a rear view of the inhaler of FIG. 2, the opposite side view being identical thereto; FIG. 4 is a side view of the inhaler of FIG. 2; FIG. 5 is a top view of the inhaler of FIG. 2; FIG. 6 is a bottom view of the inhaler of FIG. 1; FIG. 7 is a perspective view of the inhaler of FIG. 1, showing the outlet cover removed; FIG. 8 is a front view of the inhaler of FIG. 7; and, FIG. 9 is a side view of the inhaler of FIG. 8. The broken line showing of the aerosol canister in the FIGS. 2,3,4,5,8 and 9 is for illustrative purposes only and forms no part of the claimed design.



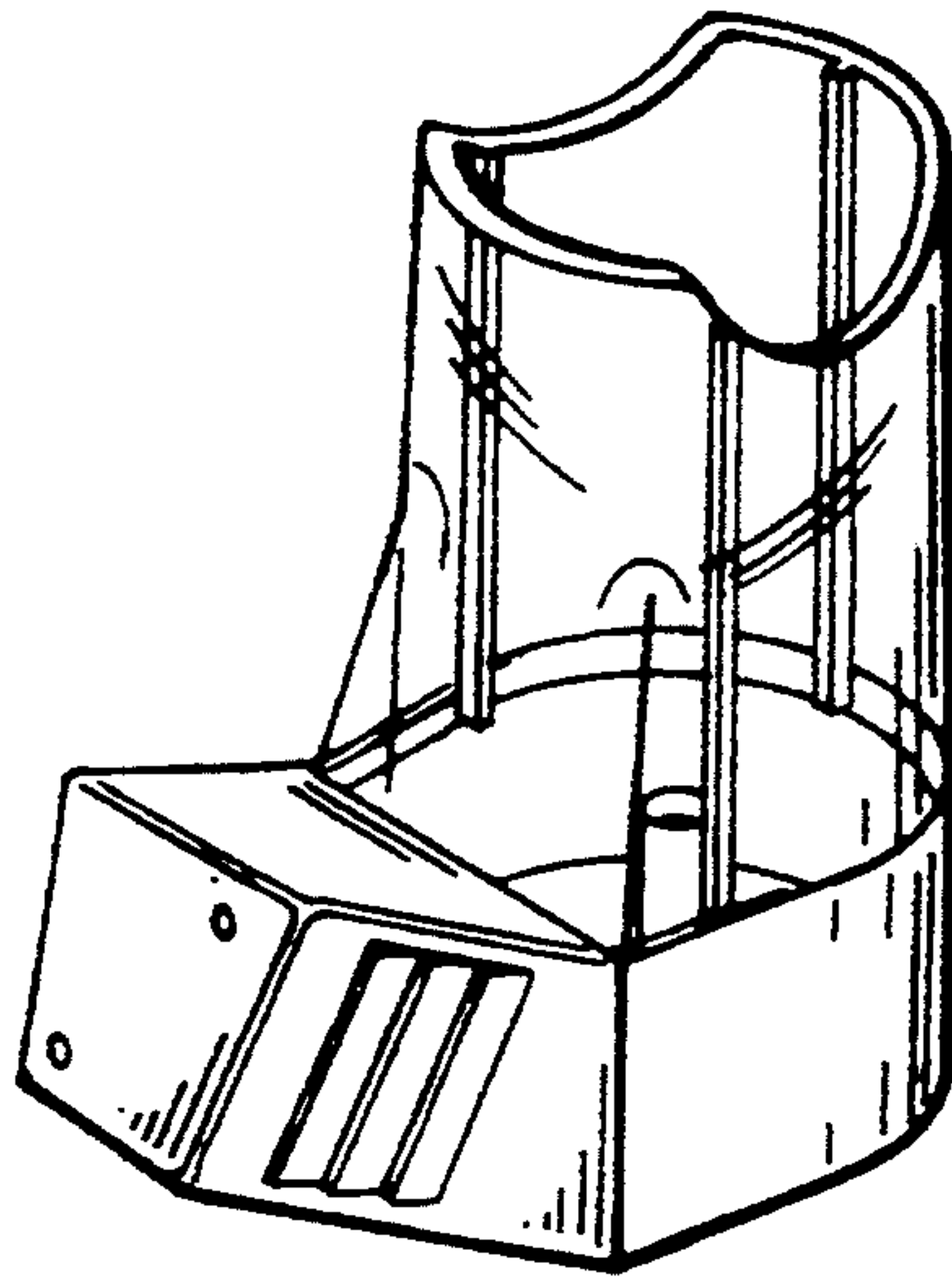


FIG. 1

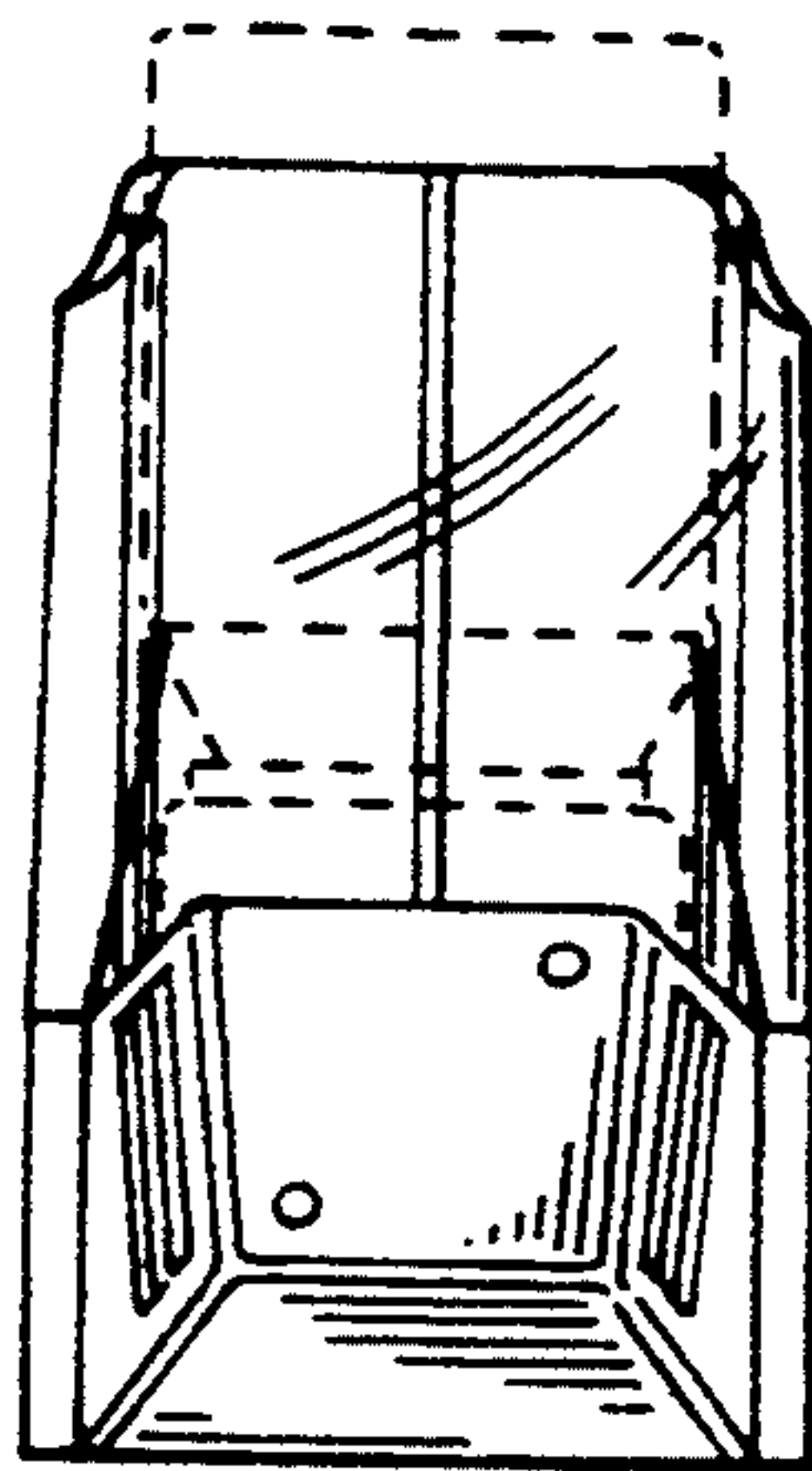


FIG. 2

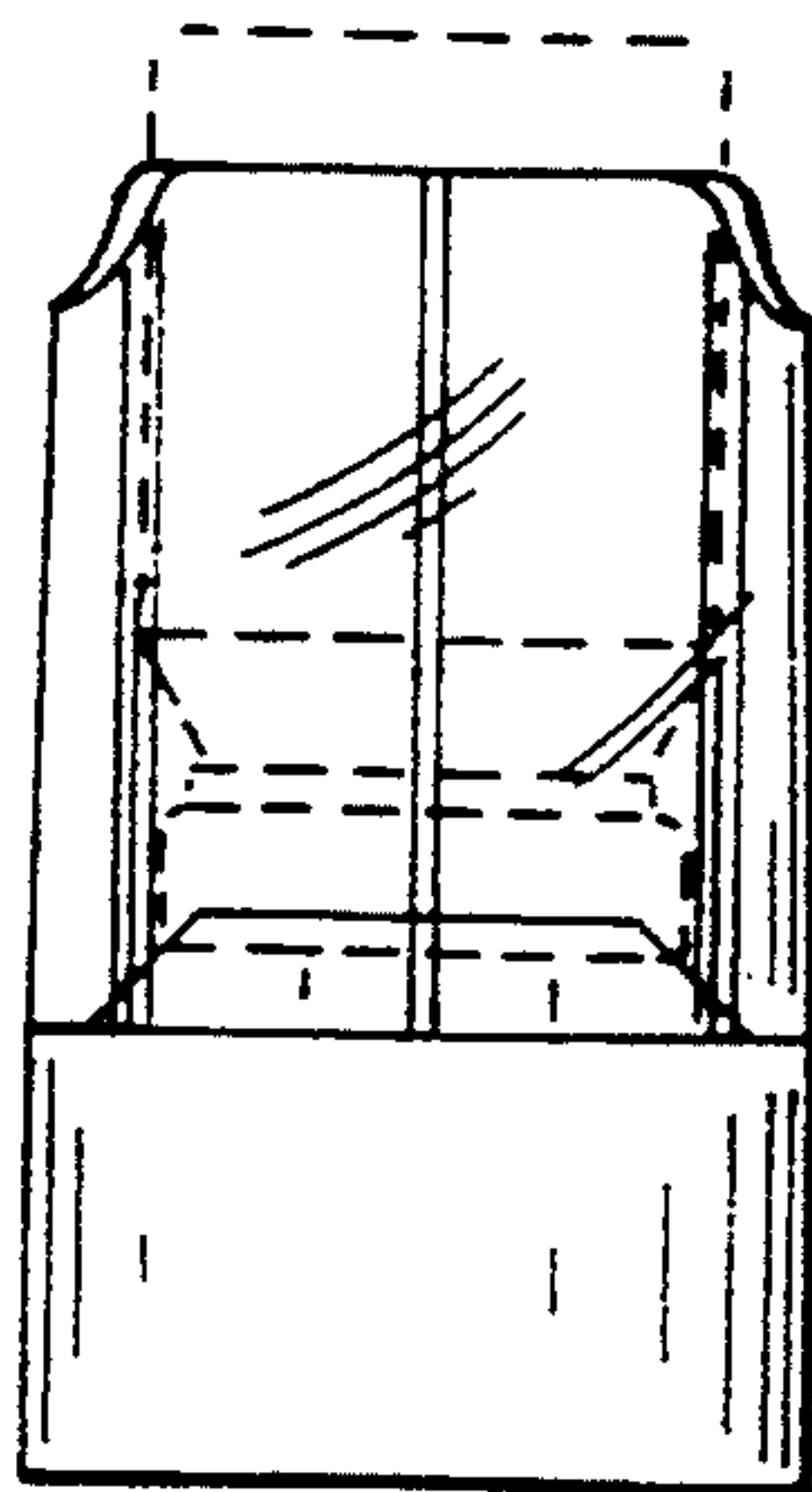
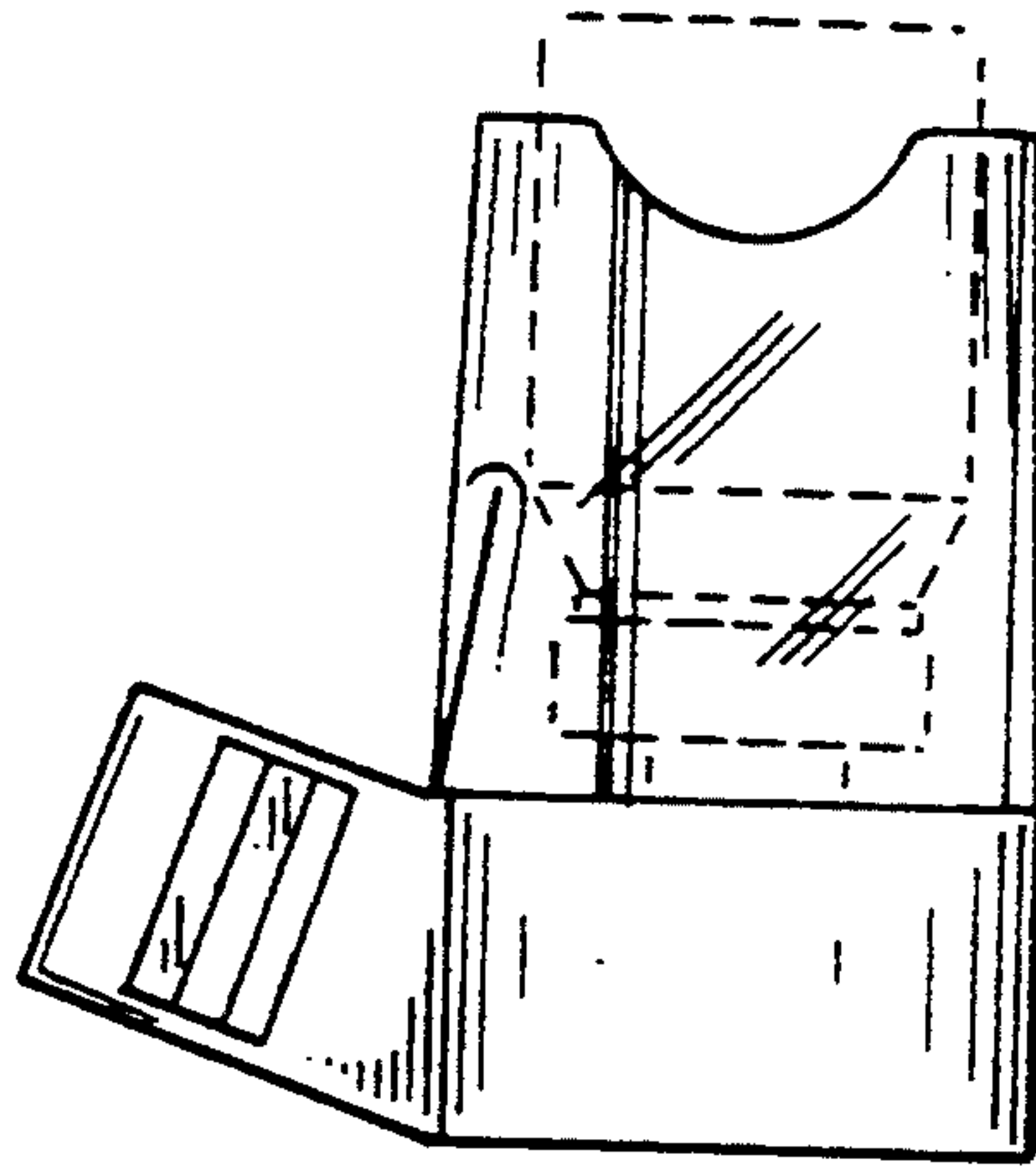
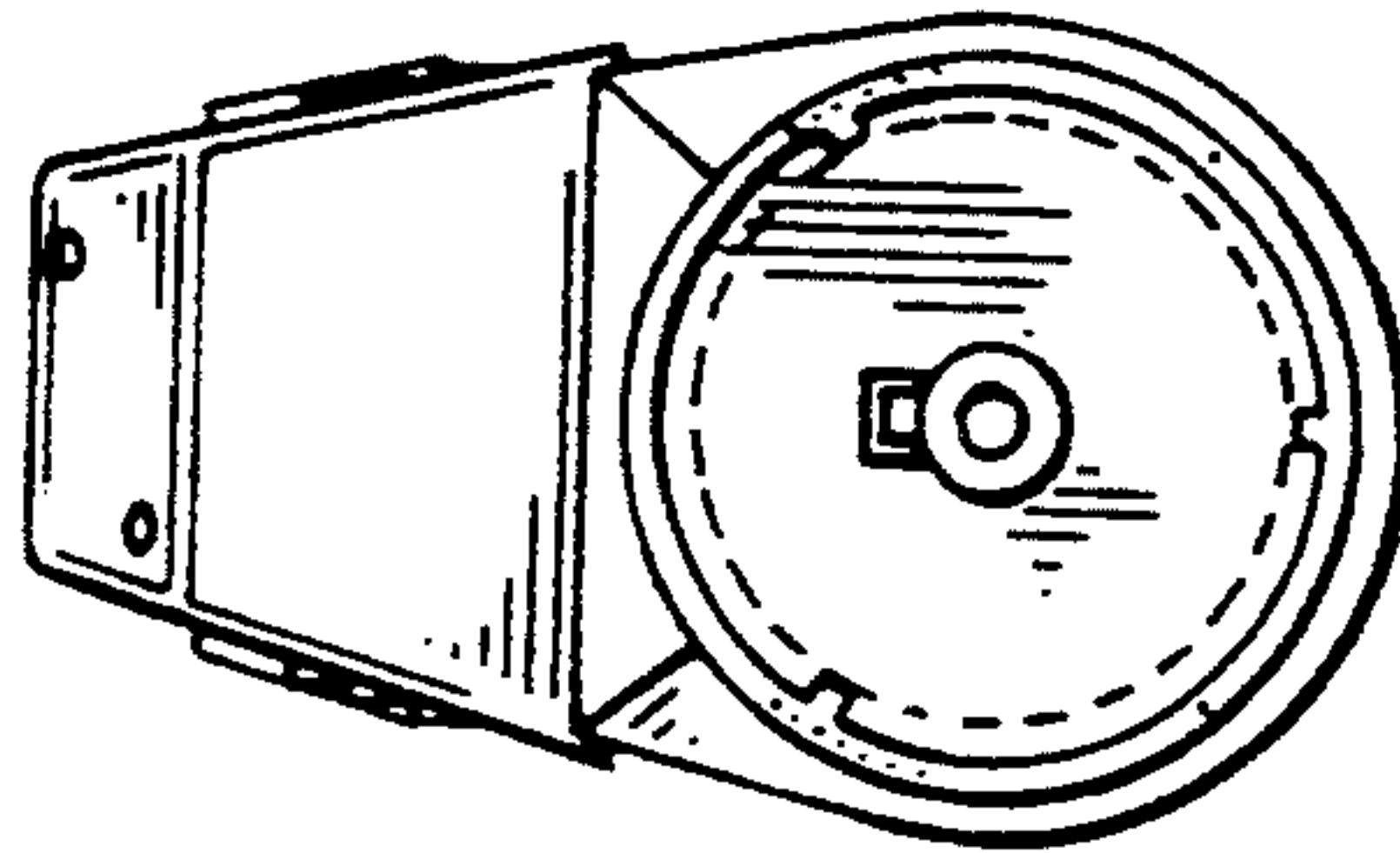


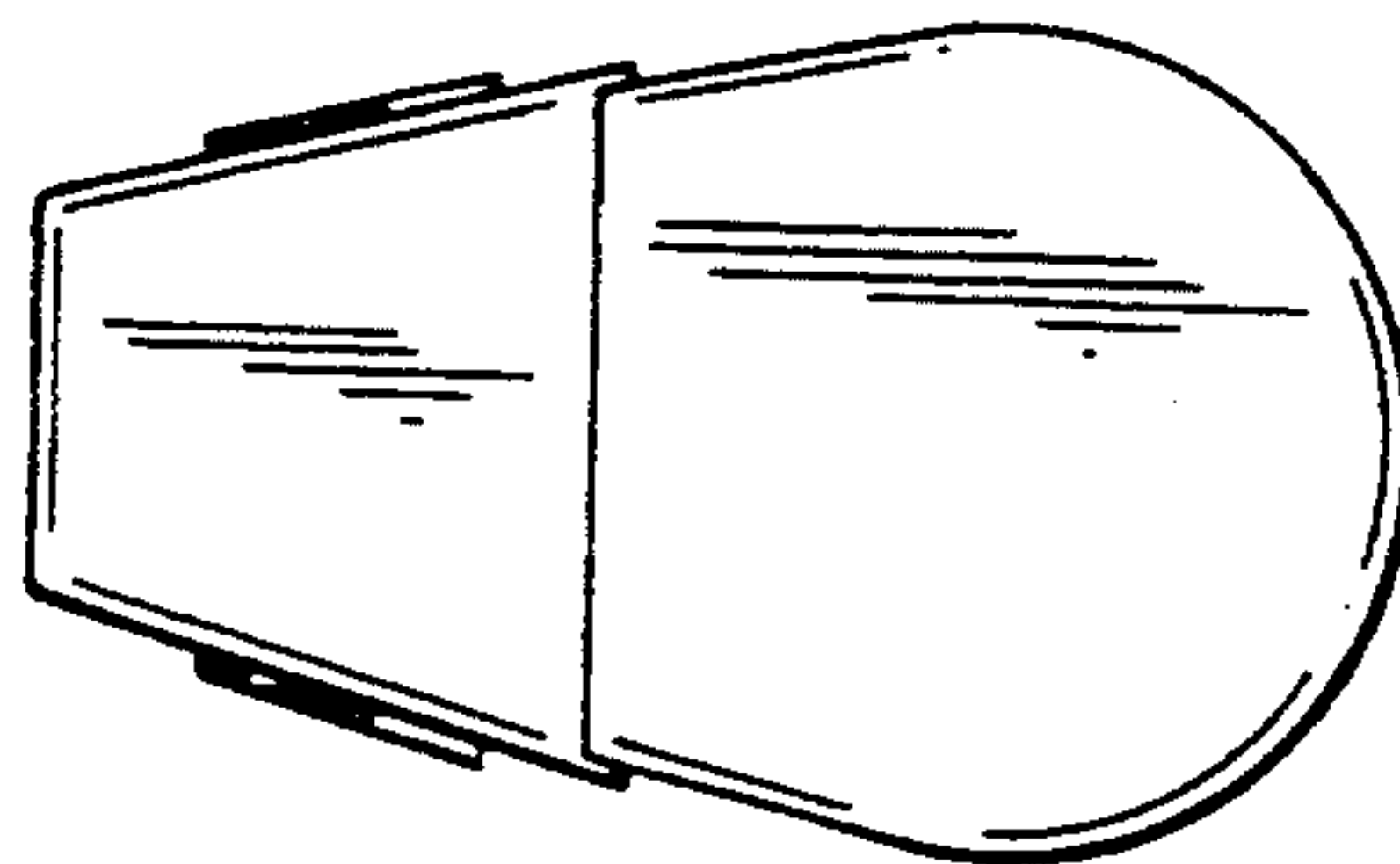
FIG. 3



*FIG. 4*



*FIG. 5*



*FIG. 6*

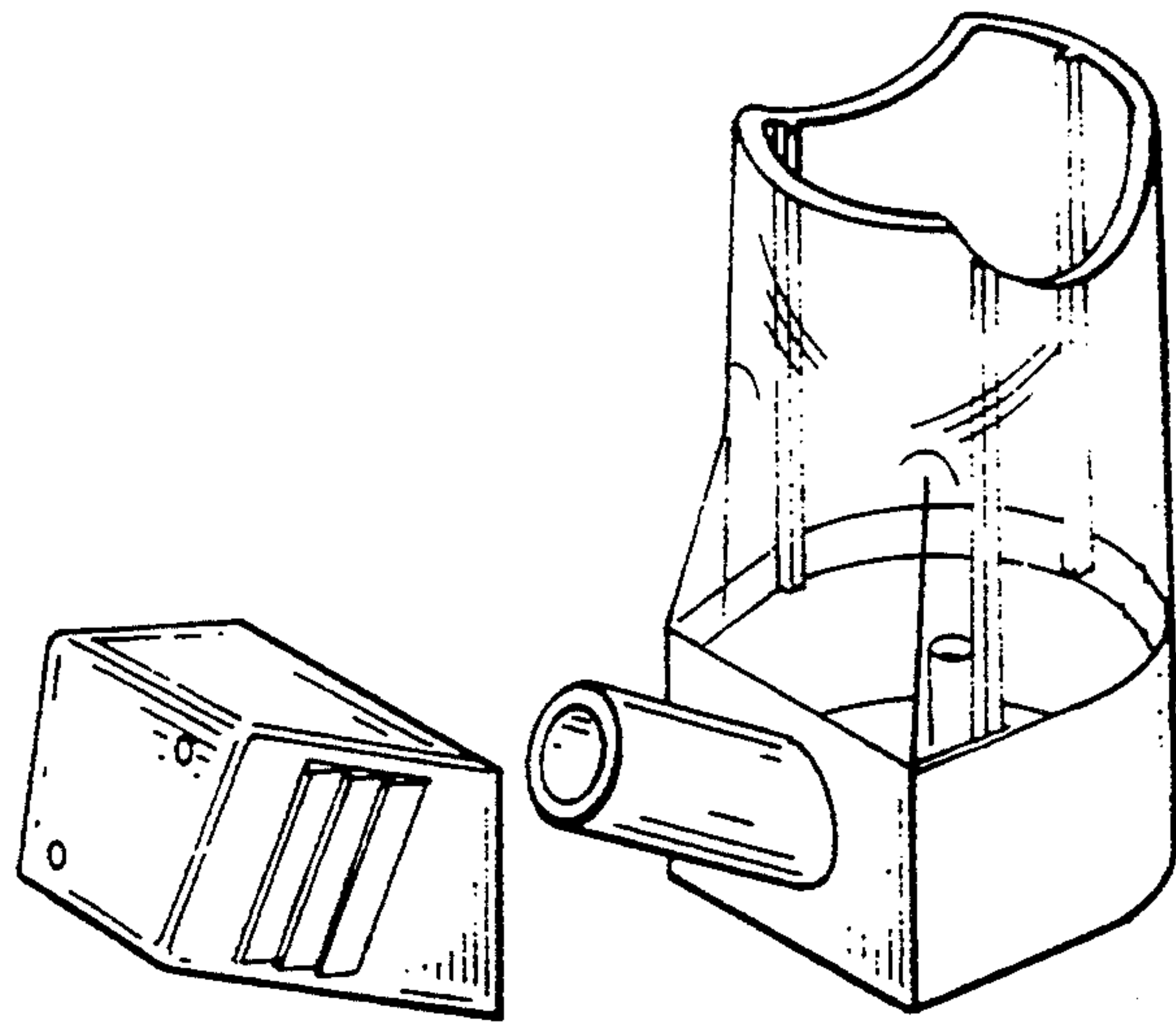


FIG. 7

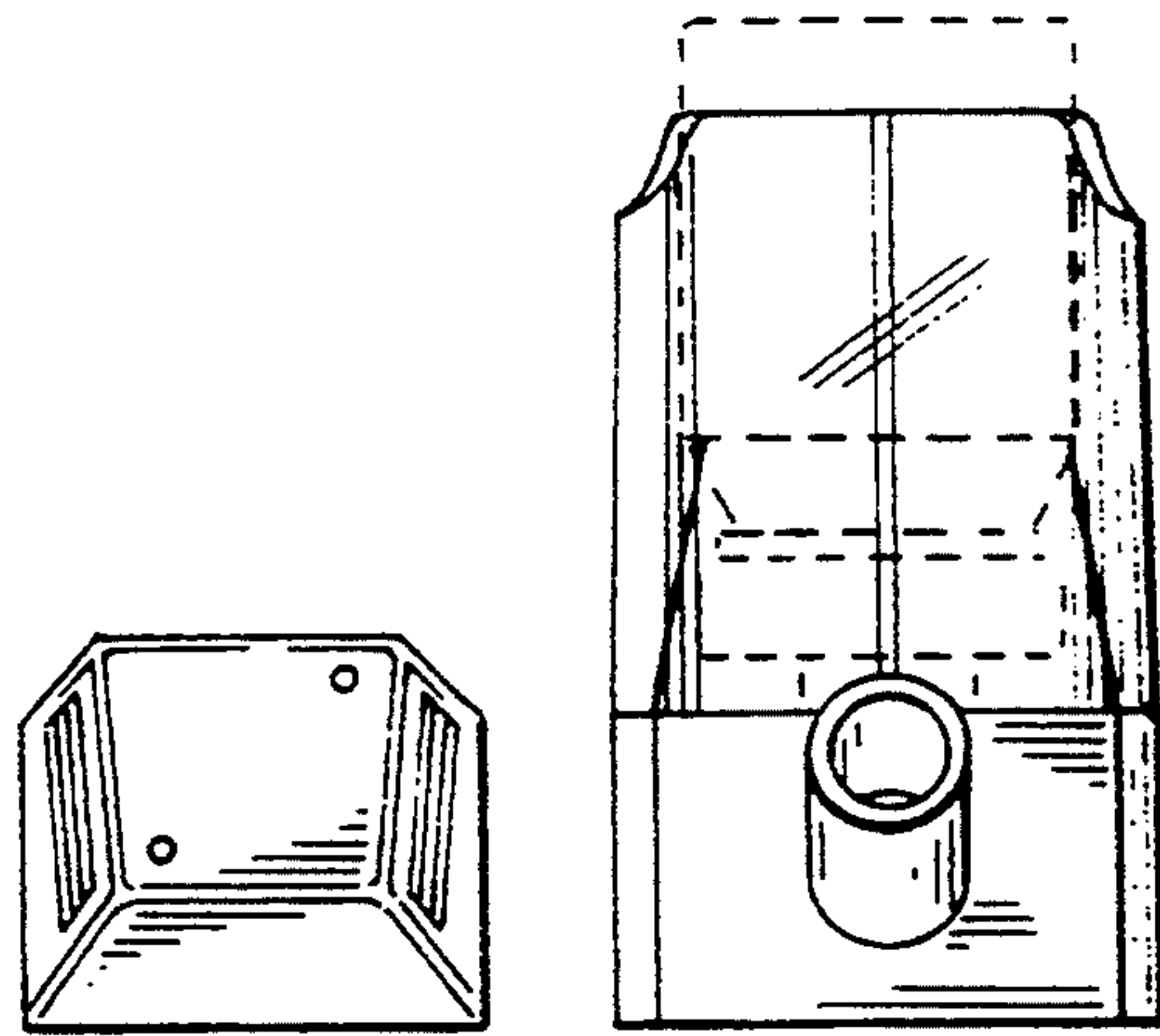


FIG. 8

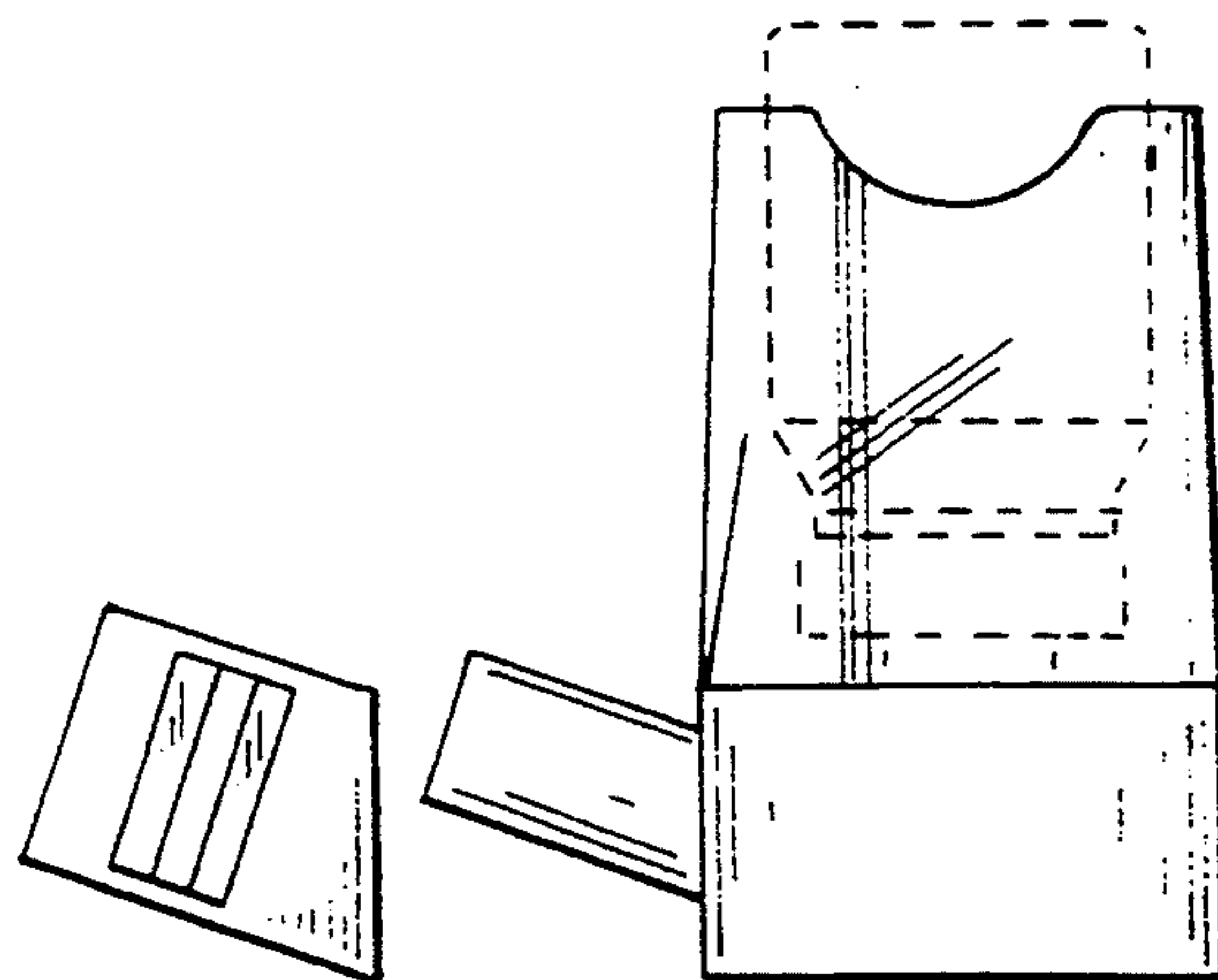


FIG. 9