



US00D349565S

# United States Patent [19]

[11] Patent Number: **Des. 349,565**

Burns et al.

[45] Date of Patent: **\*\* Aug. 9, 1994**

[54] **TOP COVER WITH DISCHARGE ORIFICE FOR THE OUTDOOR UNIT OF AN AIR CONDITIONING SPLIT SYSTEM**

*Primary Examiner*—Wallace R. Burke  
*Assistant Examiner*—Lisa Lichtenstein

[75] Inventors: **Larry D. Burns**, Danville; **Frederick J. Keller, Jr.**, Indianapolis, both of Ind.

[57] **CLAIM**

The ornamental design for a top cover with discharge orifice for the outdoor unit of an air conditioning split system, as shown and described.

[73] Assignee: **Carrier Corporation**, Syracuse, N.Y.

**DESCRIPTION**

[\*\*] Term: **14 Years**

FIG. 1 is a perspective view of a top cover with discharge orifice for the outdoor unit of an air conditioning split system, showing our new design;

[21] Appl. No.: **5,105**

FIG. 2 is a top plan view thereof;

[22] Filed: **Feb. 18, 1993**

FIG. 3 is a front elevation view thereof, of which the rear elevational view is a mirror image;

[52] U.S. Cl. .... **D23/354; D23/351**

FIG. 4 is a bottom plan view thereof;

[58] Field of Search ..... 165/125, 122; 62/507, 62/428; D23/351, 354

FIG. 5 is a right side elevational view thereof; and,

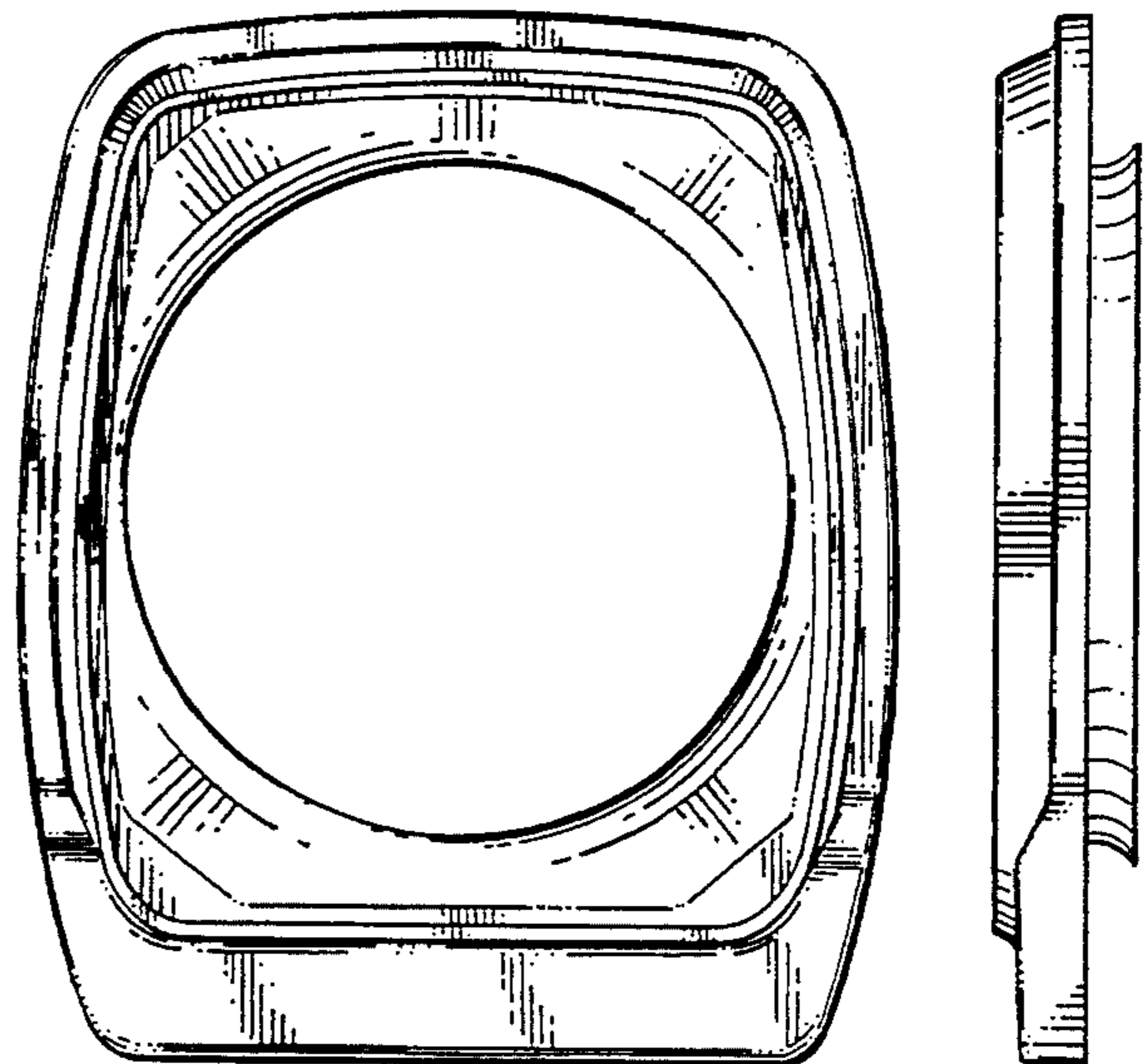
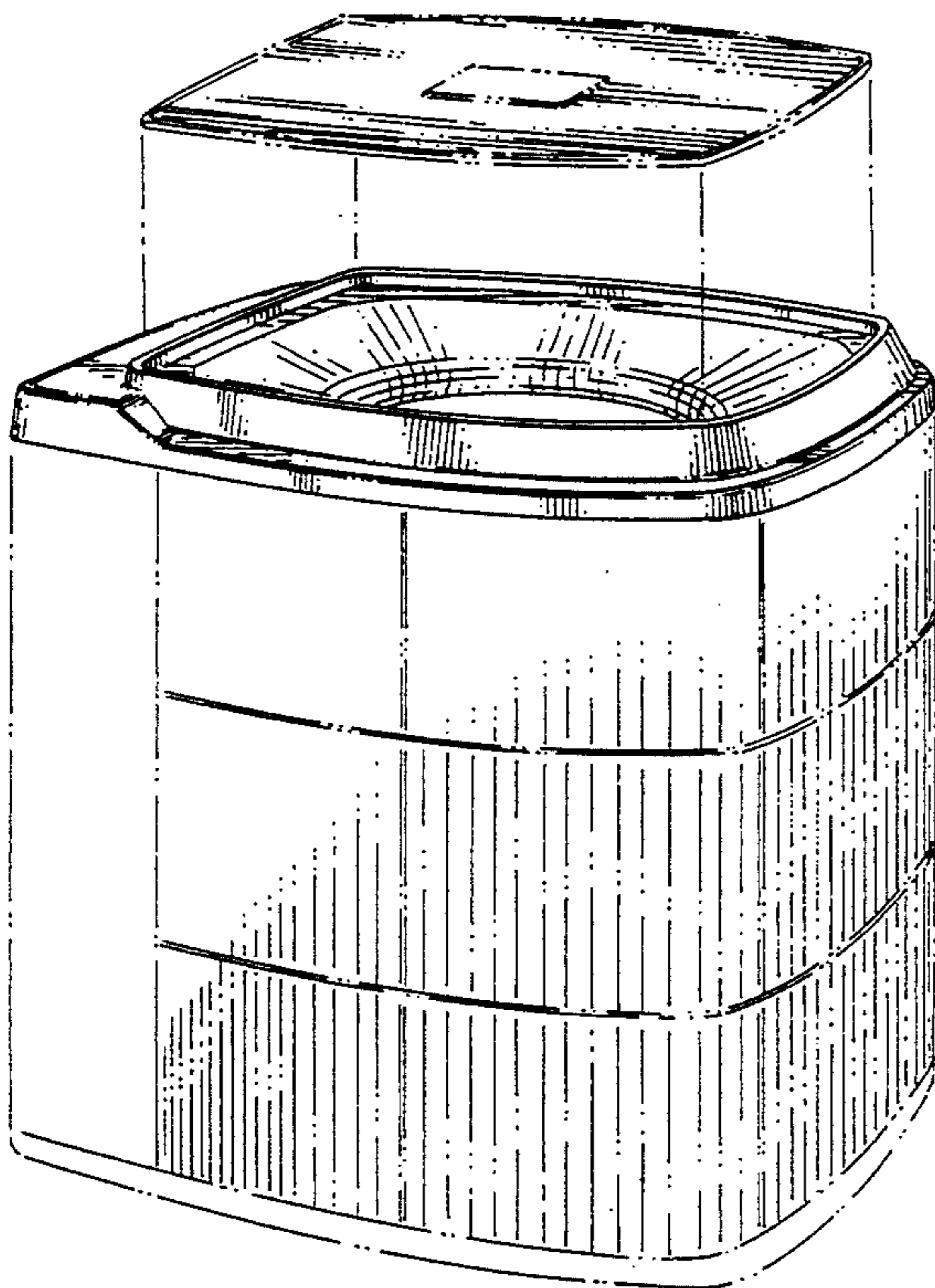
FIG. 6 is a left side elevational view thereof.

[56] **References Cited**

**U.S. PATENT DOCUMENTS**

5,066,194	11/1991	Amr et al. ....	165/125
5,131,463	7/1992	Zimmerli et al. ....	165/125

The broken-line showing of a condensing unit and grate, in FIG. 1, is for illustrative purposes only, and forms no part of the claimed design.



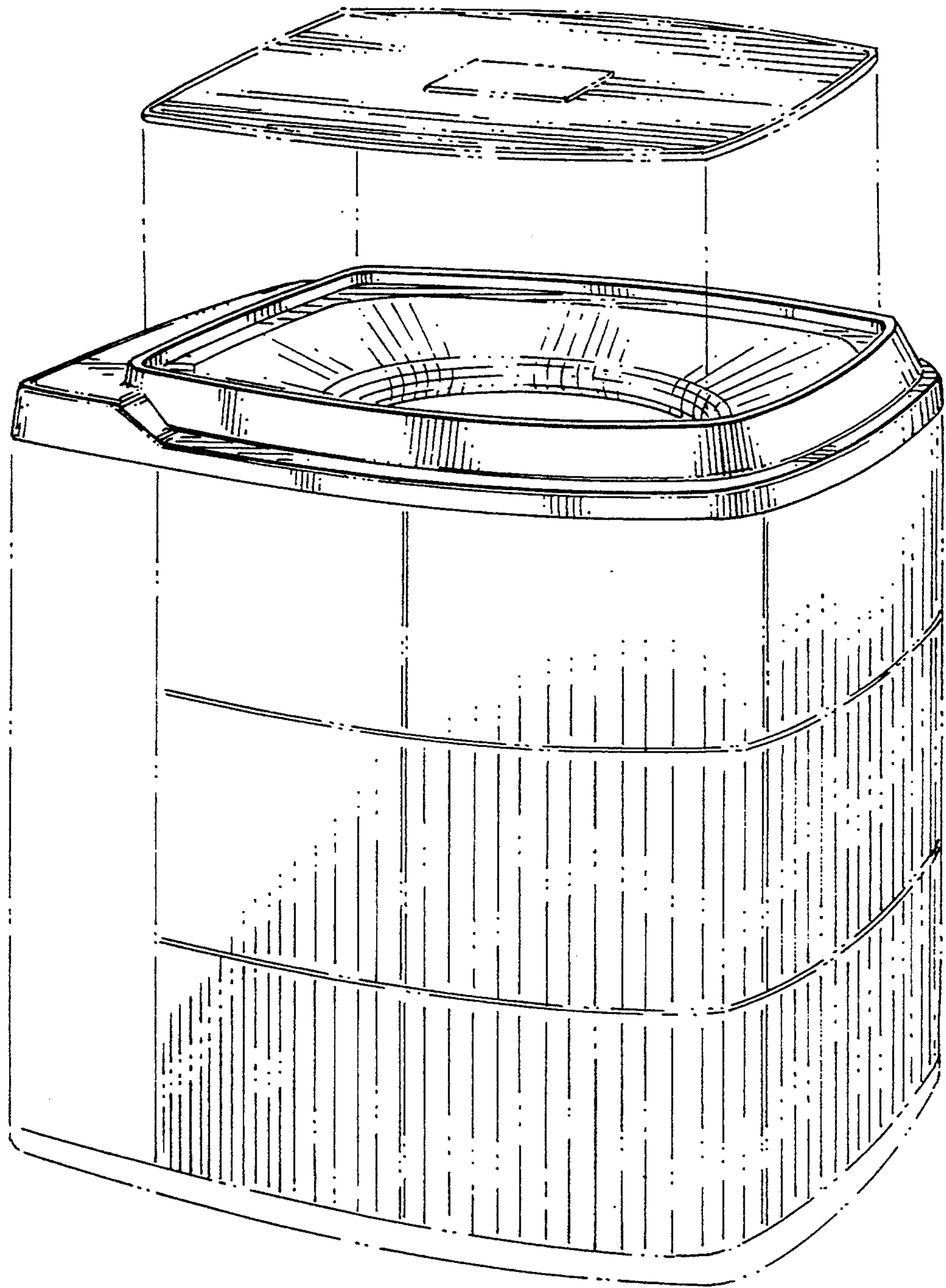


FIG. 1

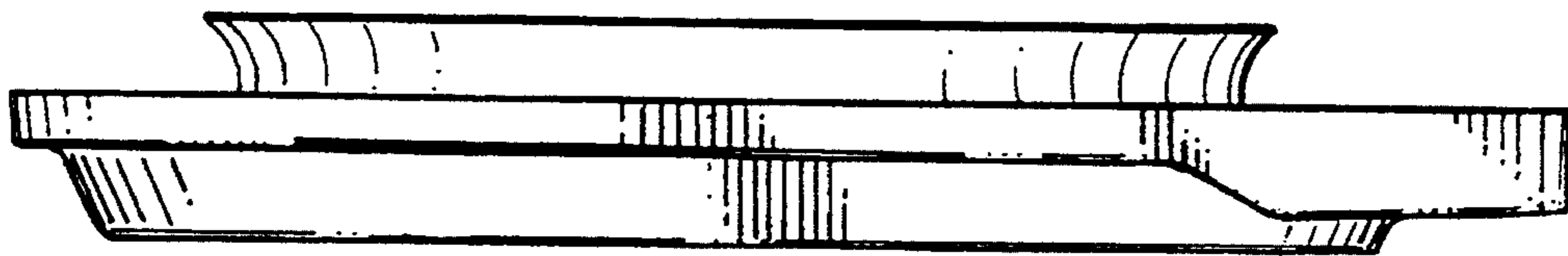


FIG. 3

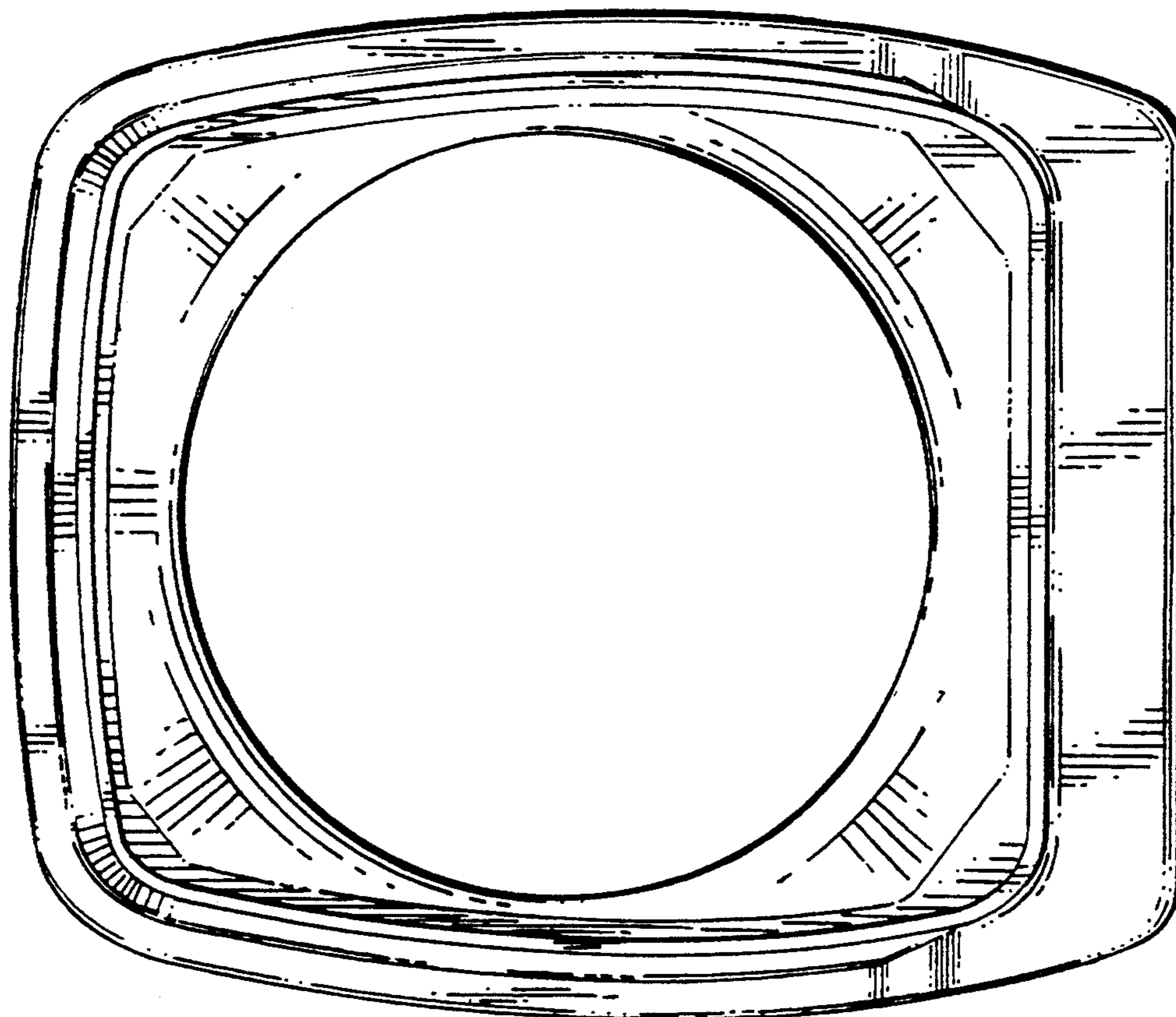


FIG. 2

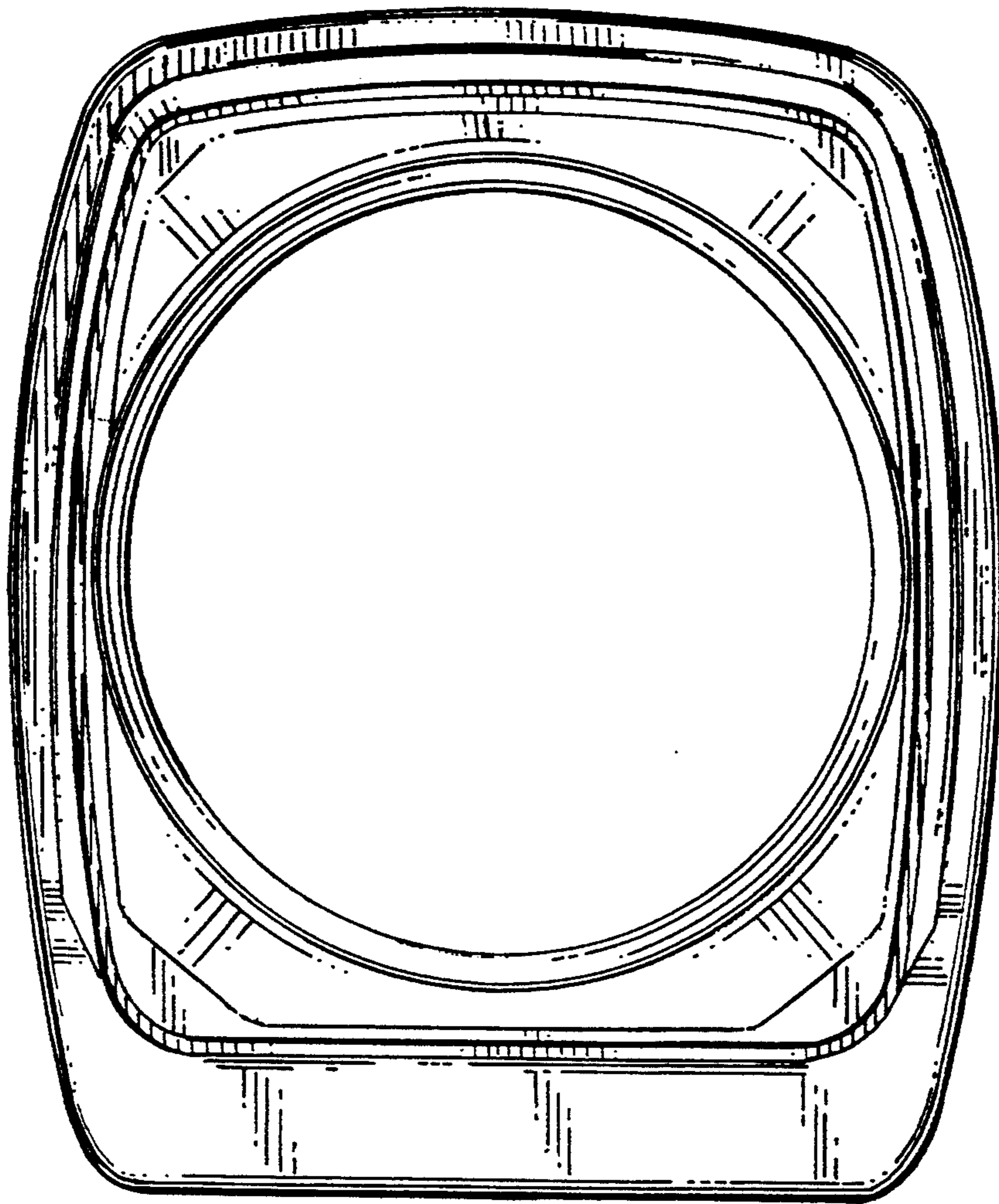


FIG. 4

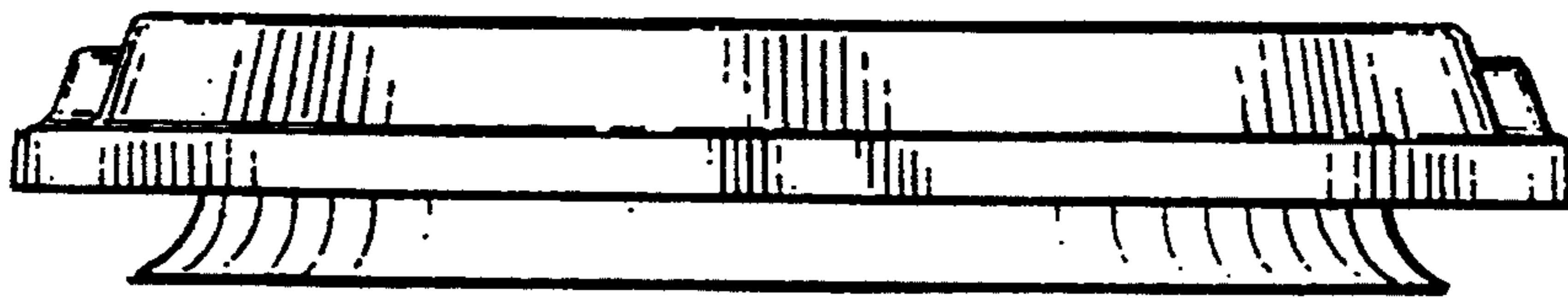


FIG. 5

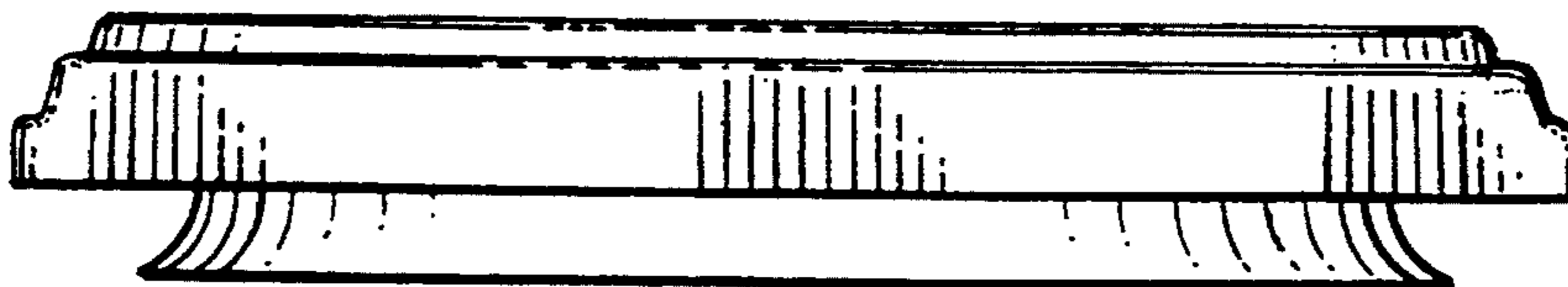


FIG. 6