



US00D349563S

United States Patent [19]

[11] Patent Number: **Des. 349,563**

Henszey et al.

[45] Date of Patent: **** Aug. 9, 1994**

[54] **STEAM SAMPLE COOLER**

[75] Inventors: **Richard R. Henszey**, Oconomowoc;
Eugene R. Rommelfaenger, Neosho,
both of Wis.

[73] Assignee: **Sentry Equipment Corp.**,
Oconomowoc, Wis.

[**] Term: **14 Years**

[21] Appl. No.: **860,358**

[22] Filed: **Mar. 30, 1992**

[52] U.S. Cl. **D23/314; D23/386**

[58] Field of Search **165/73, 74; D23/314,
D23/386**

[56] **References Cited**

U.S. PATENT DOCUMENTS

4,768,580 9/1988 Ferguson 165/74

OTHER PUBLICATIONS

Sample Cooler, shown in the Sentry FB Series Sample

Cooler Bulletin, published prior to Mar. 1992, submitted by applicant in his Information Disclosure Statement.

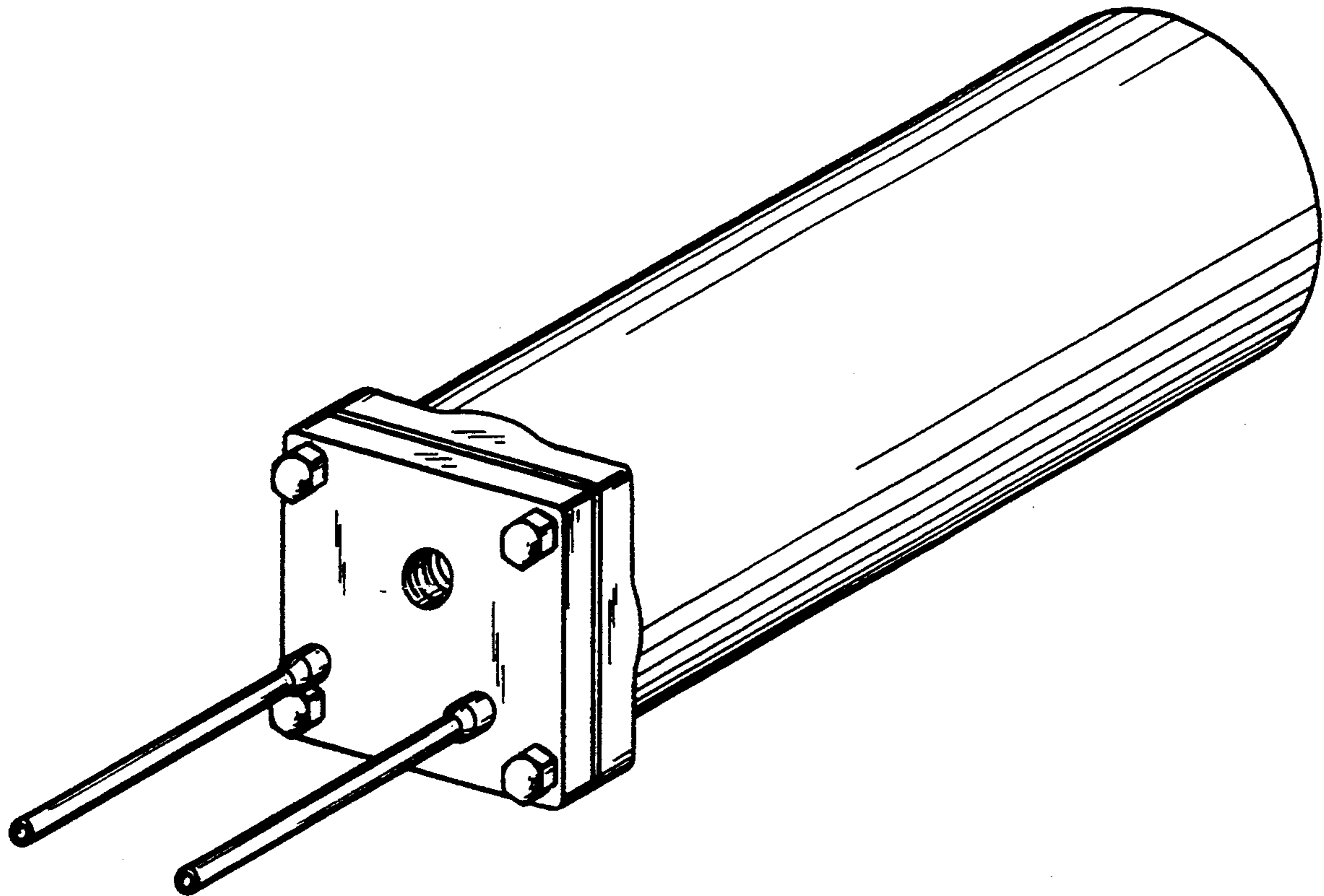
Primary Examiner—Wallace R. Burke
Assistant Examiner—Lisa Lichtenstein
Attorney, Agent, or Firm—Nilles & Nilles

[57] **CLAIM**

The ornamental design for a steam sample cooler, as shown and described.

DESCRIPTION

FIG. 1 is a side view of a steam sample cooler showing our new design;
FIG. 2 is a top view of the cooler;
FIG. 3 is a bottom view of the cooler;
FIG. 4 is a front view of the cooler;
FIG. 5 is a side view of the cooler opposite of FIG. 1;
FIG. 6 is a perspective view of the cooler; and,
FIG. 7 is a top view of a steam sample cooler showing a second embodiment of our new design, the sole difference from the first embodiment resides in the appearance of the top plate.



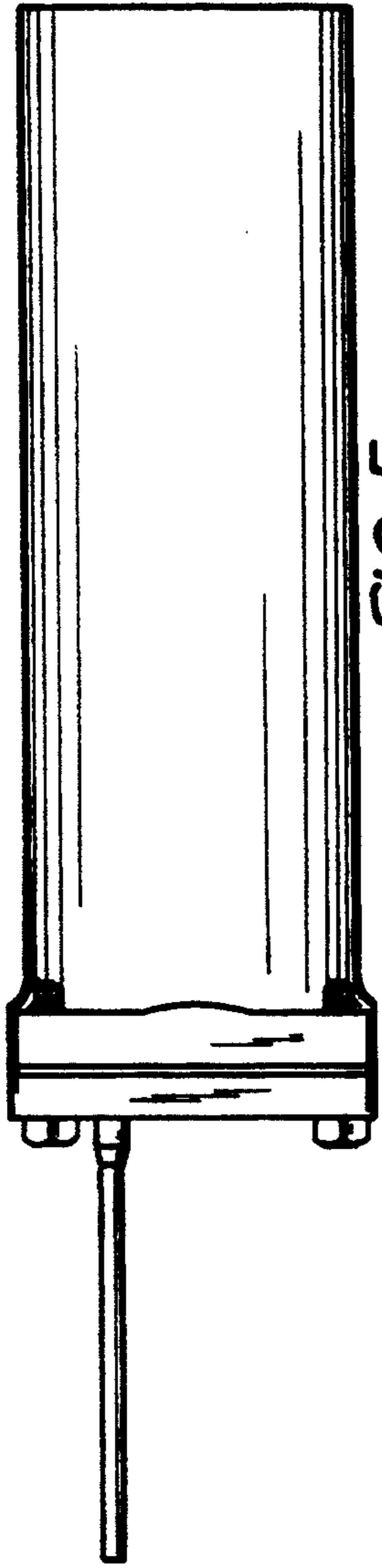


FIG. 1

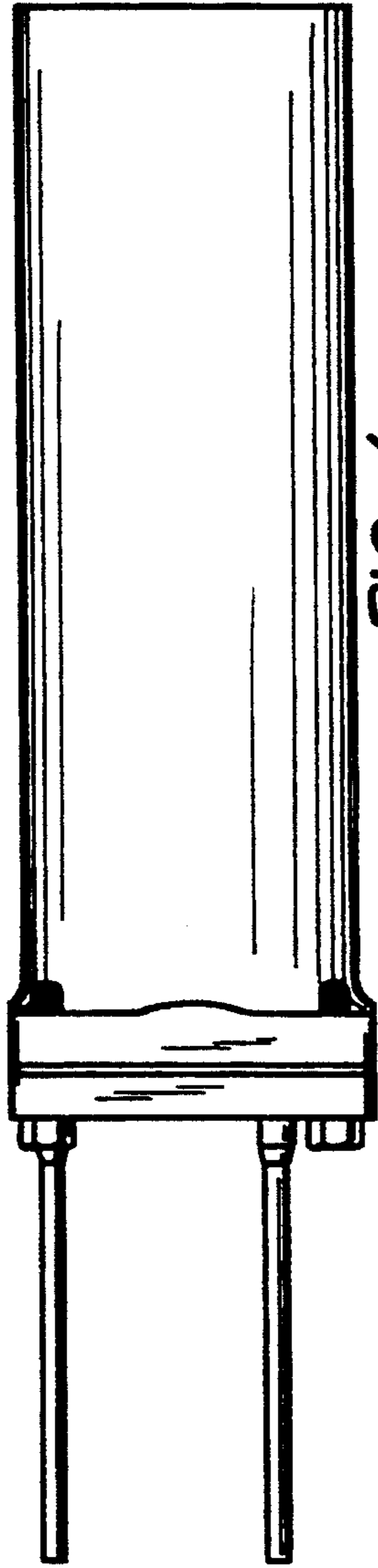


FIG. 2

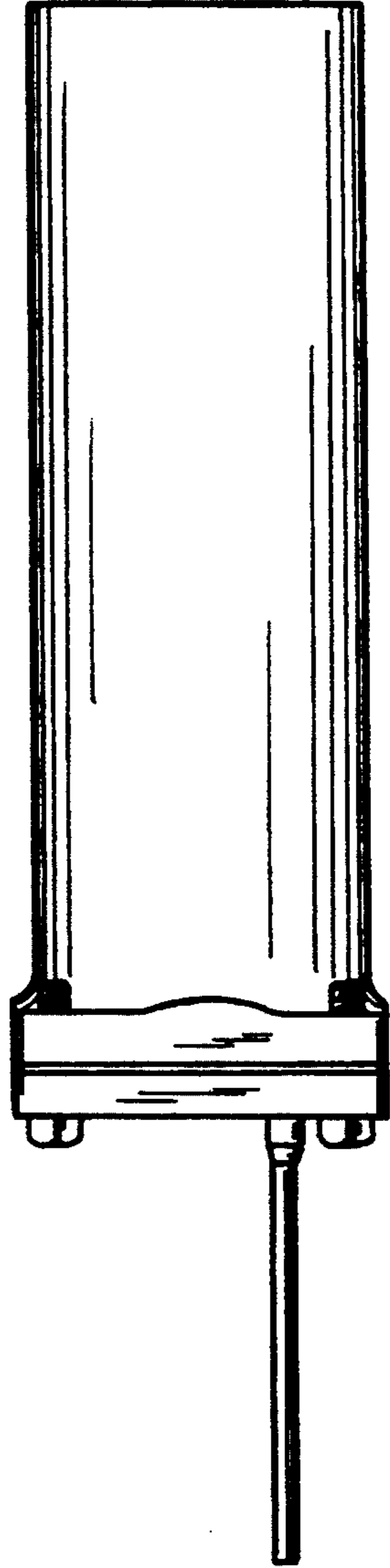


FIG. 3

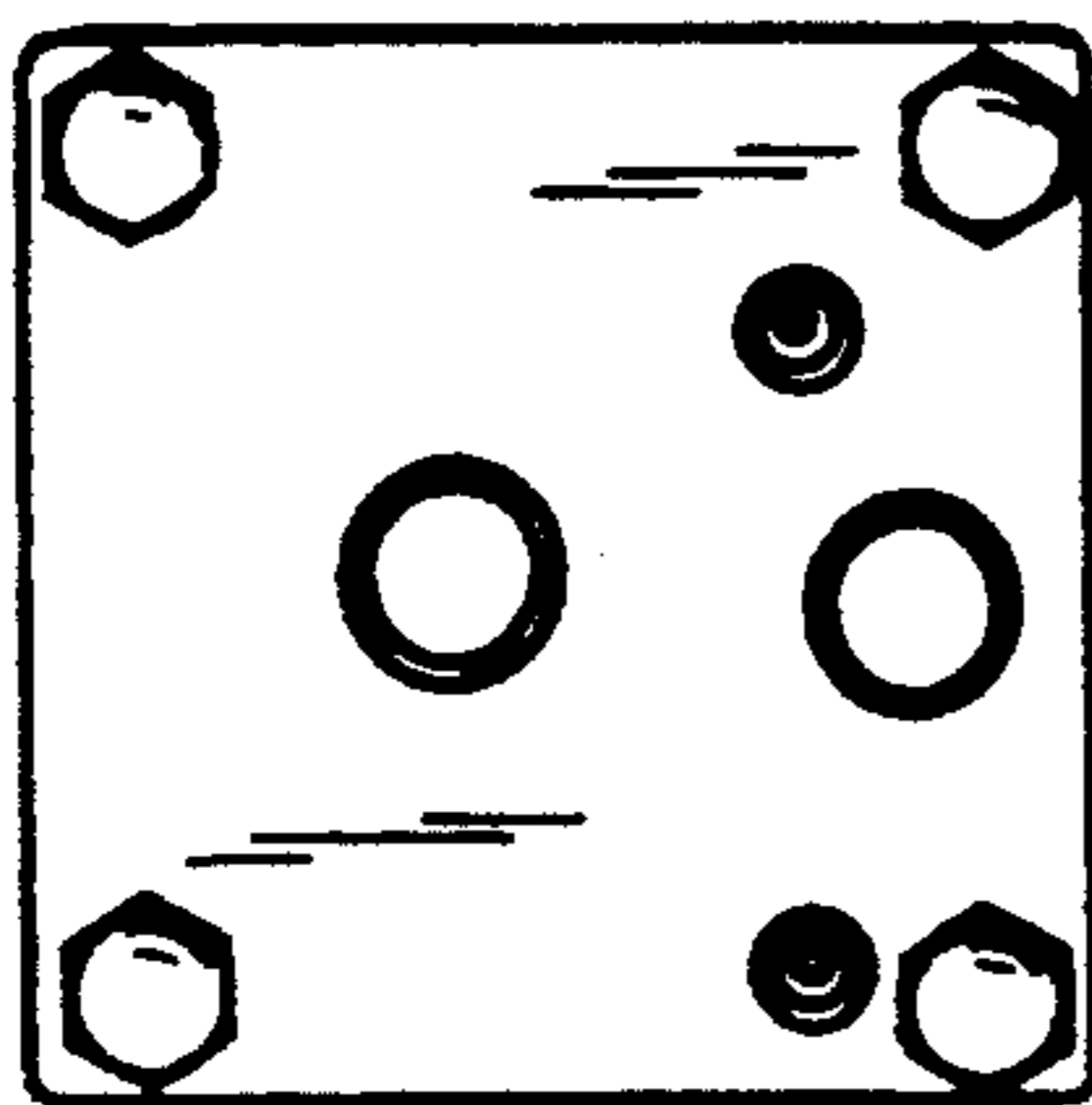


FIG. 4

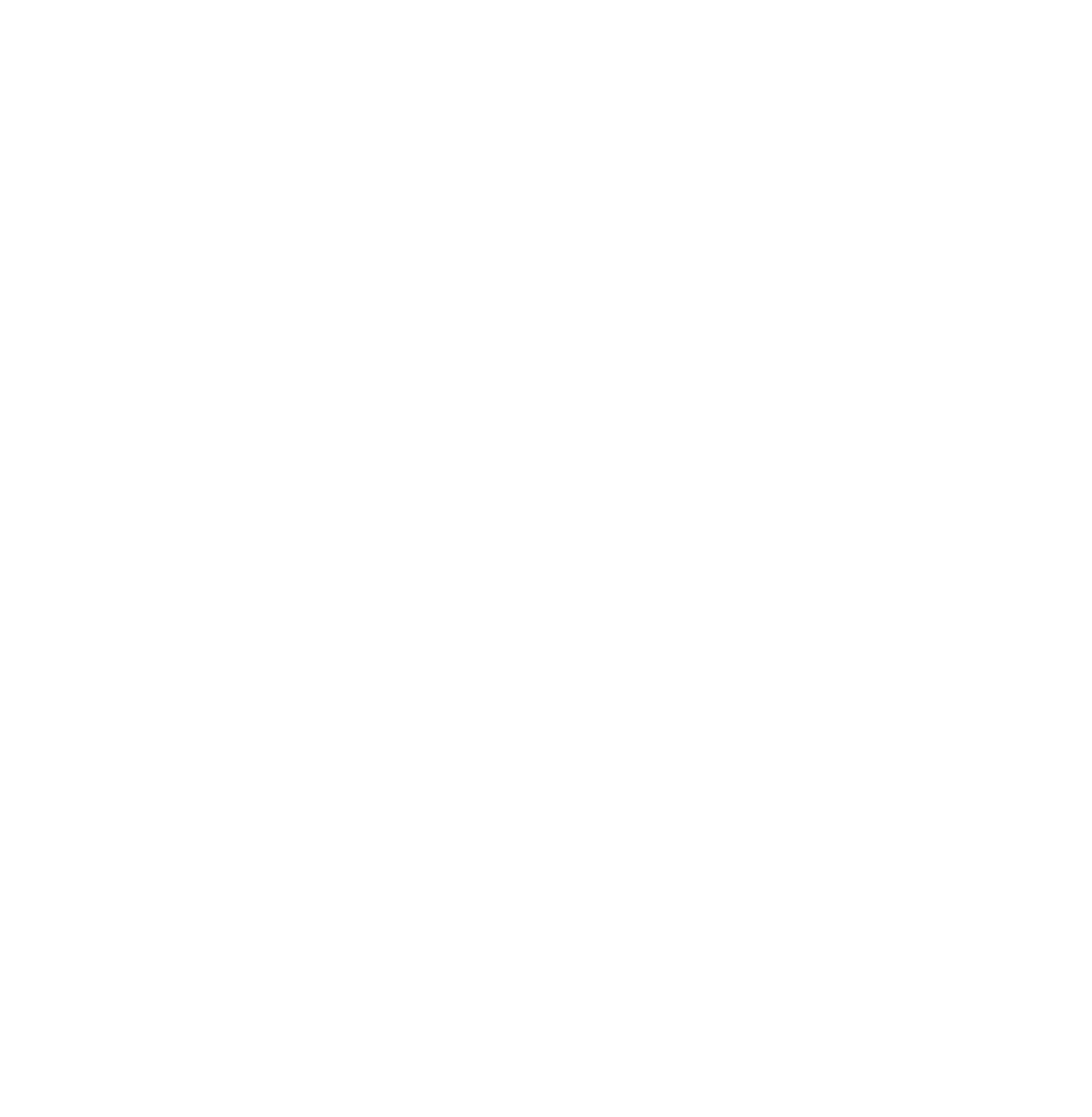


FIG. 5

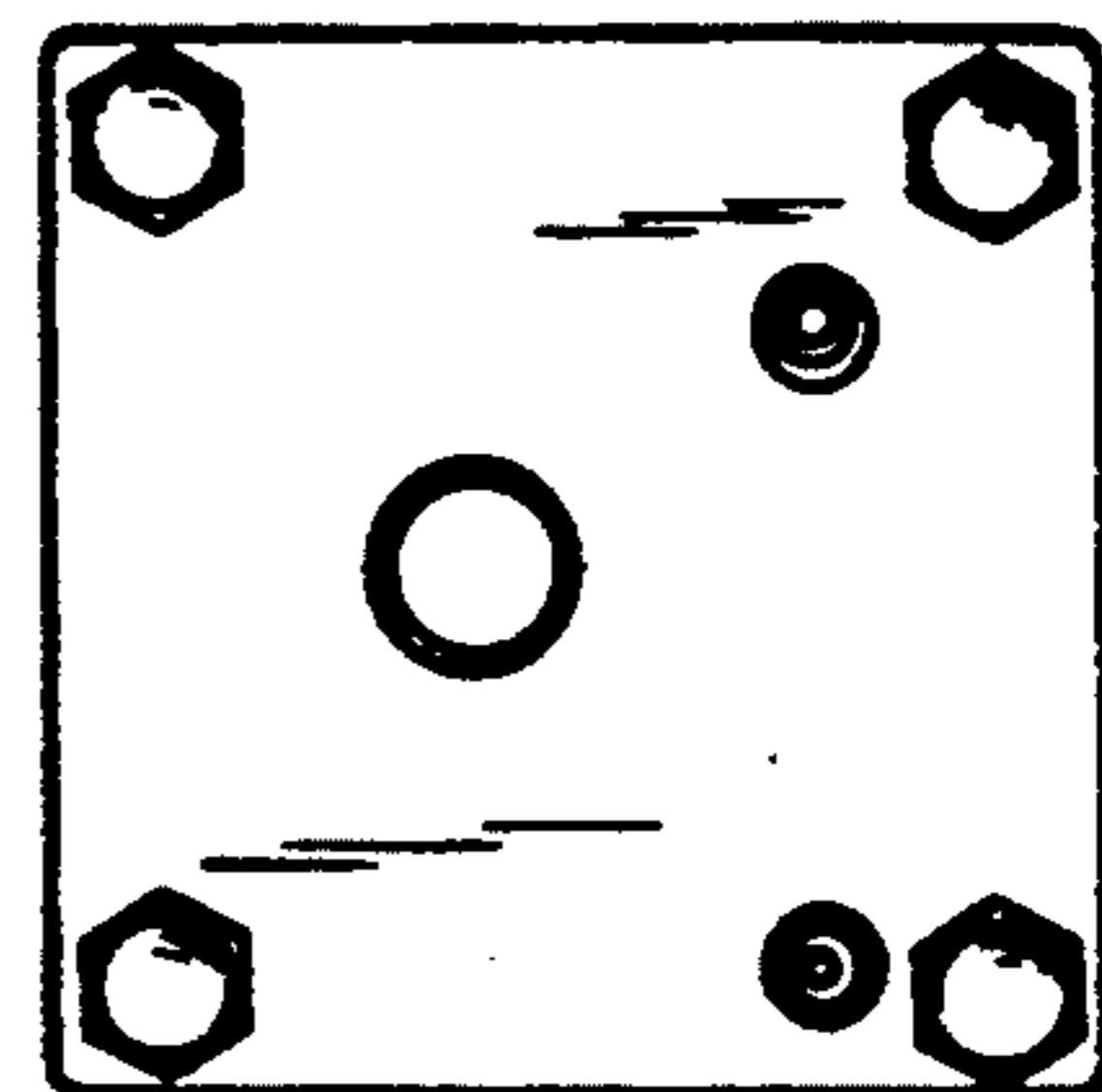


FIG. 6

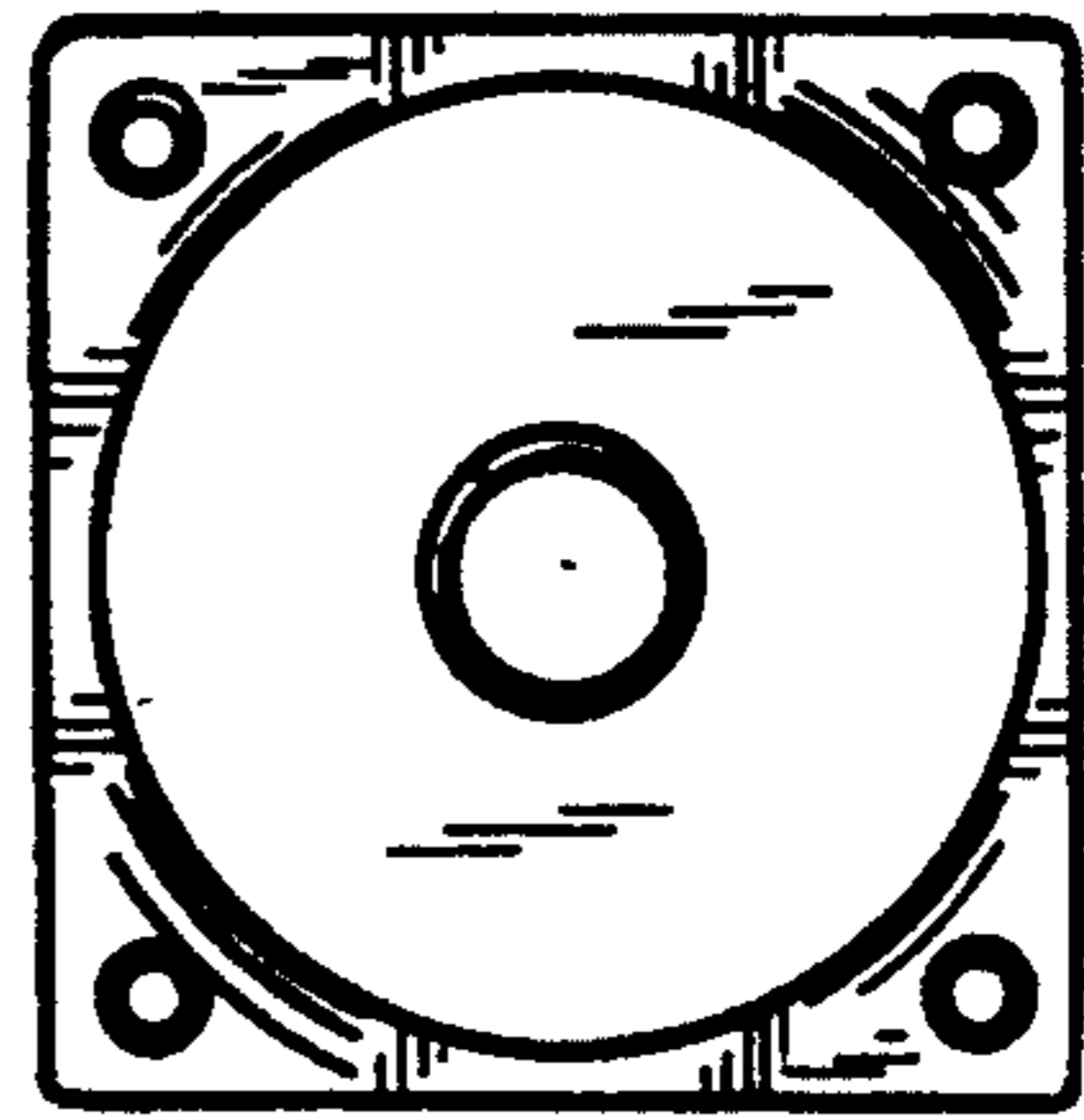


FIG. 7

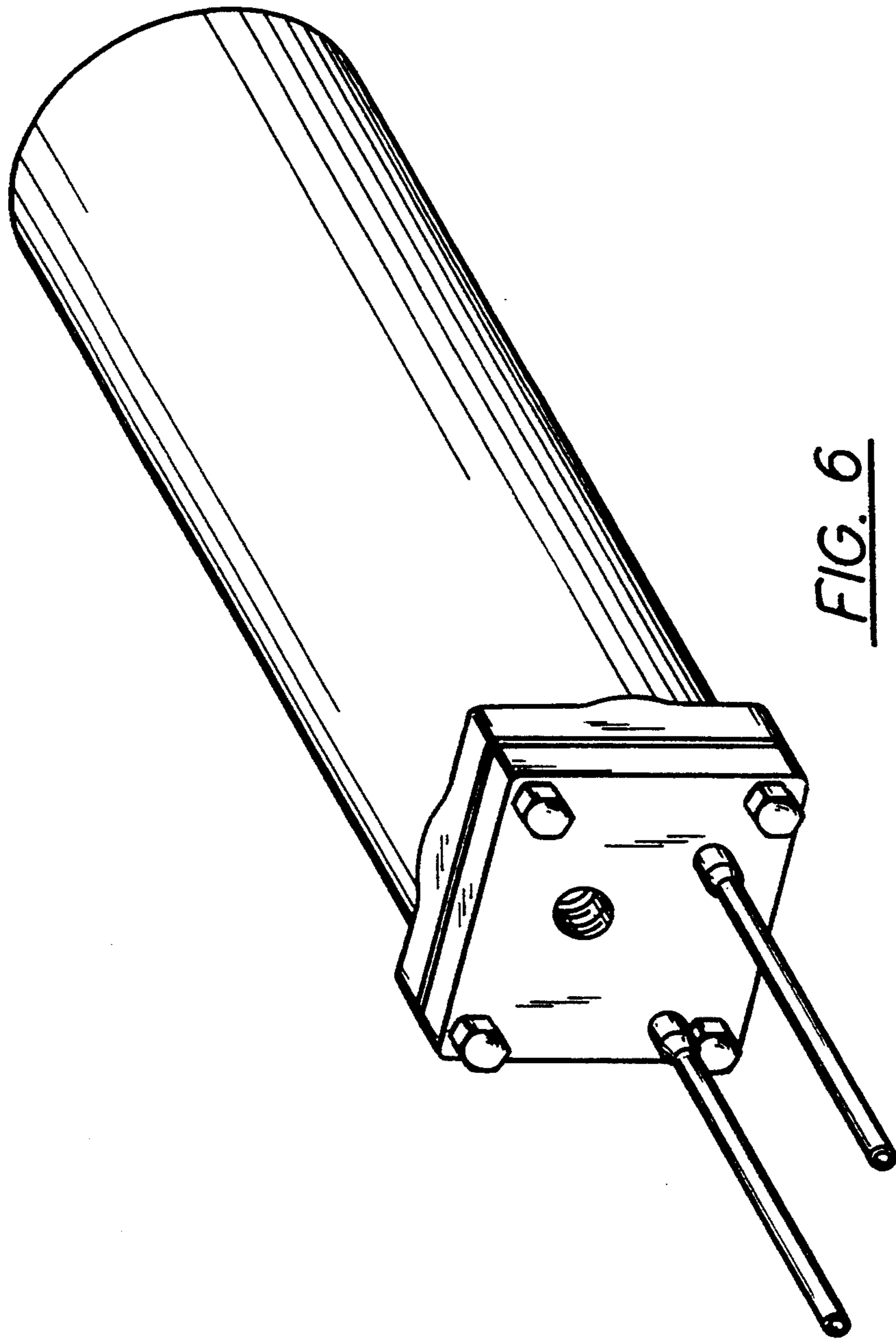


FIG. 6