



US00D349555S

United States Patent [19]

[11] Patent Number: **Des. 349,555**

Siket, Jr. et al.

[45] Date of Patent: **** Aug. 9, 1994**

[54] FISHING POLE HOLDER

[76] Inventors: **George Siket, Jr.; Donna Siket**, both of 23378 Woodlander Way, Moreno Valley, Calif. 92388

[**] Term: **14 Years**

[21] Appl. No.: **829,336**

[22] Filed: **Feb. 3, 1992**

[52] U.S. Cl. **D22/147**

[58] Field of Search 43/21.2; 248/530, 520, 248/512, 514, 515, 533; D22/147

[56] References Cited

U.S. PATENT DOCUMENTS

3,344,551 10/1967 Chestnut D22/147 X
4,086,716 5/1978 Donahue 248/533

Primary Examiner—A. Hugo Word
Assistant Examiner—Doris V. Coles
Attorney, Agent, or Firm—Hugh E. Smith

[57] CLAIM

The ornamental design for a fishing pole holder, as shown and described.

DESCRIPTION

FIG. 1 is a front elevational view of the fishing pole holder showing my new design; FIG. 2 is a rear elevational view thereof; FIG. 3 is a left side elevational view thereof; FIG. 4 is a right side elevational view thereof; FIG. 5 is a top plan view thereof; FIG. 6 is a bottom plan view thereof; and, FIG. 7 is a front elevational view of the invention in use.

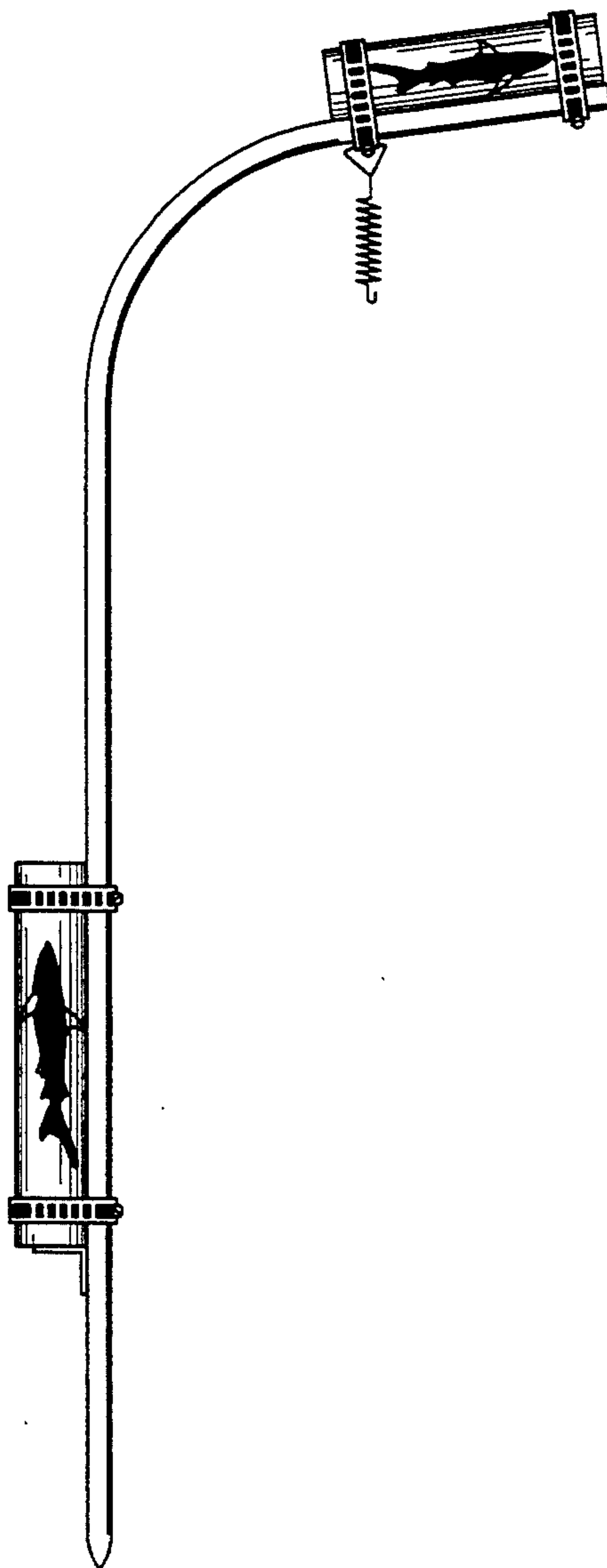


FIG. 1

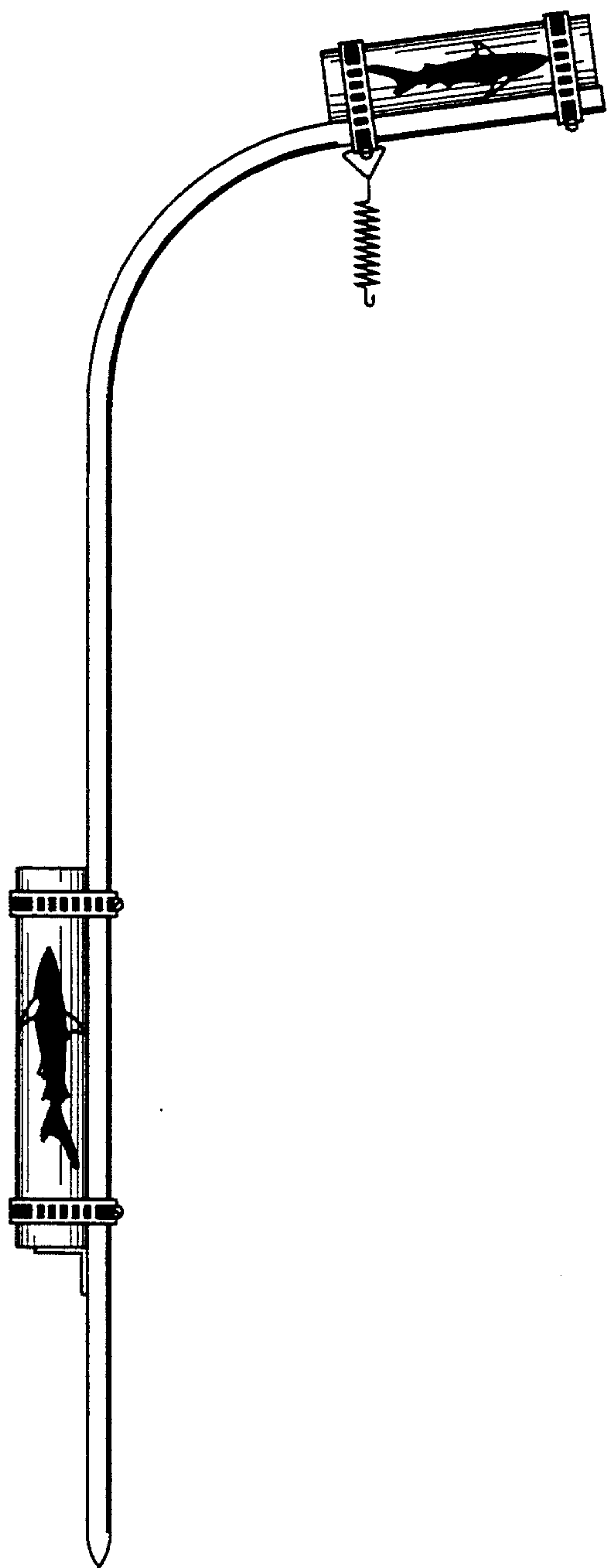


FIG. 2

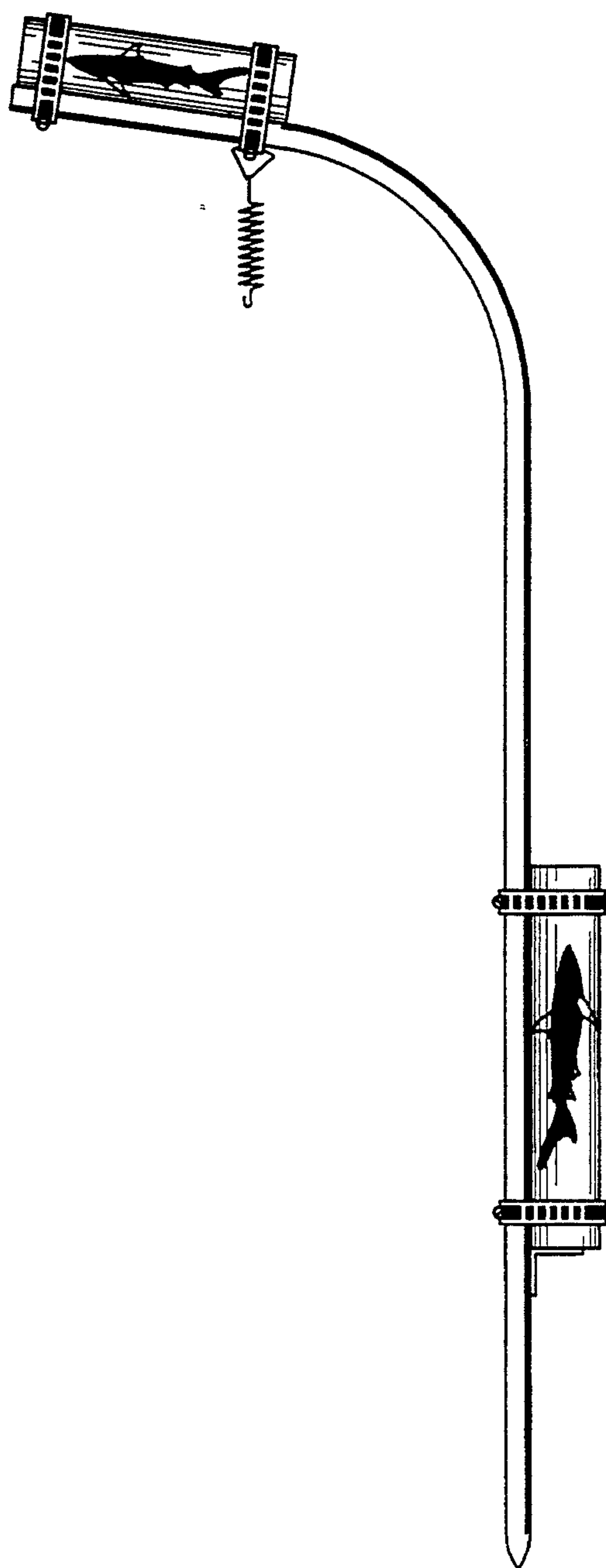


FIG. 3

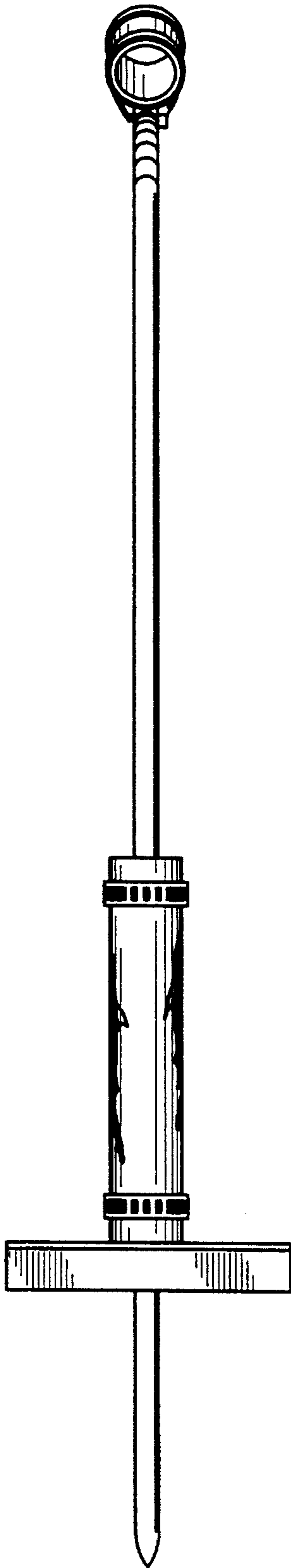


FIG. 4

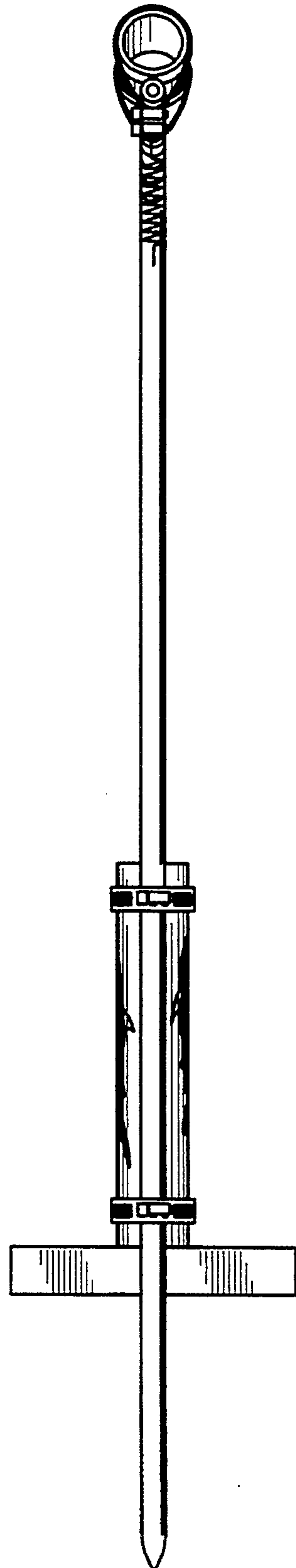


FIG. 5

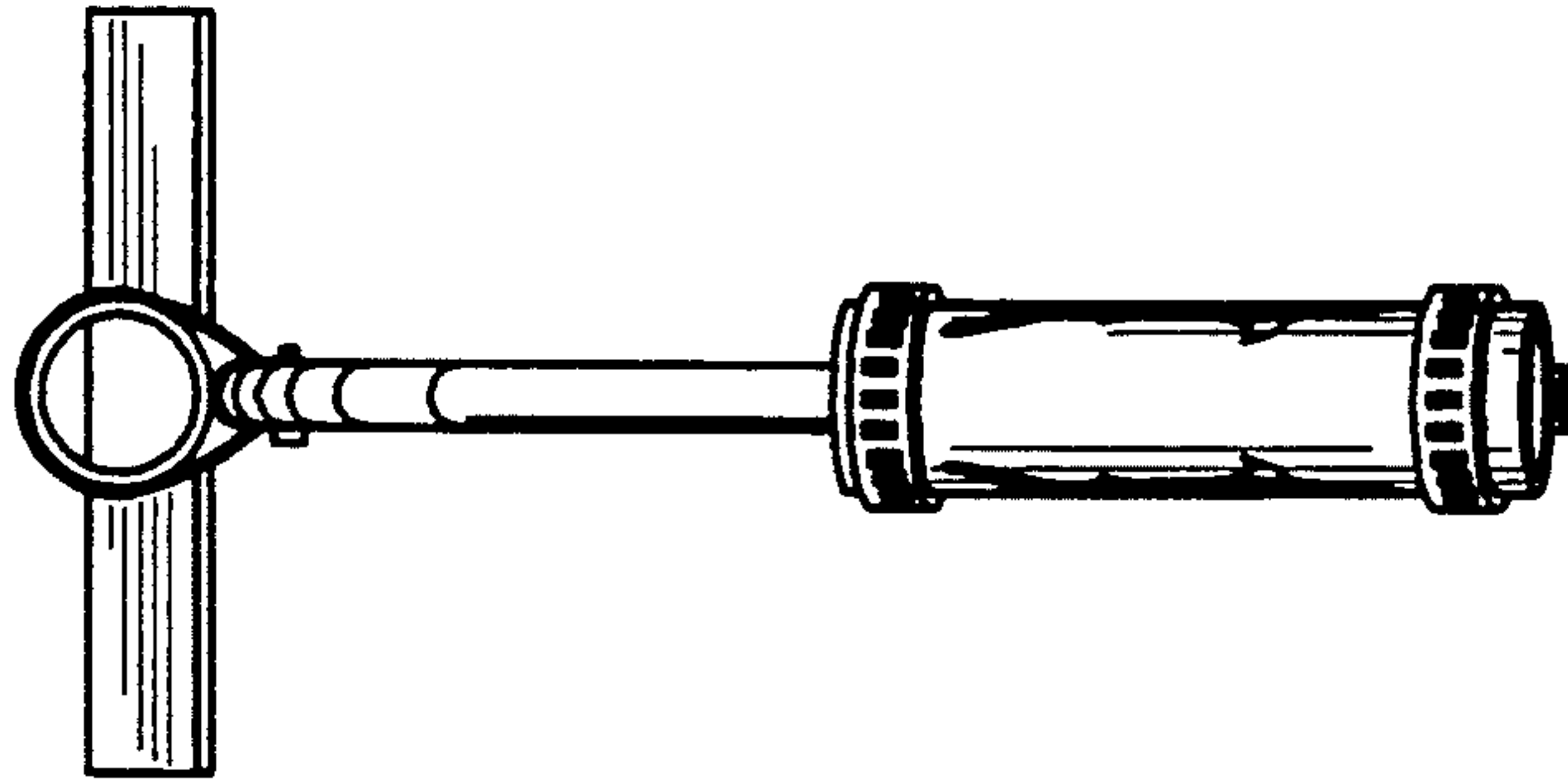


FIG. 6

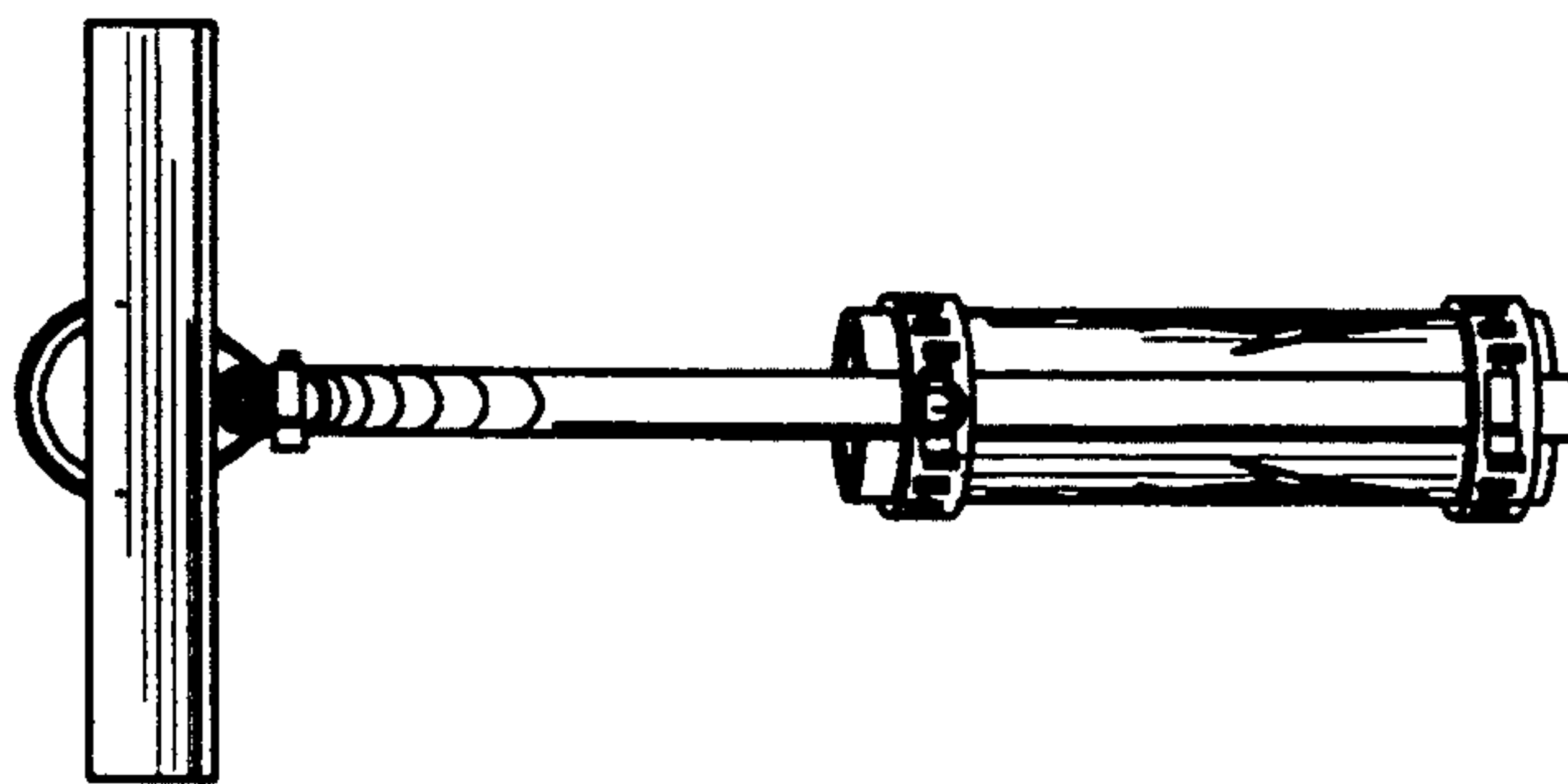


FIG. 7

