



US00D349554S

# United States Patent [19]

[11] Patent Number: **Des. 349,554**

Yates

[45] Date of Patent: **\*\* Aug. 9, 1994**

[54] **INSECT TRAP**

[76] Inventor: **William Yates**, 40 Farewell Crescent,  
Smithsville, Ontario, Canada, L0R  
2A0

[\*\*] Term: **14 Years**

[21] Appl. No.: **3,652**

[22] Filed: **Jan. 12, 1993**

[52] U.S. Cl. .... **D22/119; D22/119**

[58] Field of Search ..... 43/112, 113, 124, 139,  
43/132.1; D22/119, 122

4,817,330 4/1989 Fahringer ..... 43/139 X  
4,858,376 8/1989 Reed ..... 43/139  
4,908,978 3/1990 Zacharias ..... 43/112 X

*Primary Examiner*—A. Hugo Word  
*Assistant Examiner*—Doris V. Coles  
*Attorney, Agent, or Firm*—Terry M. Gernstein

## [57] CLAIM

The ornamental design for a insect trap, as shown and described.

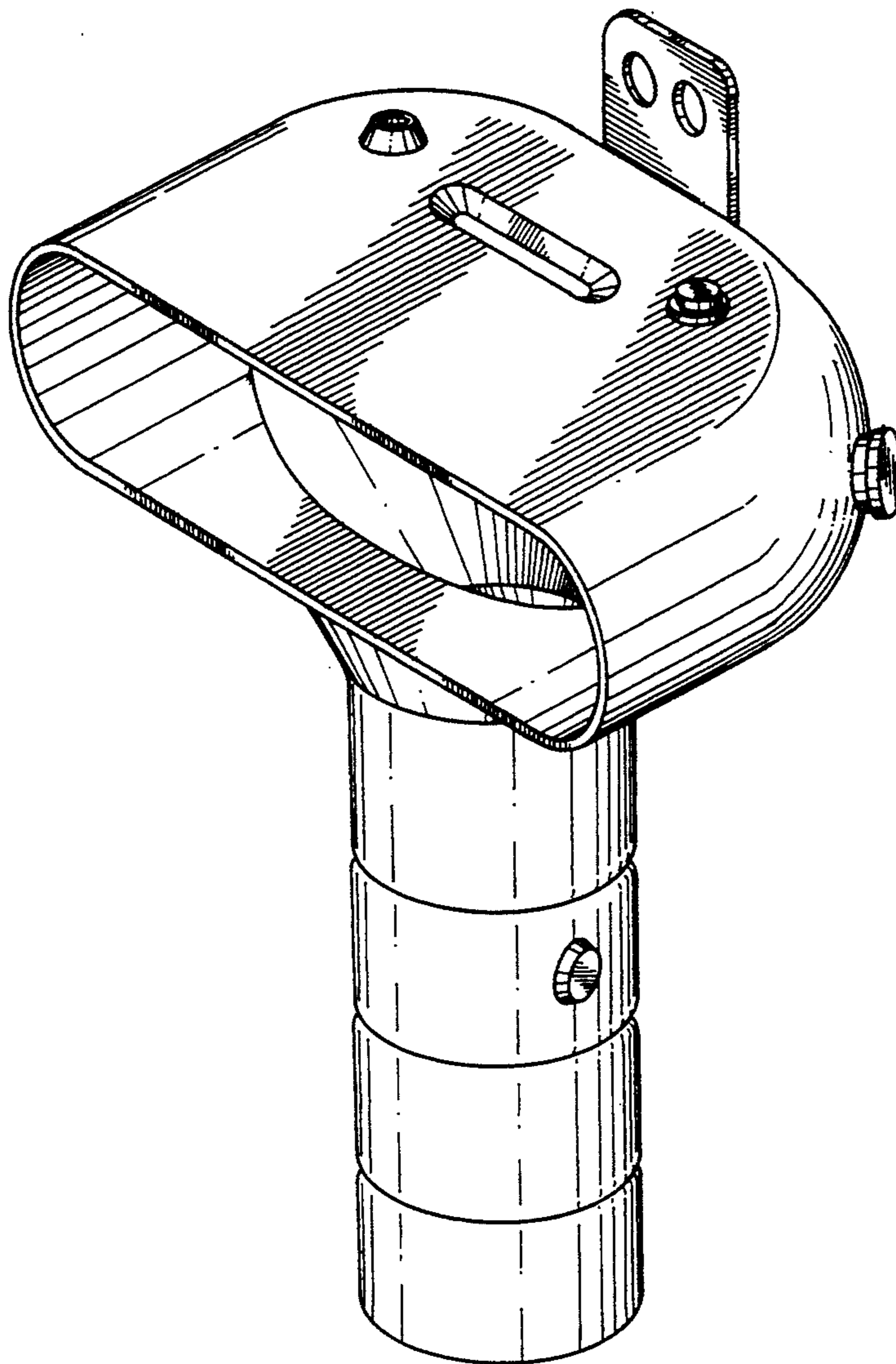
## DESCRIPTION

FIG. 1 is a perspective view of the insect trap embodying the design of the present invention;  
FIG. 2 is a front elevational view thereof;  
FIG. 3 is a rear elevational view thereof;  
FIG. 4 is a side elevational view thereof, the side opposite being a mirror image of the side shown in FIG. 4;  
FIG. 5 is a top plan view thereof; and,  
FIG. 6 is a bottom view thereof.

## [56] References Cited

### U.S. PATENT DOCUMENTS

D. 191,050 8/1961 Viemeister ..... D22/123  
2,893,161 7/1959 Reid ..... D22/123 X  
3,023,539 3/1962 Emerson, Jr. .... 43/113  
3,041,773 7/1962 Gagliano ..... 43/139  
3,120,075 2/1964 Barnhart, Sr. .... 43/139



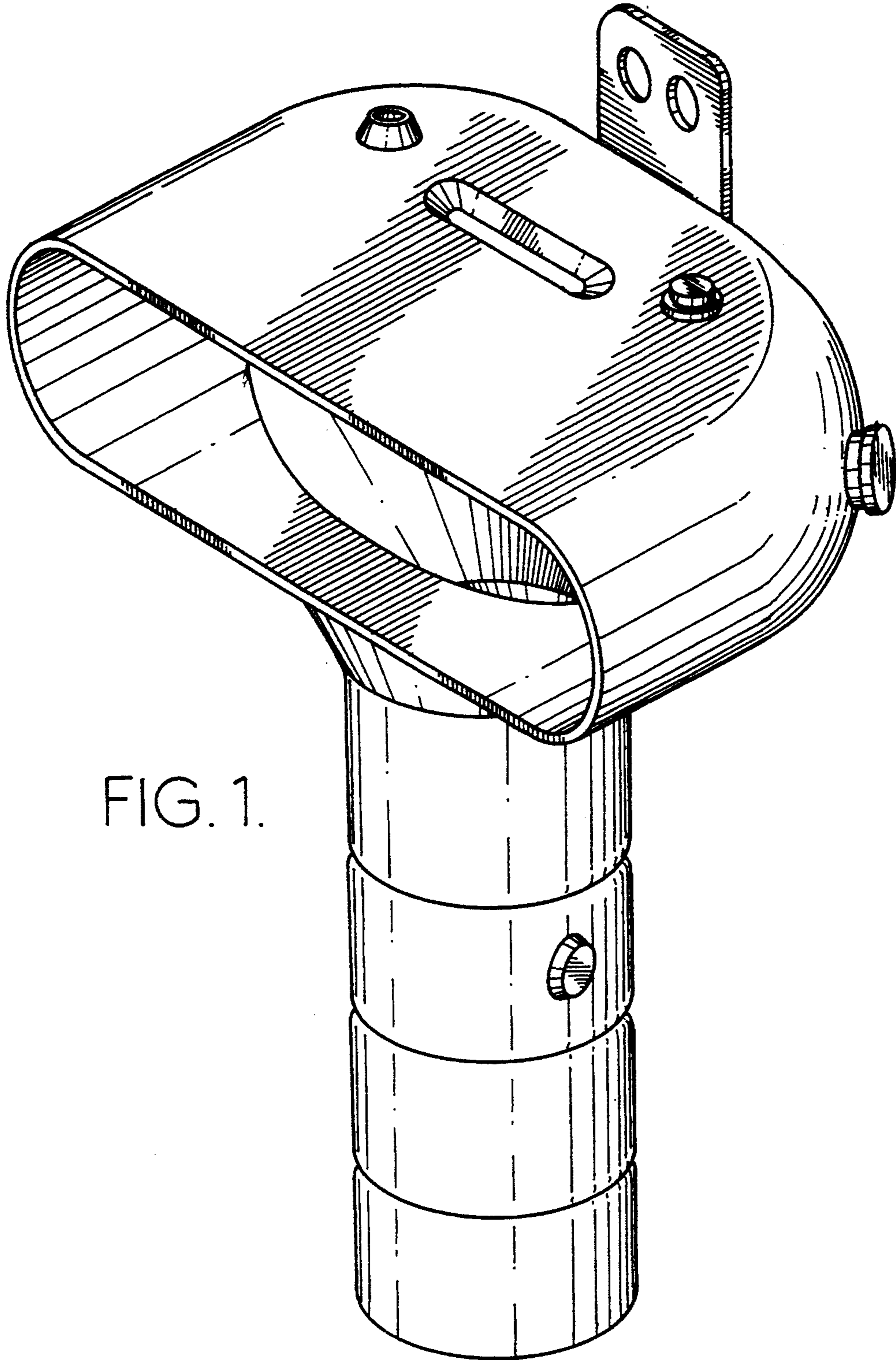


FIG. 1.

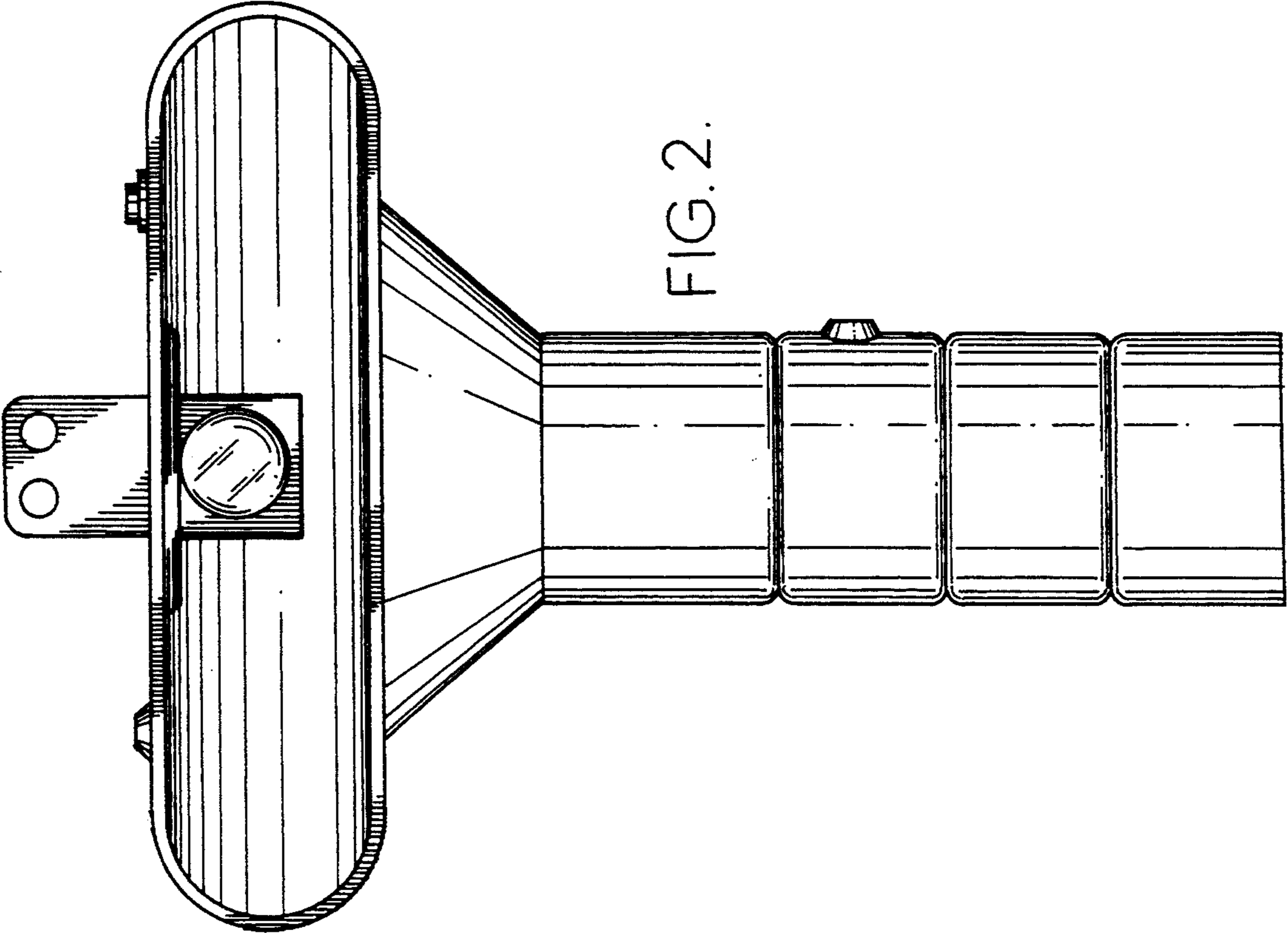
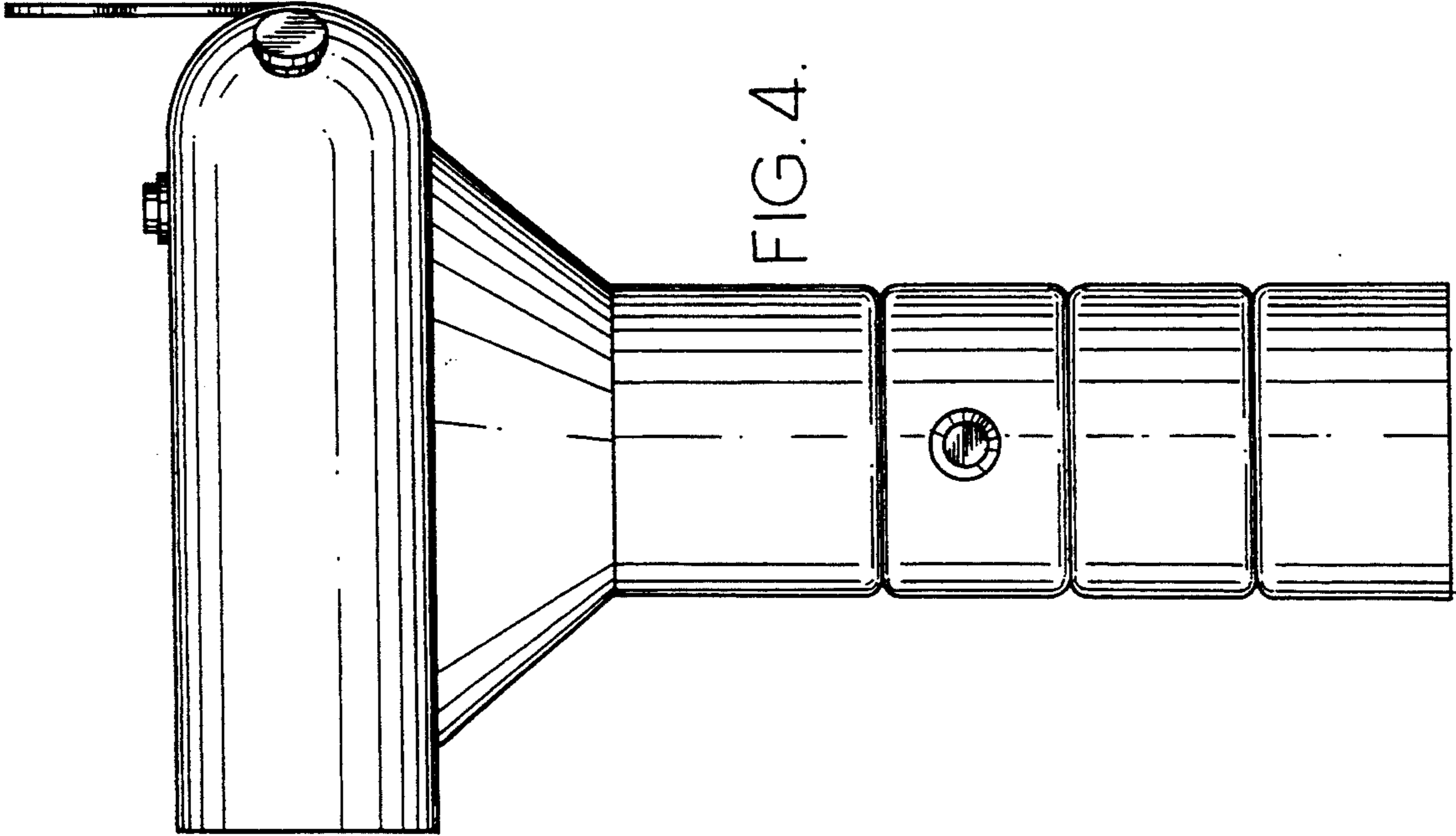


FIG. 5.

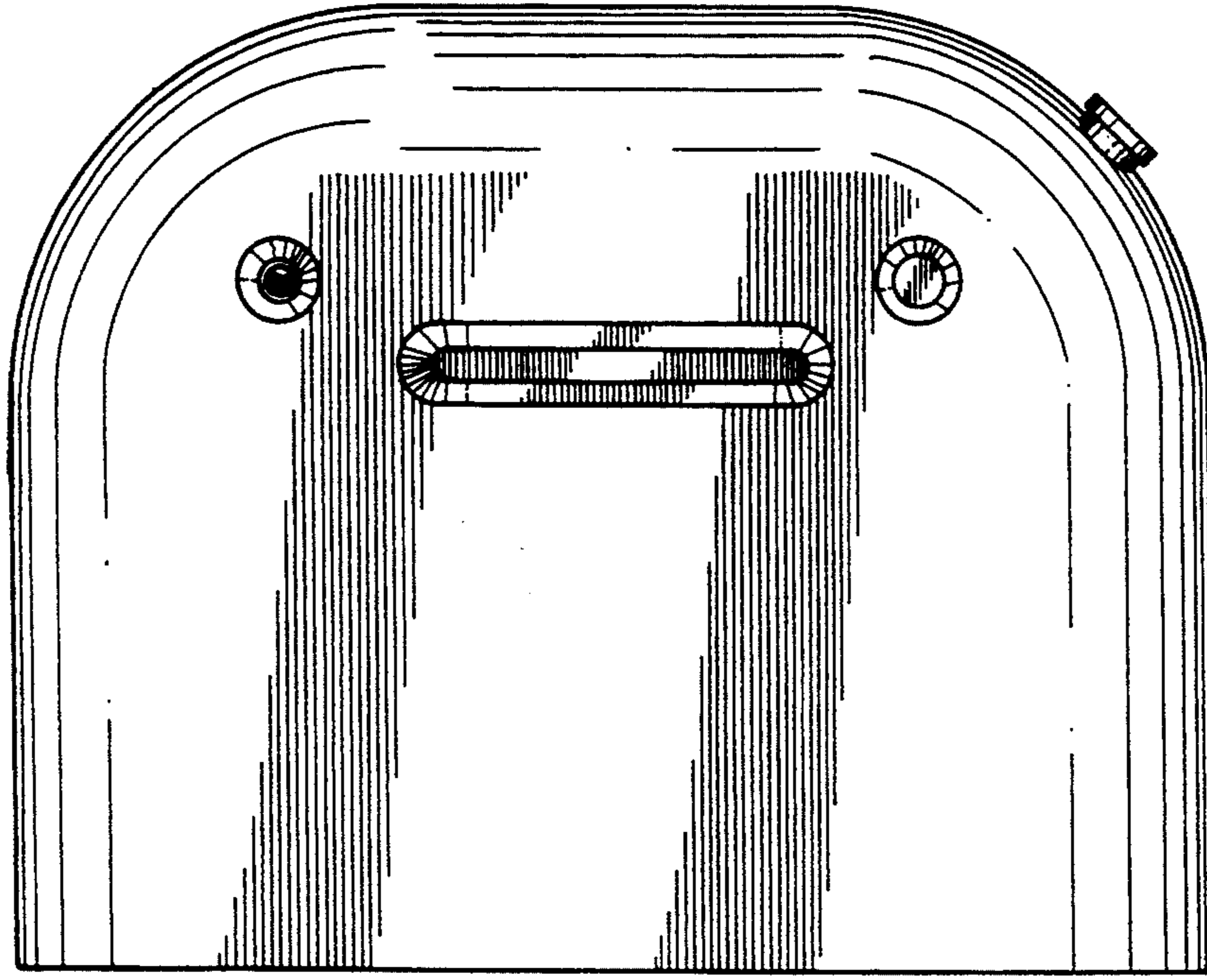
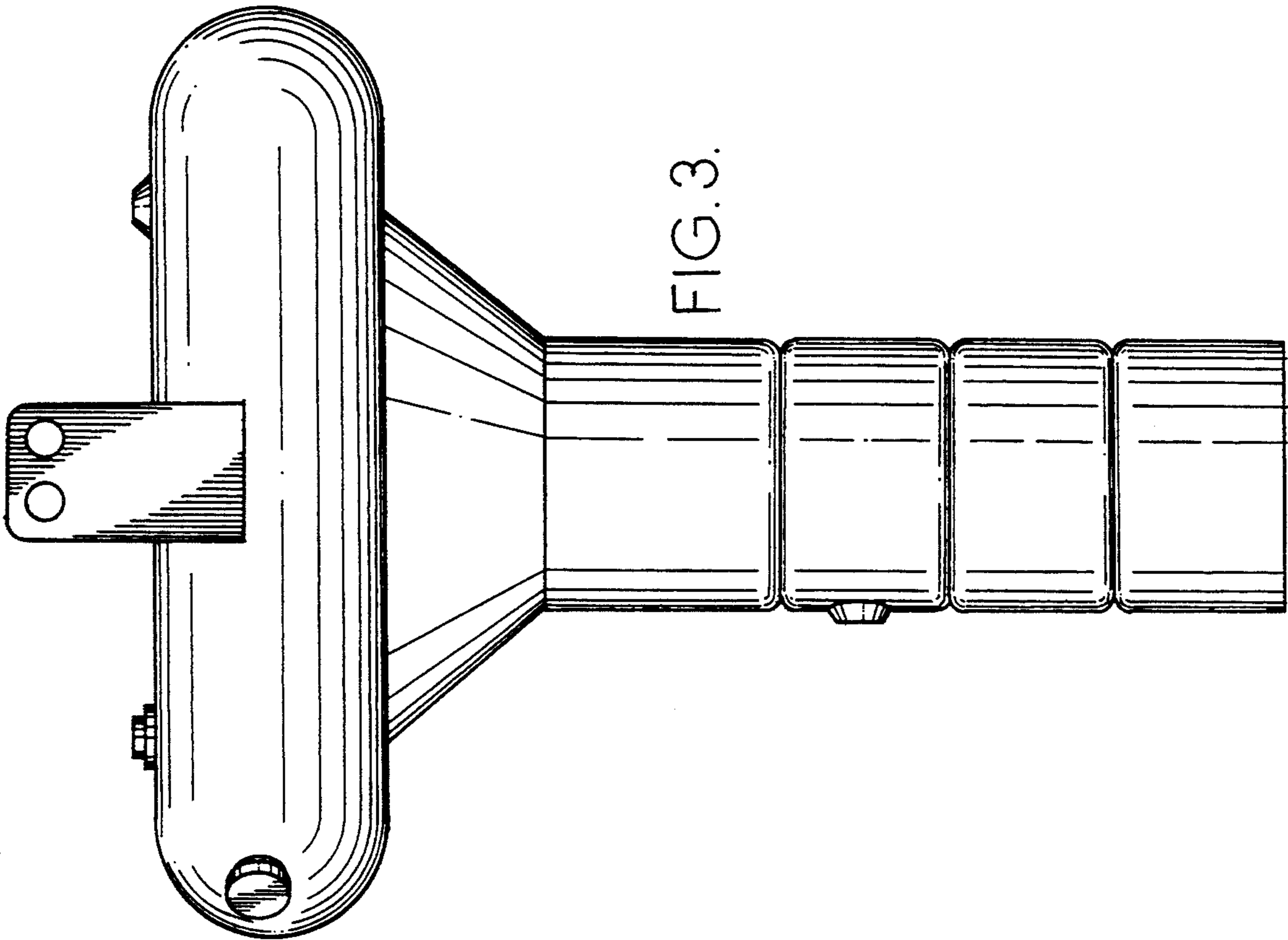


FIG. 3.



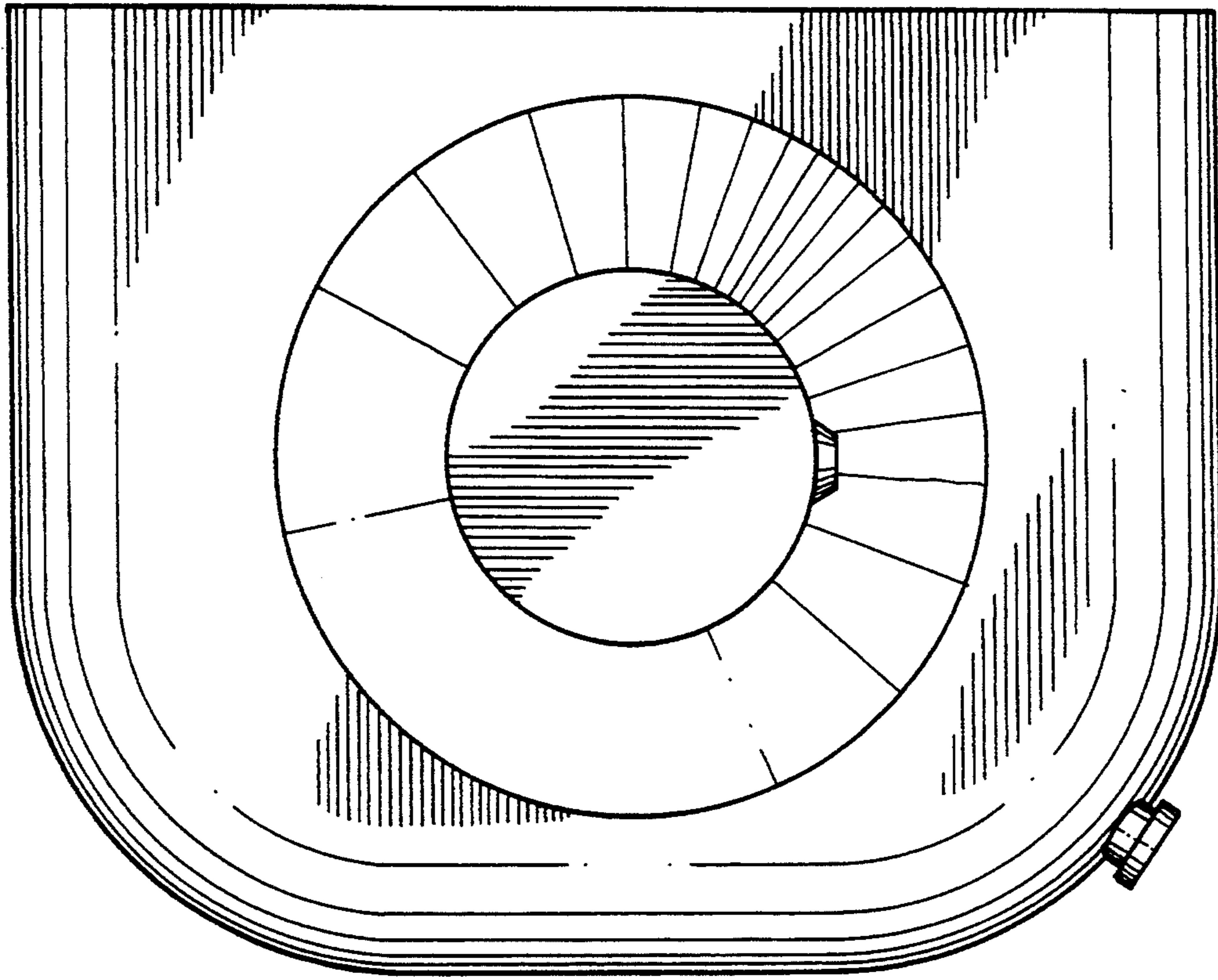


FIG. 6.