



US00D349553S

United States Patent [19]

[11] Patent Number: **Des. 349,553**

Au

[45] Date of Patent: **** Aug. 9, 1994**

[54] **DISPLAY BOX**

[75] Inventor: **Ho C. Au**, Golden Phoenix Court,
Hong Kong

[73] Assignee: **Nationalpak Limited**, Tuen Mun,
Hong Kong

[**] Term: **14 Years**

[21] Appl. No.: **6,021**

[22] Filed: **Mar. 17, 1993**

[52] U.S. Cl. **D9/422; D9/418**

[58] Field of Search **D9/420-424,**
D9/432, 414, 430, 428, 337, 418; D3/39;
206/566, 594, 301, 6.1, 45.19, 45.13, 45.14,
45.18

[56] **References Cited**

U.S. PATENT DOCUMENTS

D. 99,545 5/1936 Guttman D9/422

D. 240,202	6/1976	Ferguson	D9/422
D. 343,357	1/1994	Masunaga	D9/422
4,034,849	7/1977	Zakrajsek	206/301 X
4,216,858	8/1980	Beauchamp	206/301 X
4,830,181	5/1989	Hartman	206/301 X

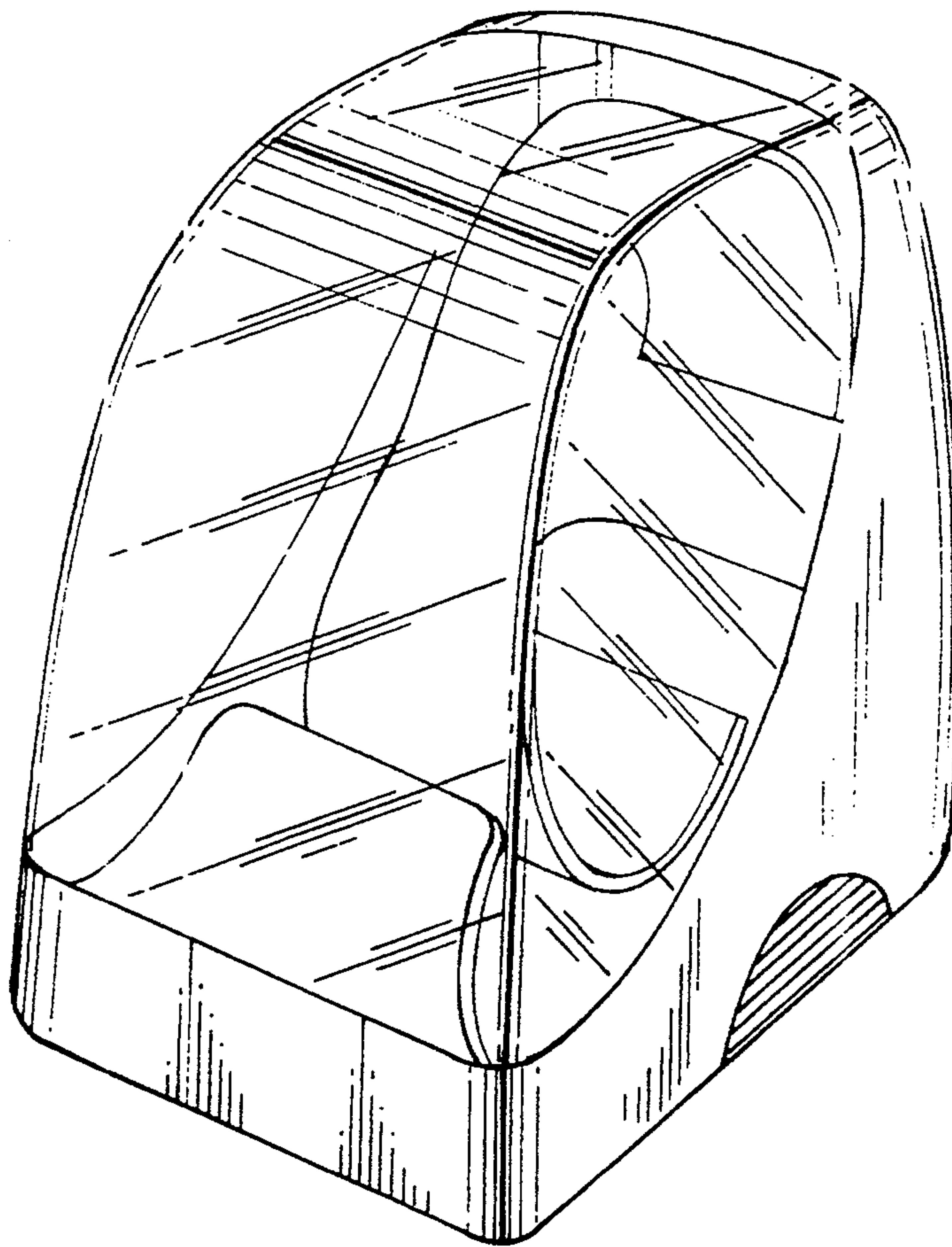
Primary Examiner—Prabhakar G. Deshmukh
Attorney, Agent, or Firm—Larson and Taylor

[57] **CLAIM**

The ornamental design of a display box, as shown.

DESCRIPTION

FIG. 1 is a side and front perspective of a display box showing my new design;
FIG. 2 is a right side elevational view thereof;
FIG. 3 is a front elevational view thereof;
FIG. 4 is a left side elevational view thereof;
FIG. 5 is a rear elevational view thereof;
FIG. 6 is a top plan view thereof; and,
FIG. 7 is a bottom plan view thereof.



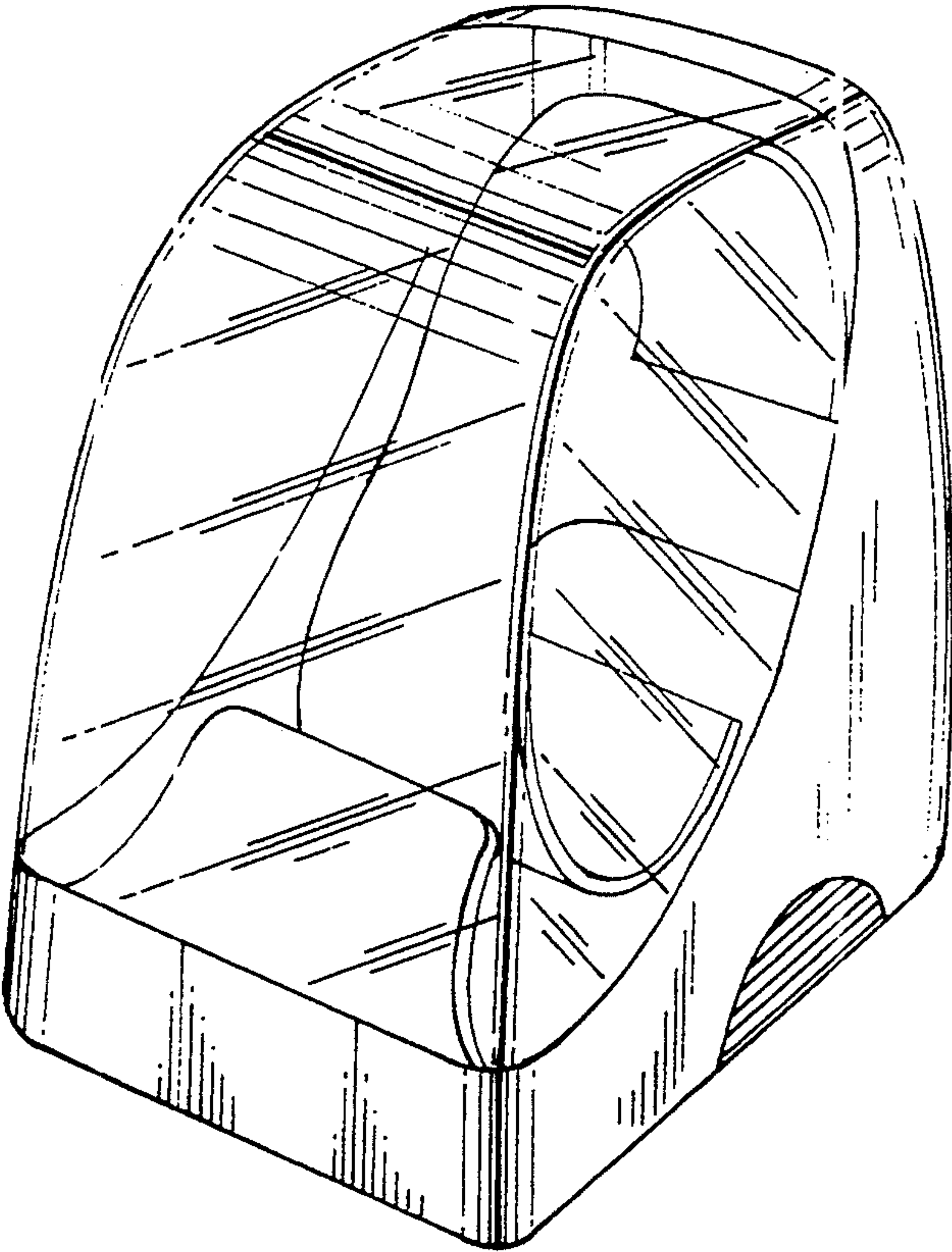


FIG. 1

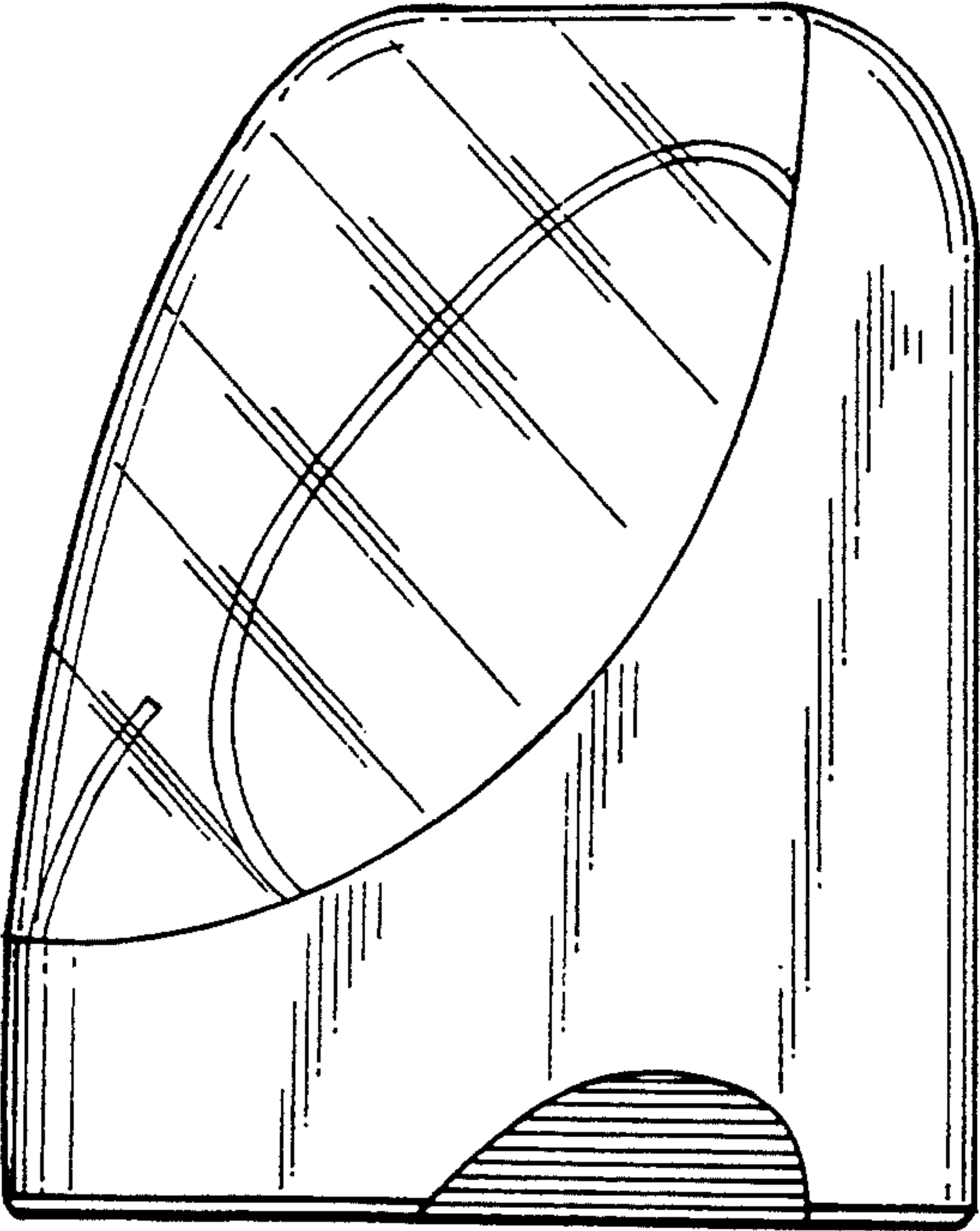


FIG. 2

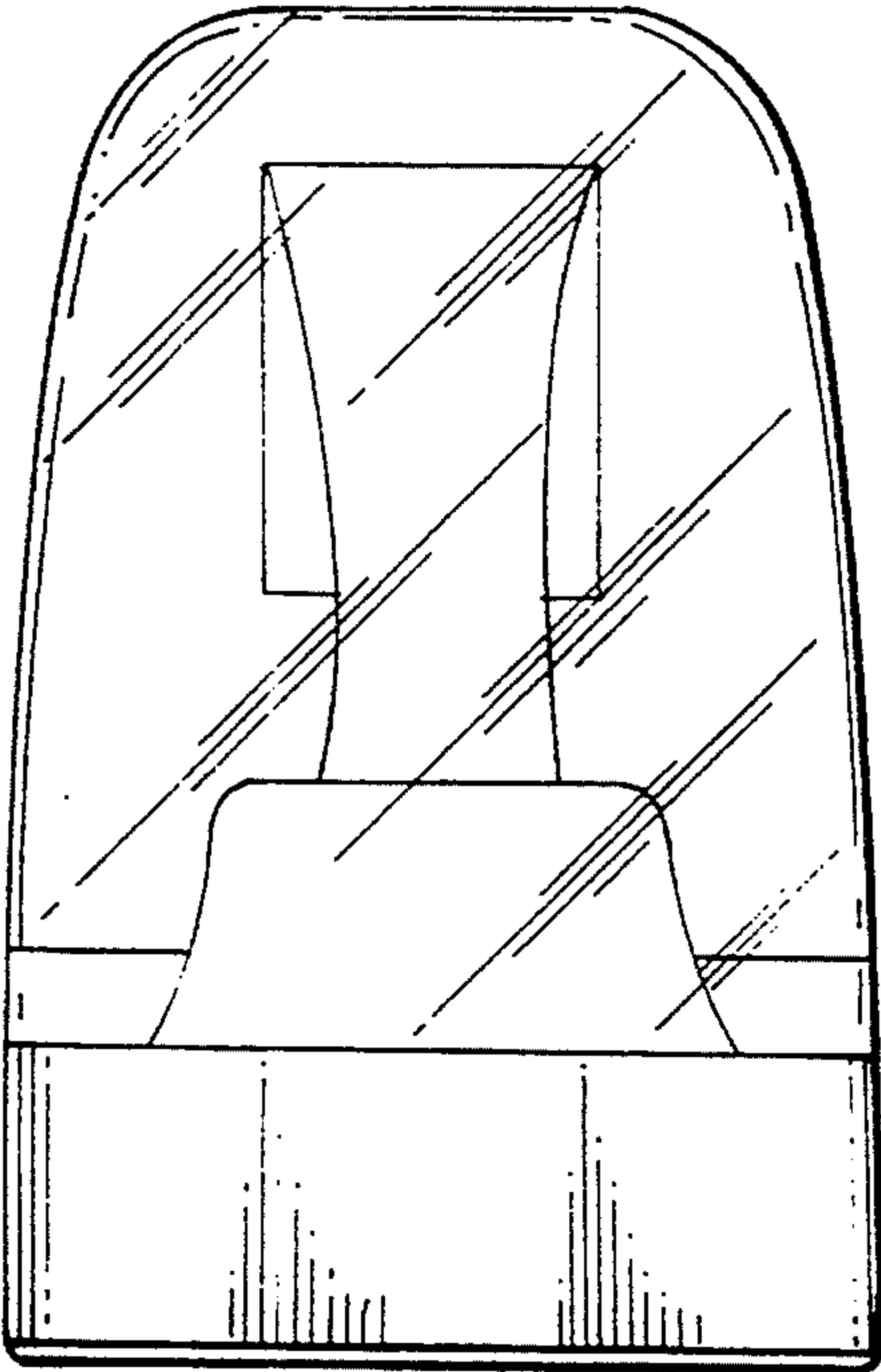


FIG. 3

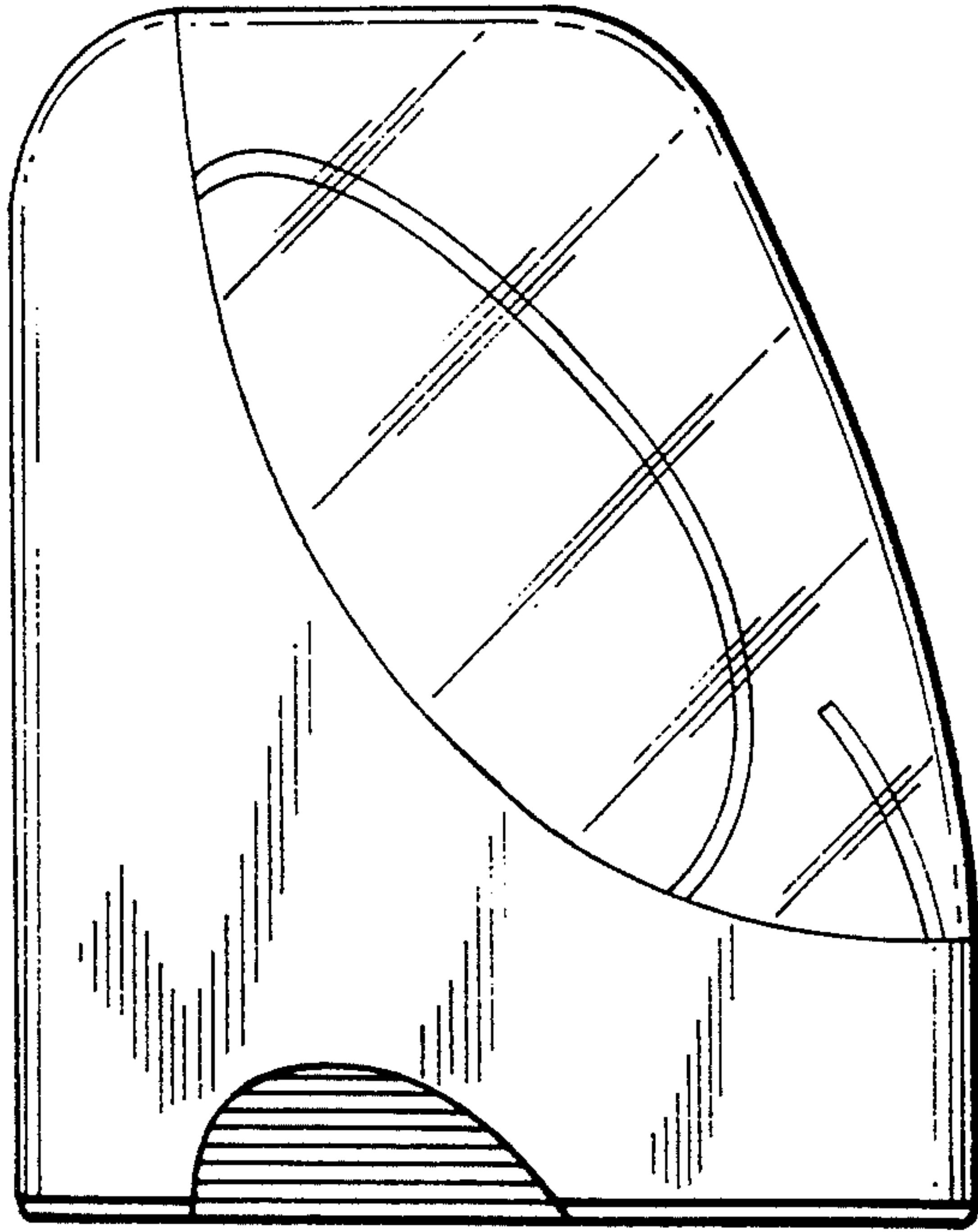


FIG. 4

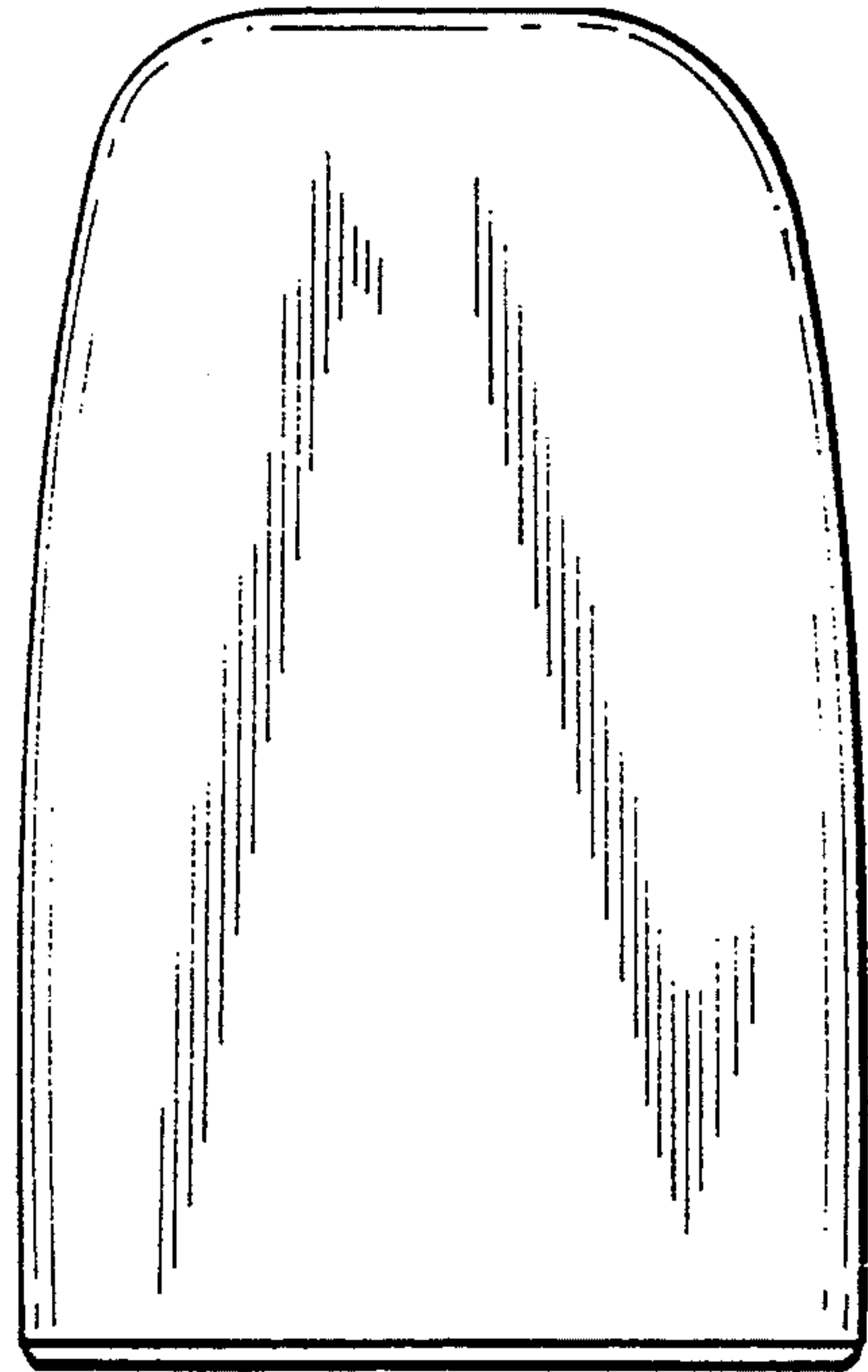


FIG. 5

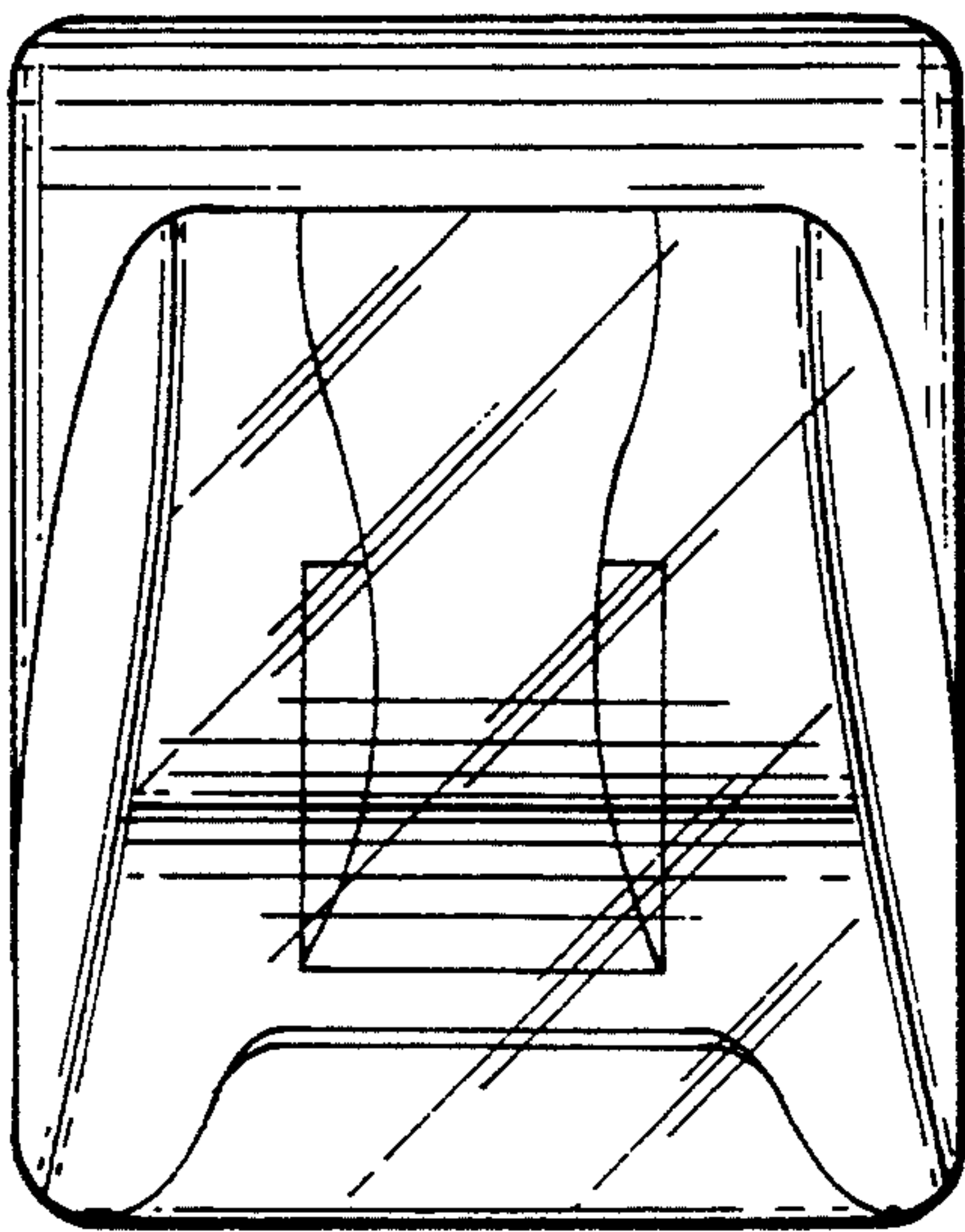


FIG. 6

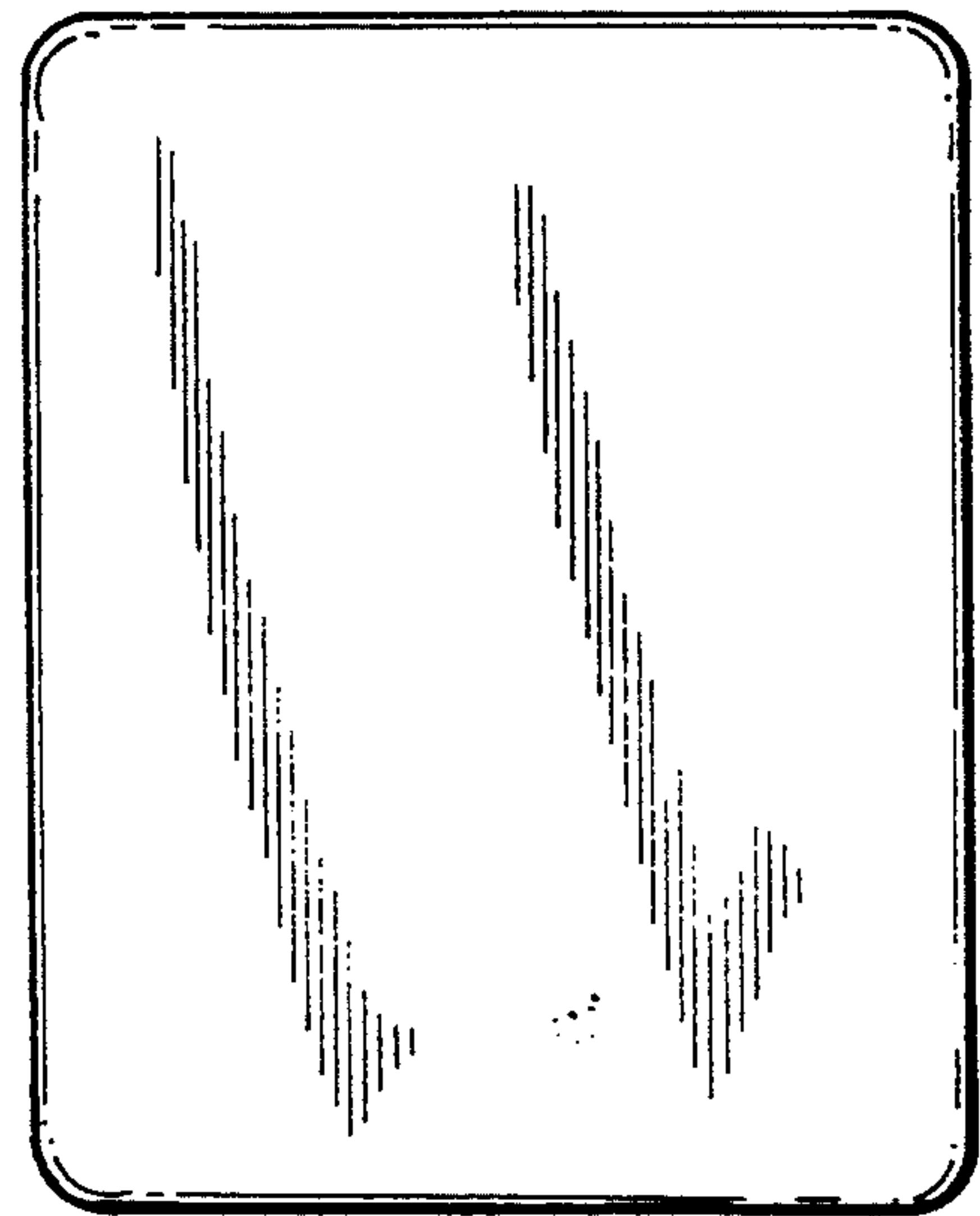


FIG. 7