



US00D349552S

# United States Patent [19]

Fleming

[11] Patent Number: Des. 349,552

[45] Date of Patent: \*\* Aug. 9, 1994

[54] SWIM FIN

[75] Inventor: Terry Fleming, Miranda, Australia

[73] Assignee: Manta Surfing Products, Miranda, Australia

[\*\*] Term: 14 Years

[21] Appl. No.: 4,045

[22] Filed: Jan. 27, 1993

[52] U.S. Cl. .... D21/239

[58] Field of Search ..... 441/64, 51, 62, 63; D21/239, 237

[56] **References Cited**

**U.S. PATENT DOCUMENTS**

D. 124,013 12/1940 Churchill ..... D21/239

D. 328,325 7/1992 Mitchell ..... D21/239

*Primary Examiner*—Kay H. Chin  
*Attorney, Agent, or Firm*—John Lezdey

[57] **CLAIM**

The ornamental design for a swim fin, as shown and described.

**DESCRIPTION**

FIG. 1 is a top plan view of a swim fin showing my new design;

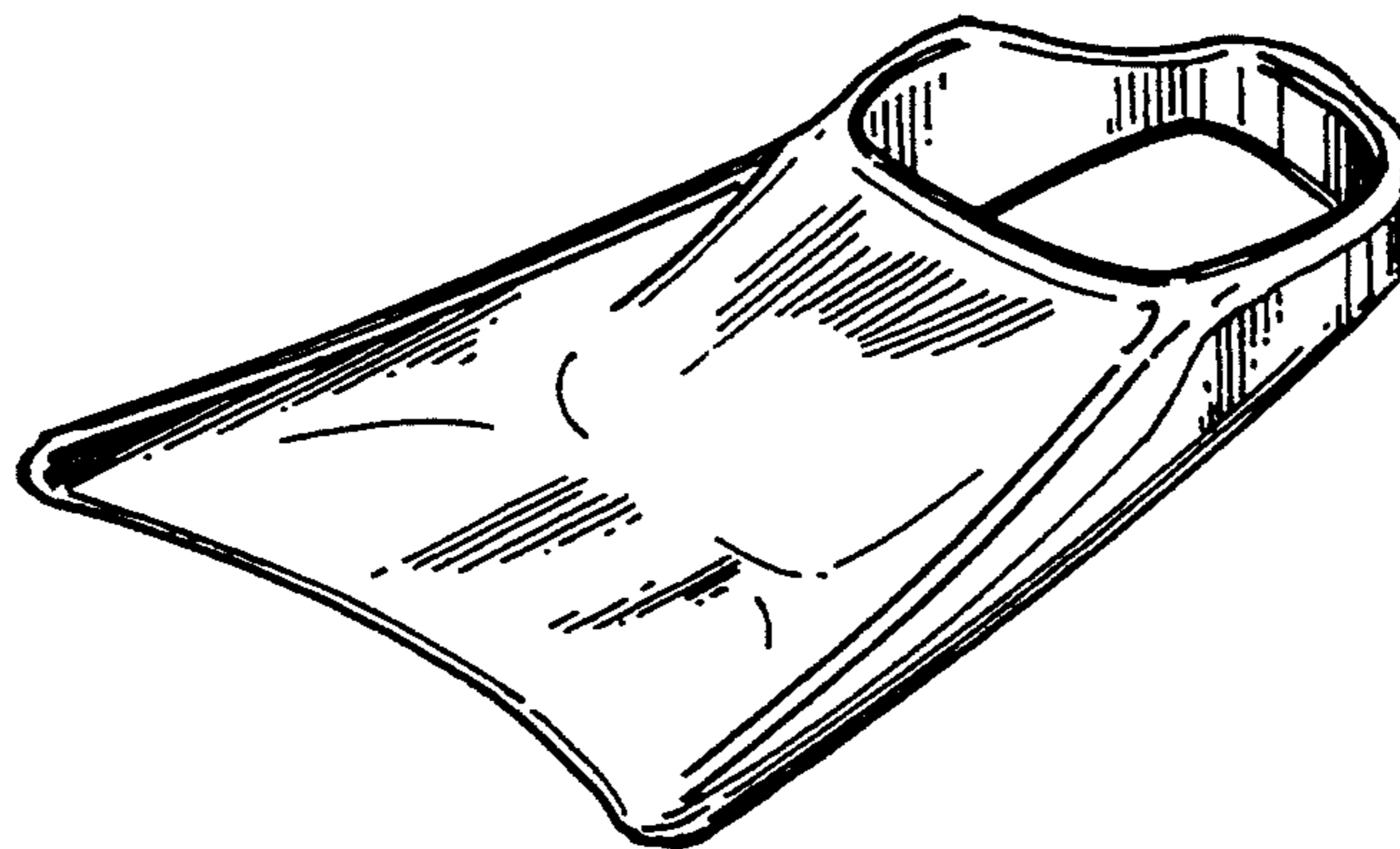
FIG. 2 is a bottom plan view thereof;

FIG. 3 is a side elevational view thereof, the opposite side being a mirror image;

FIG. 4 is a front elevational view thereof;

FIG. 5 is a rear elevational view thereof; and,

FIG. 6 is a perspective view.



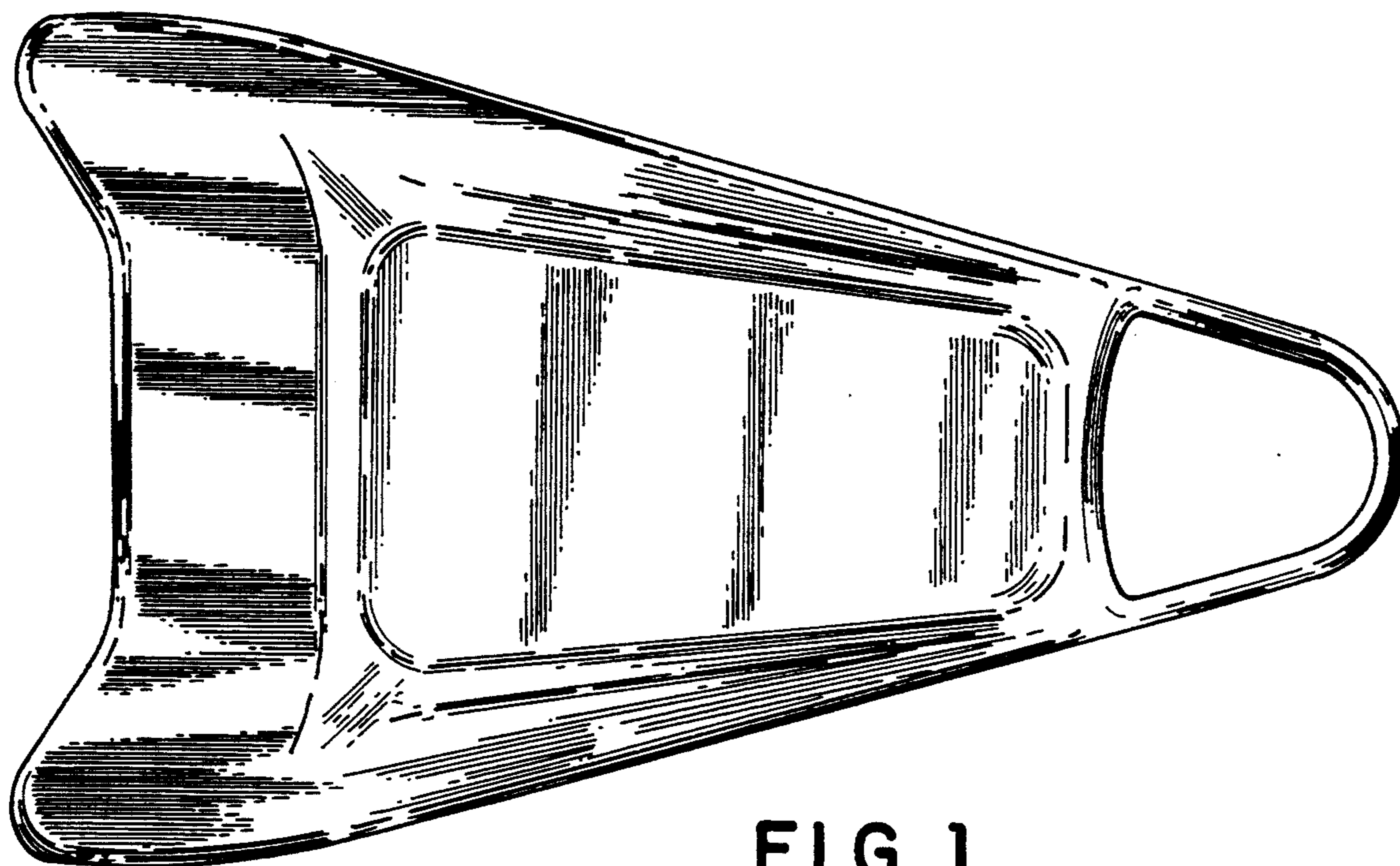


FIG. 1

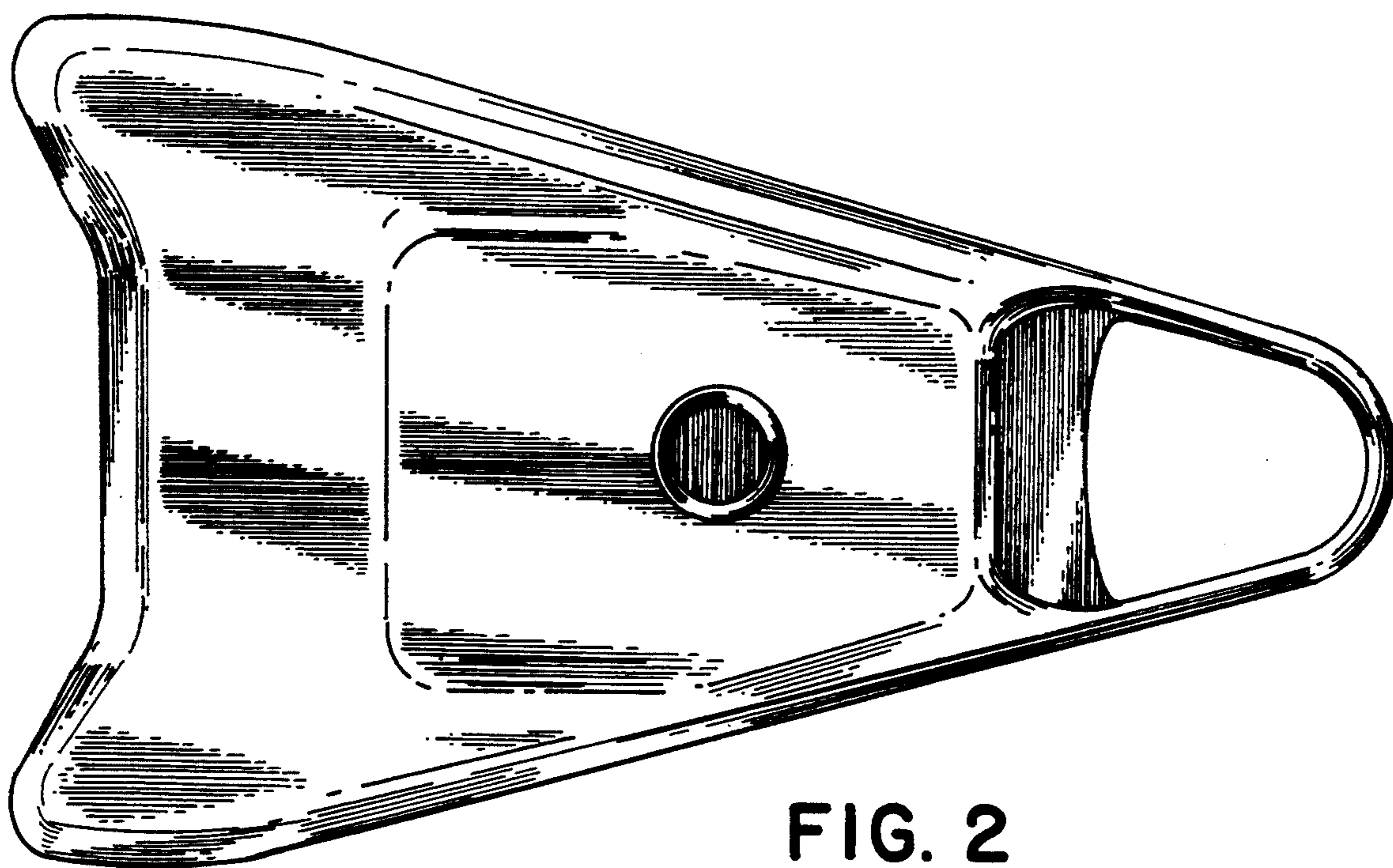


FIG. 2

FIG. 3



FIG. 4

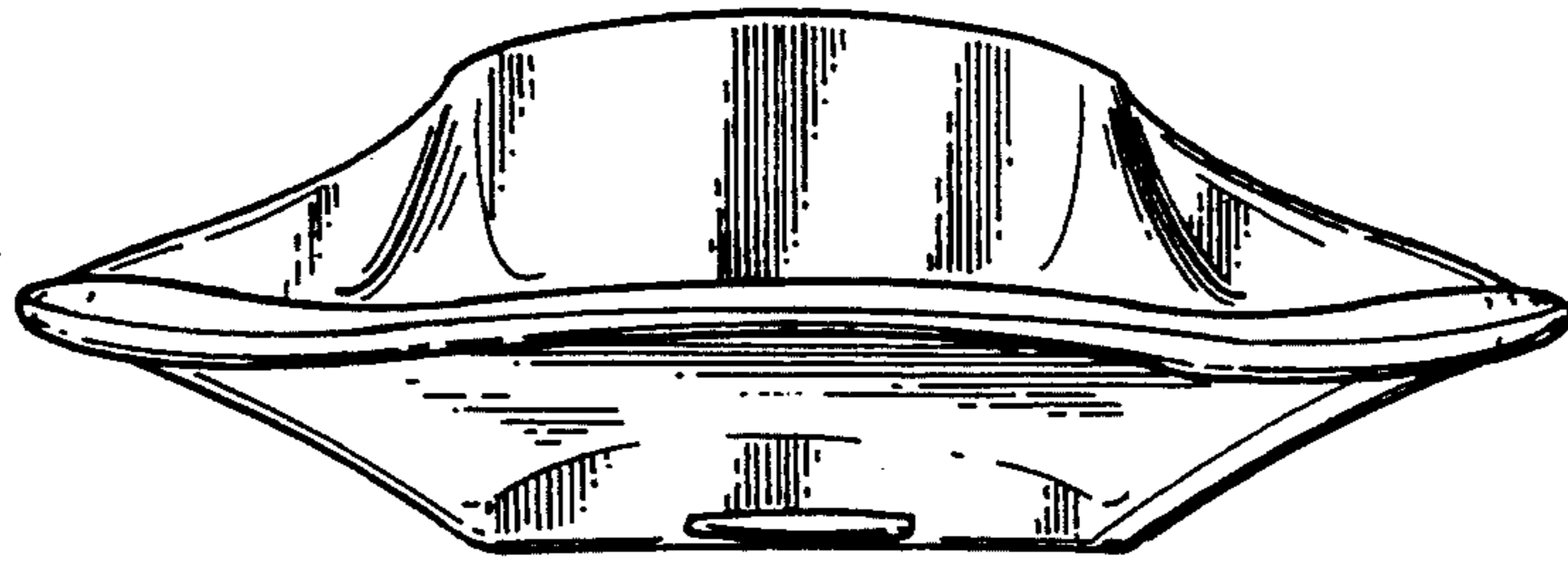


FIG. 5

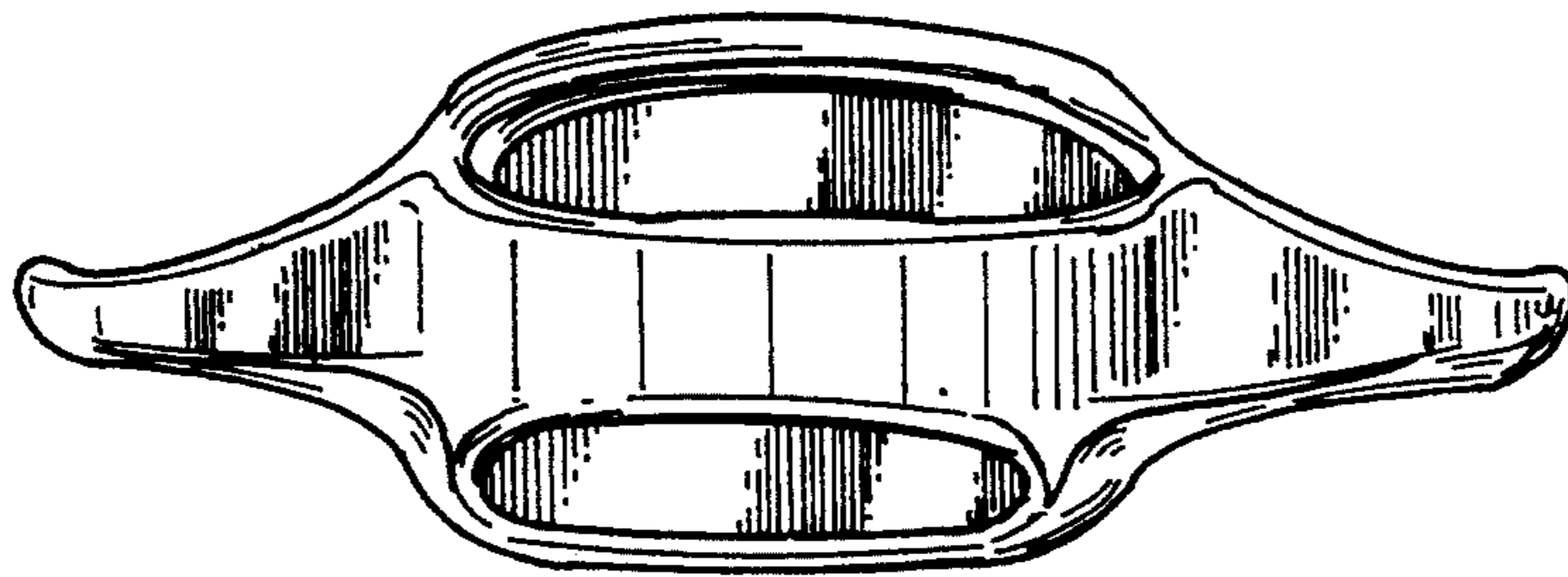


FIG. 6

