



US00D349550S

United States Patent [19]

[11] Patent Number: **Des. 349,550**

Reeves

[45] Date of Patent: **** Aug. 9, 1994**

[54] **GOLF EQUIPMENT HOLDER**

3,497,118	2/1970	Najjar	224/919
4,730,728	3/1988	Larkin	224/918
4,927,052	5/1990	Marthaler et al.	224/918

[76] Inventor: **Richard A. Reeves**, 7536 E. Coolidge, Scottsdale, Ariz. 85251

[**] Term: **14 Years**

Primary Examiner—B. J. Bullock
Attorney, Agent, or Firm—David G. Rosenbaum

[21] Appl. No.: **3,026**

[57] **CLAIM**

[22] Filed: **Dec. 28, 1992**

The ornamental design for a golf equipment holder, as shown.

[52] U.S. Cl. **D21/234; D3/254; D3/221**

DESCRIPTION

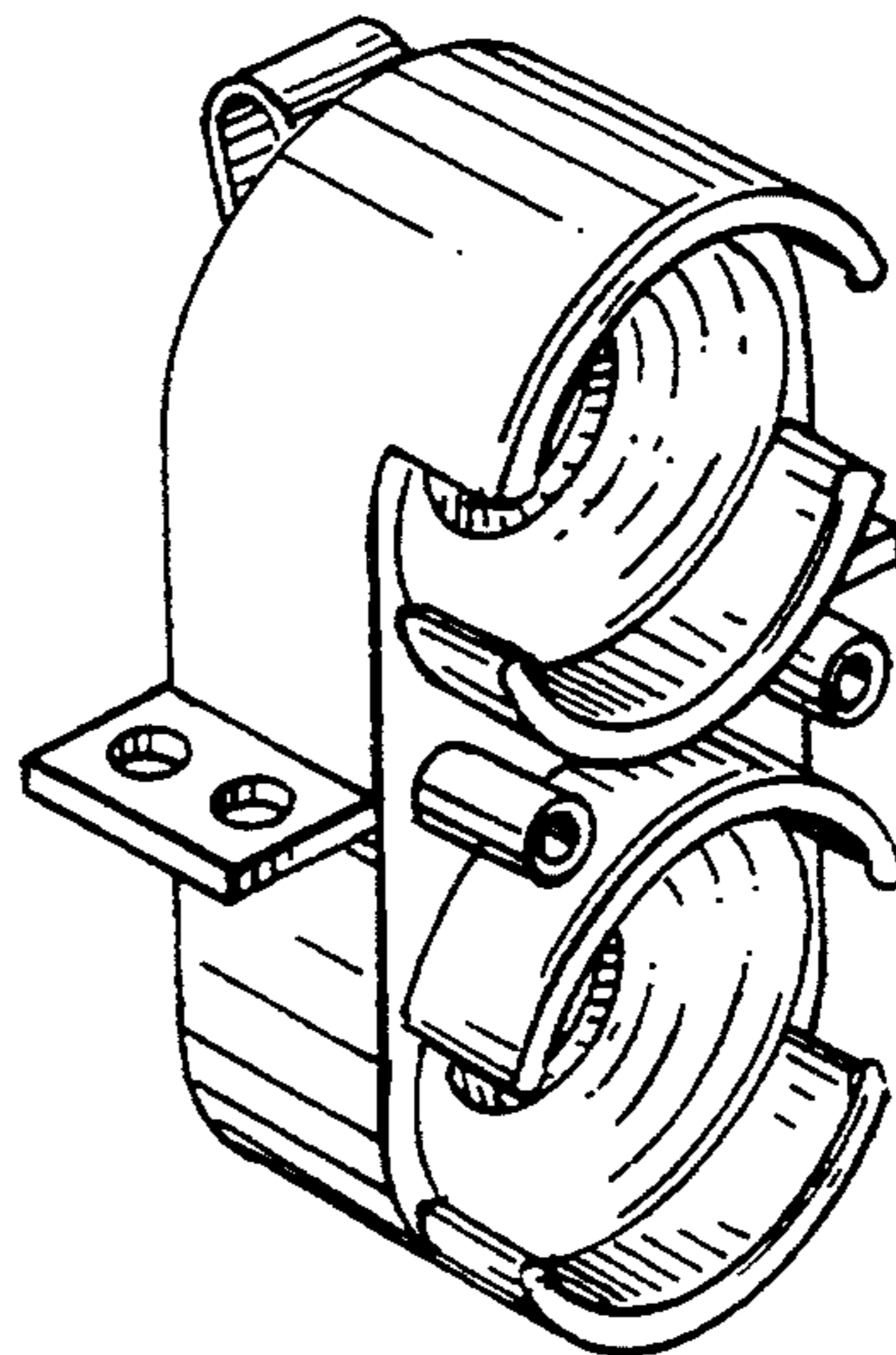
[58] **Field of Search** D3/184; 224/918, 919; 206/315.1, 315.9; 273/32 D; D21/234

FIG. 1 is a perspective view of a golf equipment holder showing my new design;
 FIG. 2 is an enlarged front elevational view thereof;
 FIG. 3 is an enlarged right side elevational view thereof;
 FIG. 4 is an enlarged rear elevational view thereof;
 FIG. 5 is an enlarged bottom plan view thereof;
 FIG. 6 is an enlarged left side elevational view thereof;
 and,
 FIG. 7 is an enlarged top plan view thereof.

[56] **References Cited**

U.S. PATENT DOCUMENTS

D. 258,021	1/1981	Bonaventura	D21/234
D. 295,883	5/1988	Allen	D21/234
D. 306,375	3/1990	Stack	D21/234
2,665,830	1/1954	Fowler	224/919
2,768,775	10/1956	Houser	224/919



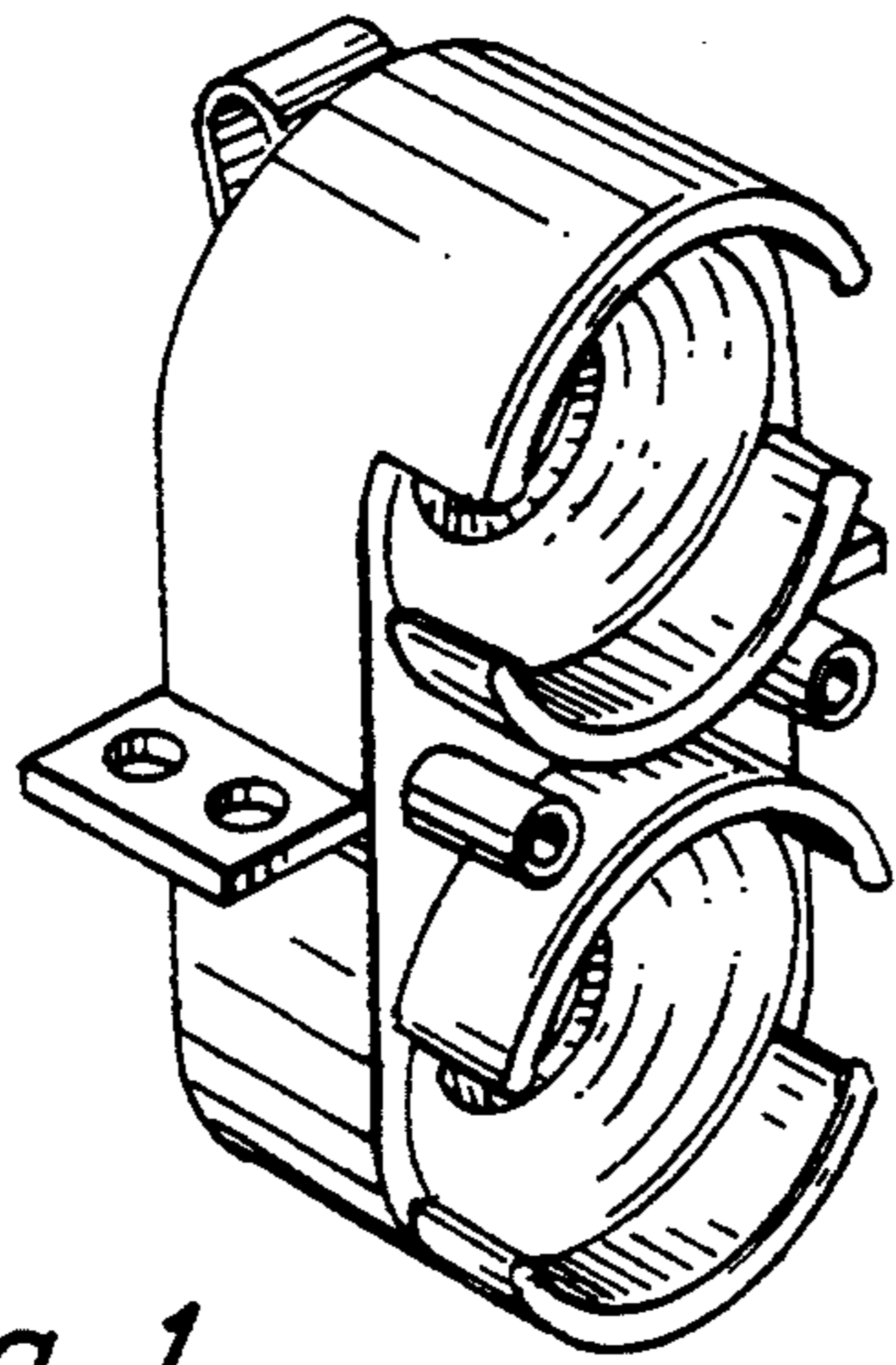


Fig. 1

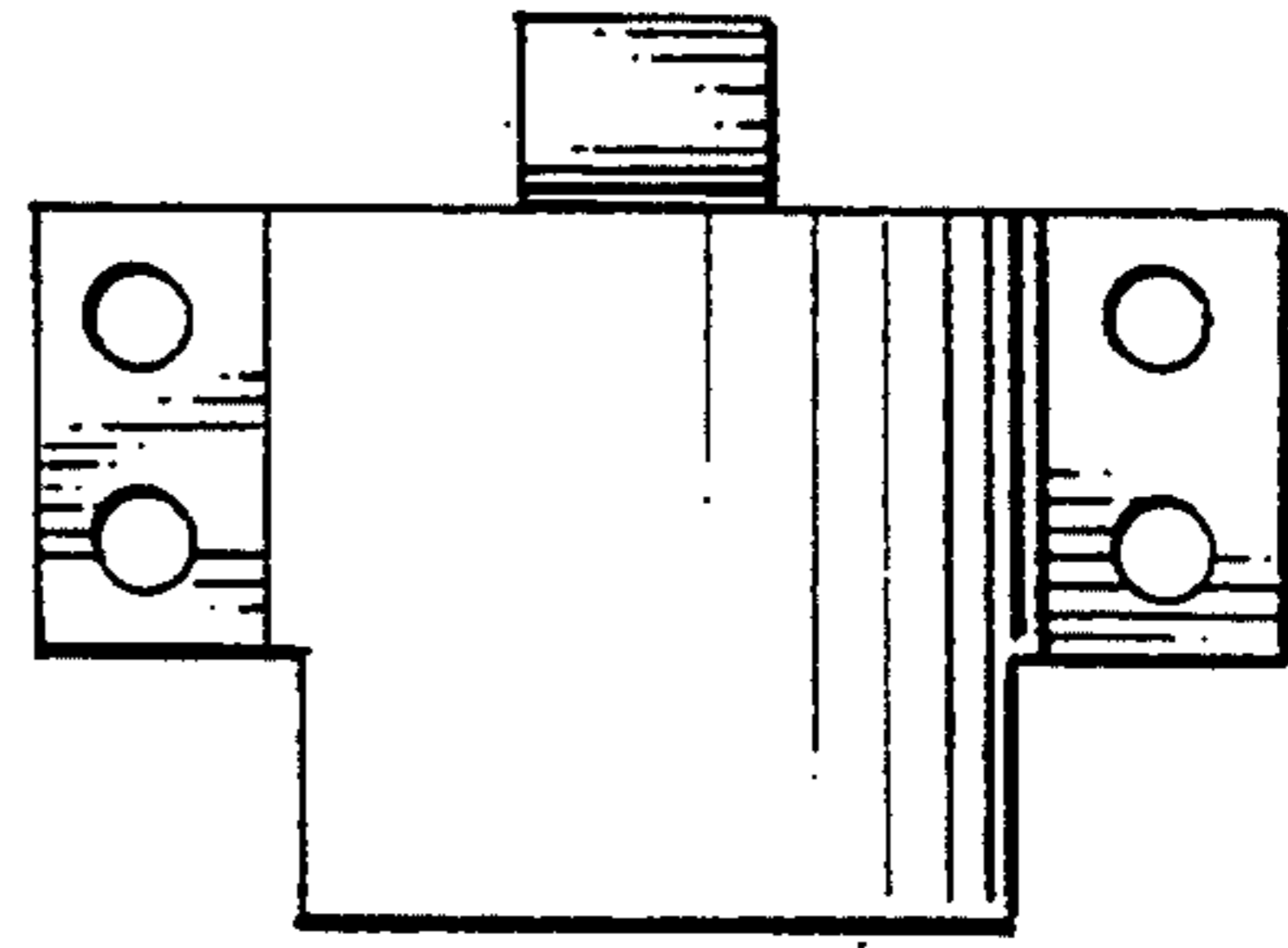


Fig. 7

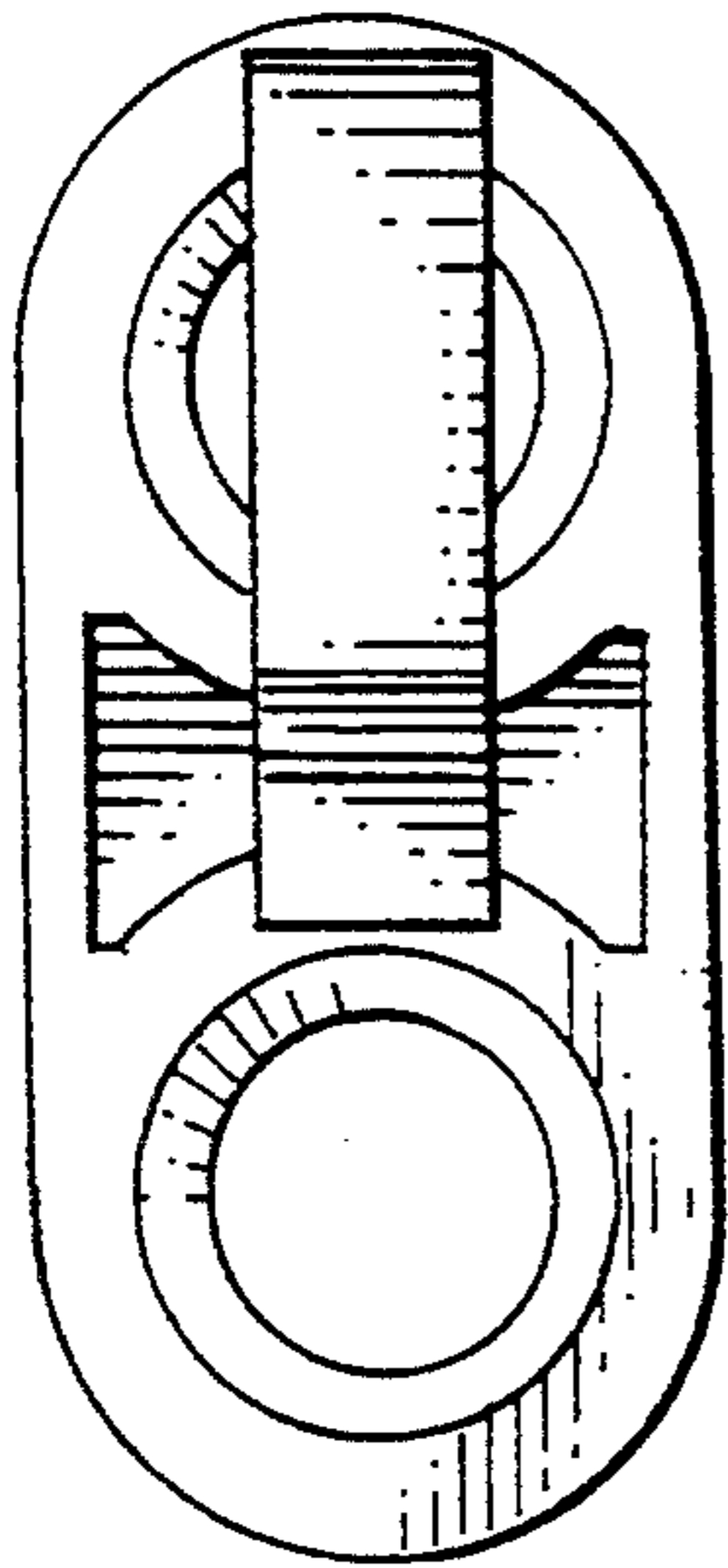


Fig. 4

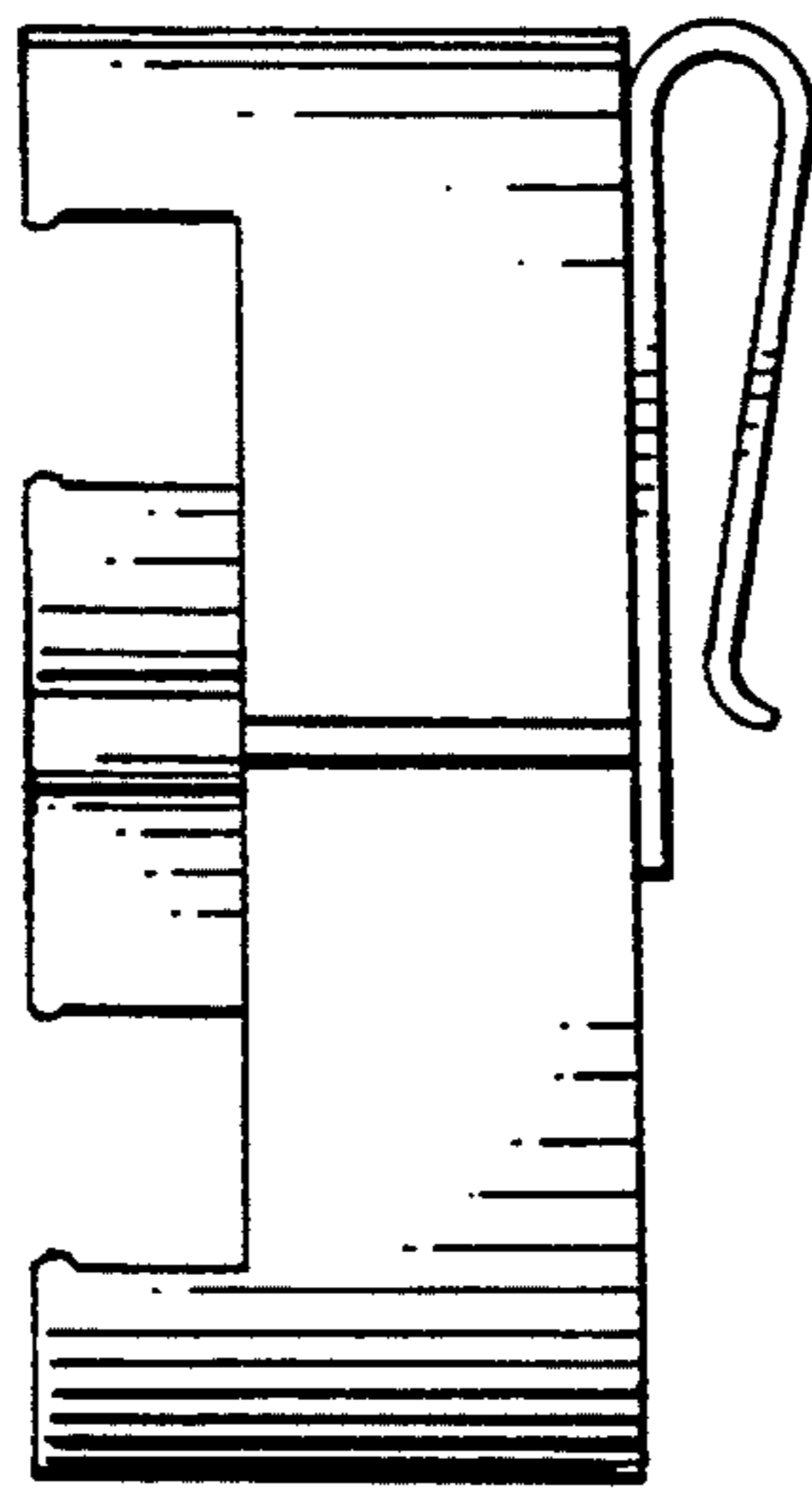


Fig. 3

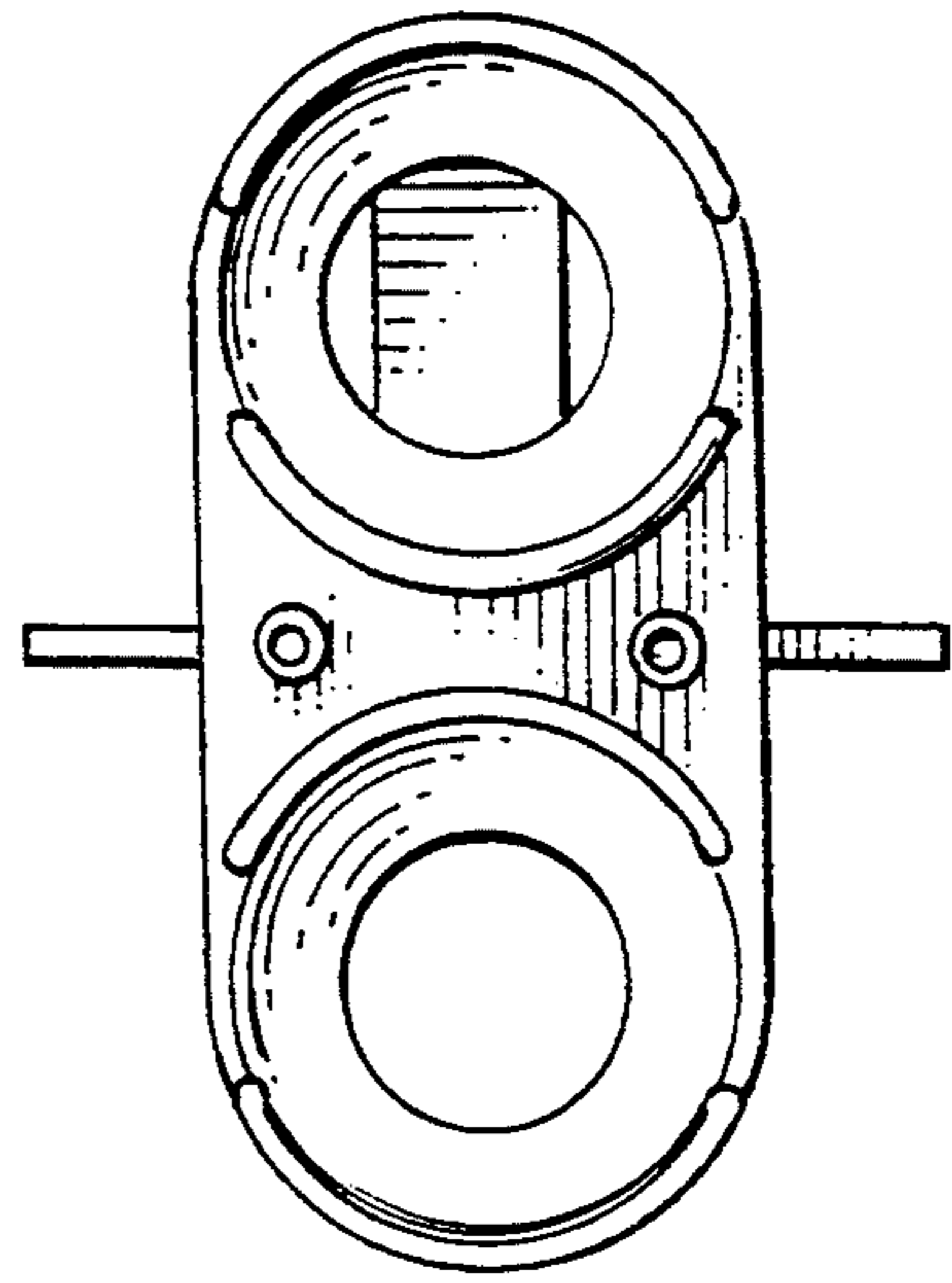


Fig. 2

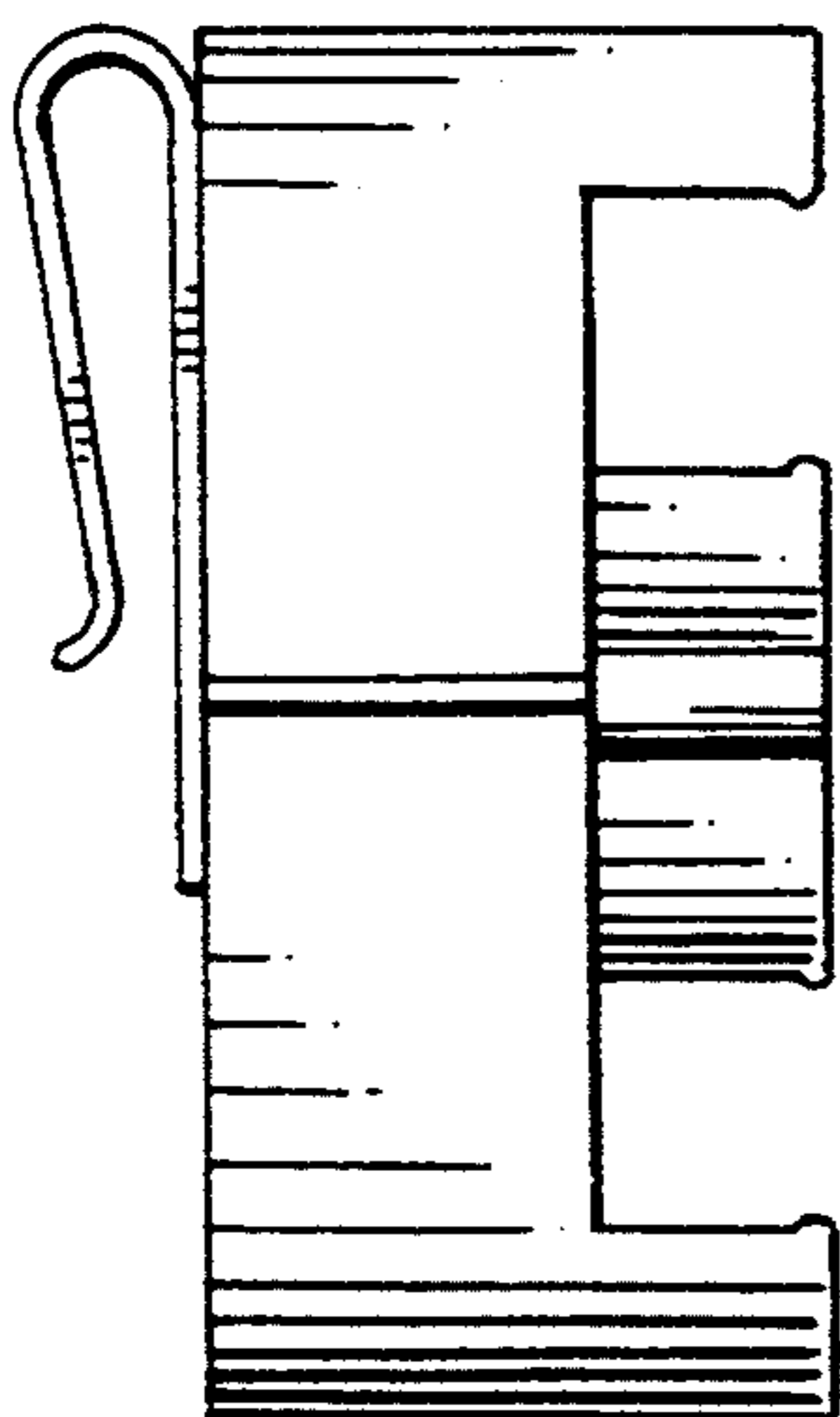


Fig. 6

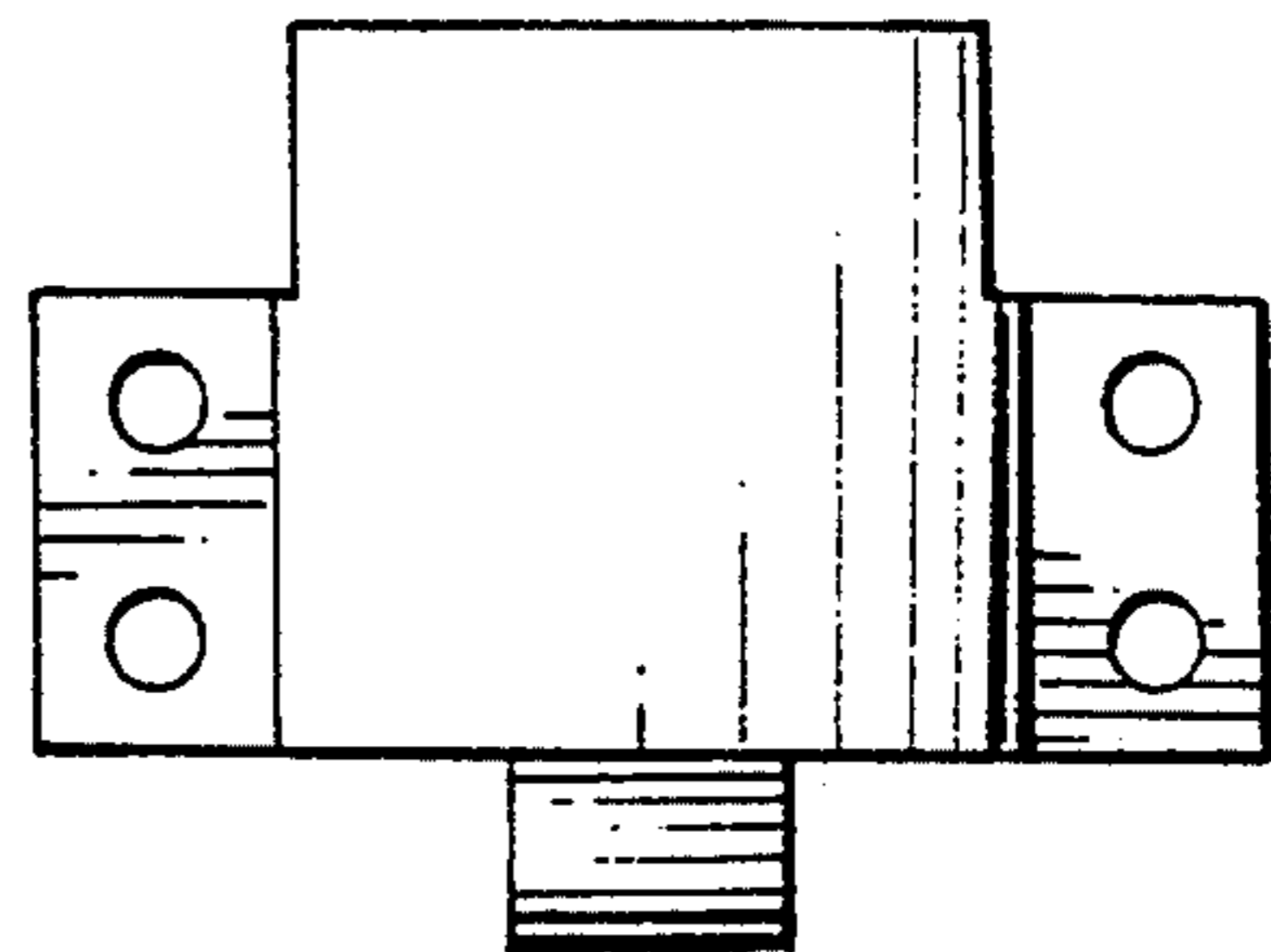


Fig. 5