



US00D349549S

# United States Patent [19] DeMichele

[11] Patent Number: **Des. 349,549**  
[45] Date of Patent: **\*\* Aug. 9, 1994**

## [54] GOLF ACCESSORY CARRYING DEVICE

- [75] Inventor: **Christopher J. DeMichele,**  
Washington Township, N.J.
- [73] Assignee: **Centsible Designs, Inc.,** Westwood,  
N.J.
- [\*\*] Term: **14 Years**
- [21] Appl. No.: **954,933**
- [22] Filed: **Sep. 30, 1992**
- [52] U.S. Cl. .... **D21/234; D3/254**
- [58] Field of Search ..... **D3/104; 224/918, 919,**  
**224/274; 206/315.1, 315.9; 273/32 D;**  
**D21/223, 234**

## [56] References Cited

### U.S. PATENT DOCUMENTS

D. 314,222	1/1991	Viguers et al. ....	D21/234
D. 333,858	3/1993	Pitz .....	D21/234
2,782,971	2/1957	Hershey .....	224/274
3,062,422	11/1962	Lord .....	224/274
3,156,000	11/1964	Westhoff .....	224/274
5,004,137	4/1991	Wu .....	224/919
5,074,448	12/1991	Wu .....	224/919

## OTHER PUBLICATIONS

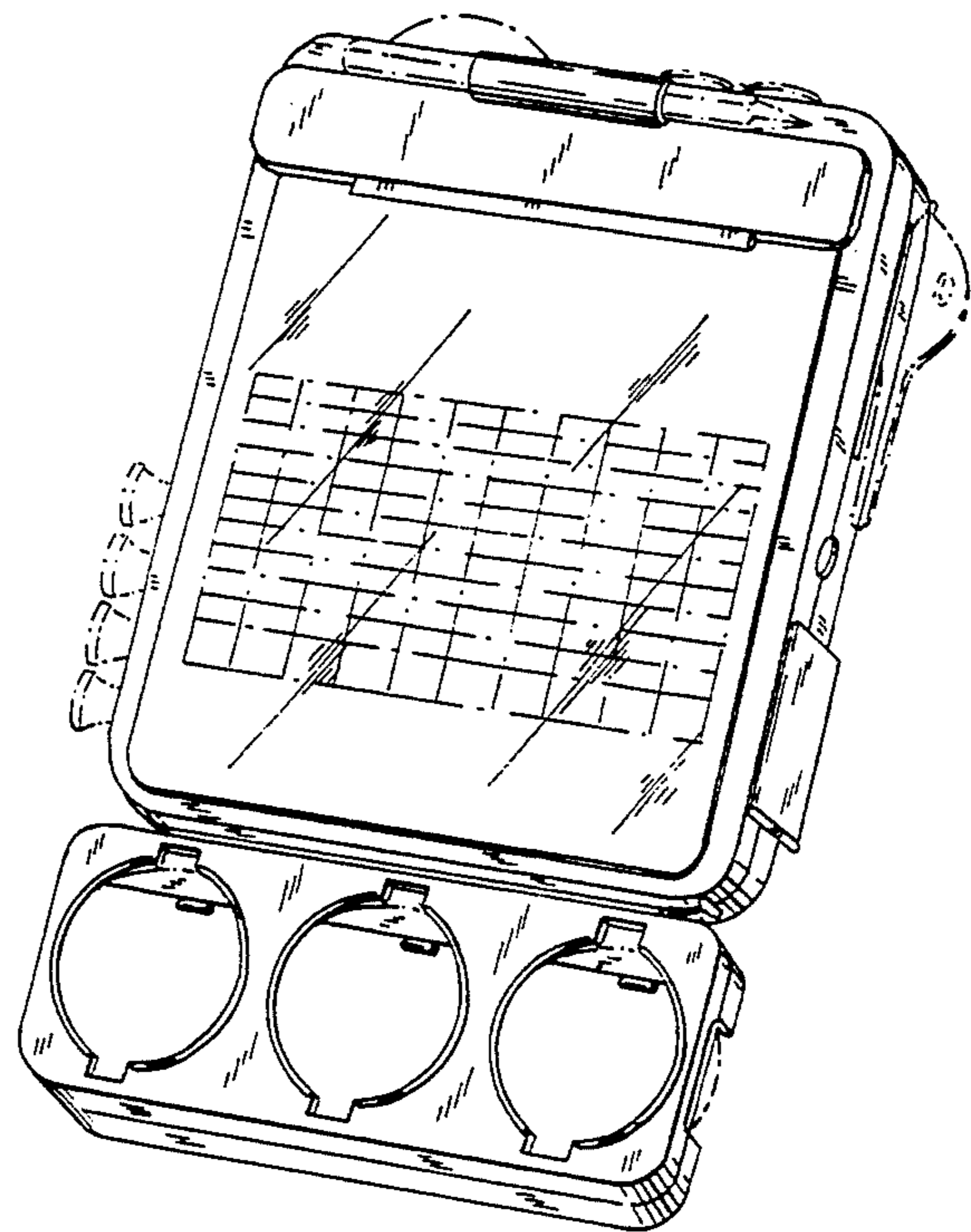
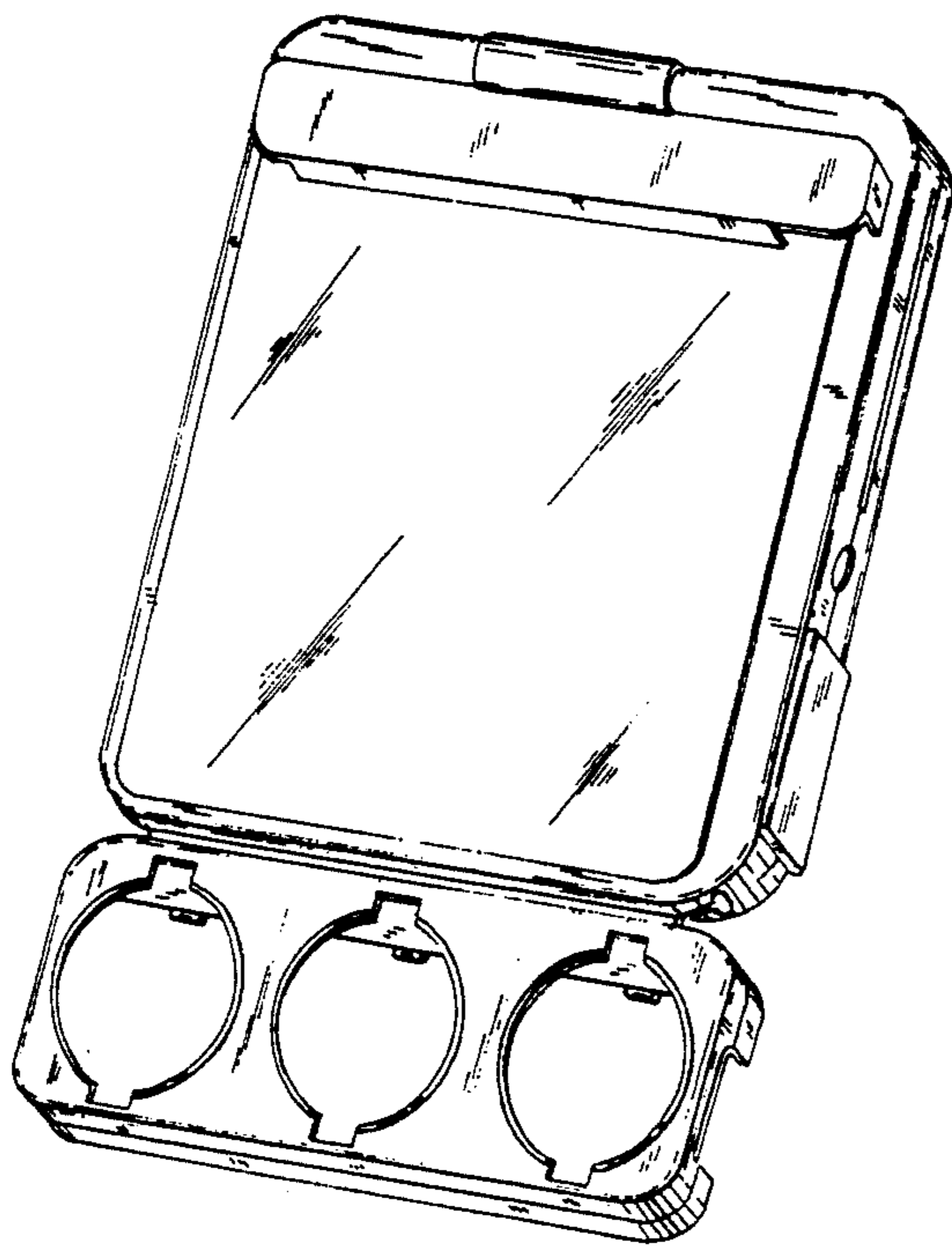
Advertisement for various golf accessory carrying devices, p. 47, Hornung's catalog, 1992 Items, A200, A333, HDIVOT 2.  
Advertisement for "EagleOne" Scorecaddy, Eagle--One Enterprises, Inc., 1992.  
*Primary Examiner*—B. J. Bullock  
*Attorney, Agent, or Firm*—Richard M. Goldberg

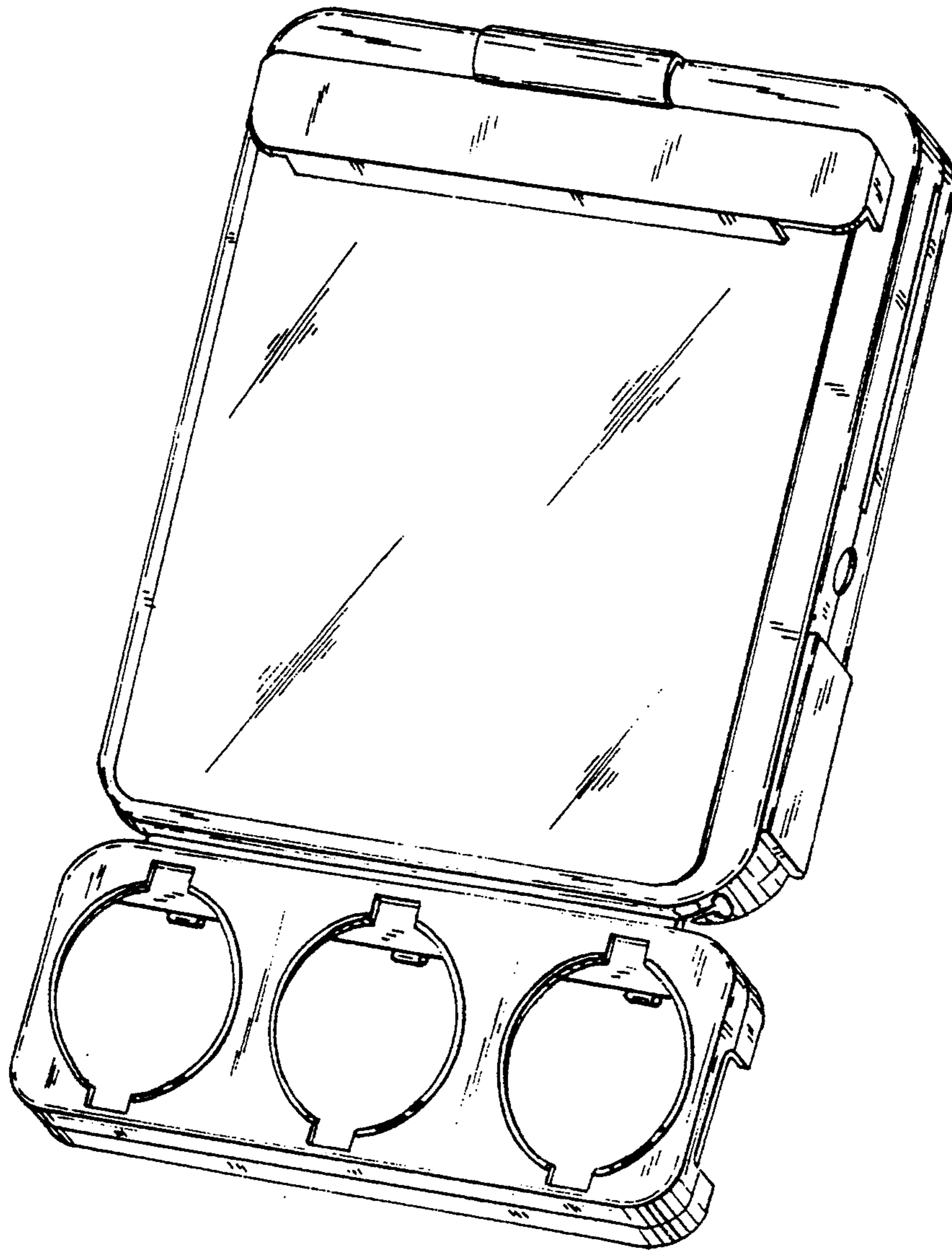
## [57] CLAIM

The ornamental design for a golf accessory carrying device, as shown and described.

## DESCRIPTION

FIG. 1 is a front perspective view of the golf accessory carrying device of my new design;  
FIG. 2 is a front elevational view thereof;  
FIG. 3 is a left side elevational view thereof;  
FIG. 4 is a right side elevational view thereof;  
FIG. 5 is a rear elevational view thereof;  
FIG. 6 is a top plan view thereof;  
FIG. 7 is a bottom plan view thereof; and,  
FIG. 8 is a front perspective view thereof, with the accessories shown in phantom for illustrative purposes only and forming no part of the claimed design.





**FIG. 1**

FIG.3

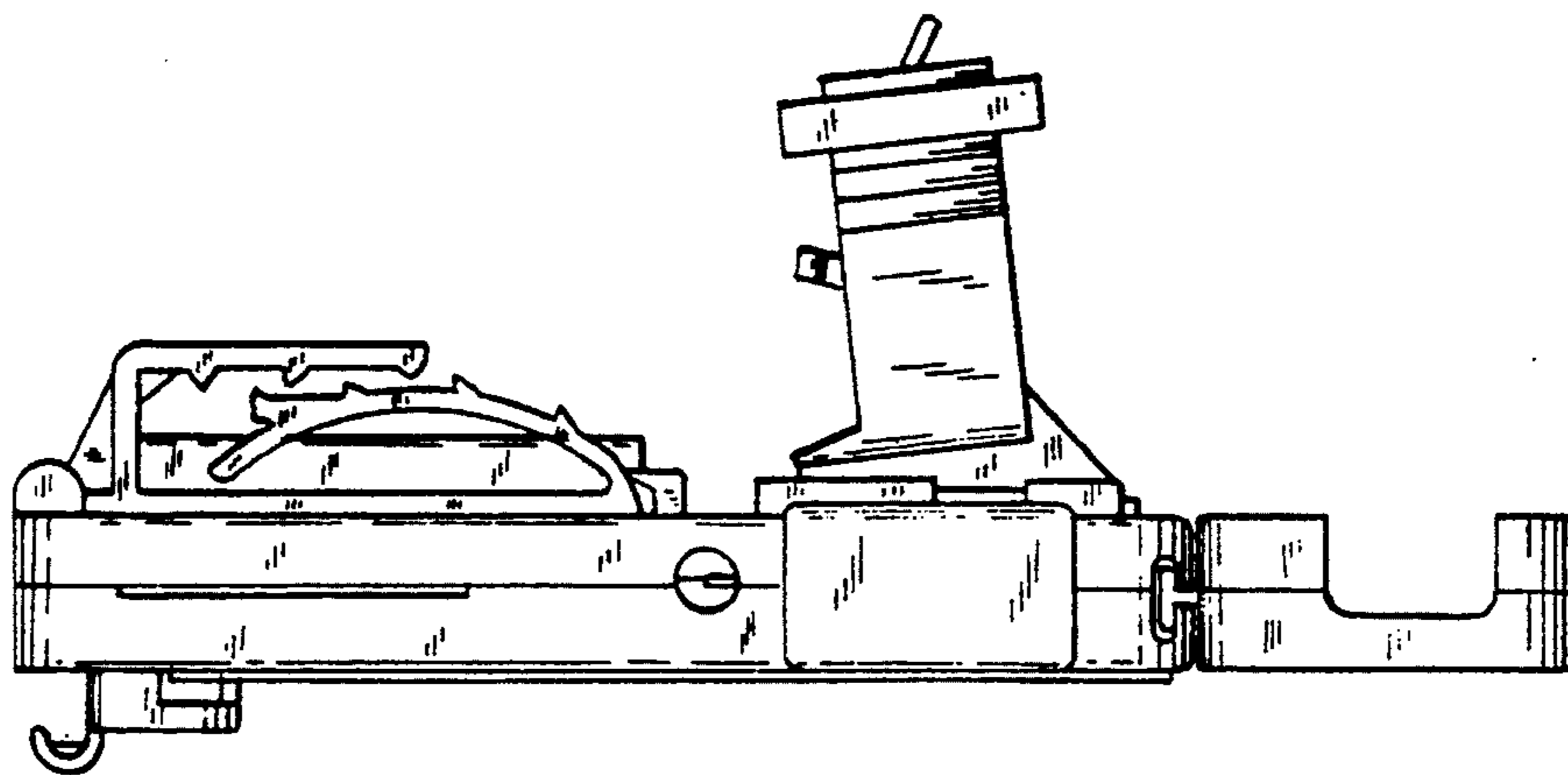


FIG.2

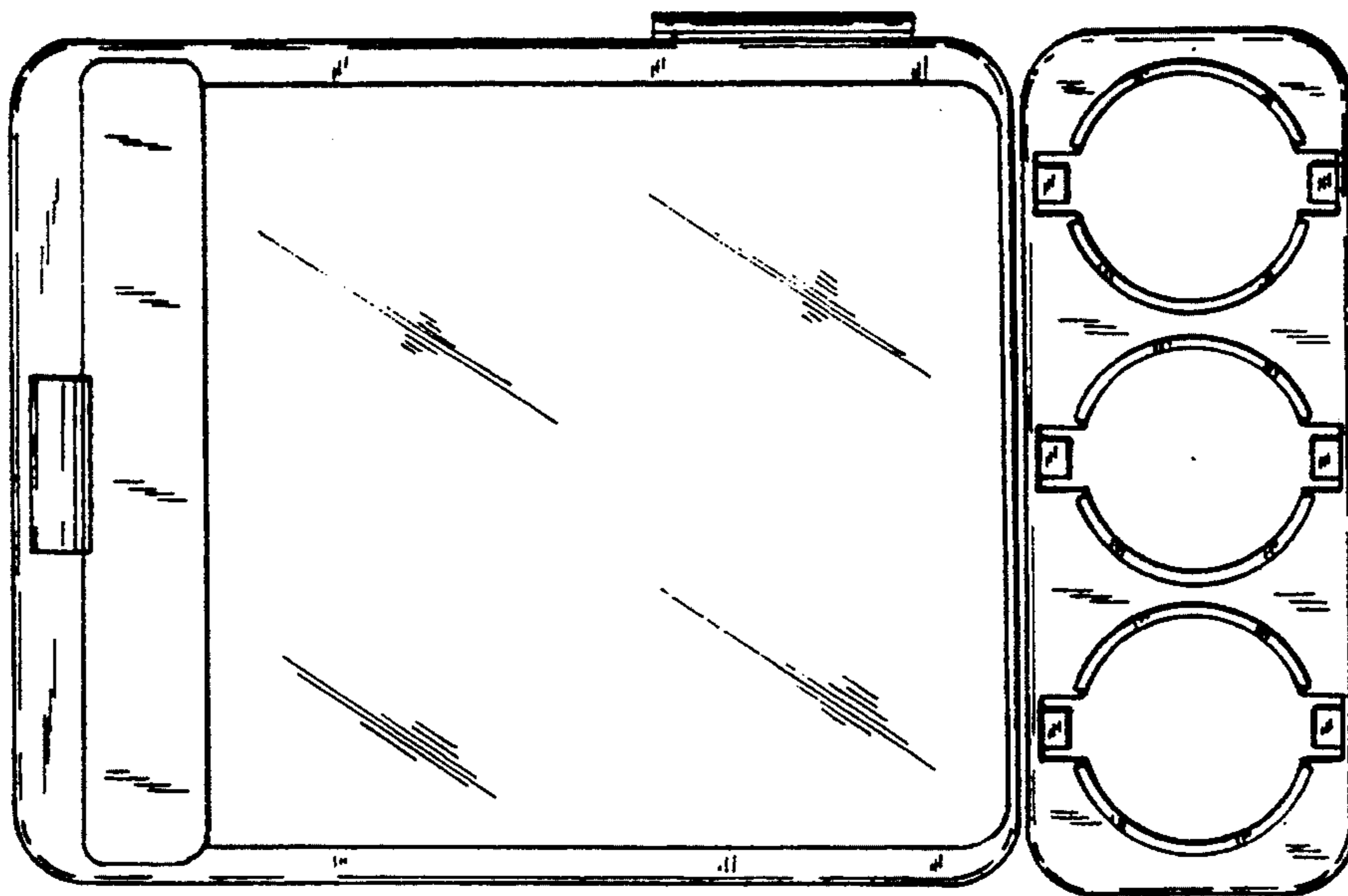
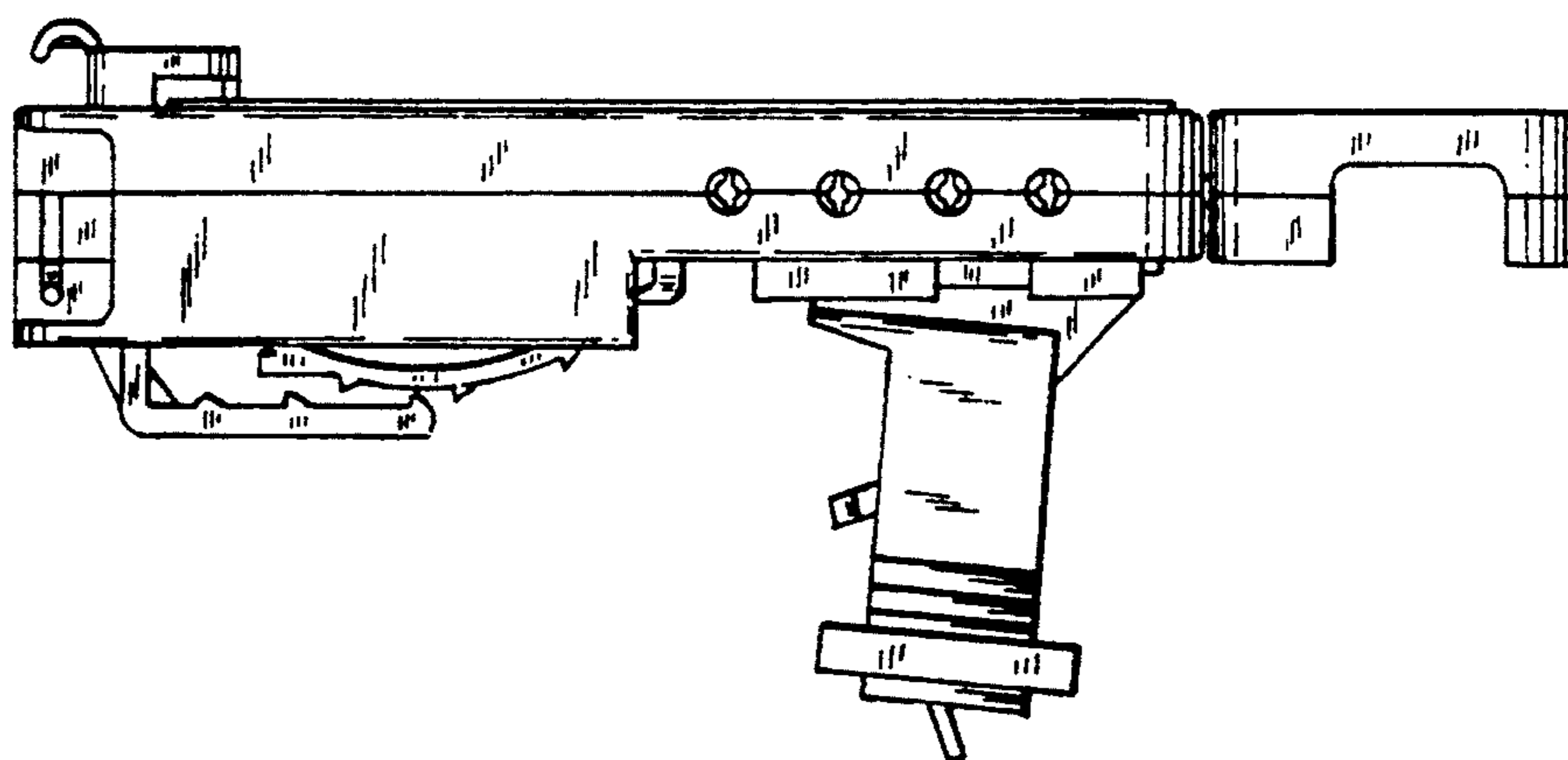
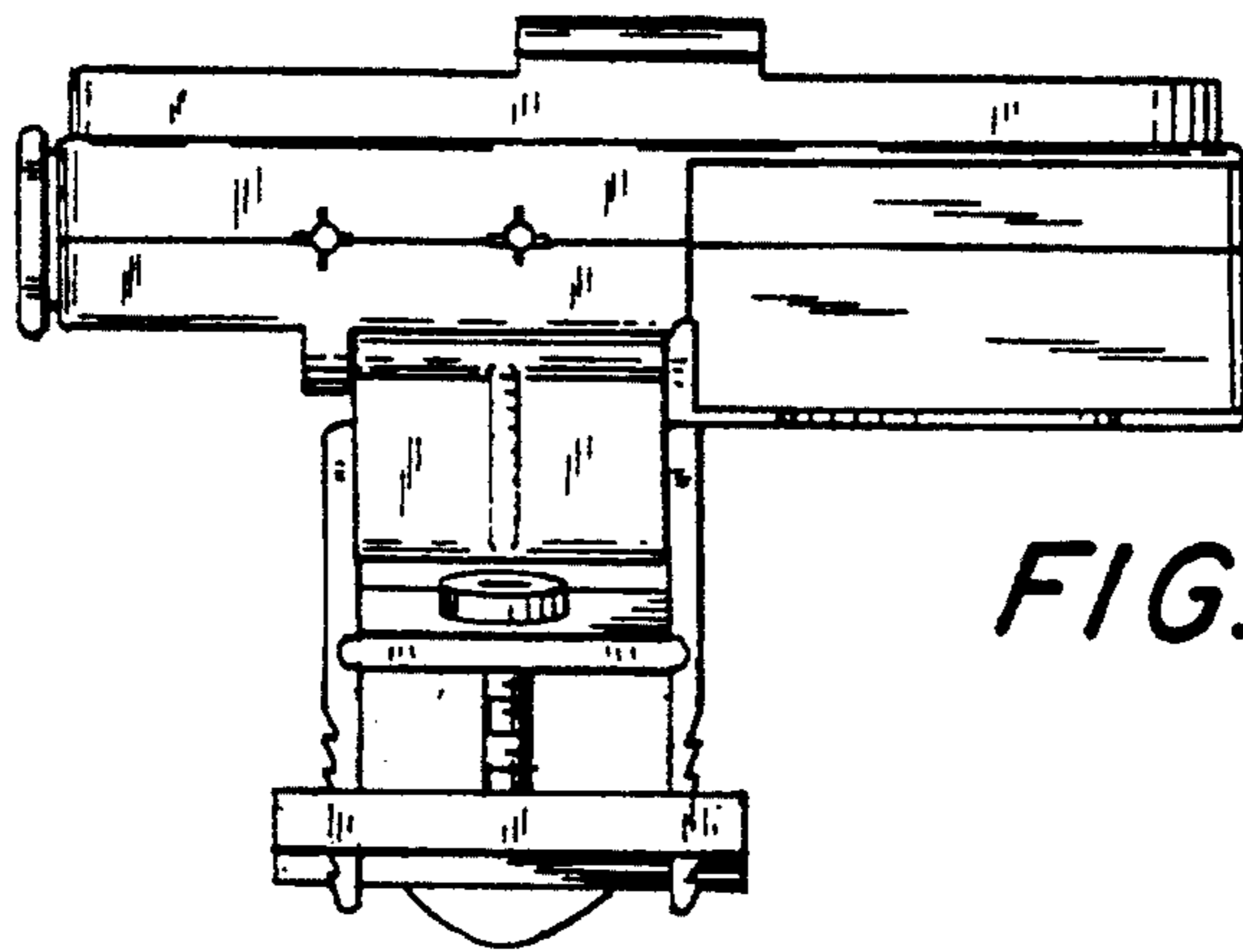
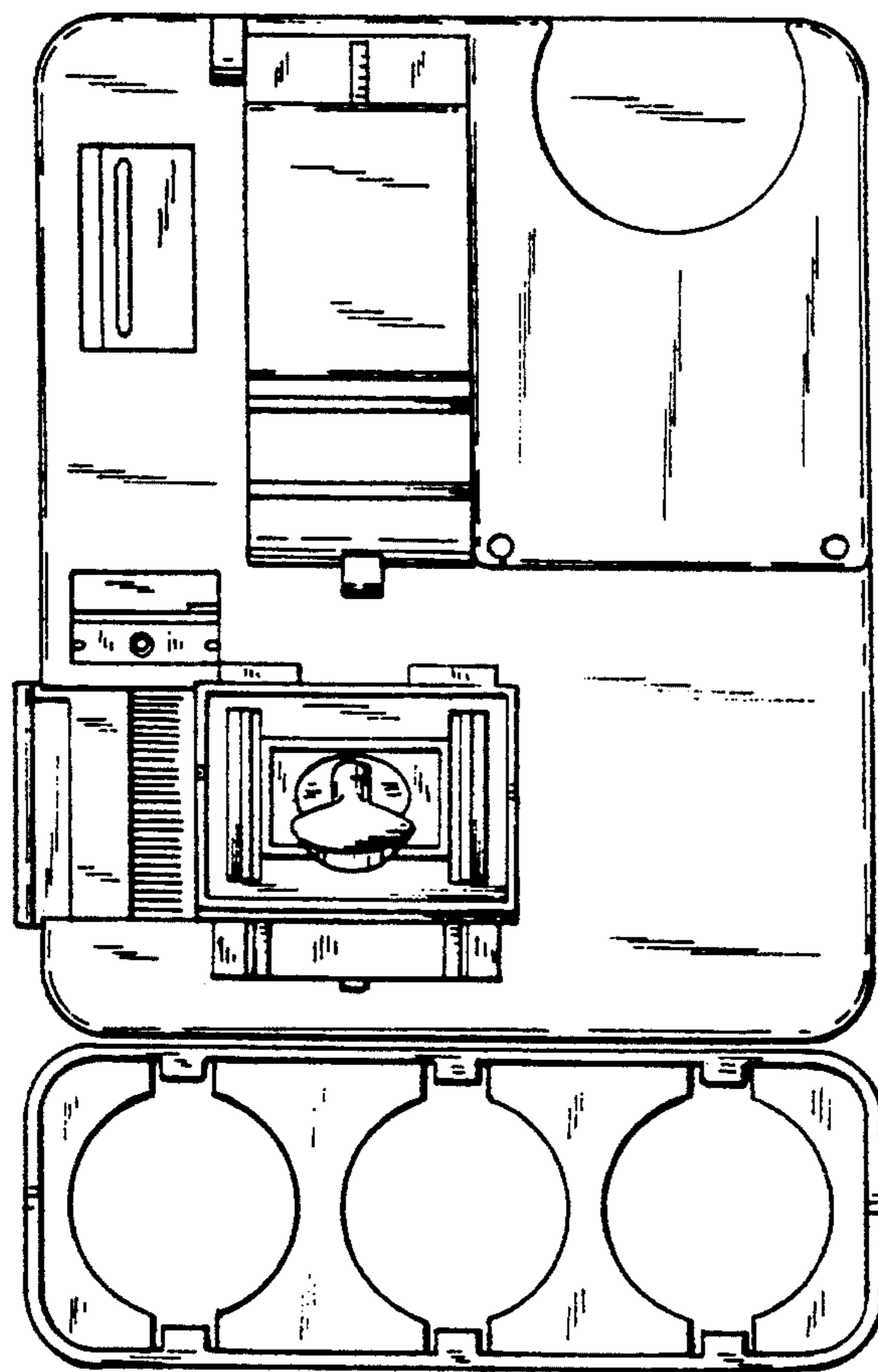


FIG.4

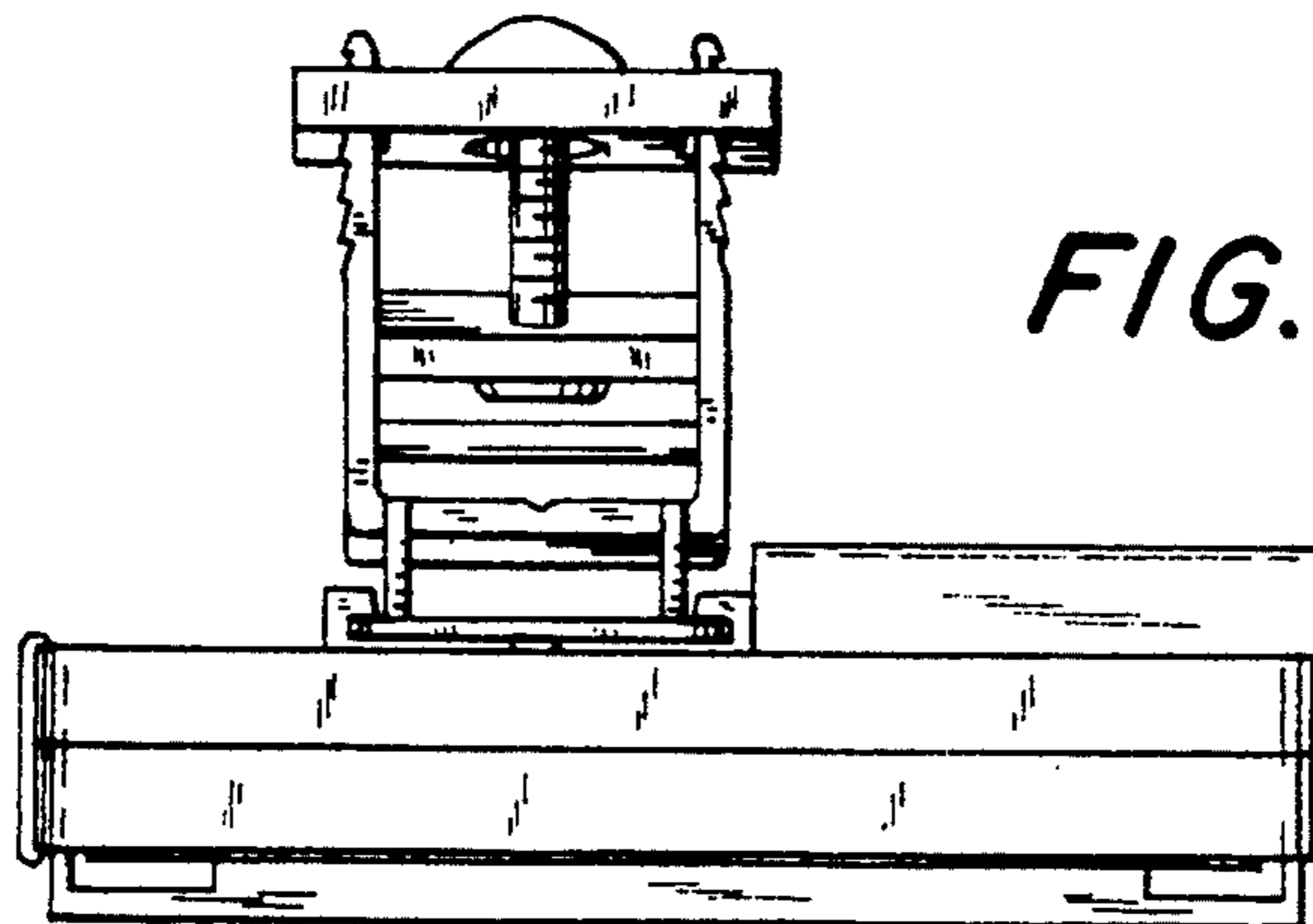




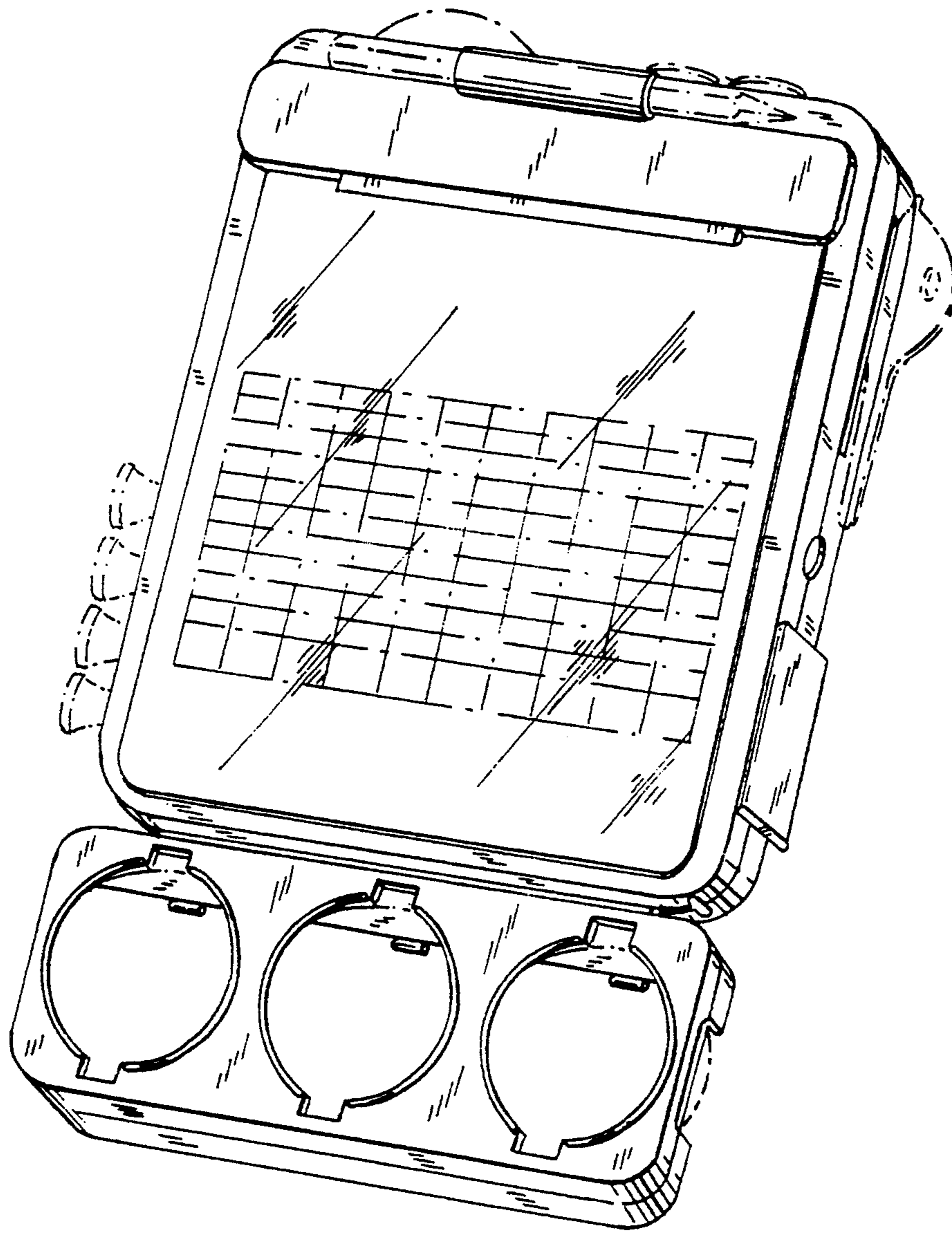
*FIG. 6*



*FIG. 5*



*FIG. 7*



**FIG. 8**