



US00D349548S

# United States Patent [19] Armstrong

[11] Patent Number: **Des. 349,548**

[45] Date of Patent: **\*\* Aug. 9, 1994**

[54] **GOLF SWING ALIGNMENT AID**

[75] Inventor: **Walter E. Armstrong, Maitland, Fla.**

[73] Assignee: **Wally Armstrong Golf, Inc., Paoli, Pa.**

[\*] Notice: The portion of the term of this patent subsequent to Jun. 7, 2008 has been disclaimed.

[\*\*] Term: **14 Years**

[21] Appl. No.: **948,768**

[22] Filed: **Sep. 14, 1992**

### Related U.S. Application Data

[63] Continuation-in-part of Ser. No. 887,912, May 18, 1992, Pat. No. D. 347,673.

[52] U.S. Cl. .... **D21/234**

[58] Field of Search ..... 273/188 R, 189 R, 187.2; **D21/234**

[56] **References Cited**

### U.S. PATENT DOCUMENTS

3,672,682	6/1972	Yanagidaira .....	273/189 R
4,088,326	5/1978	Bifulco .....	273/188 R
4,273,336	6/1981	Larkey .....	273/189 R
4,883,276	11/1989	Brown .....	273/183 B
4,890,841	1/1990	Brooks .....	273/188 R
4,896,887	1/1990	Cable .....	273/189 R
5,040,798	8/1991	Leitao .....	273/189 R

*Primary Examiner*—B. J. Bullock  
*Attorney, Agent, or Firm*—Cislo & Thomas

[57] **CLAIM**

The ornamental design for a golf swing alignment aid, as shown and described.

### DESCRIPTION

FIG. 1 is a perspective view of my golf swing alignment aid;

FIG. 2 is an enlarged top plan view thereof;

FIG. 3 is an enlarged right side elevational view thereof, with the left side elevational view being a mirror image thereof;

FIG. 4 is an enlarged front elevational view thereof; and,

FIG. 5 is an enlarged bottom plan view thereof.

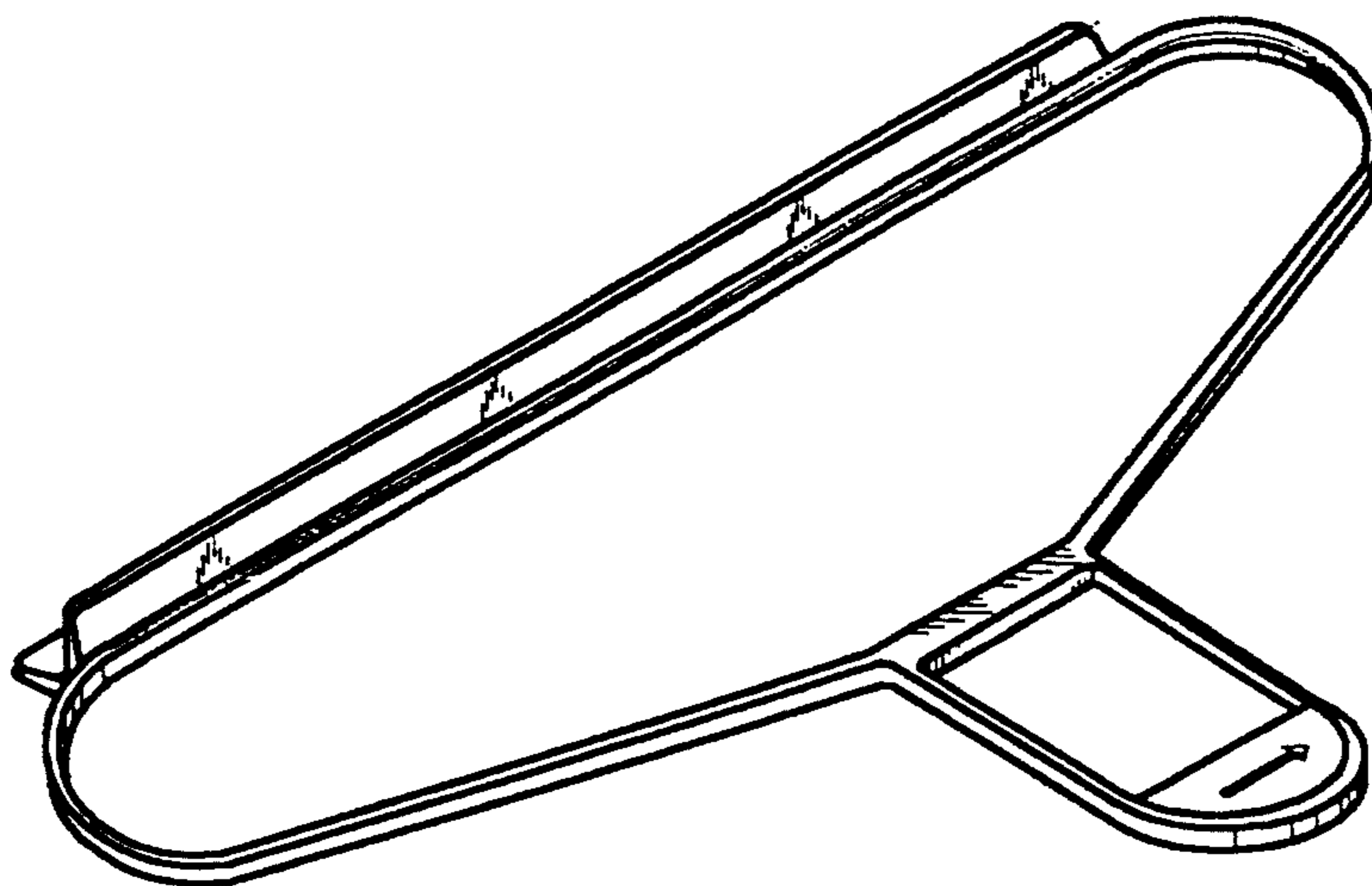


FIG. 1.

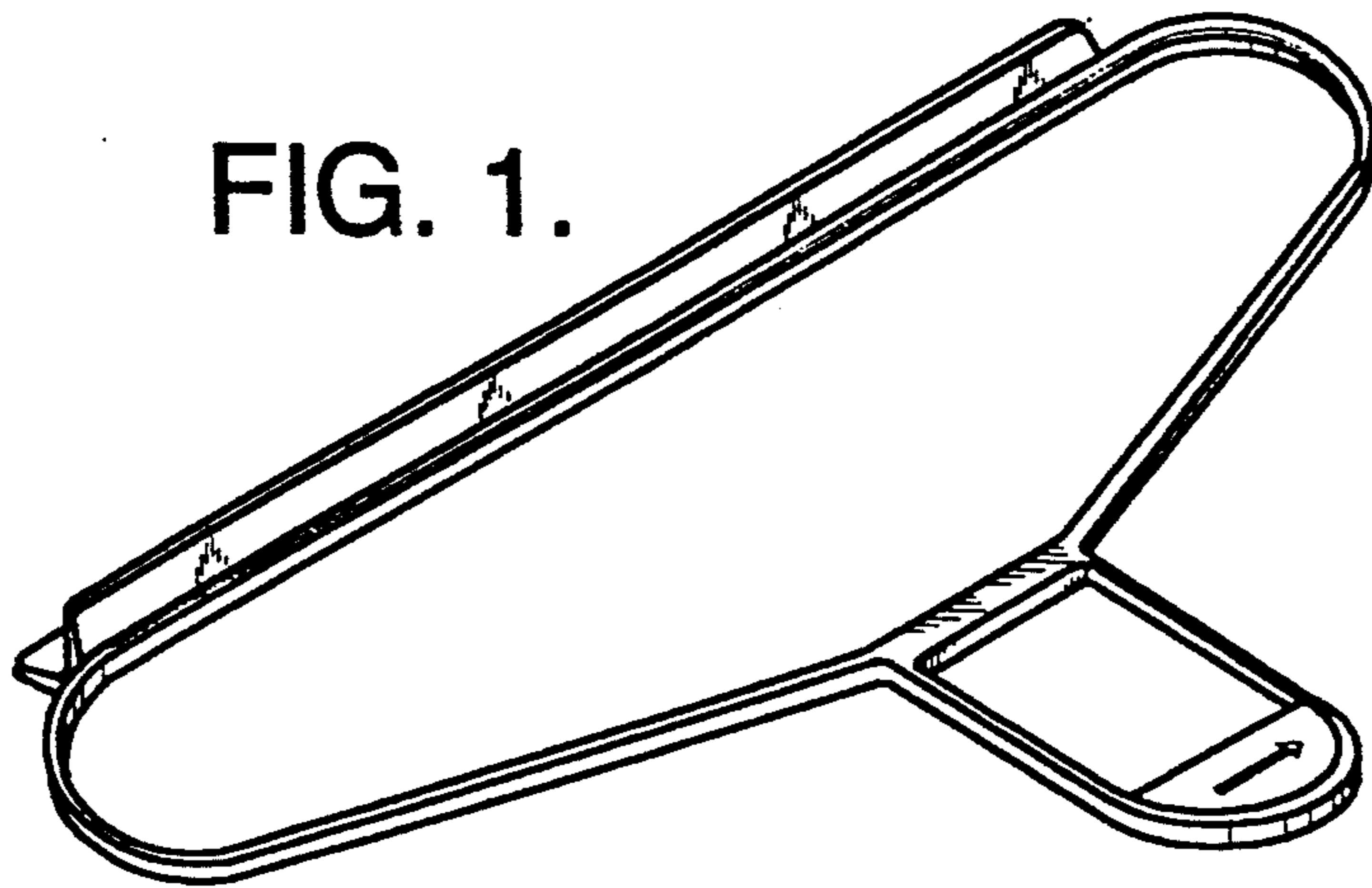


FIG. 2.

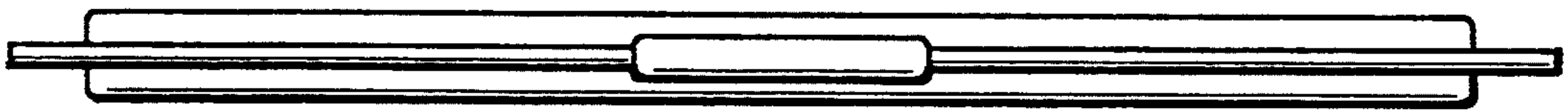


FIG. 3.



FIG. 4.

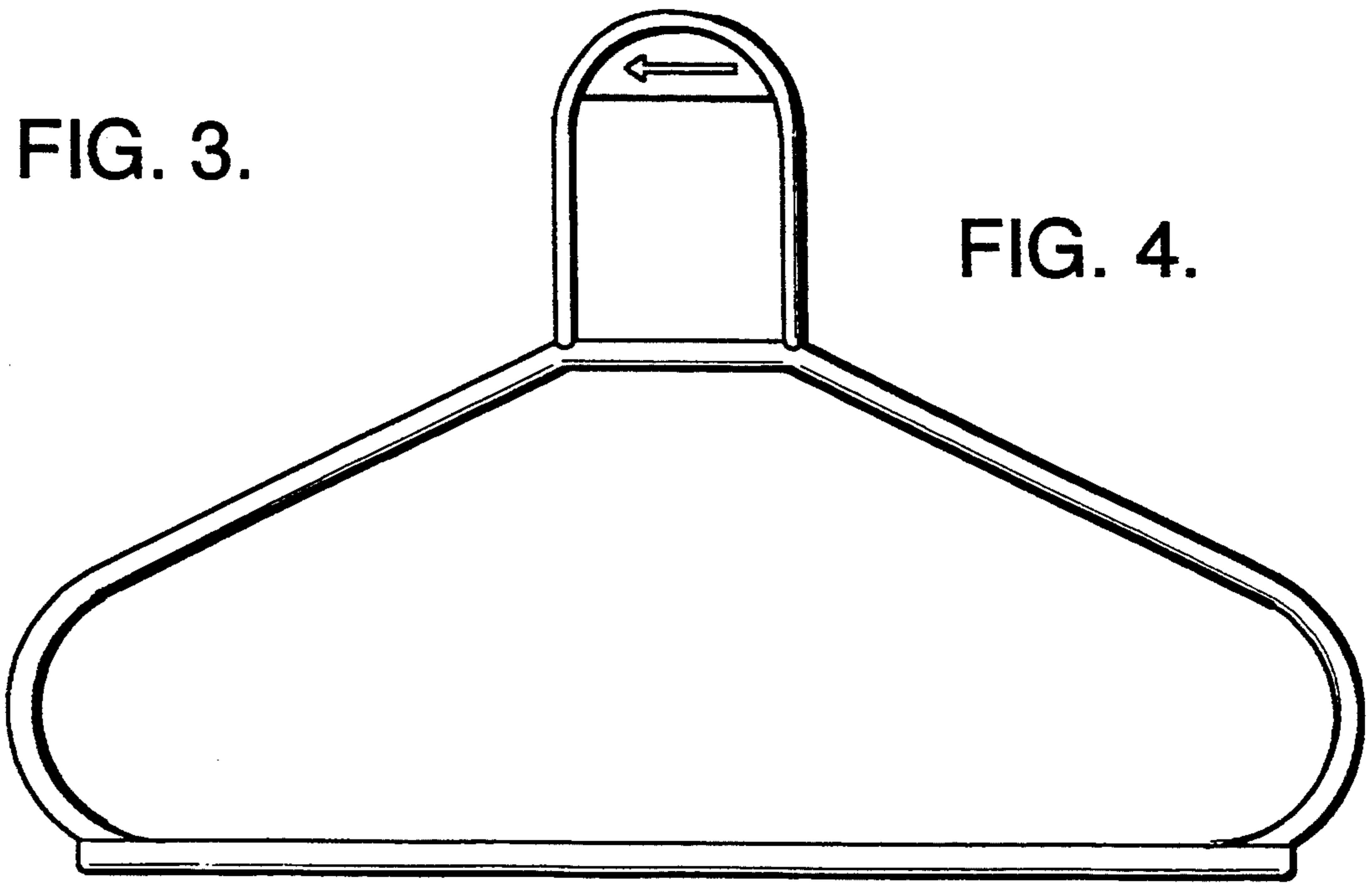


FIG. 5.

