



US00D349542S

United States Patent [19]

[11] Patent Number: **Des. 349,542**

Russell

[45] Date of Patent: **** Aug. 9, 1994**

[54] **STEPPING EXERCISER**

[76] Inventor: **Keith A. Russell**, Rio Guadalquivir #1043 Sur Colonia "Los Nogales" Cd. Juarez, Chihuahua, Mexico, 32350

[**] Term: **14 Years**

[21] Appl. No.: **895,397**

[22] Filed: **Jun. 9, 1992**

[52] U.S. Cl. **D21/194; D21/191**

[58] Field of Search 482/51, 52, 53, 79, 482/80, 111, 112, 113; D21/191, 194, 195

[56] **References Cited**

U.S. PATENT DOCUMENTS

D. 281,343	12/1985	Krive	D21/192
2,253,996	8/1941	Bechman .	
3,511,500	5/1970	Dunn .	
3,598,404	8/1971	Bowman	482/80
3,747,924	7/1973	Champoux .	
3,758,112	9/1973	Crum .	
4,306,714	12/1981	Loomis	482/79
4,371,160	2/1983	Shooltz	482/79
4,496,147	1/1985	DeCloux et al.	482/53

4,563,001	1/1986	Terauds	482/53
4,600,187	7/1986	Schenker .	
4,629,181	12/1686	Krive .	
4,733,858	3/1988	Lan	482/52
5,004,224	4/1991	Wang	482/52
5,054,770	10/1991	Bull	482/52

FOREIGN PATENT DOCUMENTS

0073744	3/1983	European Pat. Off. .
2243794	3/1974	Fed. Rep. of Germany .
2002808	10/1969	France .

Primary Examiner—Bernard Ansher

Assistant Examiner—Philip Hyder

[57] **CLAIM**

The ornamental design for a stepping exerciser, as shown.

DESCRIPTION

FIG. 1 is a perspective view of a stepping exerciser; FIG. 2 is a left side elevational view; FIG. 3 is a top plan view; FIG. 4 is a front elevational view; FIG. 5 is a right side elevational view; FIG. 6 is a bottom elevational view; and, FIG. 7 is a rear elevational view.

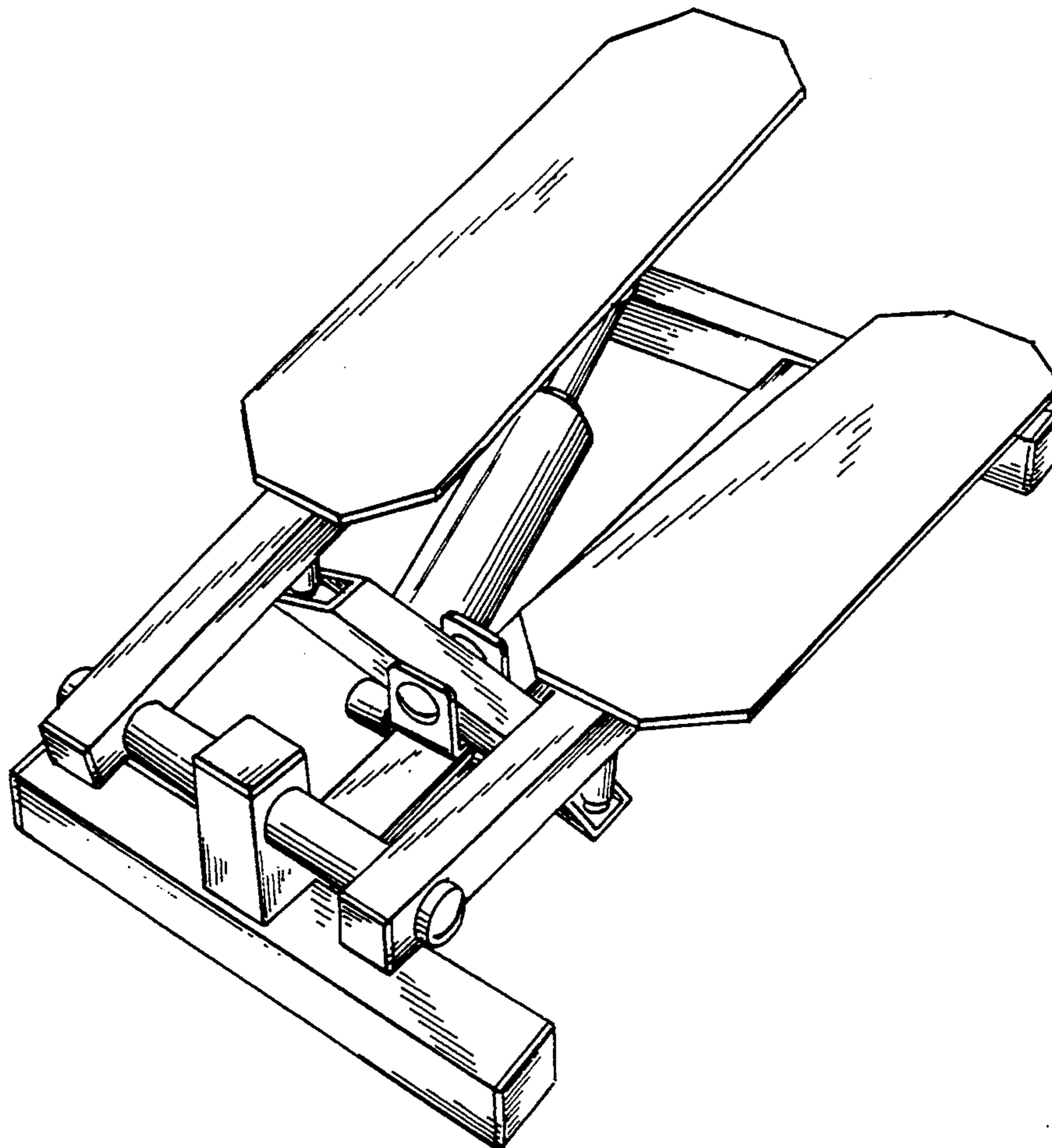


FIG. 1

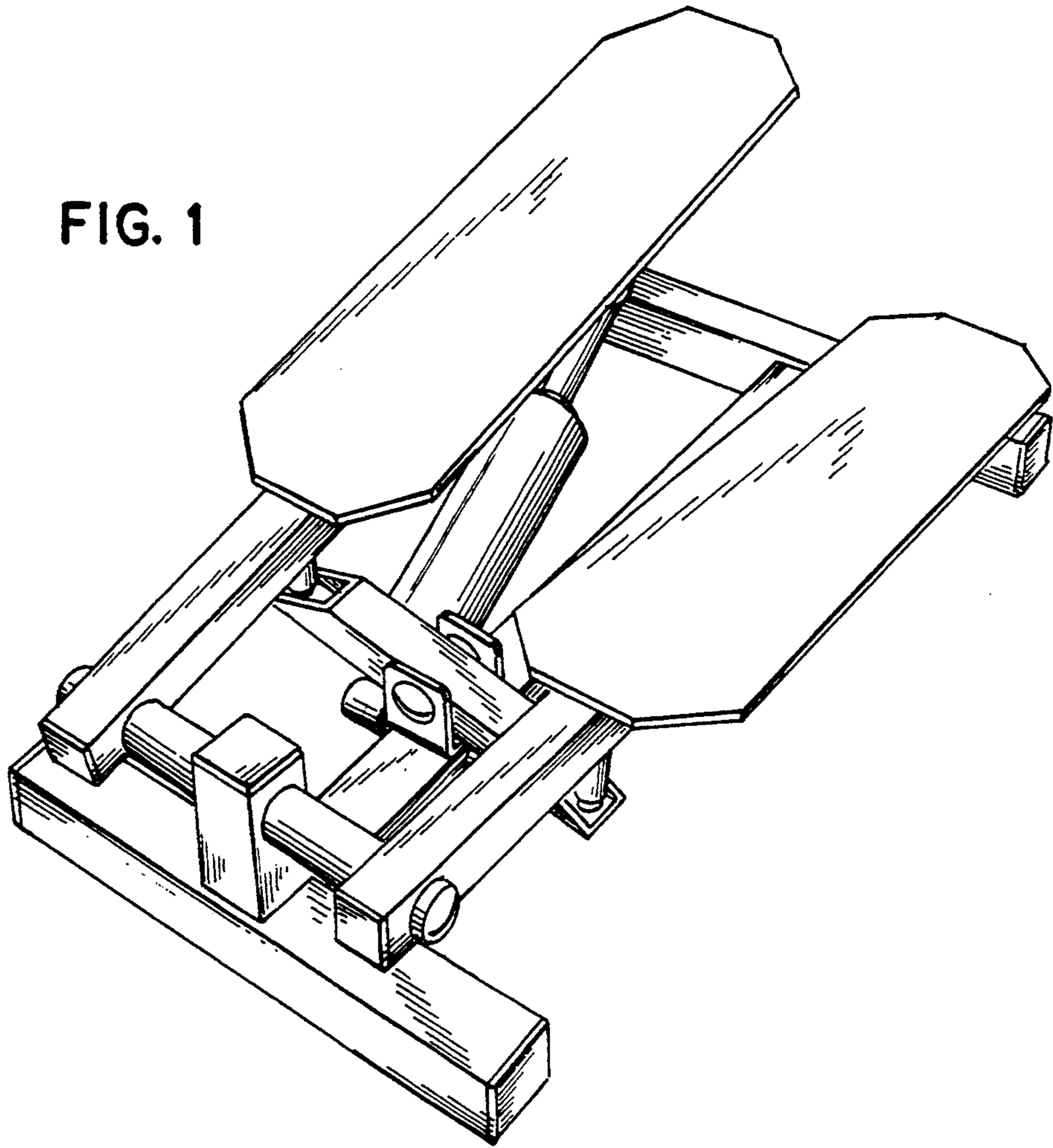
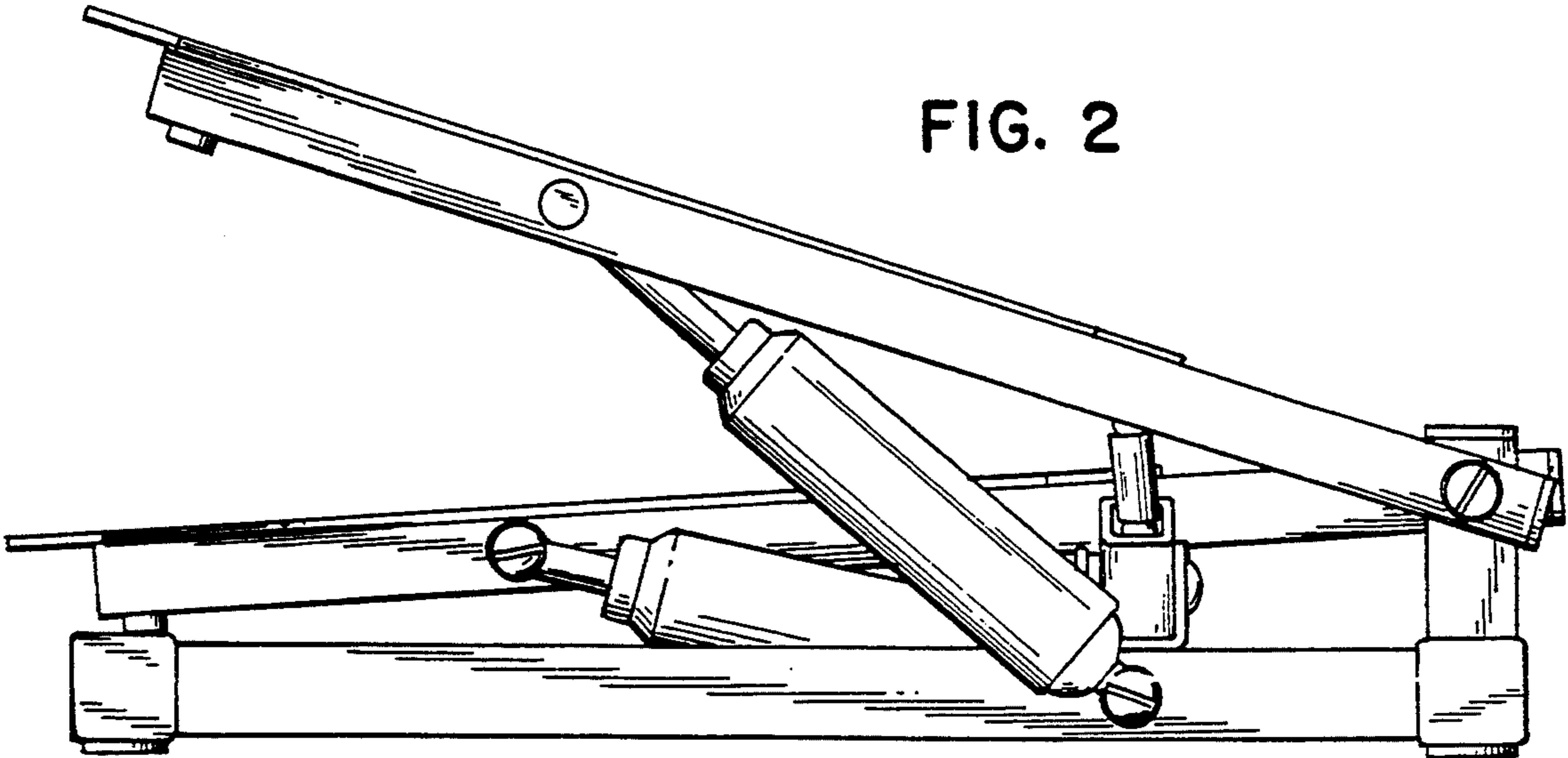


FIG. 2



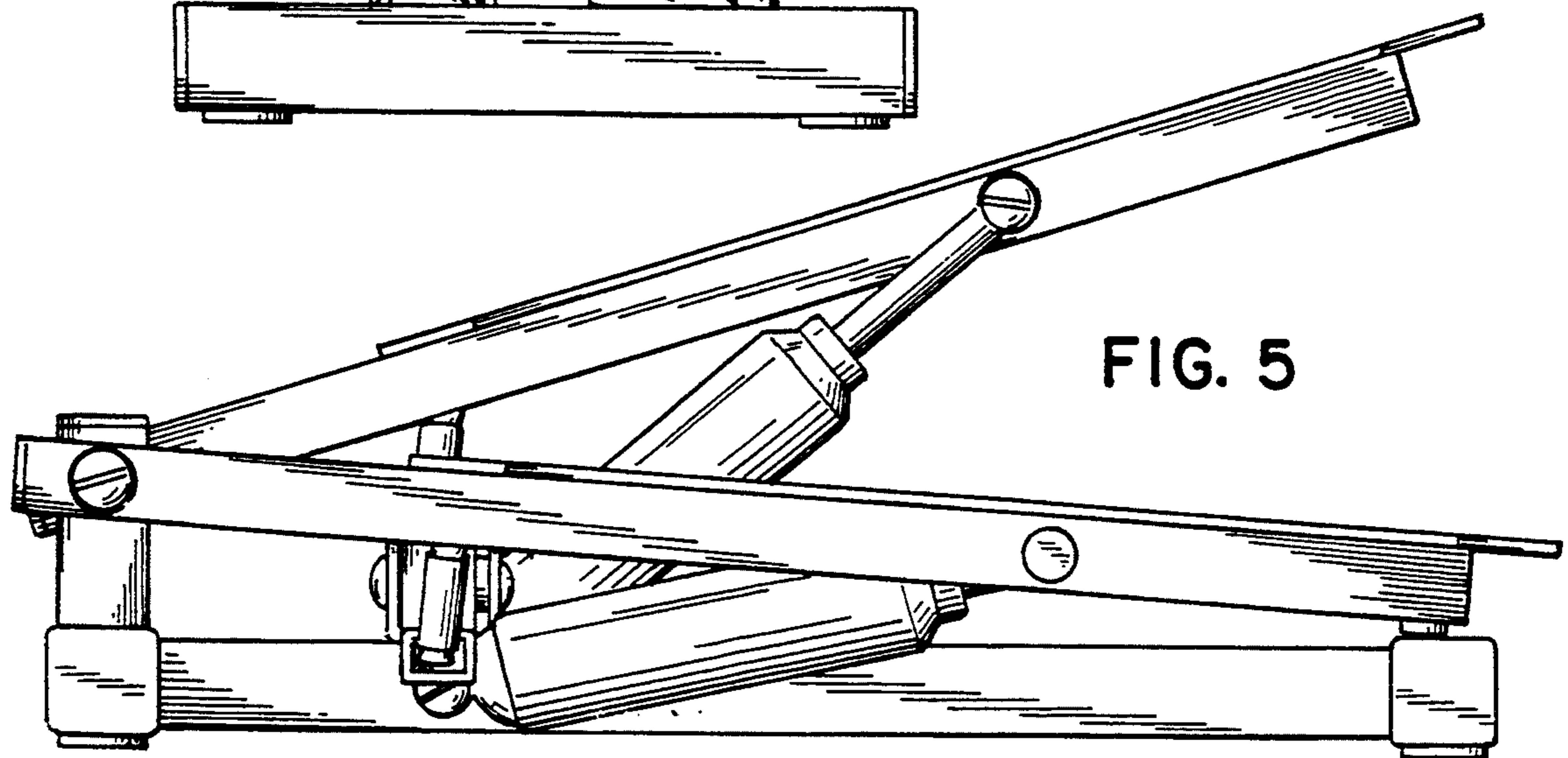
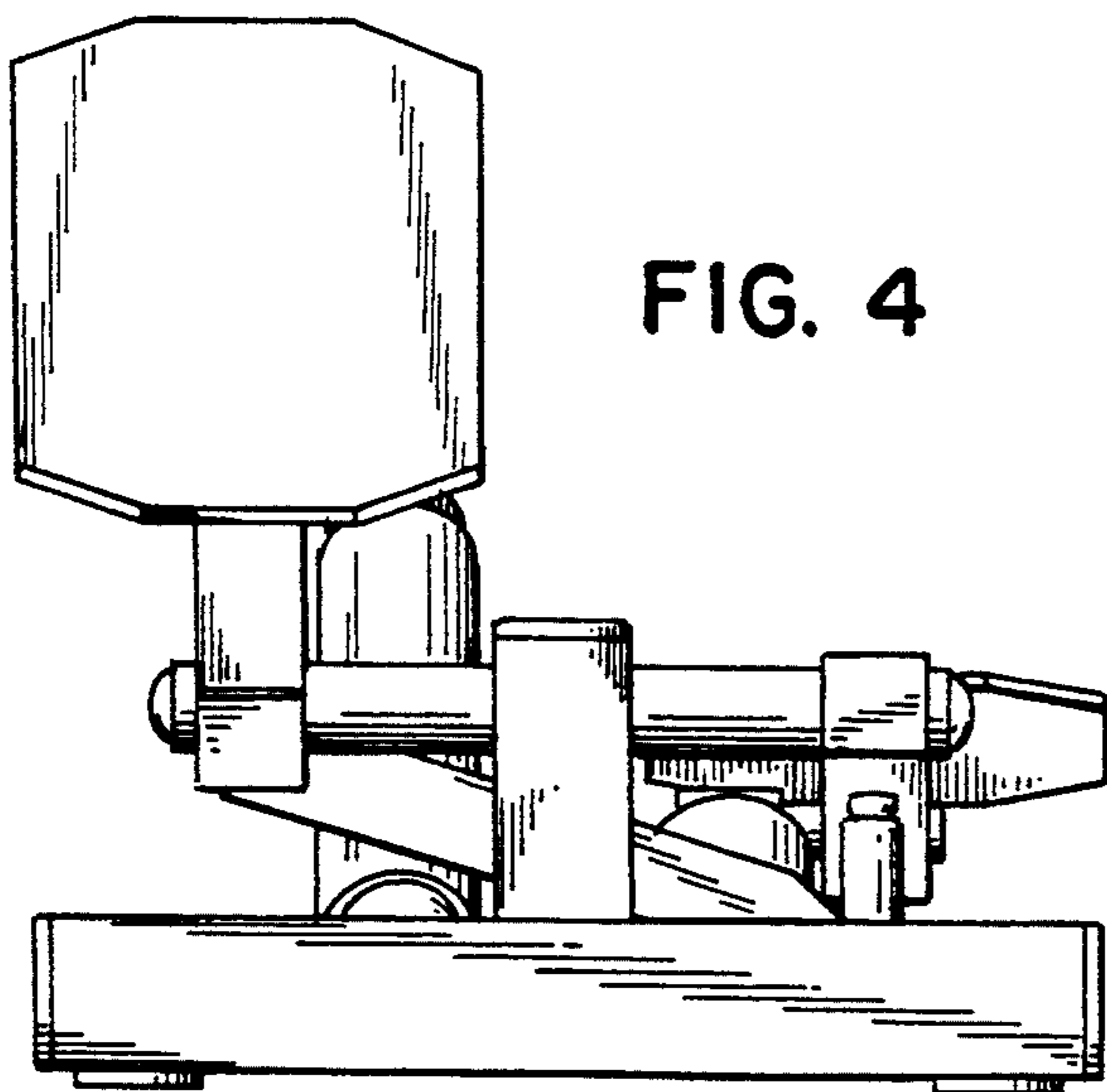
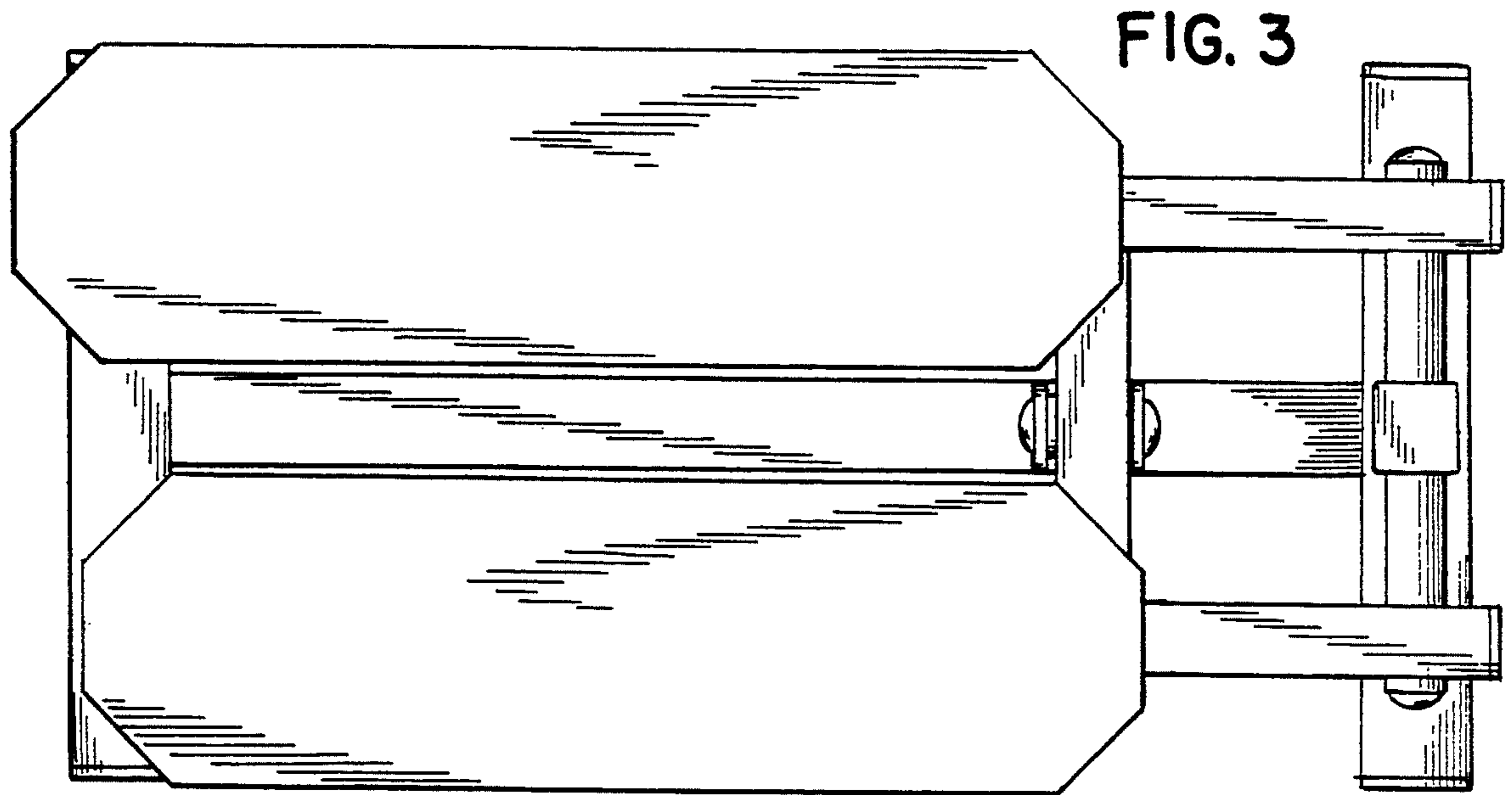


FIG. 6

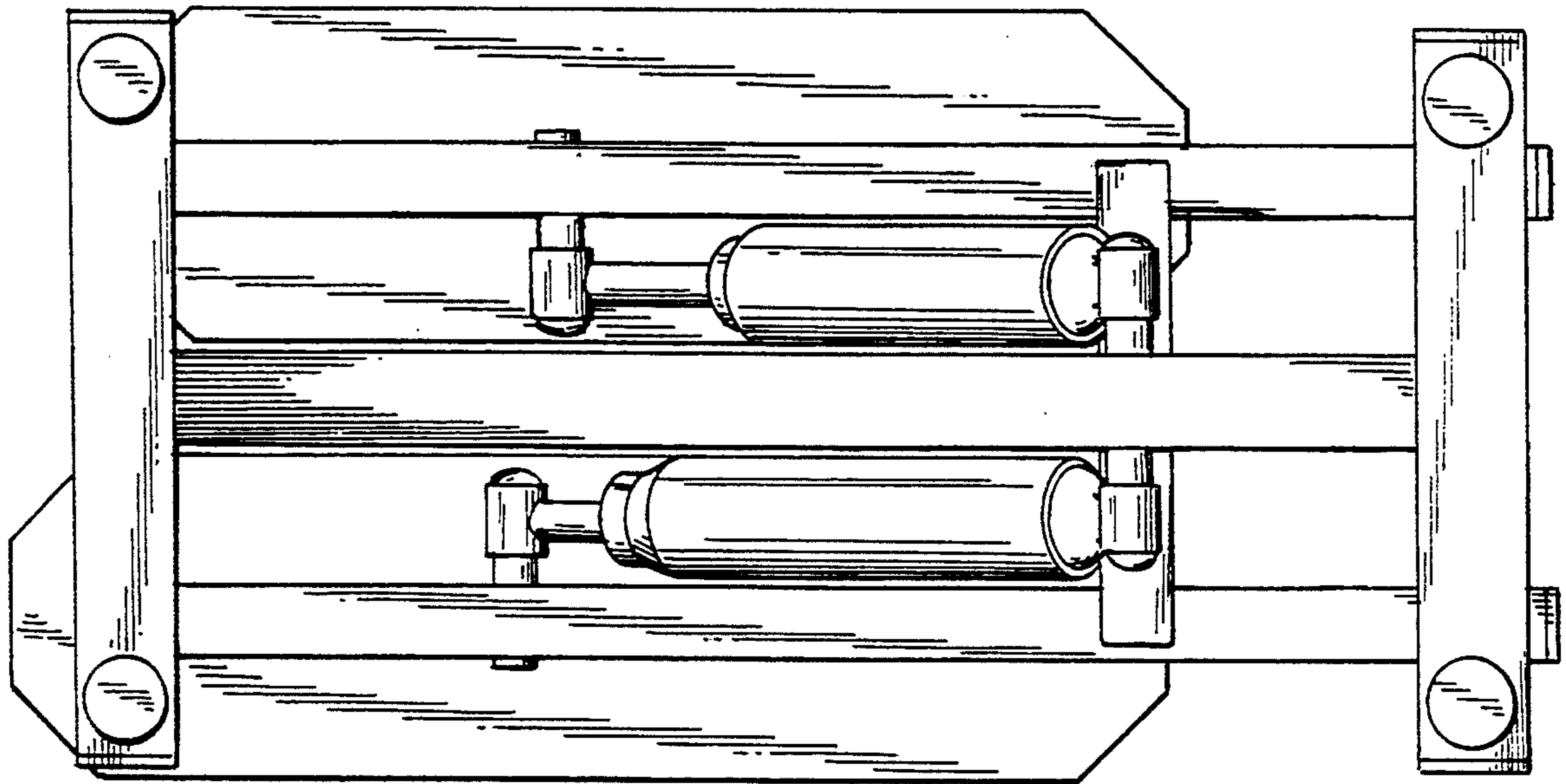


FIG. 7

