



US00D349540S

# United States Patent [19]

Hand et al.

[11] Patent Number: Des. 349,540

[45] Date of Patent: \*\* Aug. 9, 1994

[54] AQUATIC STEP EXERCISER

5,176,596 1/1993 Ullman ..... 482/52

[75] Inventors: Peter H. Hand, Atlanta; William J. Saunders, Lithonia; Eric Goldstein, Marietta, all of Ga.

Primary Examiner—Bernard Ansher  
Assistant Examiner—Philip Hyder  
Attorney, Agent, or Firm—Jones & Askew

[73] Assignee: Aqua Step Corporation, Atlanta, Ga.

[57] CLAIM

[\*\*] Term: 14 Years

The ornamental design for an aquatic step exerciser, as shown and described.

[21] Appl. No.: 883,851

DESCRIPTION

[22] Filed: May 15, 1992

Related U.S. Application Data

[63] Continuation-in-part of Ser. No. 806,261, Feb. 3, 1992.

[52] U.S. Cl. .... D21/191

[58] Field of Search ..... D6/349, 350, 355, 500, D6/501, 502; 108/11, 12, 144, 156; 297/438, 439; 482/51, 52; D21/191

FIG. 1 is a perspective view of an aquatic step exerciser embodying my new design, shown with the feet removed;

FIG. 2 is a perspective view thereof, showing one foot exploded off the exerciser and the other foot missing for purposes of illustration;

FIG. 3 is a left side elevational view of FIG. 1, the right side view appearing the same;

FIG. 4 is a front elevational view thereof, the rear view appearing the same;

FIG. 5 is a top view thereof;

FIG. 6 is a bottom view thereof with the feet removed;

FIG. 7 is an end elevation view showing one removable foot apart from the remainder of the aquatic step exerciser, the opposite end view being the same;

FIG. 8 is a right side elevation view of the foot, the left side elevation view being the same;

FIG. 9 is a top view of the foot;

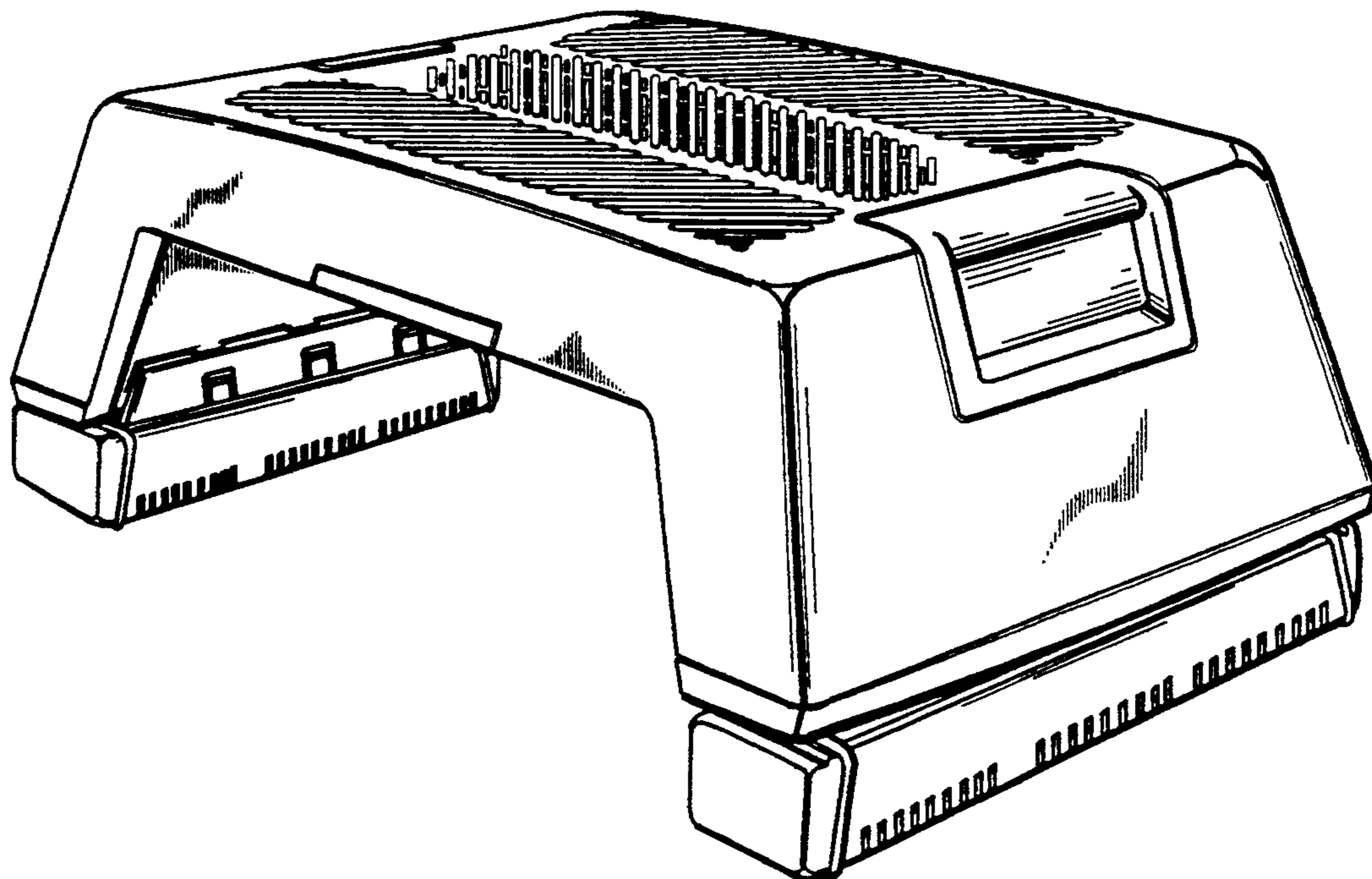
FIG. 10 is a bottom view of the foot; and,

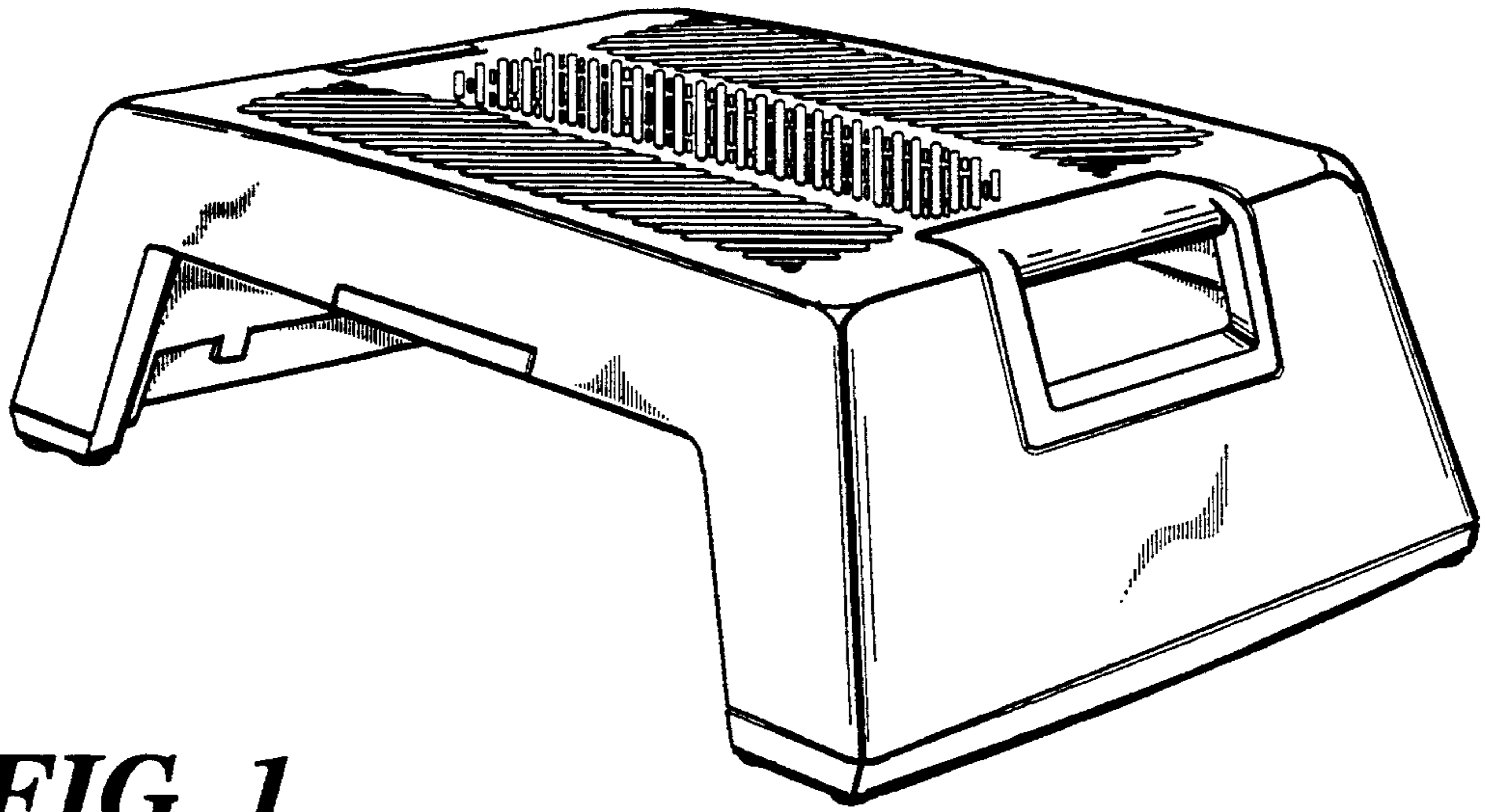
FIG. 11 is a perspective view the aquatic step exerciser, showing the top and feet assembled.

[56] References Cited

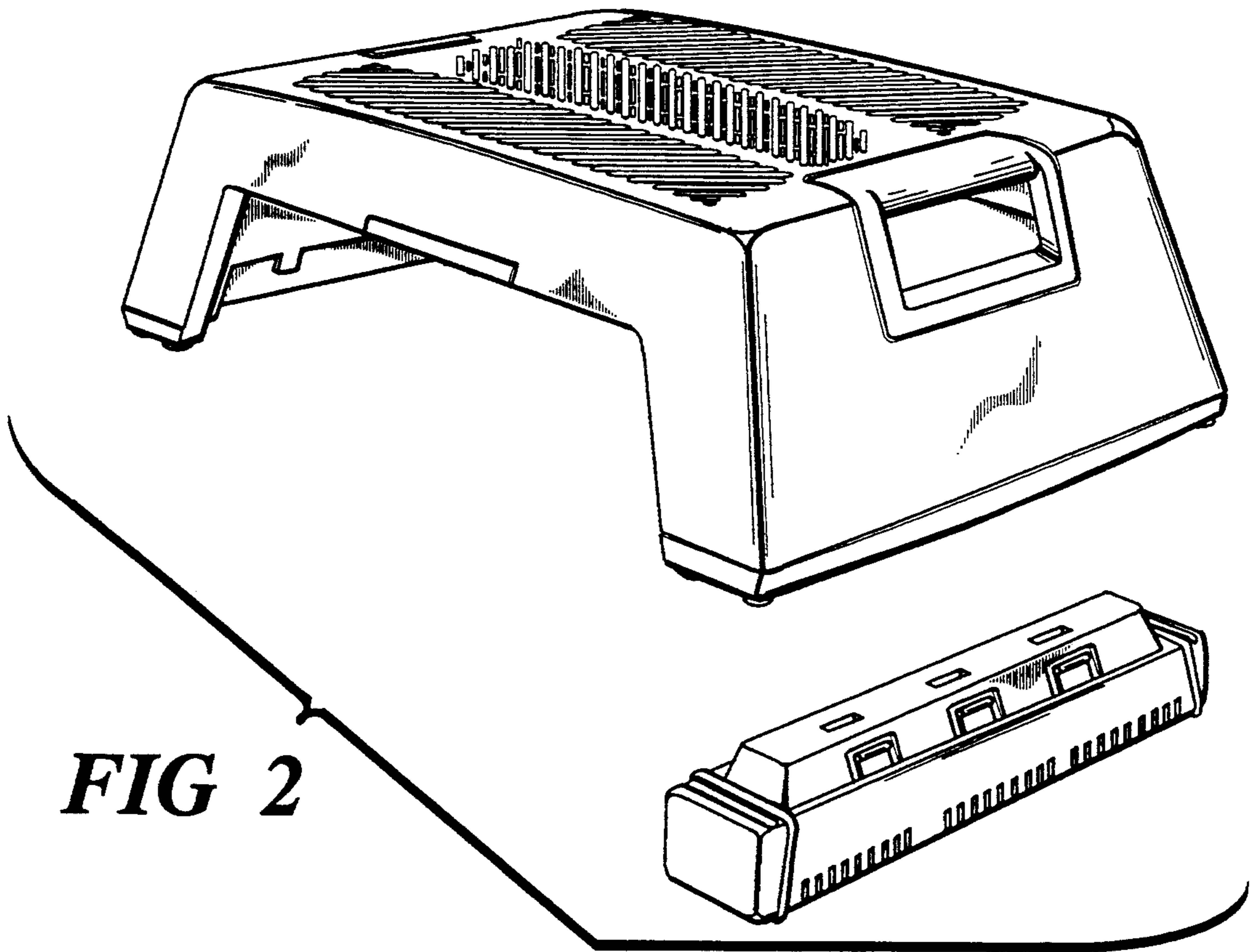
U.S. PATENT DOCUMENTS

D. 268,280	3/1983	Rodger	.....	D6/349
D. 280,052	8/1985	Hypponen	.....	D6/349
D. 298,266	10/1988	Reyneke	.....	D21/191
D. 307,800	5/1990	Hradisky	.....	D6/350
D. 322,826	12/1991	Wilkinson	.....	D6/350
D. 330,057	10/1992	Saunders et al.	.....	D21/191
D. 330,234	10/1992	Saunders et al.	.....	D21/191
D. 330,235	10/1992	Traetta et al.	.....	D21/191
5,162,028	11/1992	Wilkinson	.....	482/52

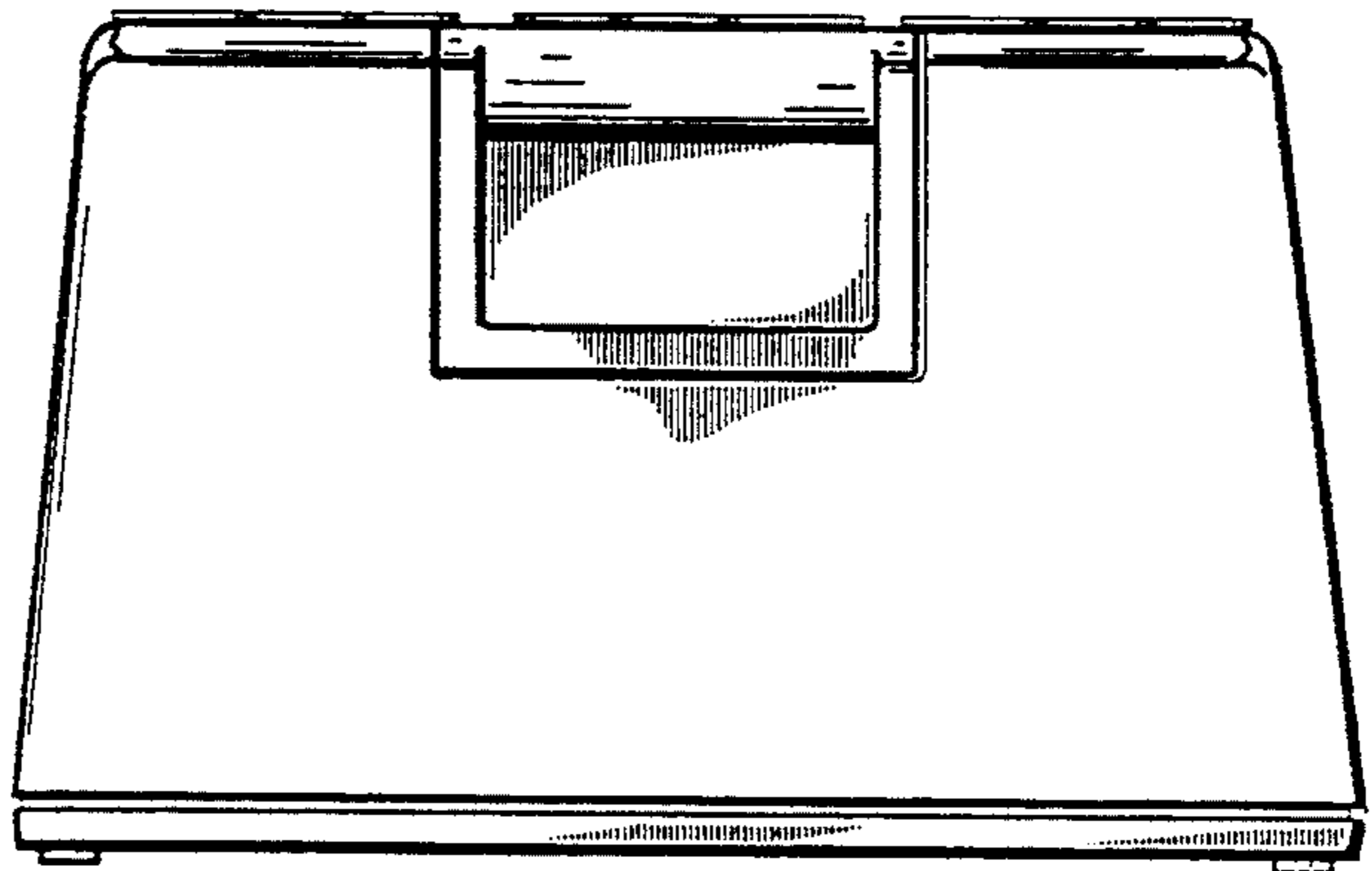




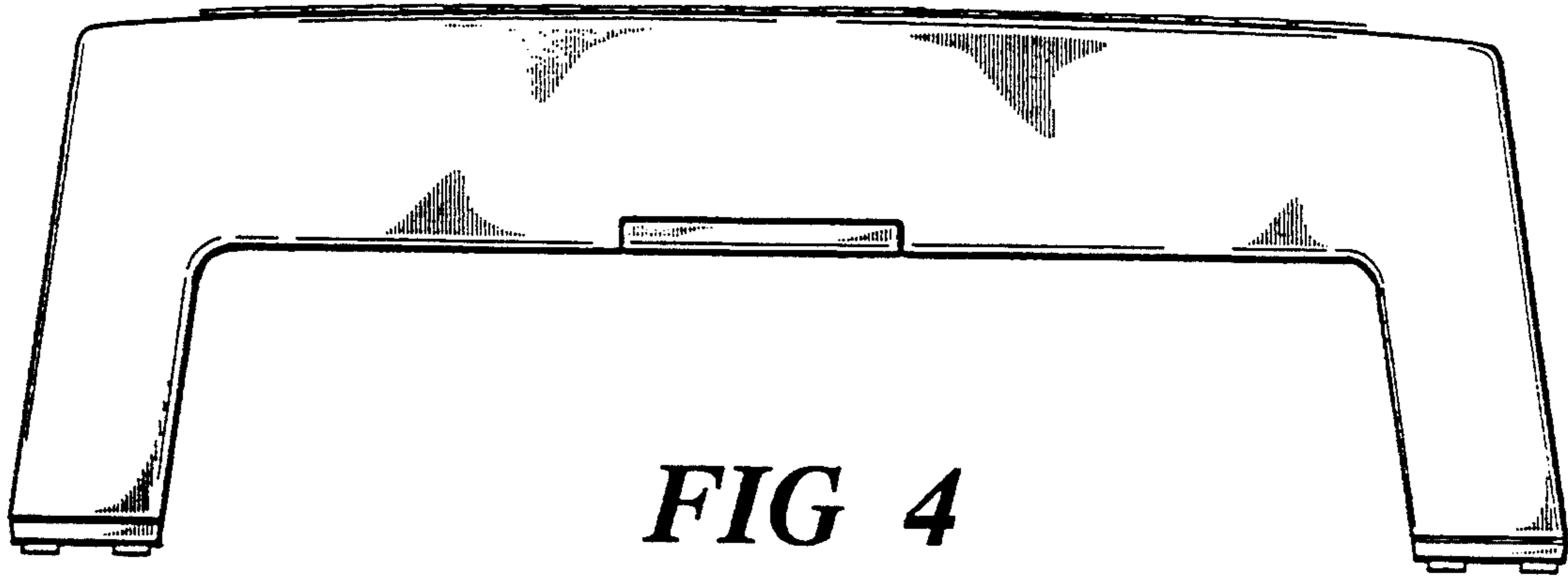
**FIG 1**



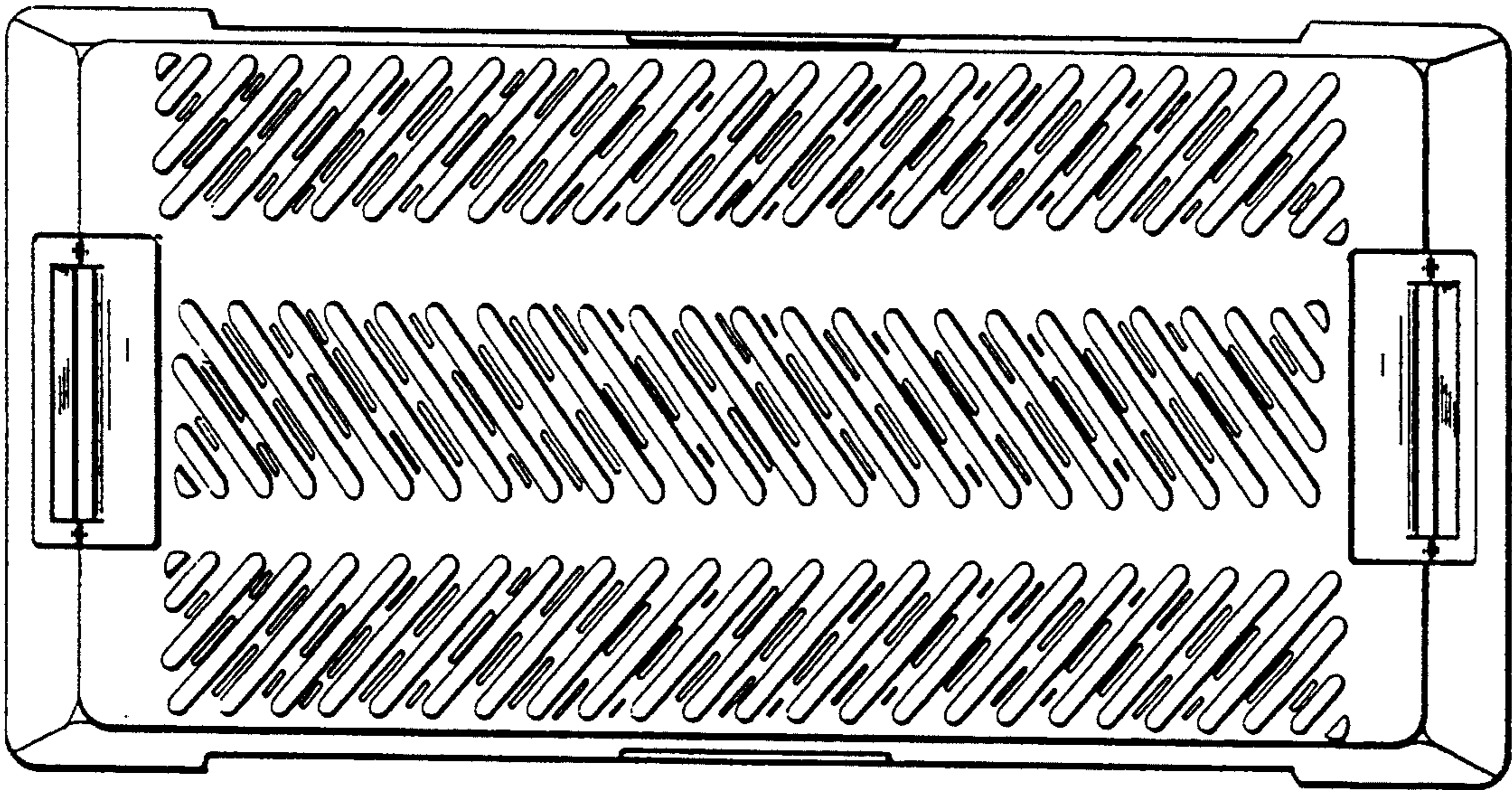
**FIG 2**



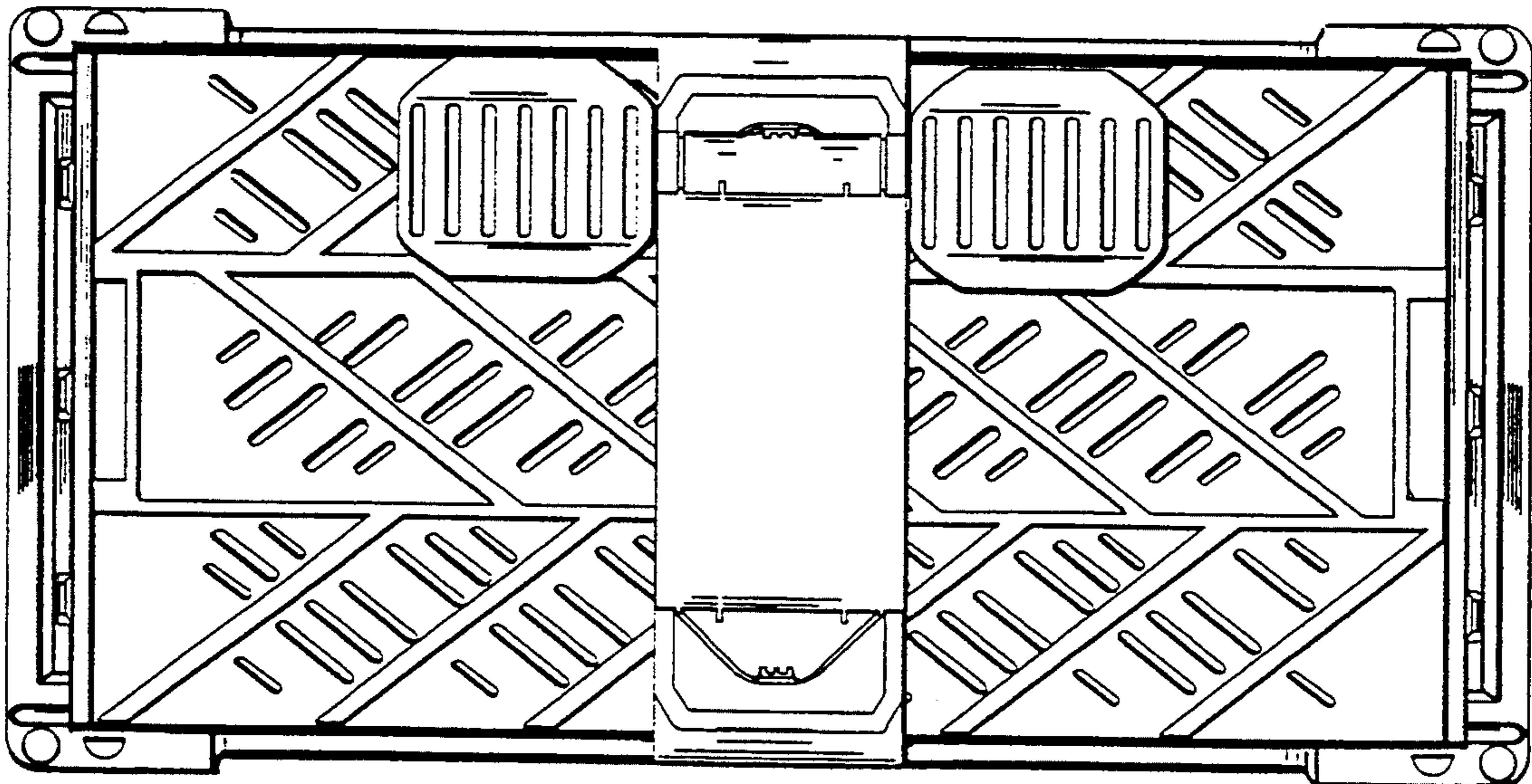
**FIG 3**



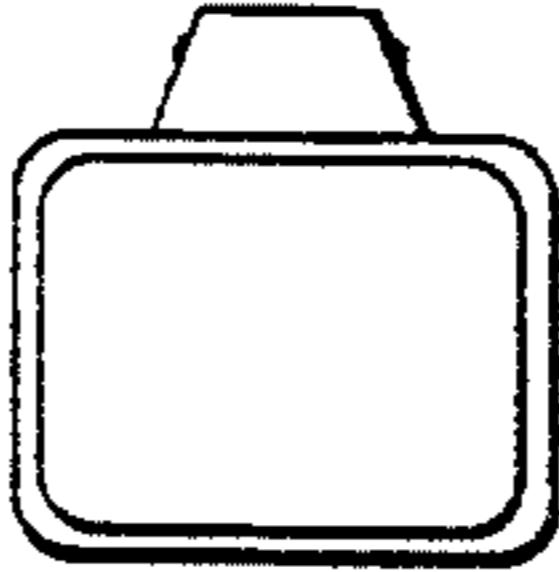
**FIG 4**



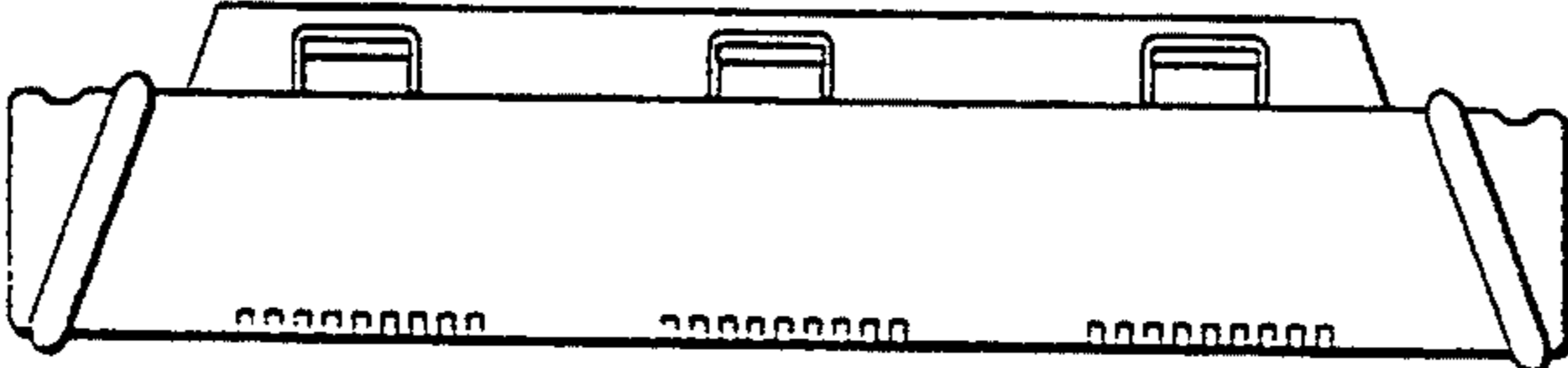
**FIG 5**



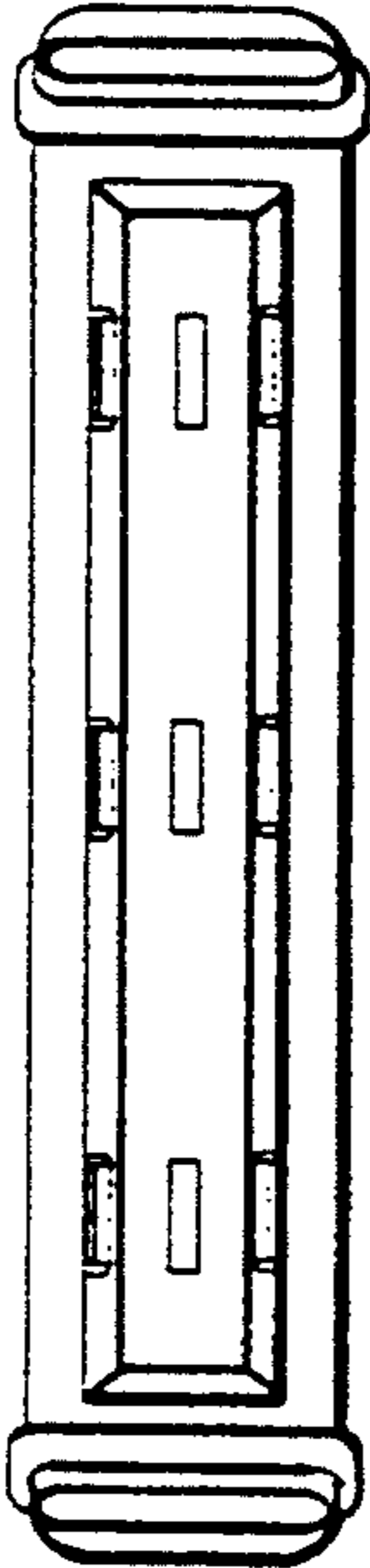
**FIG 6**



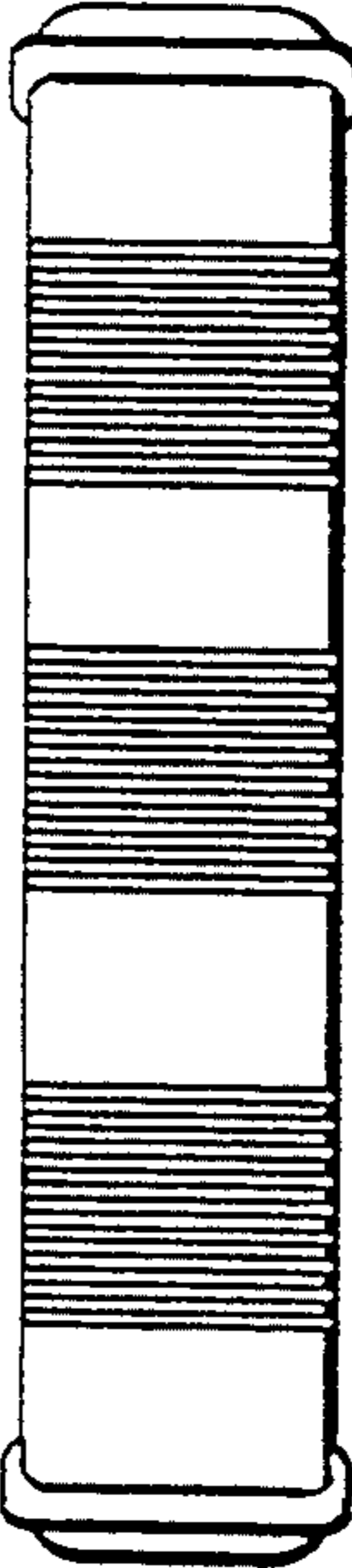
**FIG 7**



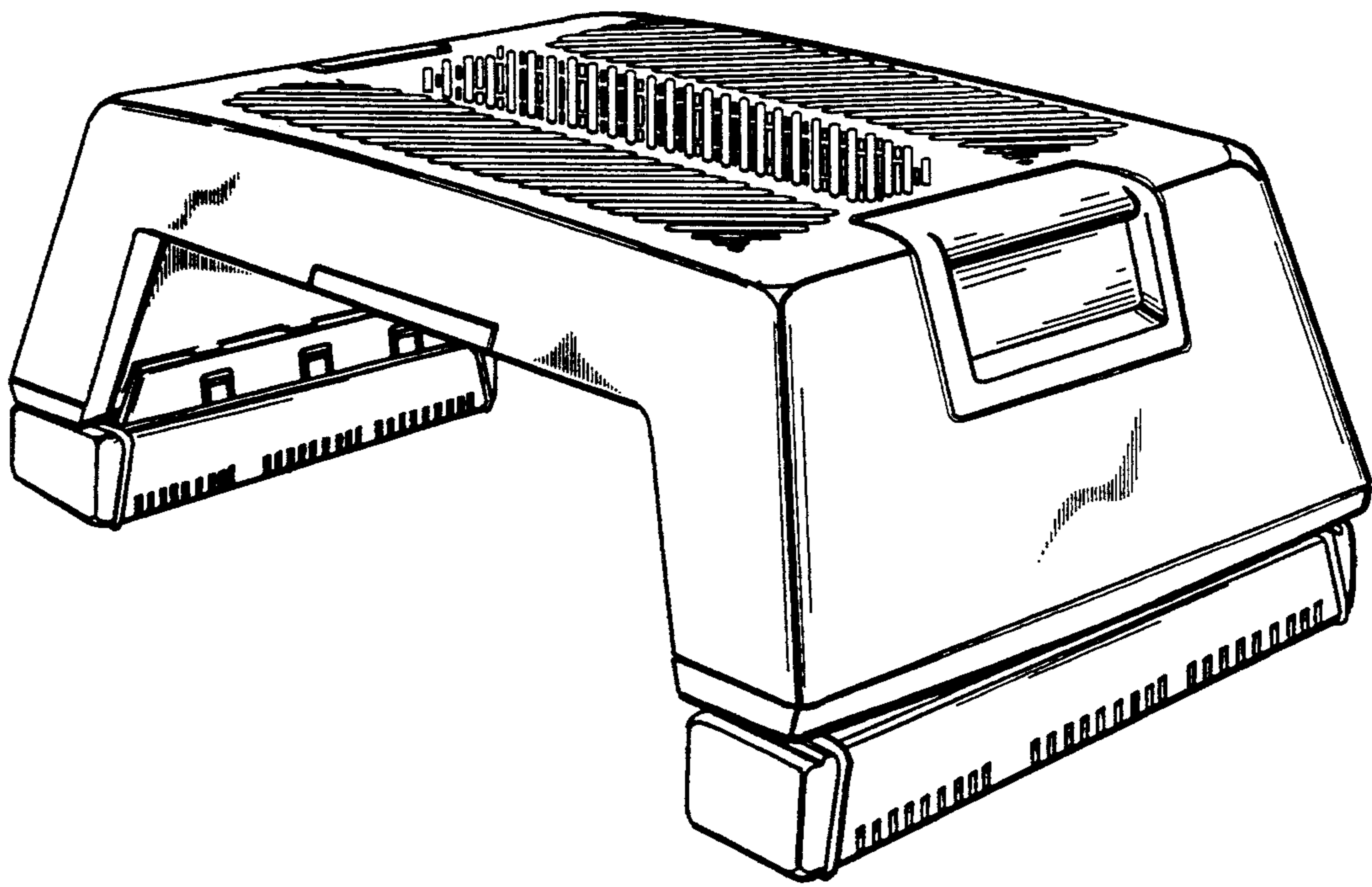
**FIG 8**



**FIG 9**



**FIG 10**



***FIG 11***