



US00D349538S

**United States Patent** [19]  
**Pedersen**

[11] **Patent Number: Des. 349,538**

[45] **Date of Patent: \*\* Aug. 9, 1994**

[54] **BODY FOR A TOY DRAGON**

[75] **Inventor: Niels M. Pedersen, Århus C, Denmark**

[73] **Assignee: Interlego, A.G., Baar, Switzerland**

[\*\*] **Term: 14 Years**

[21] **Appl. No.: 1,900**

[22] **Filed: Nov. 24, 1992**

[52] **U.S. Cl. .... D21/189; D21/148**

[58] **Field of Search ..... 446/72, 97, 100, 128, 446/390, 487; D21/148, 150, 184, 108, 189**

[56] **References Cited**

**U.S. PATENT DOCUMENTS**

D. 281,519	11/1985	Pedersen .....	D21/108
D. 285,051	8/1986	Heriard-Dubrevil .....	D21/148
D. 305,050	12/1989	Ishizawa .....	D21/150
D. 307,612	5/1990	Cholakian .....	D21/148

**OTHER PUBLICATIONS**

Tyco 1987 Cat., p. 35, top right, Horse Figure.

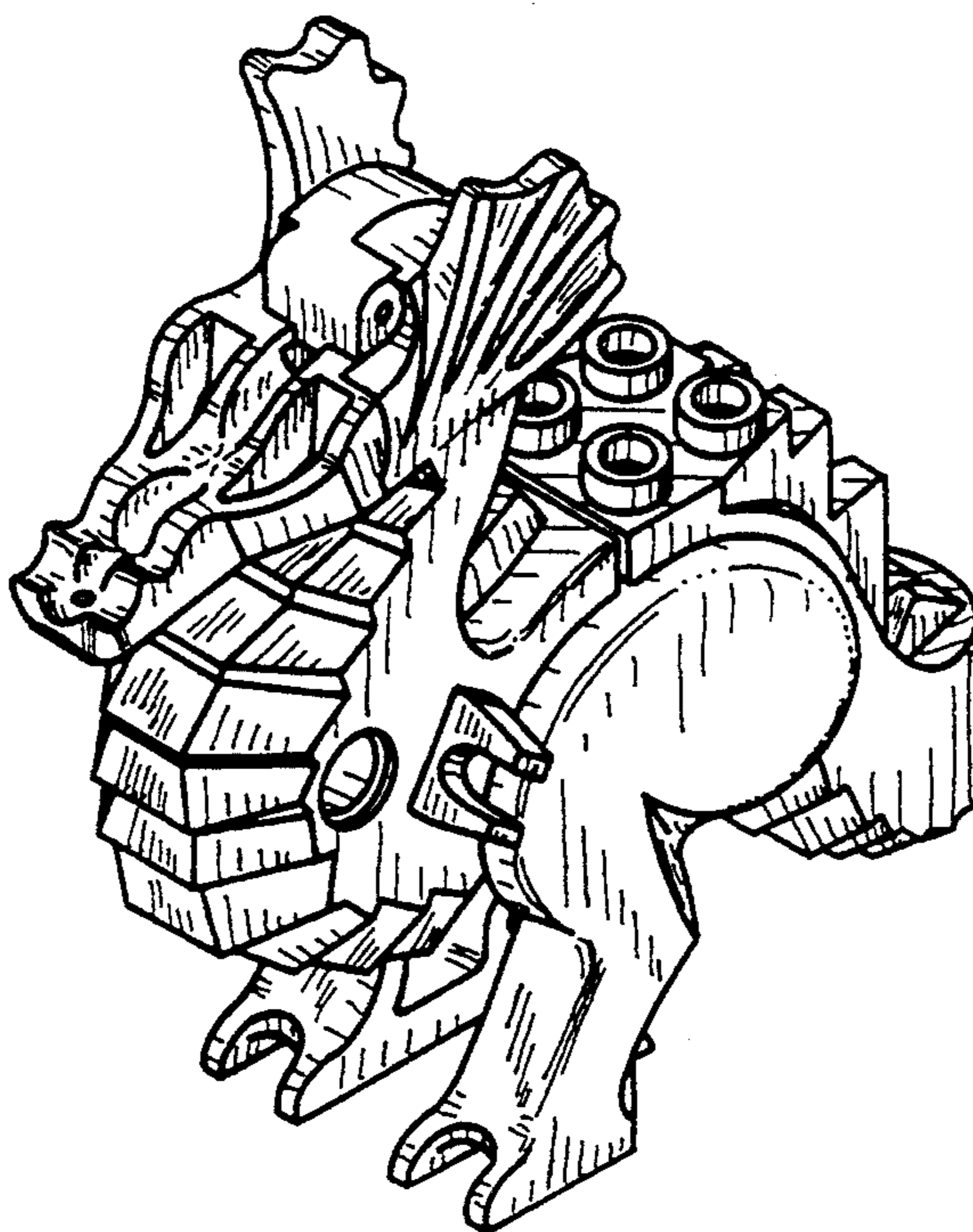
*Primary Examiner*—Melvin B. Feifer  
*Attorney, Agent, or Firm*—Kane, Dalsimer, Sullivan, Kurucz, Levy, Eisele and Richard

[57] **CLAIM**

The ornamental design for a body for a toy dragon, as shown and described.

**DESCRIPTION**

FIG. 1 is a top perspective view of the body for a toy dragon showing my new design;  
FIG. 2 is a right side elevational view thereof;  
FIG. 3 is a front elevational view thereof;  
FIG. 4 is a left side elevational view thereof;  
FIG. 5 is a rear elevational view thereof;  
FIG. 6 is a top plan view thereof; and,  
FIG. 7 is a bottom plan view thereof.



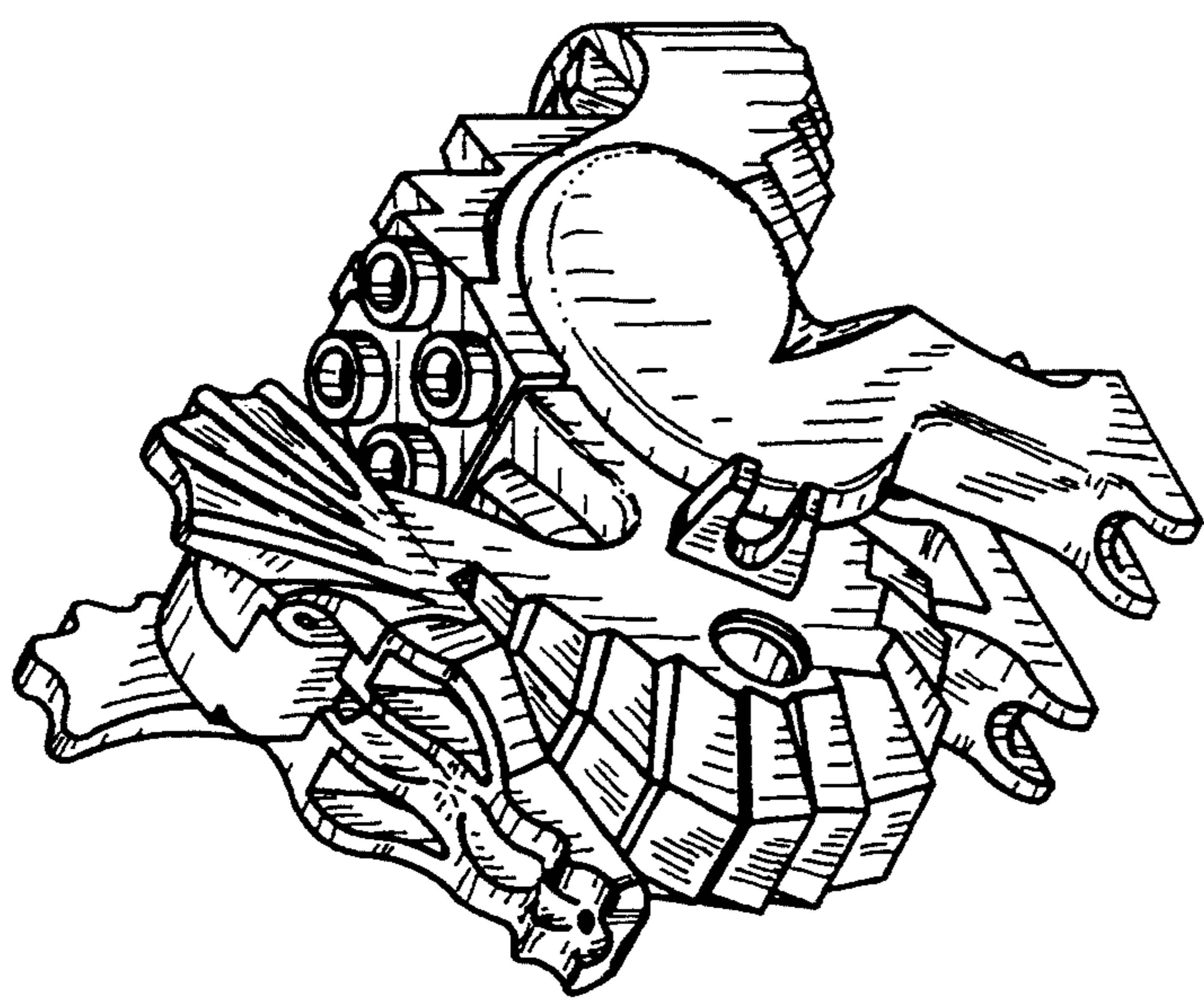


FIG. 1

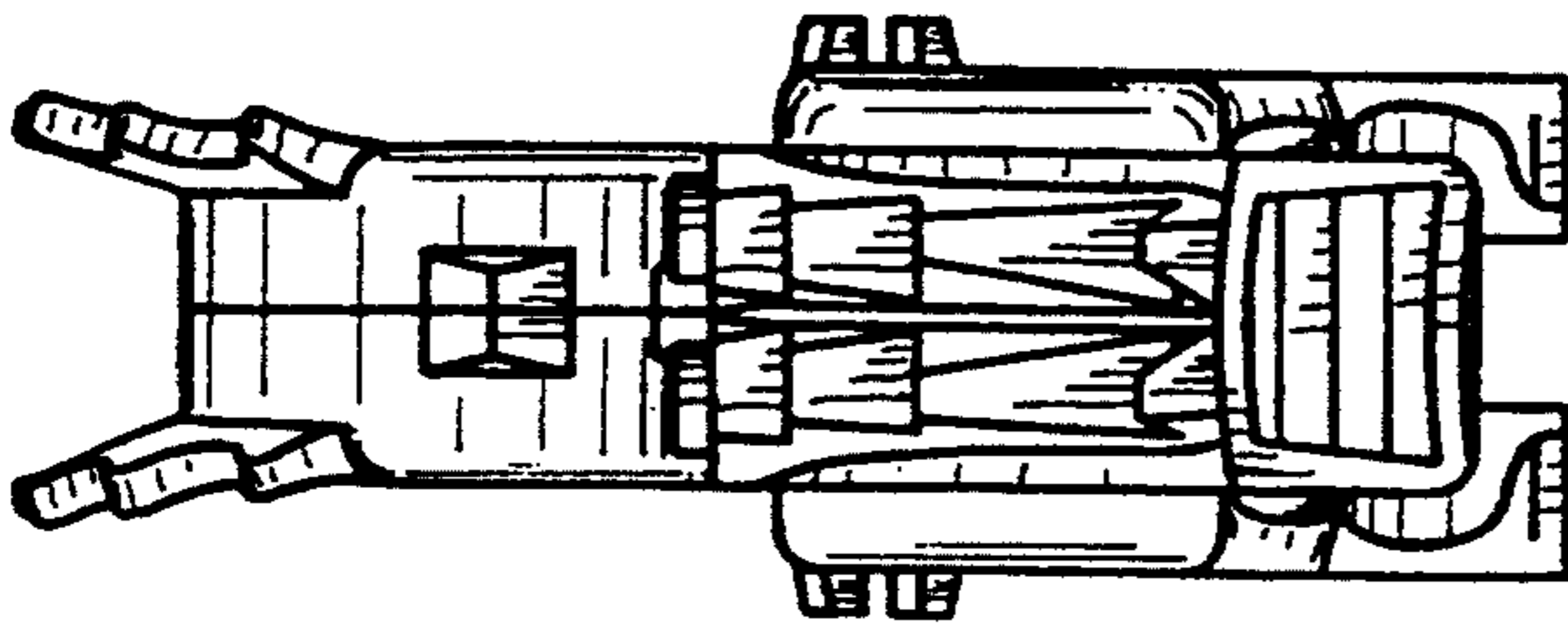


FIG. 5

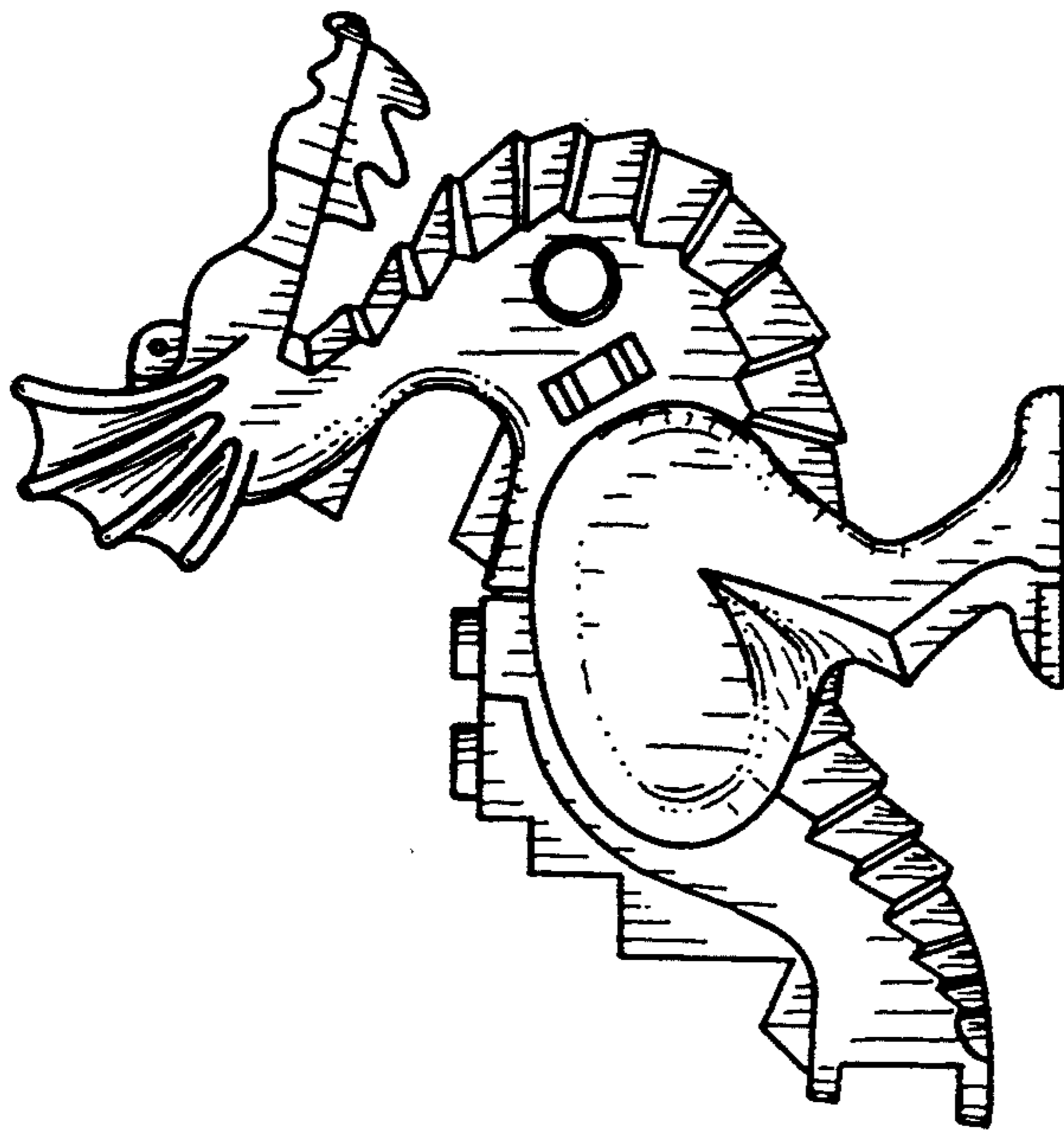


FIG. 2

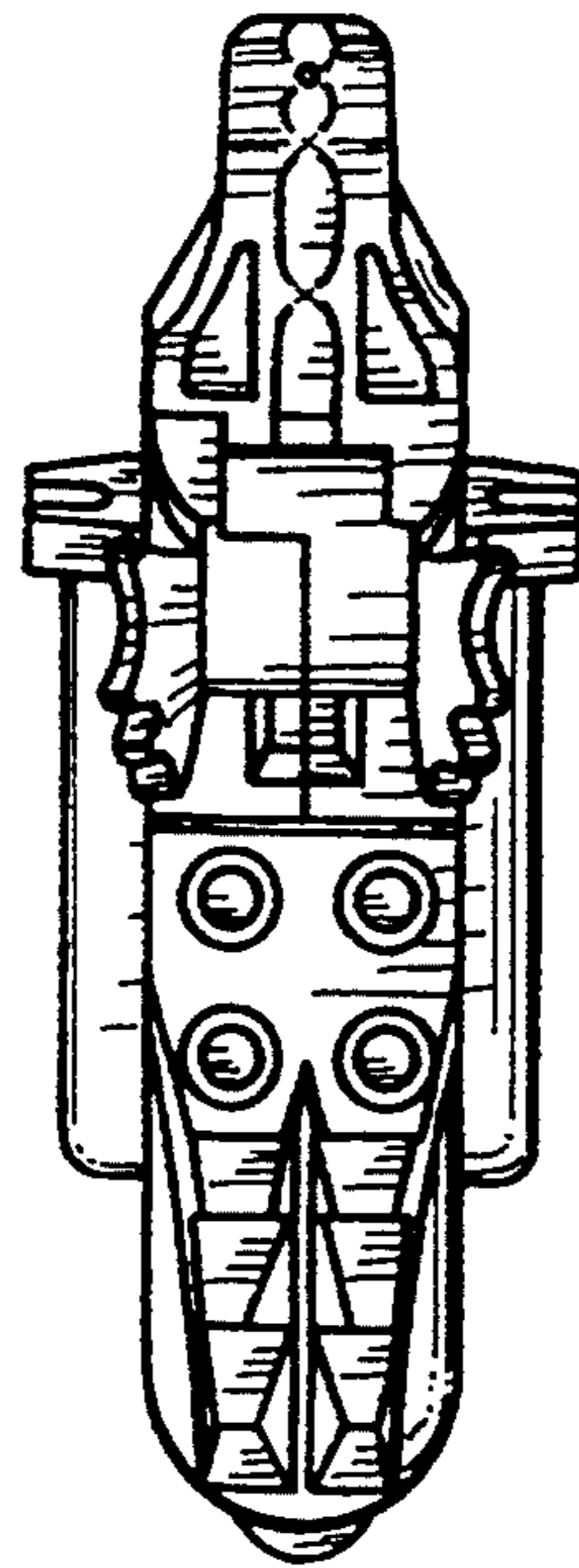


FIG. 6

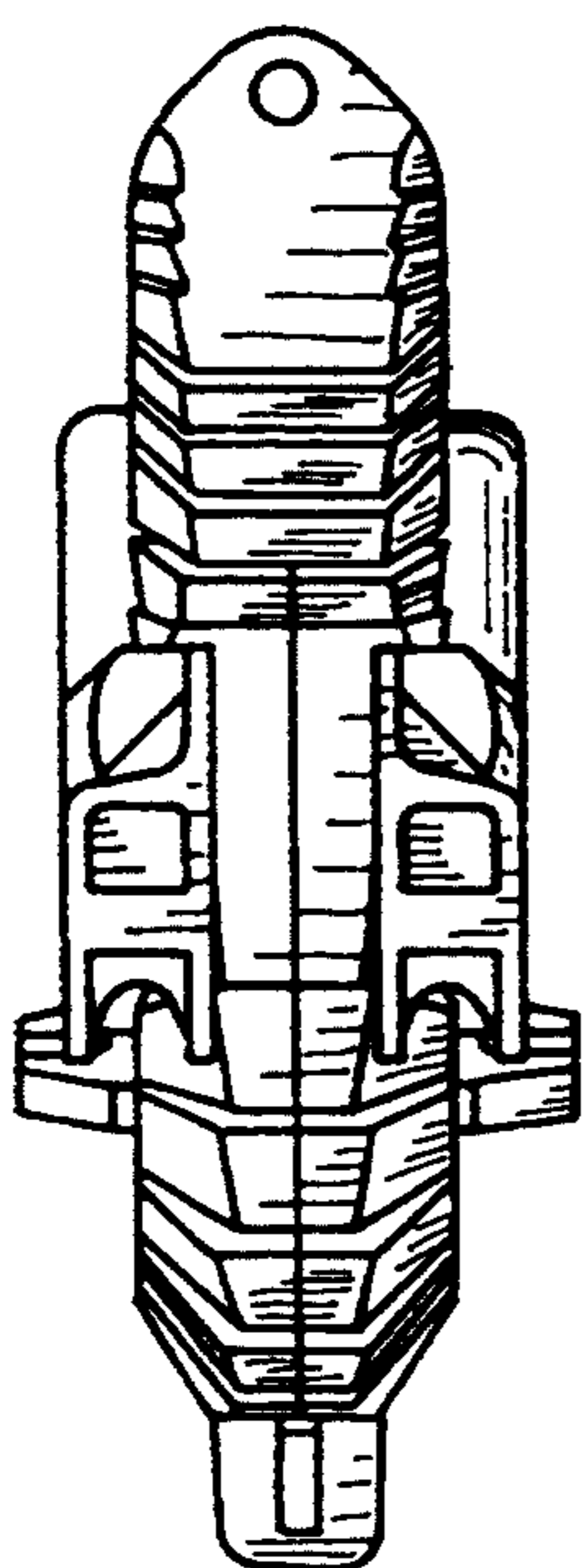


FIG. 7

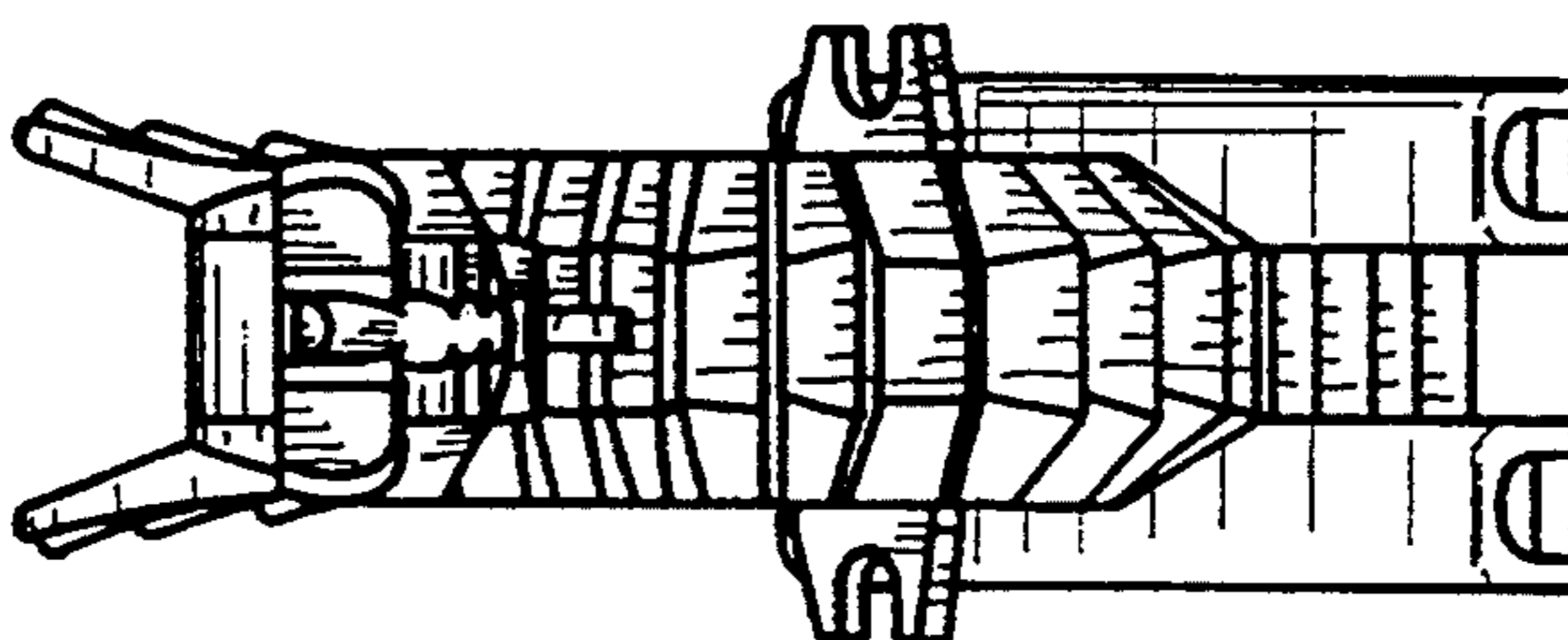


FIG. 3

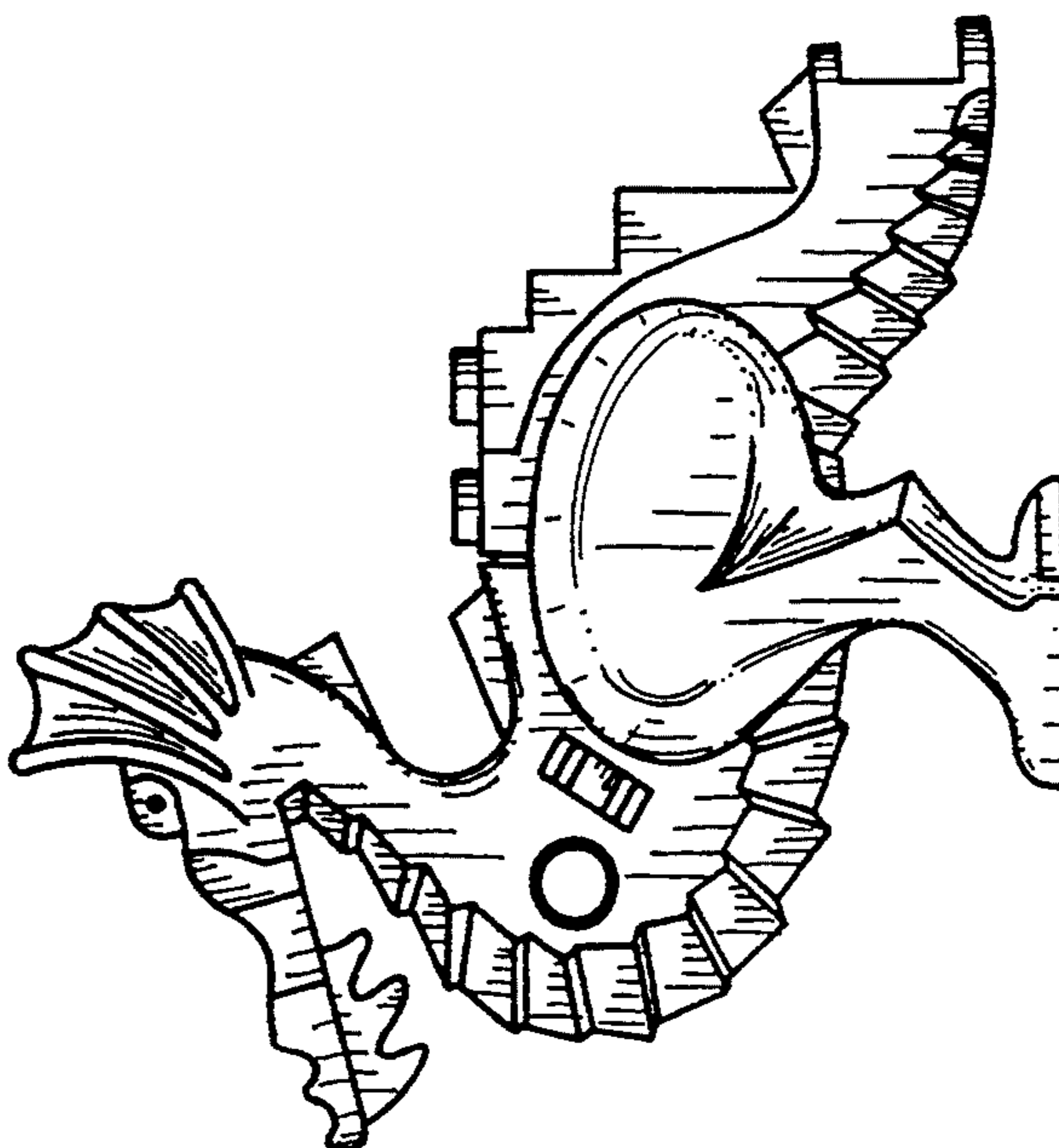


FIG. 4