



US00D349512S

United States Patent [19]

[11] Patent Number: **Des. 349,512**

Law

[45] Date of Patent: **** Aug. 9, 1994**

[54] **COMBINED WRITING INSTRUMENT AND TOP**

[76] Inventor: **Yau K. J. Law**, Unit B, 10th Floor, Wah Tai Industrial Building, II Sun on Street, Tuen Mun New Territories, Hong Kong

[**] Term: **14 Years**

[21] Appl. No.: **864,444**

[22] Filed: **Apr. 6, 1992**

[52] U.S. Cl. **D19/36; D19/42; D19/51; D21/95**

[58] Field of Search 401/52, 195; D21/92, D21/94, 95, 96; D19/35, 36, 41-51, 54-58, 81-85

[56] **References Cited**

U.S. PATENT DOCUMENTS

- D. 58,079 6/1921 Glenn D21/95
- D. 254,082 1/1980 Koblick D19/42 X
- D. 280,110 8/1985 Brooks D19/42
- D. 284,980 8/1986 Yoshida D19/42 X
- D. 290,851 7/1987 Yoshida D19/51 X

- D. 317,940 7/1991 Brenner D19/41
- D. 331,082 11/1992 Levy et al. D21/95
- 1,284,917 11/1918 Menkus D21/98 X
- 1,349,226 8/1920 Saufer D21/95 X

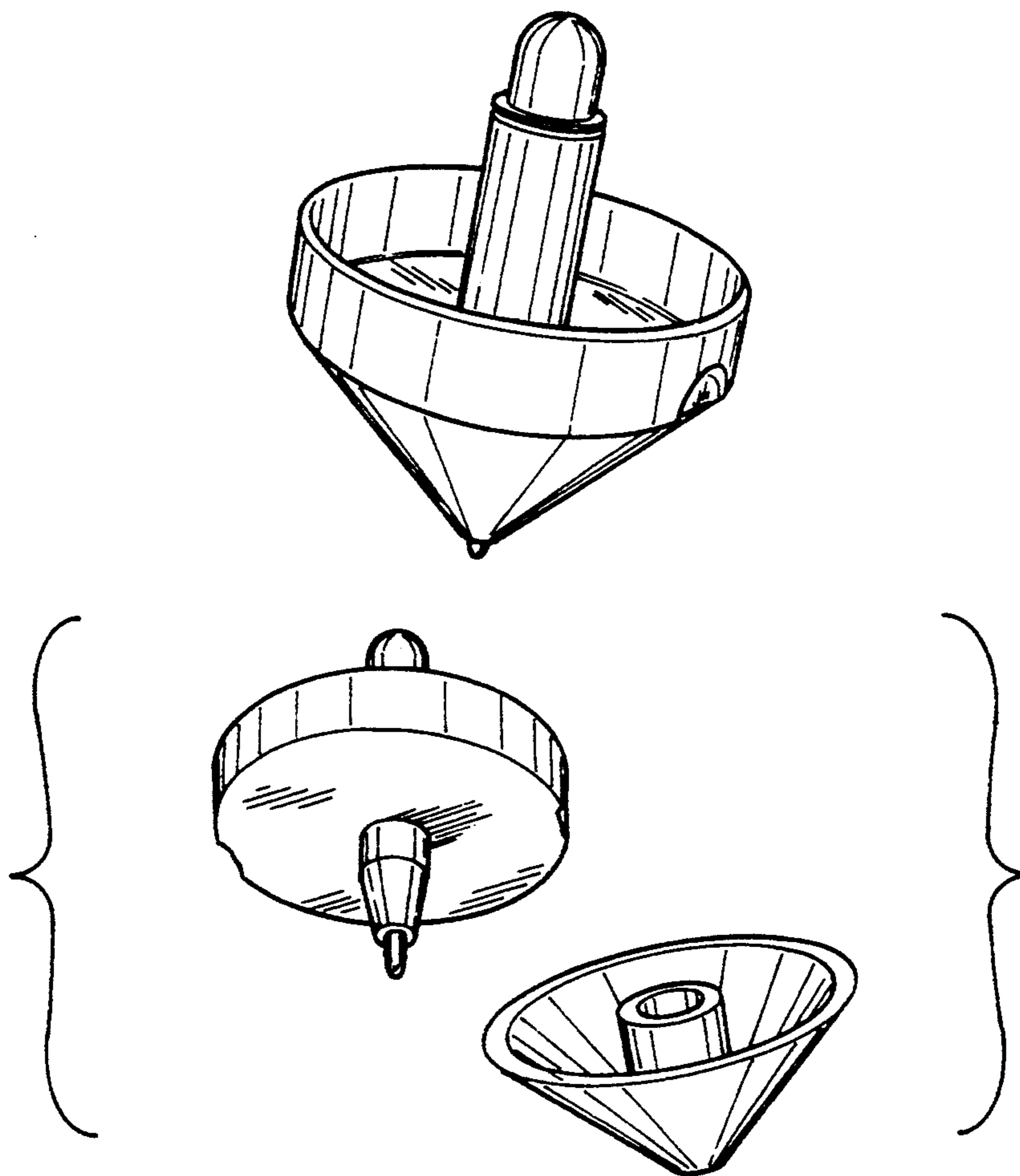
Primary Examiner—Nelson C. Holtje
Assistant Examiner—Martie Thompson
Attorney, Agent, or Firm—Klarquist Sparkman
Campbell Leigh & Whinston

[57] **CLAIM**

The ornamental design for a combined writing instrument and top, as shown and described.

DESCRIPTION

FIG. 1 is a top perspective view of a combined writing instrument and top showing my new design;
 FIG. 2 is a perspective view in an exploded condition;
 FIG. 3 is a side elevational view in an exploded condition;
 FIG. 4 is a bottom plan view in an exploded condition;
 FIG. 5 is a top plan view in an exploded condition;
 FIG. 6 is a side elevational view of FIG. 1;
 FIG. 7 is a bottom plan view of FIG. 1; and,
 FIG. 8 is a top plan view of FIG. 1.



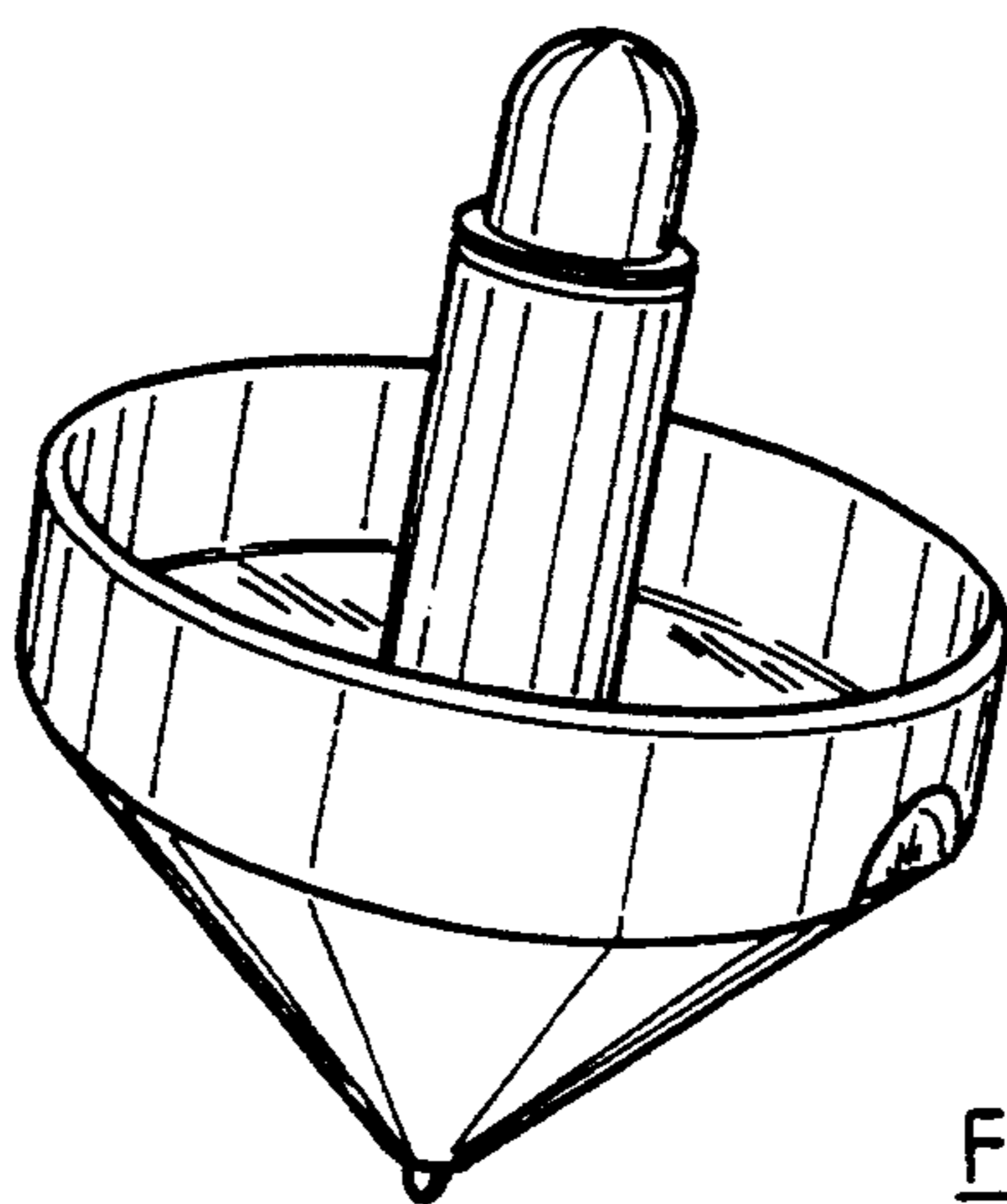


FIG 1

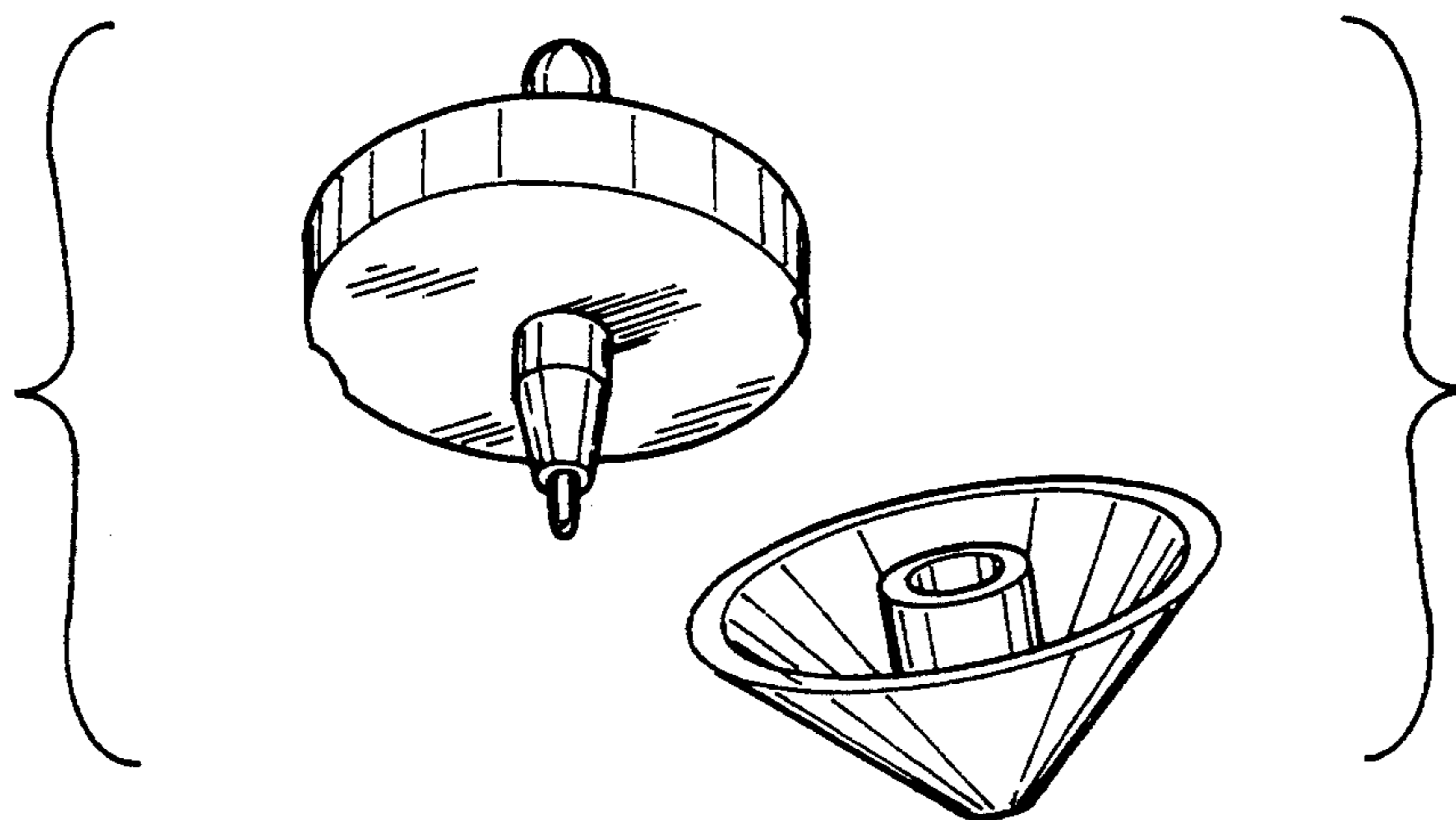


FIG 2

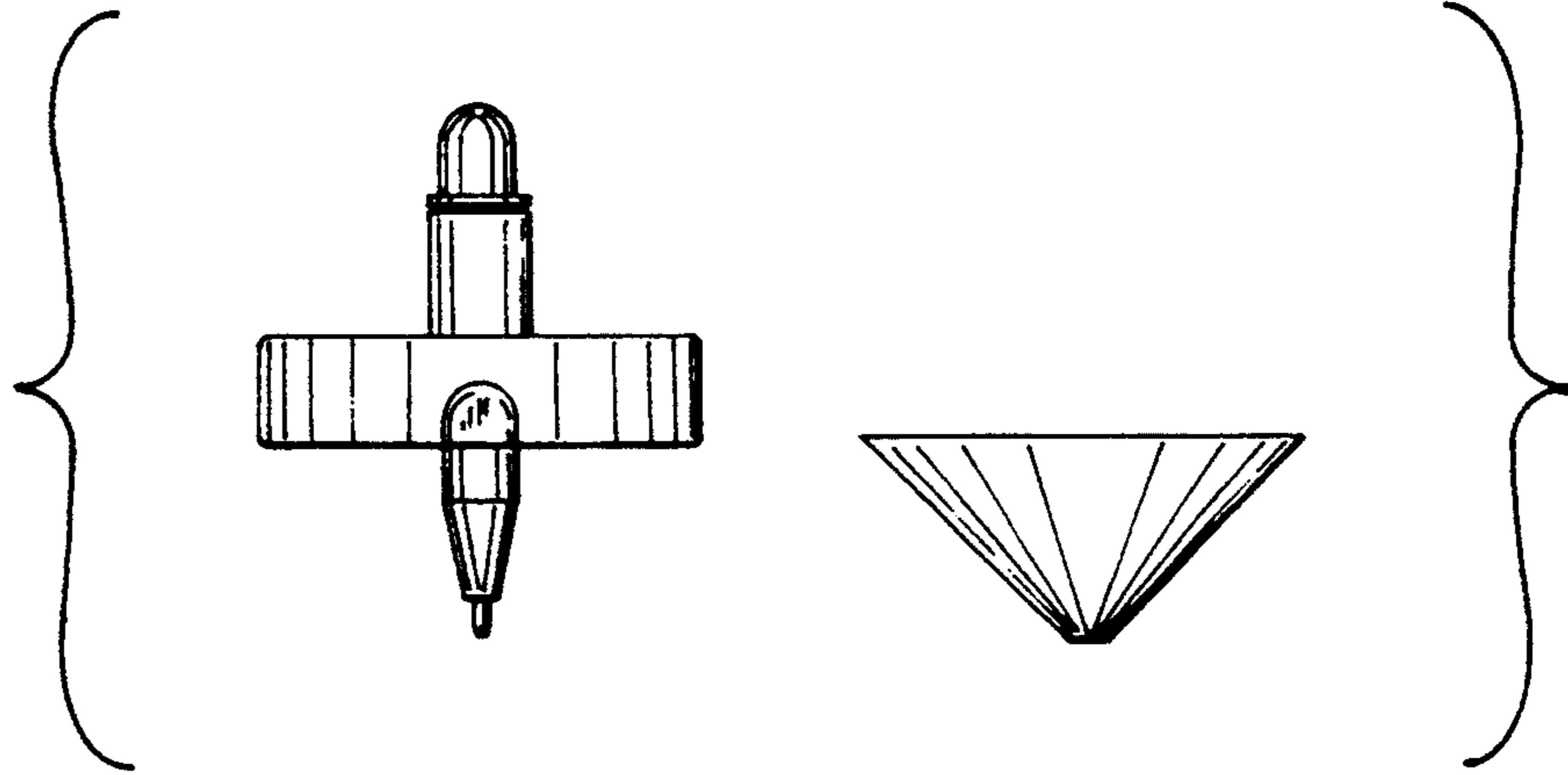


FIG 3

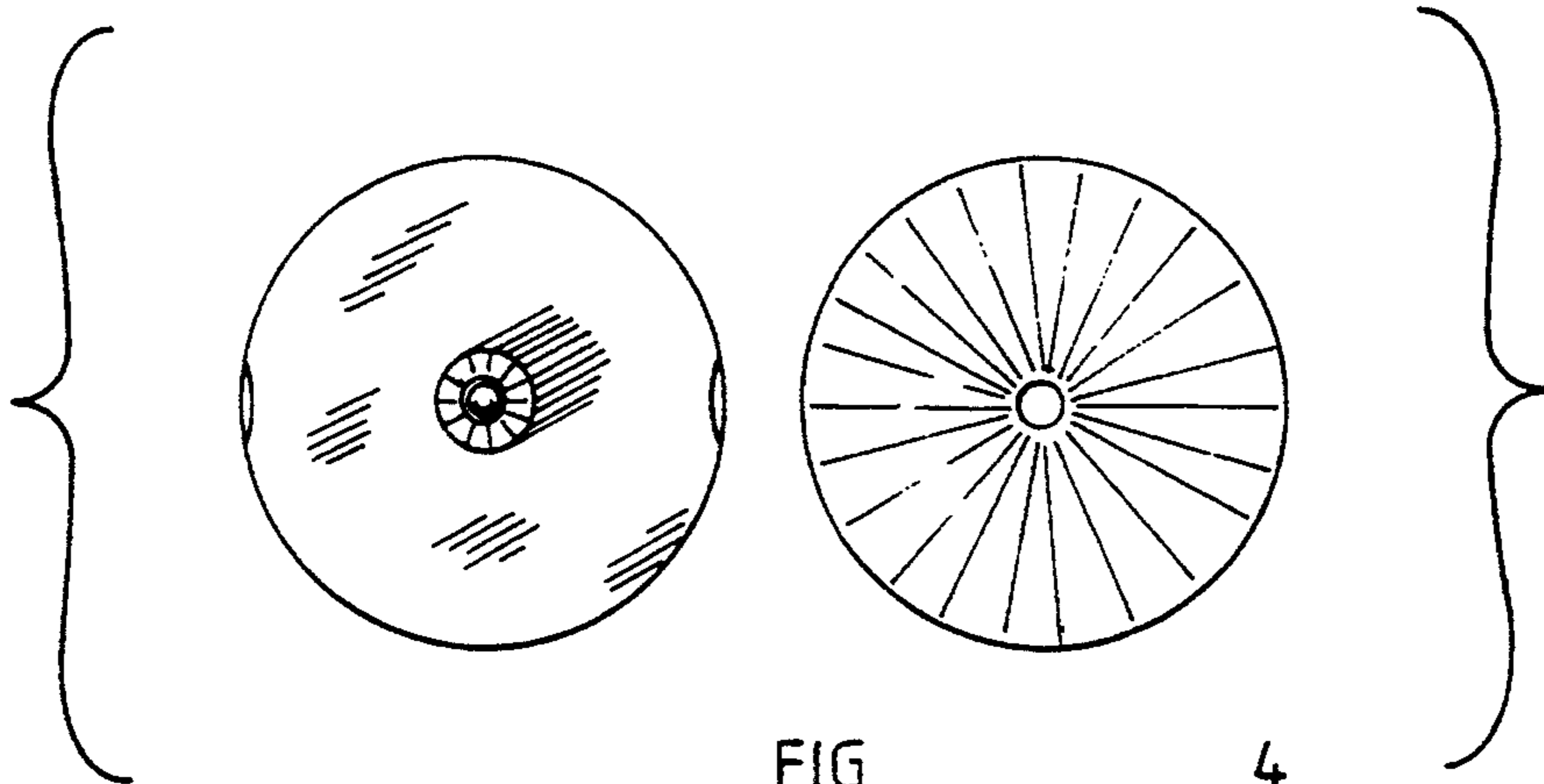
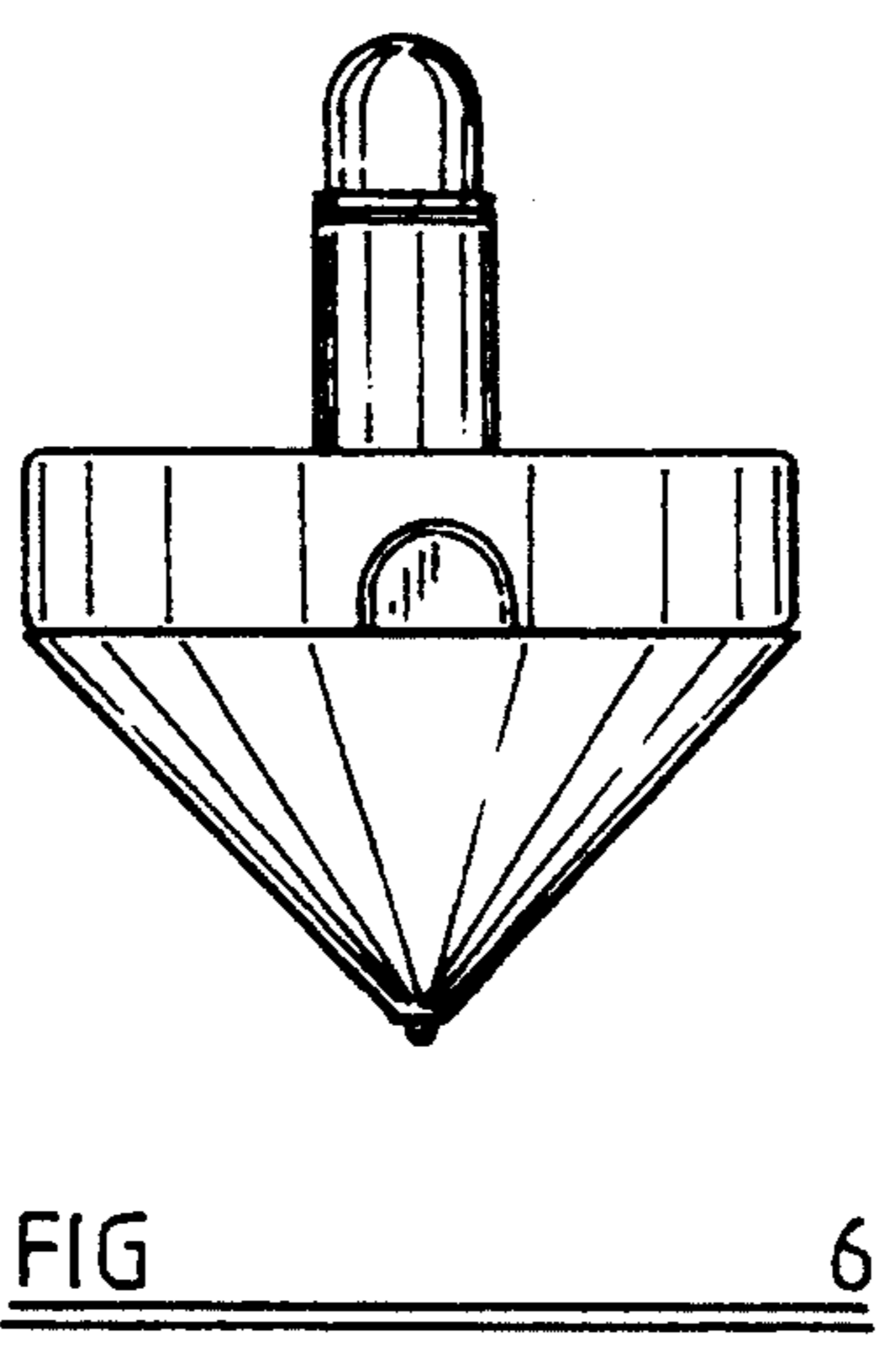
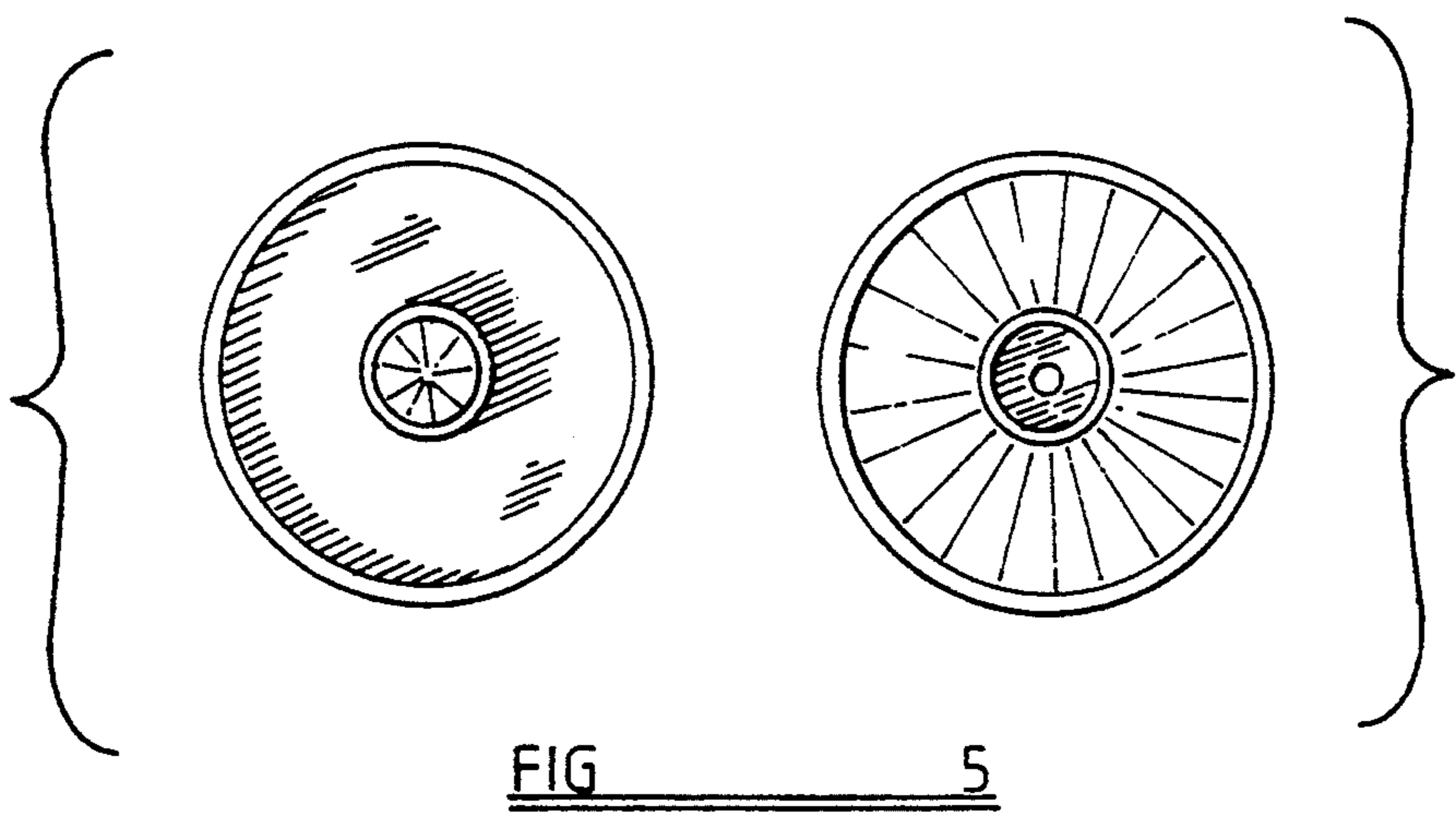


FIG 4



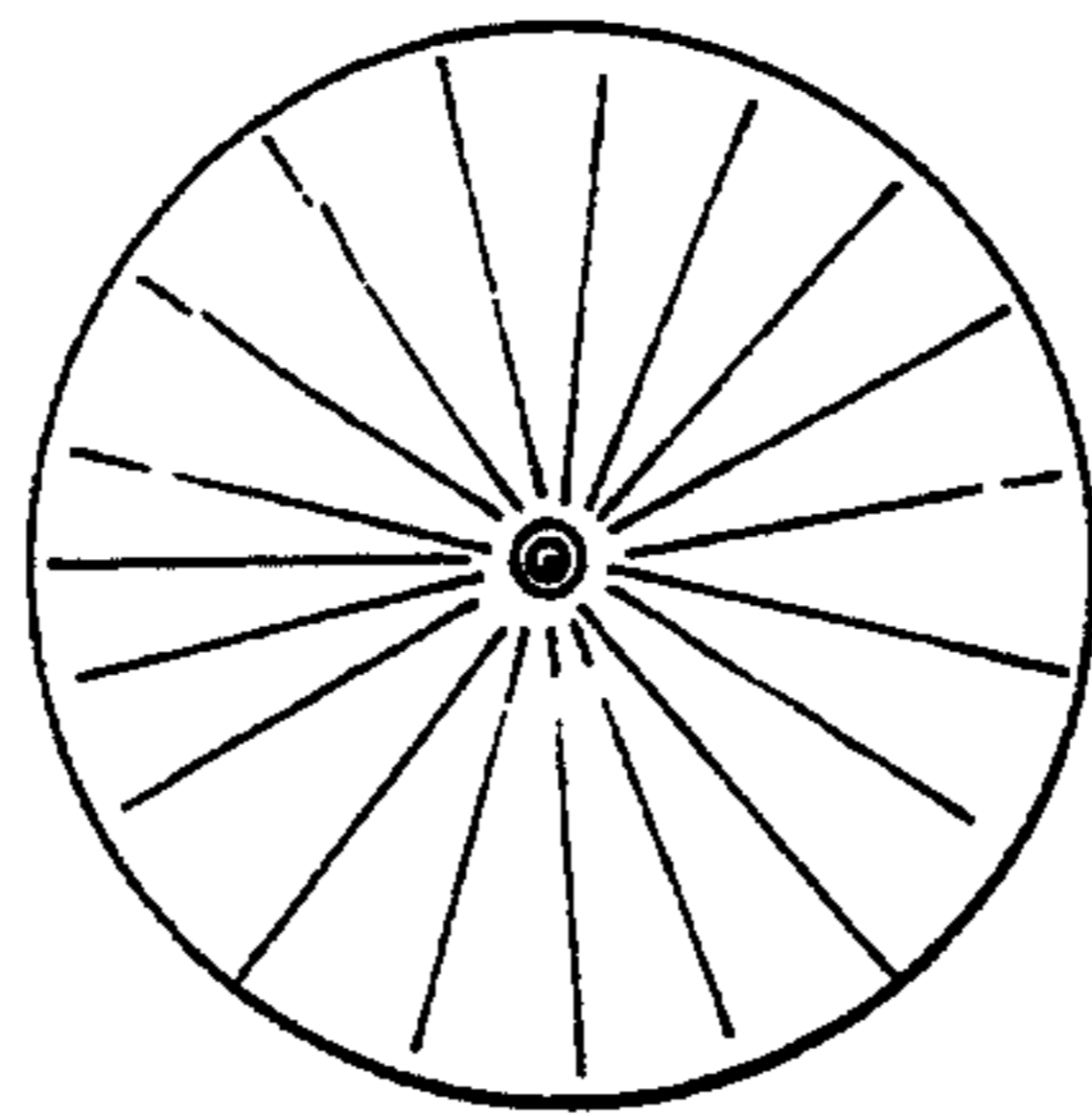


FIG 7

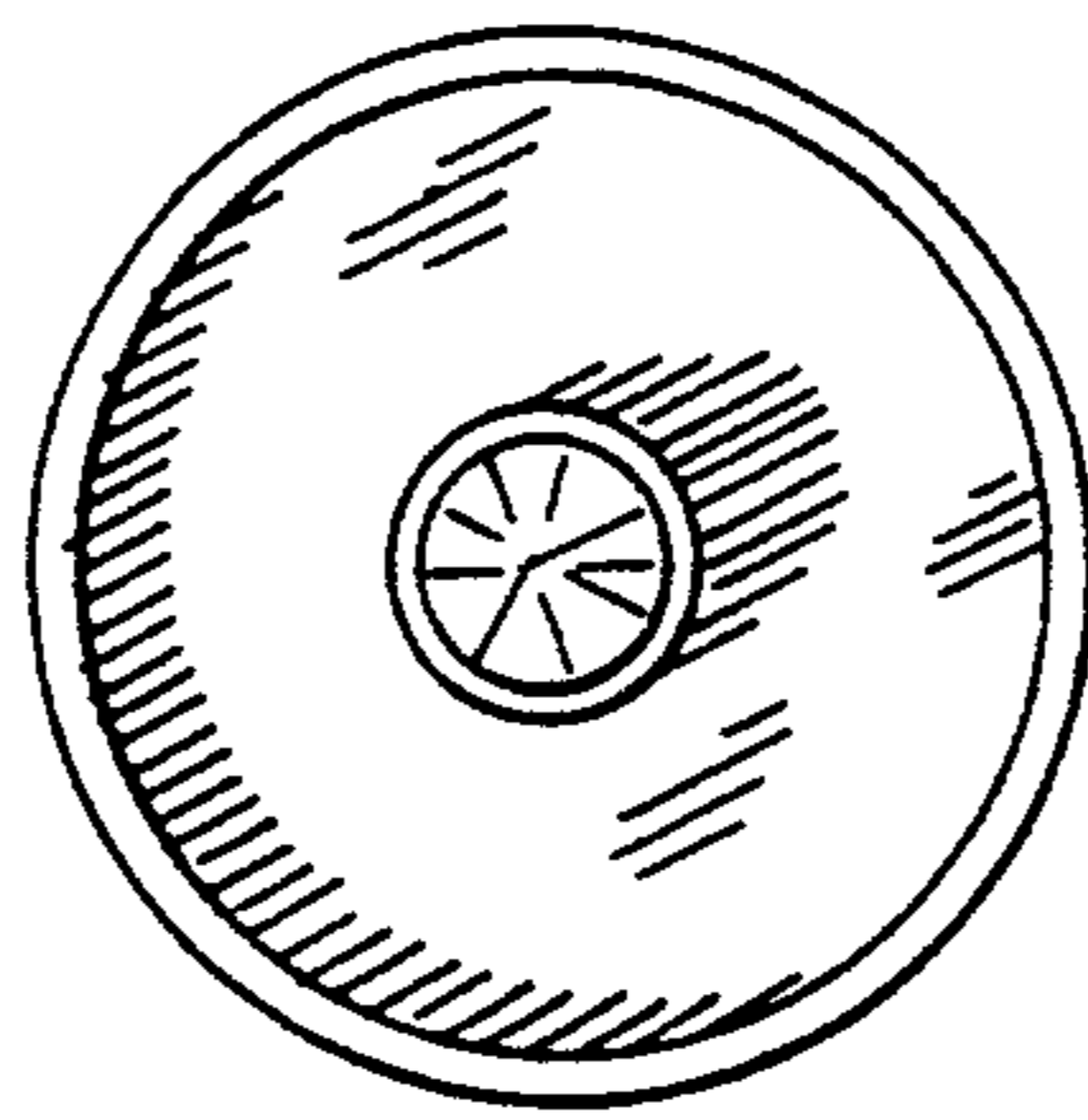


FIG 8