



US00D349510S

# United States Patent [19] Tomita

[11] Patent Number: **Des. 349,510**

[45] Date of Patent: **\*\* Aug. 9, 1994**

[54] **SIGHT SCOPE**

[75] Inventor: **Saburo Tomita**, Fujimi, Japan  
[73] Assignee: **Asia Optical Co., Ltd.**, Tokyo, Japan  
[\*\*] Term: **14 Years**

[21] Appl. No.: **873,291**

[22] Filed: **Jan. 28, 1992**  
[52] U.S. Cl. .... **D16/132**  
[58] Field of Search ..... 33/241, 243-246,  
33/252, 257, 259, 261, 265, 297; 359/417-418,  
427-429, 399; 42/100-103; 250/214 VT, 50,  
330

[56] **References Cited**

**U.S. PATENT DOCUMENTS**

D. 253,177	10/1979	Litman	.....	D16/132
D. 295,871	5/1988	Charles	.....	D16/130
D. 305,030	12/1989	Fukushima	.....	D16/130
D. 312,089	11/1990	Jörlöv	.....	D16/132
D. 319,450	8/1991	Charles	.....	D16/136
4,281,928	8/1981	Brunson	.....	359/429
4,458,436	7/1984	Bohl	.....	42/100
4,669,833	6/1987	Mise	.....	359/428
4,734,989	4/1988	Sanders	.....	33/244
4,734,990	4/1988	Sanders	.....	33/244
4,920,654	5/1990	Sanders	.....	33/259
5,033,219	7/1991	Johnson	.....	42/101
5,130,527	7/1992	Gramer et al.	.....	250/214 VT

**FOREIGN PATENT DOCUMENTS**

0249546 9/1987 German Democratic  
Rep. .... 359/428  
2084347 4/1982 United Kingdom ..... 359/399

**OTHER PUBLICATIONS**

Laser Devices, Inc. advertisement in National FOP Journal; Spring 1991; p. 55; The FA-4 Laser Sight. Peterson's Hunting; Jul. 1990; p. 57; Swarovski Optik-Variable Power Riflescope. Pistol & Revolver Digest; ©1976; p. 235; Lobo 1.5X Pistol Scope.

*Primary Examiner*—Cathy Anne MacCormac  
*Attorney, Agent, or Firm*—Wegner, Cantor, Mueller & Player

[57] **CLAIM**

The ornamental design for a sight scope, as shown and described.

**DESCRIPTION**

FIG. 1 is a top plan view of a sight scope embodying my new design;  
FIG. 2 is a front elevational view thereof;  
FIG. 3 is a right side view thereof;  
FIG. 4 is a left side view thereof;  
FIG. 5 is a rear elevational view thereof;  
FIG. 6 is a bottom view thereof;  
FIG. 7 is a perspective thereof, showing the top, front, and left side; and,  
FIG. 8 is a perspective thereof, showing the bottom, rear, and right side.

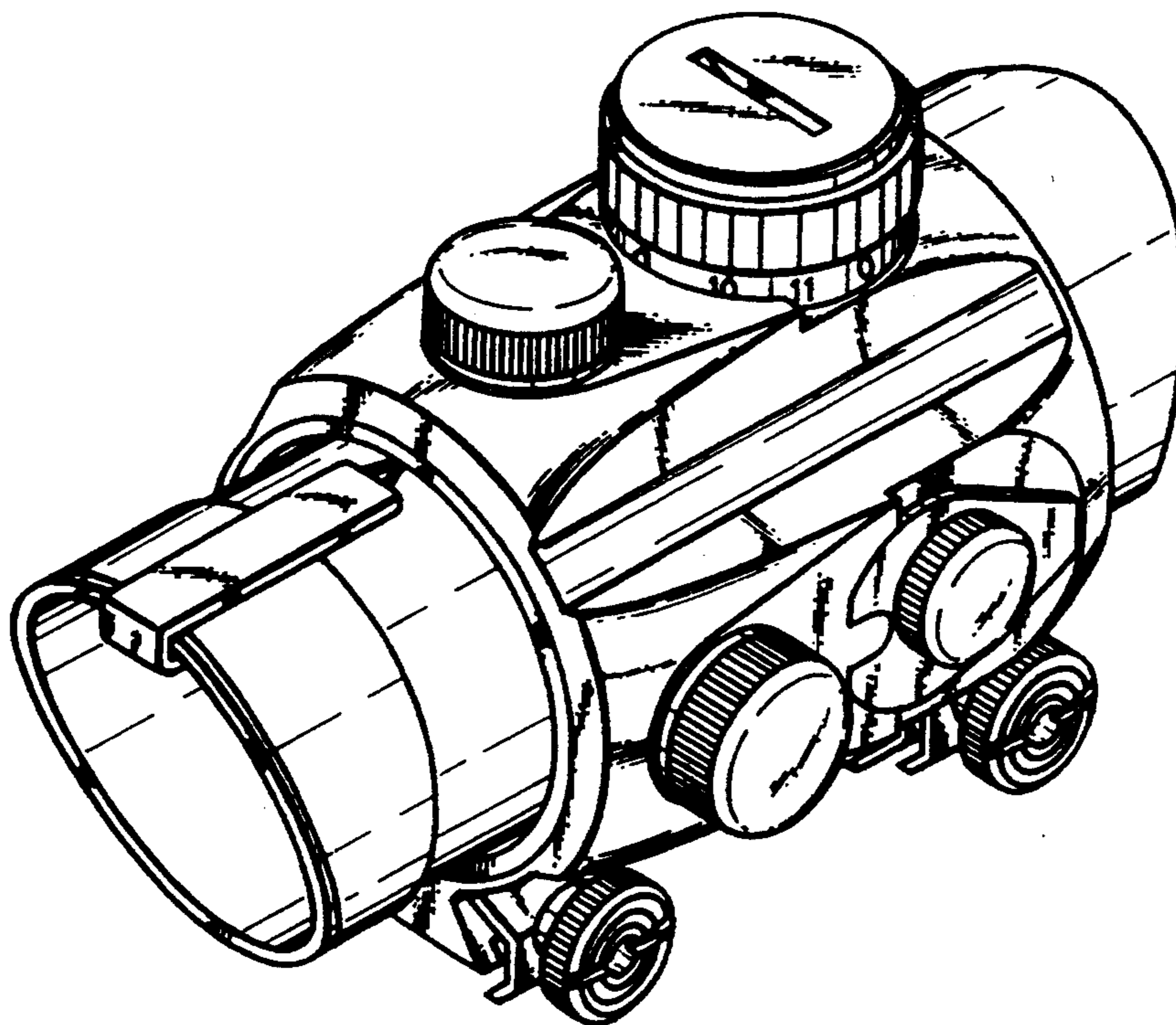


Fig.1

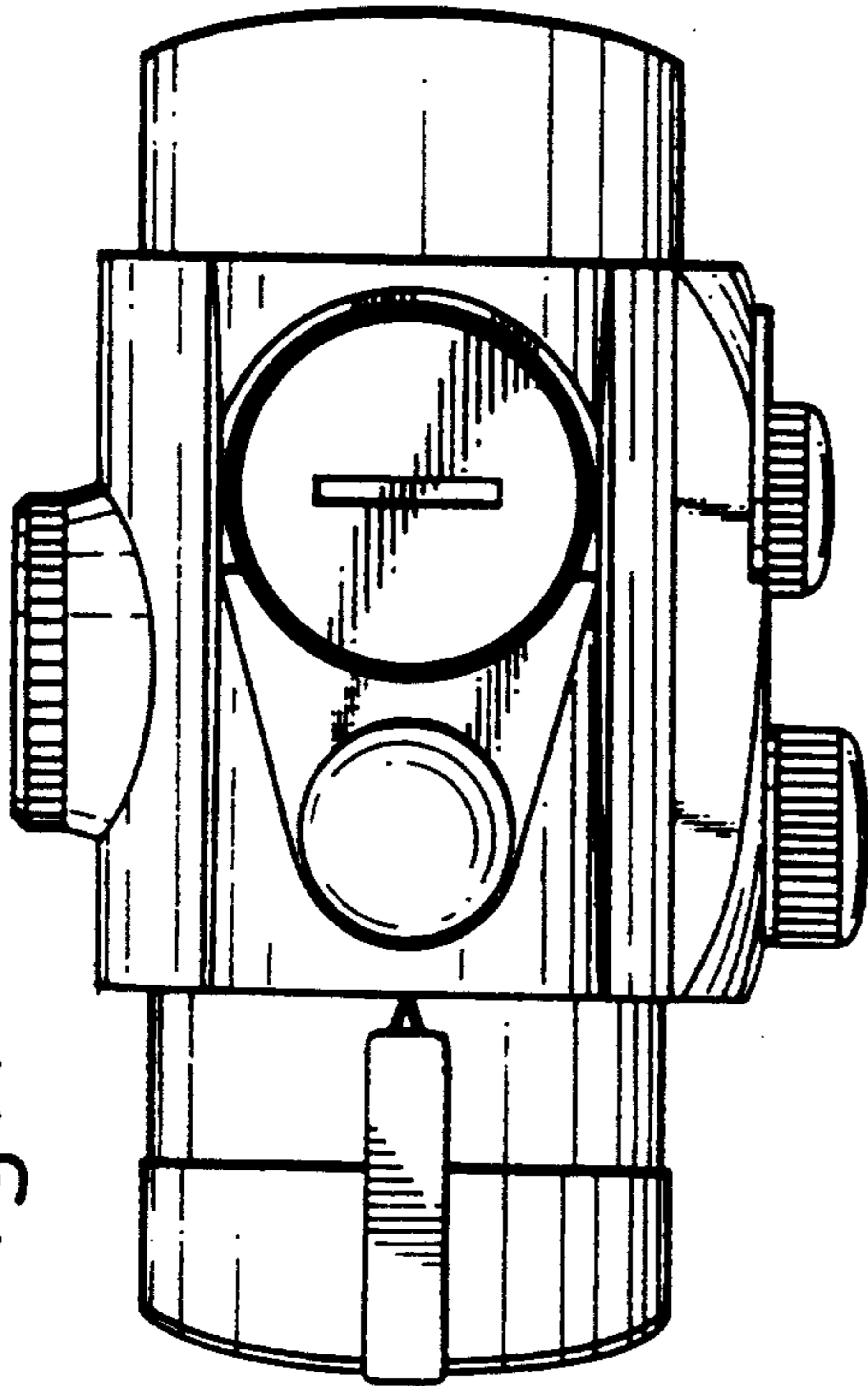


Fig.2

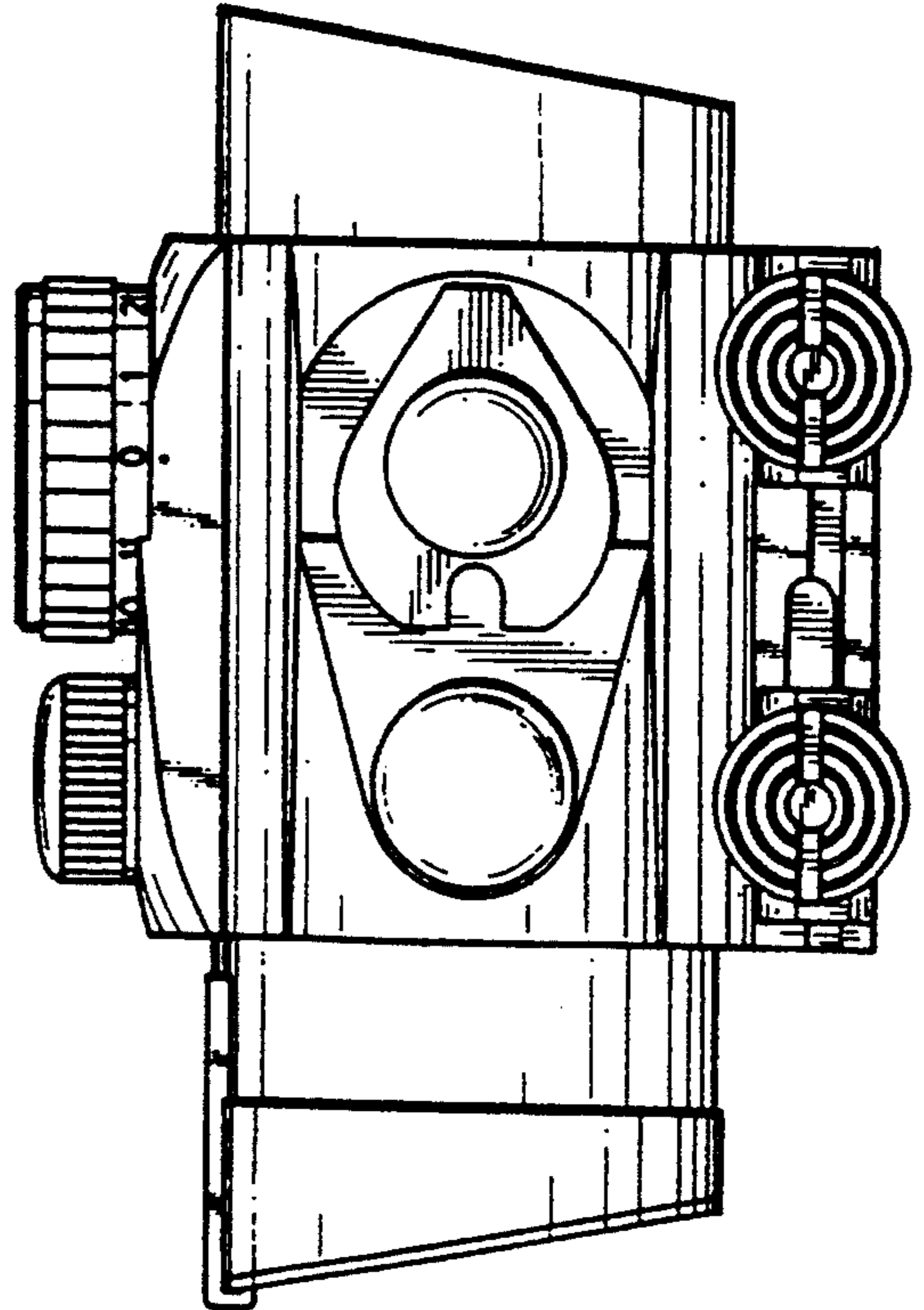


Fig.3

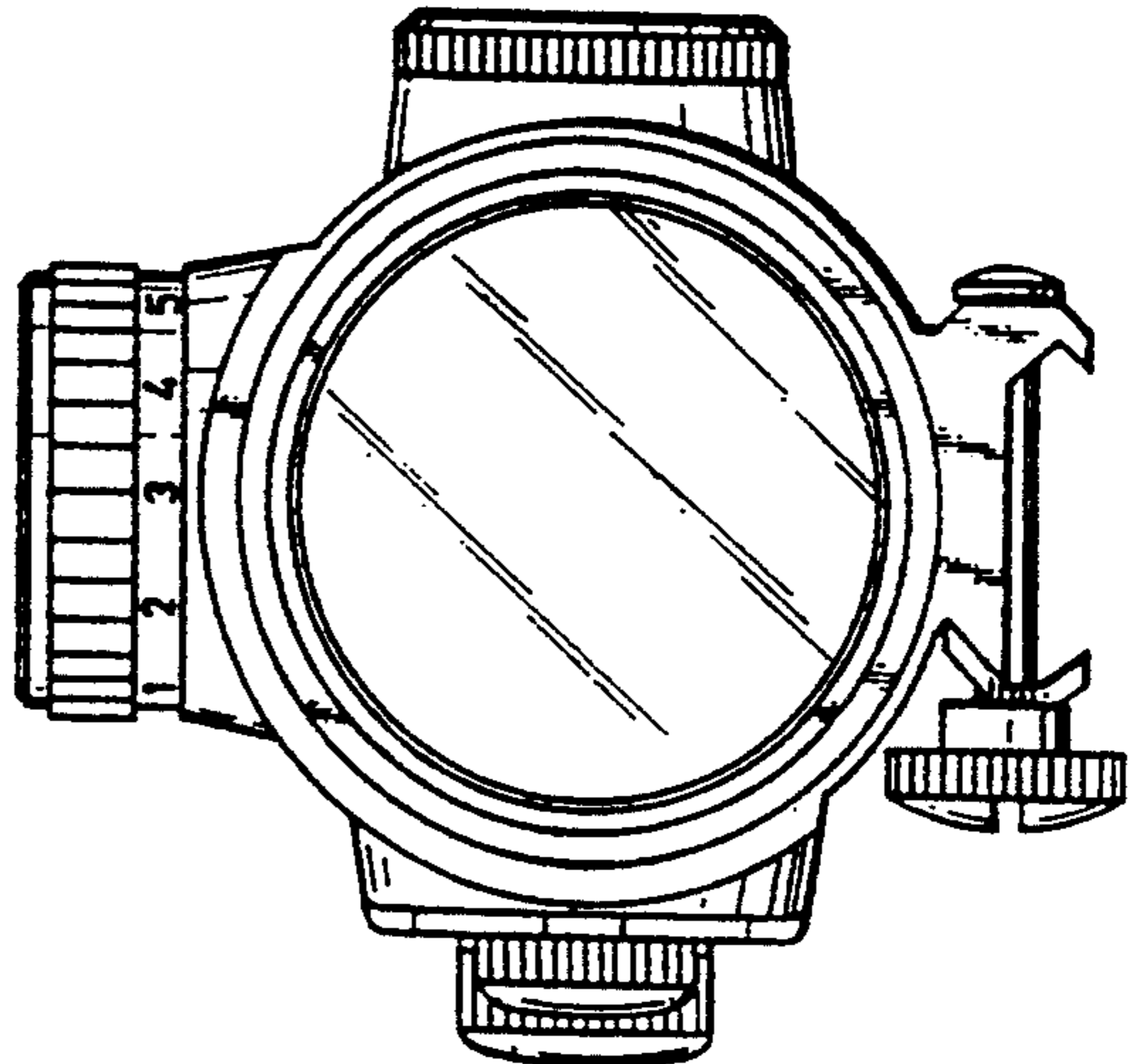


Fig.4

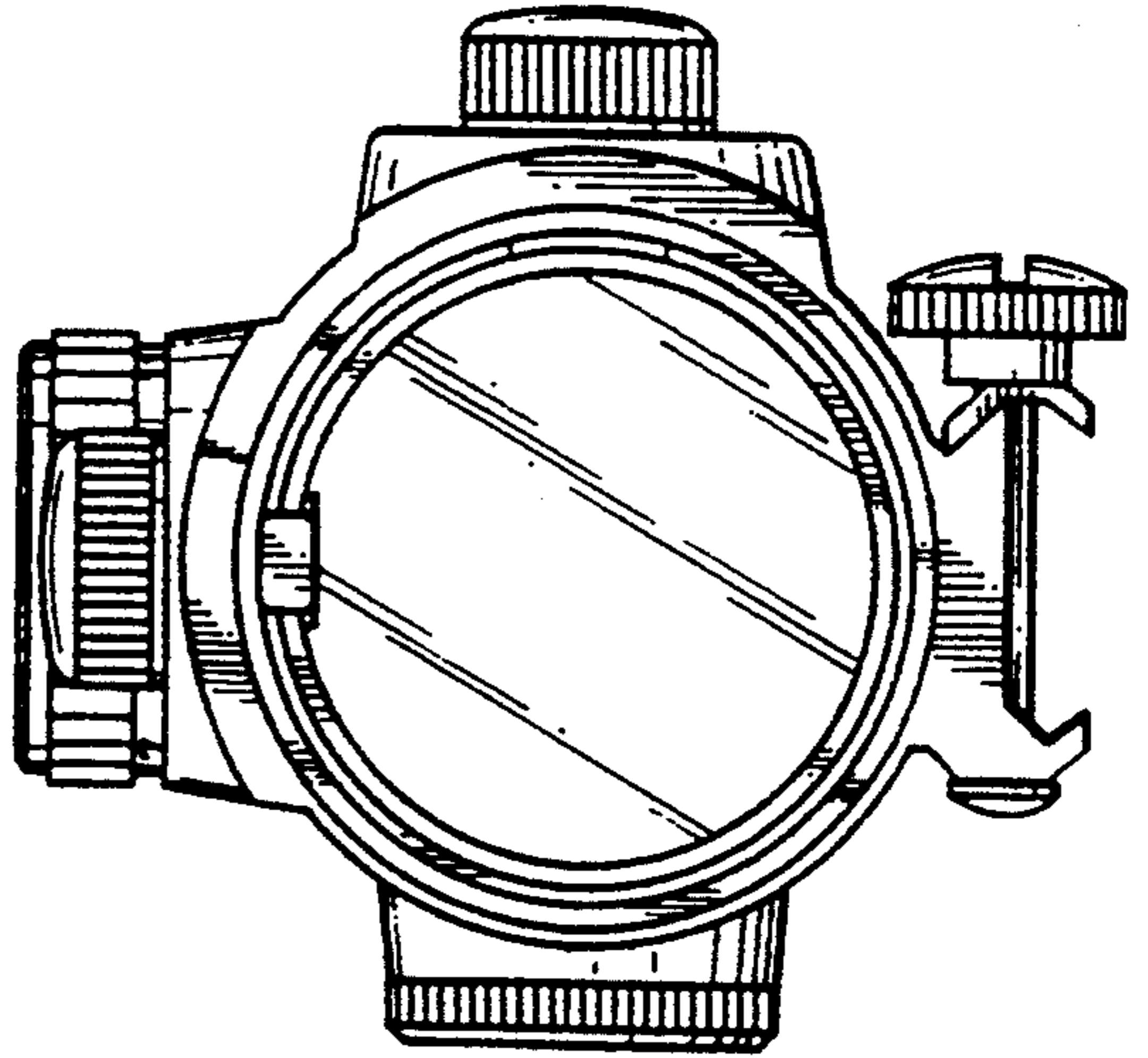


Fig. 5

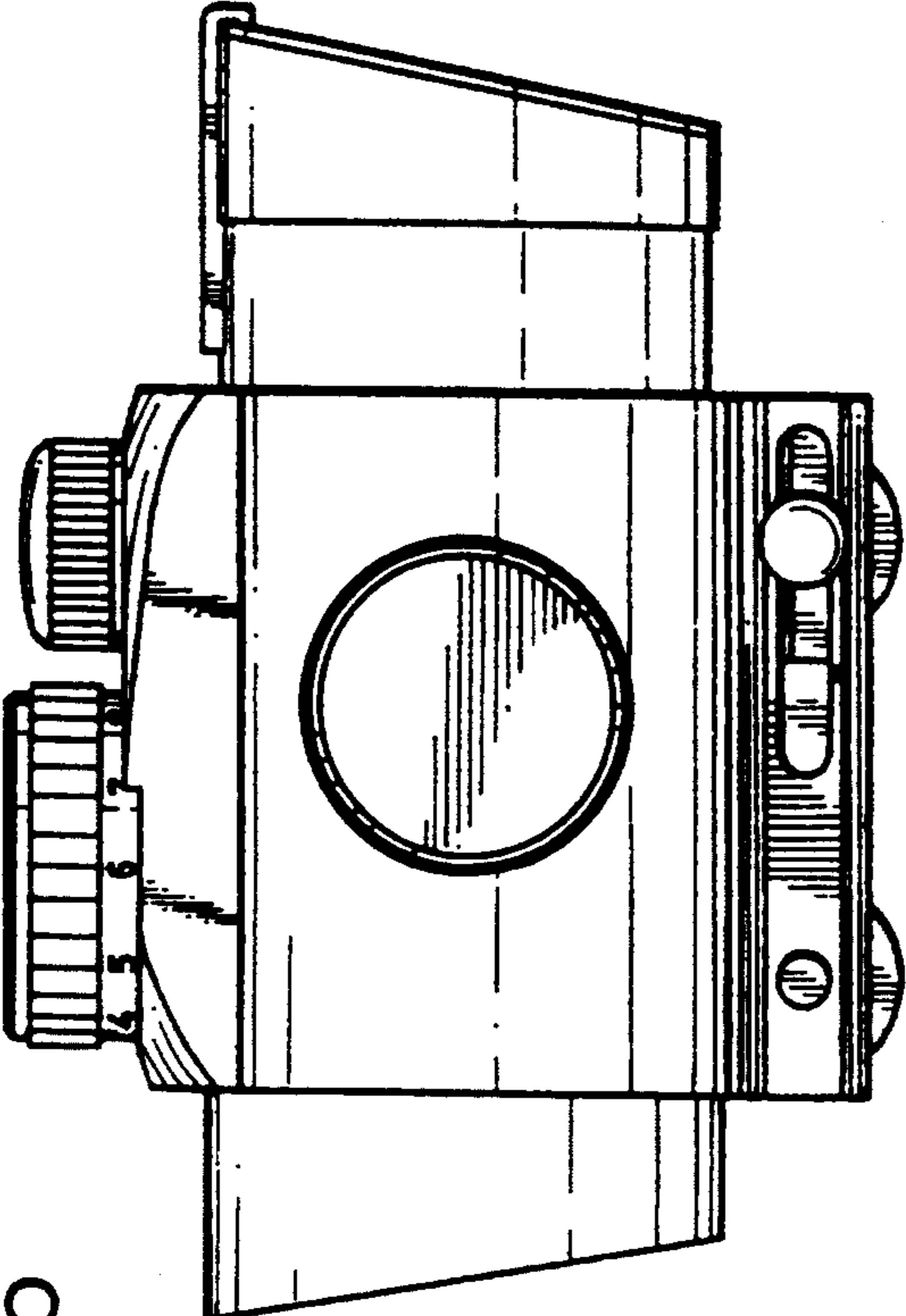


Fig. 6

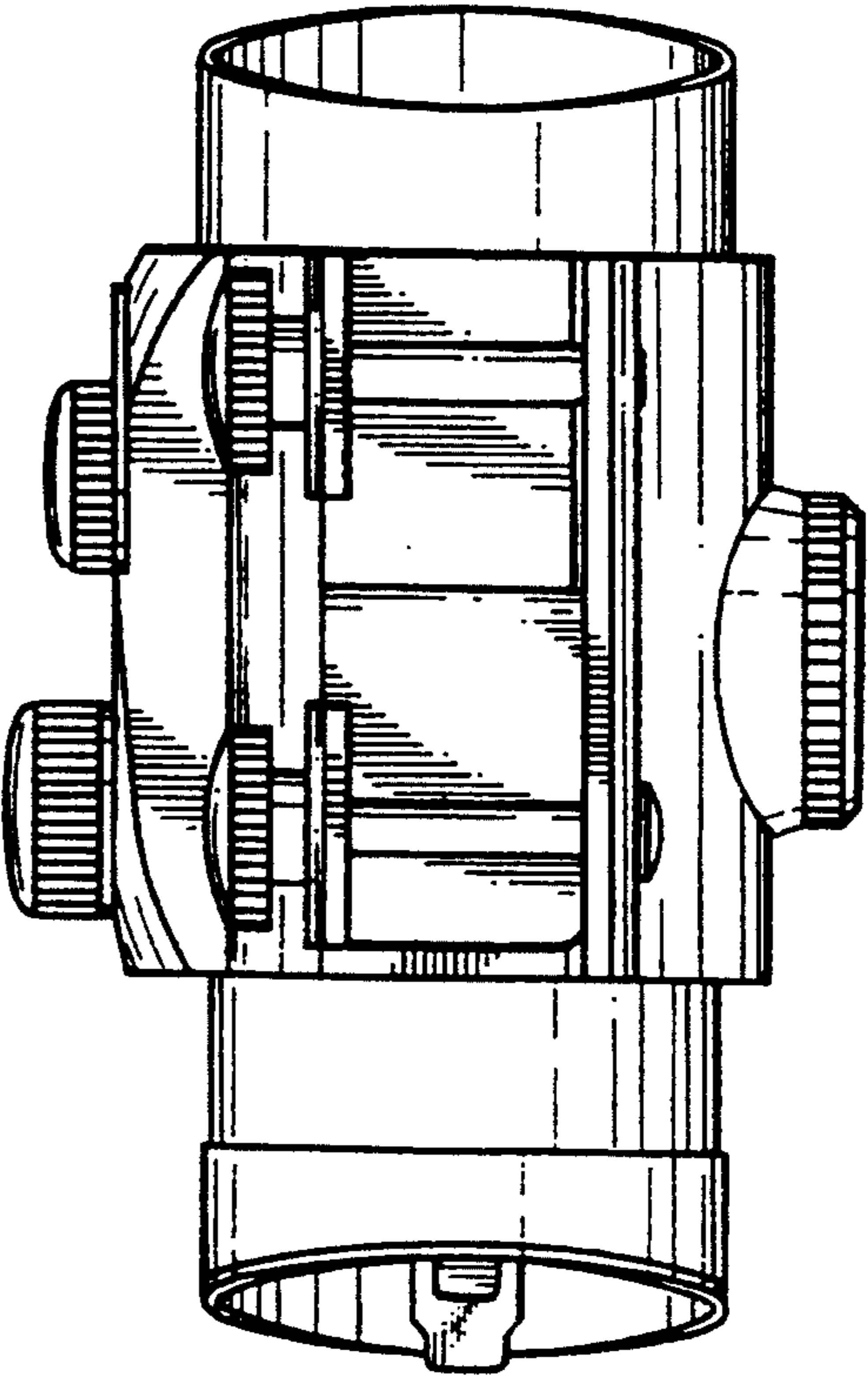




Fig. 7

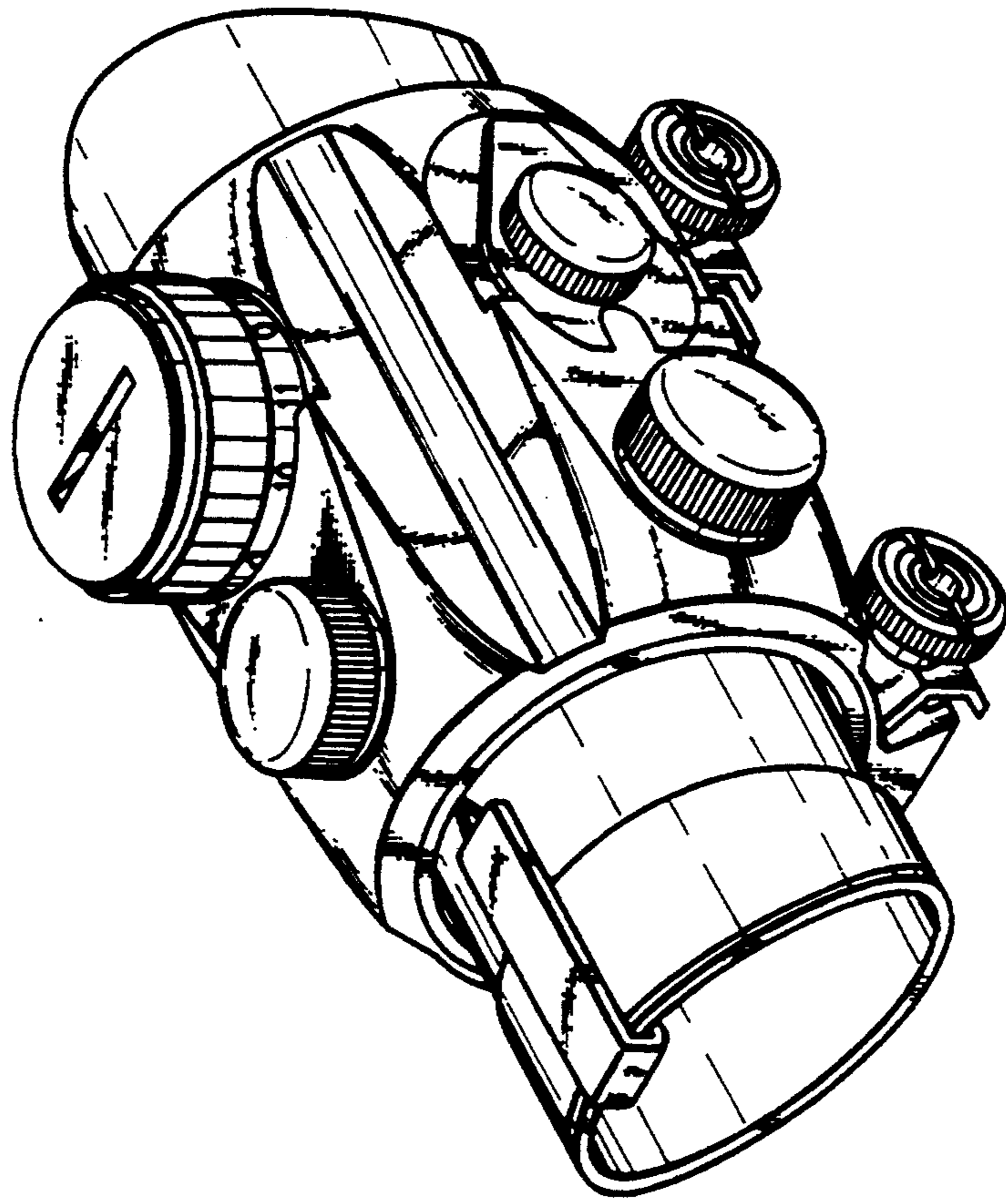


Fig. 8

