



US00D349506S

**United States Patent** [19]  
**Caruso et al.**

[11] **Patent Number: Des. 349,506**  
[45] **Date of Patent: \*\* Aug. 9, 1994**

- [54] **DISPENSING APPARATUS**
- [75] **Inventors:** James F. Caruso, Chicago; Kim D. Vollendorf, McHenry; Gregory W. Lantz, Wheaton; Walter B. Herbst, Evanston, all of Ill.
- [73] **Assignee:** Fluid Management Limited Partnership, Wheeling, Ill.
- [\*\*] **Term:** 14 Years
- [21] **Appl. No.:** 6,102
- [22] **Filed:** Mar. 23, 1993
- [52] **U.S. Cl. ....** D15/199; D15/147
- [58] **Field of Search ....** 222/43, 71, 135, 144, 222/144.5, 173, 251, 253, 254, 309; D15/147, 199

[56] **References Cited**

**U.S. PATENT DOCUMENTS**

D. 254,973	5/1980	Ahrens-kou-Sorensen	.....	D15/147
D. 262,628	1/1982	Meyer	.....	D15/122
D. 262,629	1/1982	Meyer	.....	D15/122
D. 327,895	7/1992	Edstrom	.....	D15/199
3,809,296	5/1974	Croslin	.....	222/309
5,119,973	6/1992	Miller et al.	.....	222/144

**FOREIGN PATENT DOCUMENTS**

346952 12/1967 Sweden ..... B44D 3/08

**OTHER PUBLICATIONS**

- "The Colour Philosity," 16 page Trade Brochure of (manufacturer) COROB (no date available).
- "Harbil Semi Automatic Color Dispenser," Brochure, 1 page, 2-sided, Harbil Manufacturing® A Division of Fluid Management Limited Partnership, Printed in USA/1991.
- "Automatic Color Dispenser—Harbil," (Model FA-80) Brochure, 1 page, 2-sided, Harbil Manufacturing, A Division of Fluid Management Limited Partnership (No date shown on brochure).
- "Automatic Color Dispenser—Harbil," Brochure, 3 pages, Harbil Manufacturing, A Division of Fluid Management Limited Partnership (No date shown on brochure).

(List continued on next page.)

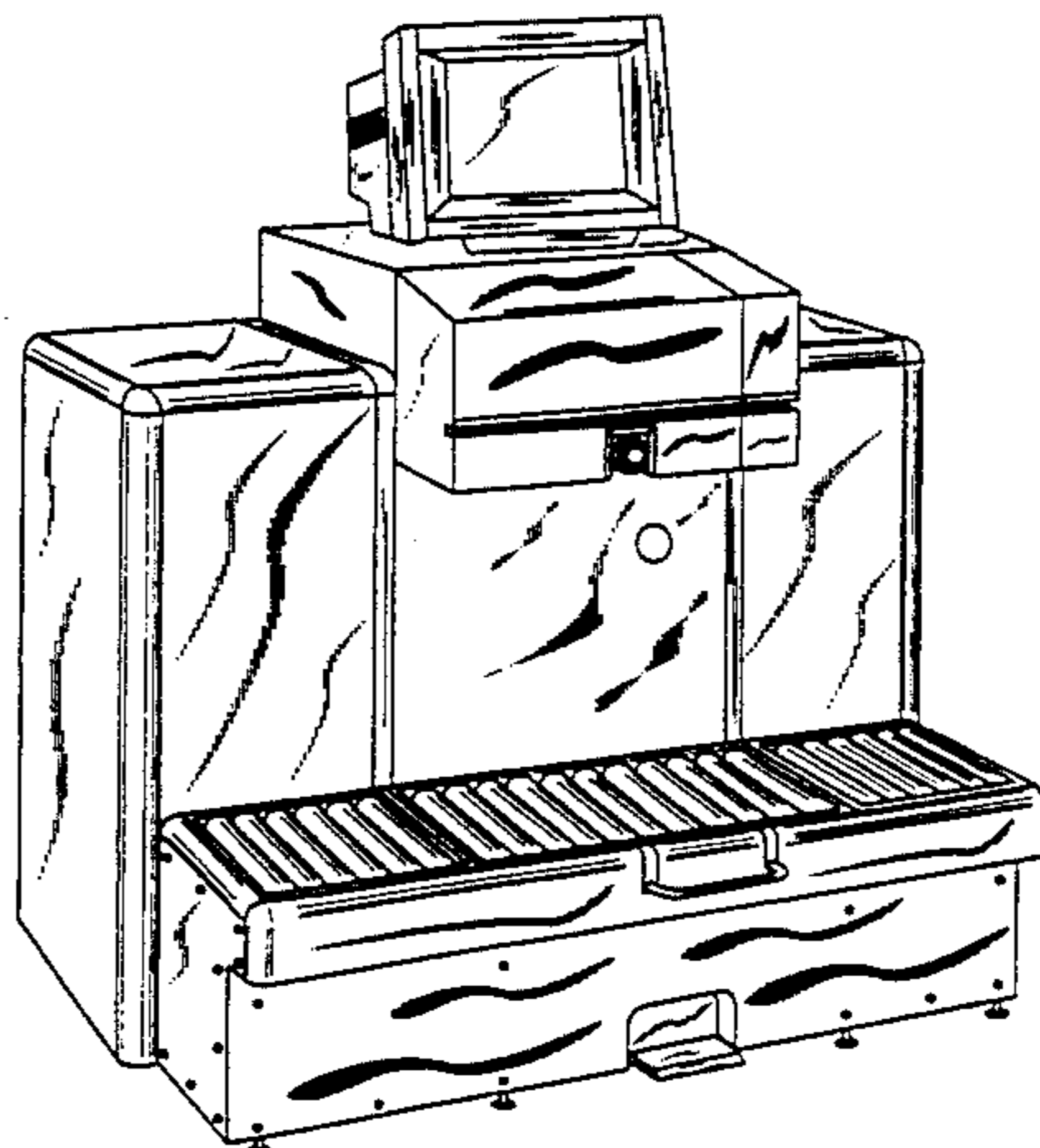
*Primary Examiner*—Alan P. Douglas  
*Assistant Examiner*—Antoine D. Davis  
*Attorney, Agent, or Firm*—Fitch, Even, Tabin & Flannery

[57] **CLAIM**

The ornamental design for a dispensing apparatus, as shown and described.

**DESCRIPTION**

FIG. 1 is a perspective view of an embodiment of dispensing apparatus according to our new design;  
 FIG. 2 is an elevational view from the right side thereof;  
 FIG. 3 is an elevational view from the left side thereof;  
 FIG. 4 is a front elevational view thereof;  
 FIG. 5 is a rear elevational view thereof;  
 FIG. 6 is a top plan view thereof;  
 FIG. 7 is a bottom plan view thereof;  
 FIG. 8 is a front elevational view similar to that of FIG. 4, but showing the central shelf portion in a raised position;  
 FIG. 9 is an elevational view from the right side thereof;  
 FIG. 10 is a perspective view similar to that of FIG. 1, but showing an alternate panel with two operating handles;  
 FIG. 11 is an elevational view from the right side thereof;  
 FIG. 12 is an elevational view from the left side thereof;  
 FIG. 13 is a front elevational view thereof;  
 FIG. 14 is a rear elevational view thereof;  
 FIG. 15 is a top plan view thereof;  
 FIG. 16 is a bottom plan view thereof;  
 FIG. 17 is a front elevational view similar to that of FIG. 13, but showing the center shelf portion in a raised position;  
 FIG. 18 is an elevational view taken from the right side thereof;  
 FIG. 19 is a perspective view similar to that of FIG. 1, but showing a window in the front panel; and,  
 FIG. 20 is a perspective view similar to that of FIG. 10, but showing a window in the front panel.  
 All views not shown in FIGS. 19 and 20 are identical to those disclosed in FIGS. 1-9 and 10-18 respectively, except for the window feature.



## OTHER PUBLICATIONS

Merris Brochure describing 16 Pump Carousel 25 Litre Model 16PC-25-0 w/16 Pump Base Unit 25 Litre Model 16BU-25-0; Twin Turntable Dispensing Machine with Minimix Shaker; and various other products along the same line.

Merris Development Engineers Ltd., Berks, SL6 1AP, England (No date shown on brochure).

"Miller Accutinters," 1 page, 2-sided Brochure RA904-6/ACCHIGH, Printed in USA, Miller Manufacturing® A Division of *Fluid Management* Limited Partnership (No date shown on brochure).

"Miller Accutinter® 300 Colorant Dispenser," 1 page, 2-sided Brochure RA9019/ACC300, Printed in USA, Miller Manufacturing® A Division of *Fluid Management* Limited Partnership (No date shown on brochure).

"Miller Accutinter® 4000 Colorant Dispenser," 1 page, 2-sided Brochure RA9114/ACC4000, Printed in USA, Miller Manufacturing® A Division of *Fluid Management* Limited Partnership (No date shown on brochure).

"Miller Accutinter® 400 Colorant Dispenser," 1 page, 2-sided Brochure RA9019/ACC400, Printed in USA, Miller Manufacturing® A Division of *Fluid Management* Limited Partnership (No date shown on brochure).

"Miller Accutinter® 600 Fluid Dispenser," 1 page, 2-sided Brochure RA90108/ACC600, Printed in USA, Miller Manufacturing® A Division of *Fluid Management* Limited Partnership (No date shown on brochure).

"Miller Accutinter® 3000 Fluid Dispenser," 1 page, 2-sided Brochure RA9019/ACC3000, Printed in USA, Miller Manufacturing® A Division of *Fluid Management* Limited Partnership (No date shown on brochure).

"Eliminating Waste To Protect The Environment," 10 page Brochure with 1 page, 2-sided insert brochure RA9143 of V.I.P. System 200 TM, Federal International Chemicals, Chicago, Ill. (No date shown on brochure).

"Capamix—Das maschinelle Sofort-Mischsystem für Farbe, Lack und Putz," 18 page Brochure, Caparol Farben GmbH & Co. KG, Ober-Ramstadt (brochure shows Stand: 1991).

"Fully Automatic Color Dispenser," 3 page Brochure, Harbil International C.V., A Division of *Fluid Manage-*

*ment* Limited Partnership, Sassenheim, Holland (No date shown on brochure).

"Fully Automatic Color Dispenser," 1 page, 2-sided Brochure, and 3 page brochure Harbil International C.V., A Division of *Fluid Management* Limited Partnership, Sassenheim, Holland (No date shown on brochure).

"The Eurotinter: A Powerfull and Well Researched Concept.," 1 page brochure, Ateliers Sussmeyer S.A., Bruxelles (No date shown on brochure).

"Eurotinter E-12-AS and E-16-AS—An Avalanche of Possibilities," 1 page brochure, Ateliers Sussmeyer S.A., Bruxelles (No date shown on brochure).

"E. T. Junior: Low Investment For Tinting Paints and Varnishes For Retail Distribution," 1 page brochure, Ateliers Sussmeyer S.A., Bruxelles (No date shown on brochure).

"From Retail Shop To In-Plant Production Unit—The Eurotinter," 1 page brochure, Ateliers Sussmeyer S.A., Bruxelles (No date shown on brochure).

"Red Devil® 700 Series—Horizontal Pump, Colorant Dispensers," 2 page brochure 1-2129, Red Devil, Inc., Union, N.J. (brochure shows Nov. 1986).

"Strazdins International P/L. Presents 'Access to Accuracy' The Blendorama 21-PD 2 oz Colorant Dispenser," 4 page Brochure, Internatio-Alchemij Handelsmaatschappij B.V., Rotterdam (Not date shown on brochure).

"Harbil Dual Pump Dispensers," Brochure, 1 page, 2-sided, Harbil Manufacturing® A Division of *Fluid Management* Limited Partnership, Wheeling, IL, Printed in USA/1991.

"Harbil Color Dispenser—NSC Compact Model Plus Add-On Dispensers," Brochure, 1 page, 2-sided, Harbil Manufacturing® A Division of *Fluid Management* Limited Partnership, Wheeling, Ill., Printed in USA/1991.

"Harbil Color Dispenser—NSC 80 Compact Model—Plus Add-On Dispensers," Brochure, 1 page, 2-sided, Harbil Manufacturing® A Division of *Fluid Management* Limited Partnership, Wheeling, Ill., Printed in USA/1991.

"Harbil Compact Color Dispenser," Brochure, 1 page, 2-sided, Harbil Manufacturing® A Division of *Fluid Management* Limited Partnership, Wheeling, Ill., Printed in USA/1991.

"SC Compact Models—Color Dispensers—Harbil International," Brochure, 1 page, 2-sided, Harbil Interna-

(List continued on next page.)

## OTHER PUBLICATIONS

tional, Harbil International C.V., A Division of *Fluid Management* Limited Partnership, Sassenheim, Holland (No date shown on brochure).

"SC 80 Compact Models—Color Dispensers—Harbil International," Brochure, 1 page, 2-sided, Harbil International, Harbil International C.V., A Division of *Fluid Management* Limited Partnership, Sassenheim, Holland (No date shown on brochure).

"Floor Model—Paint Mixer and Counter Model—Harbil International," Brochure, 1 page, 2-sided, Harbil International, Harbil International BV, Sassenheim, Holland (U.S. Pat. No. 4,235,553—No date shown on brochure).

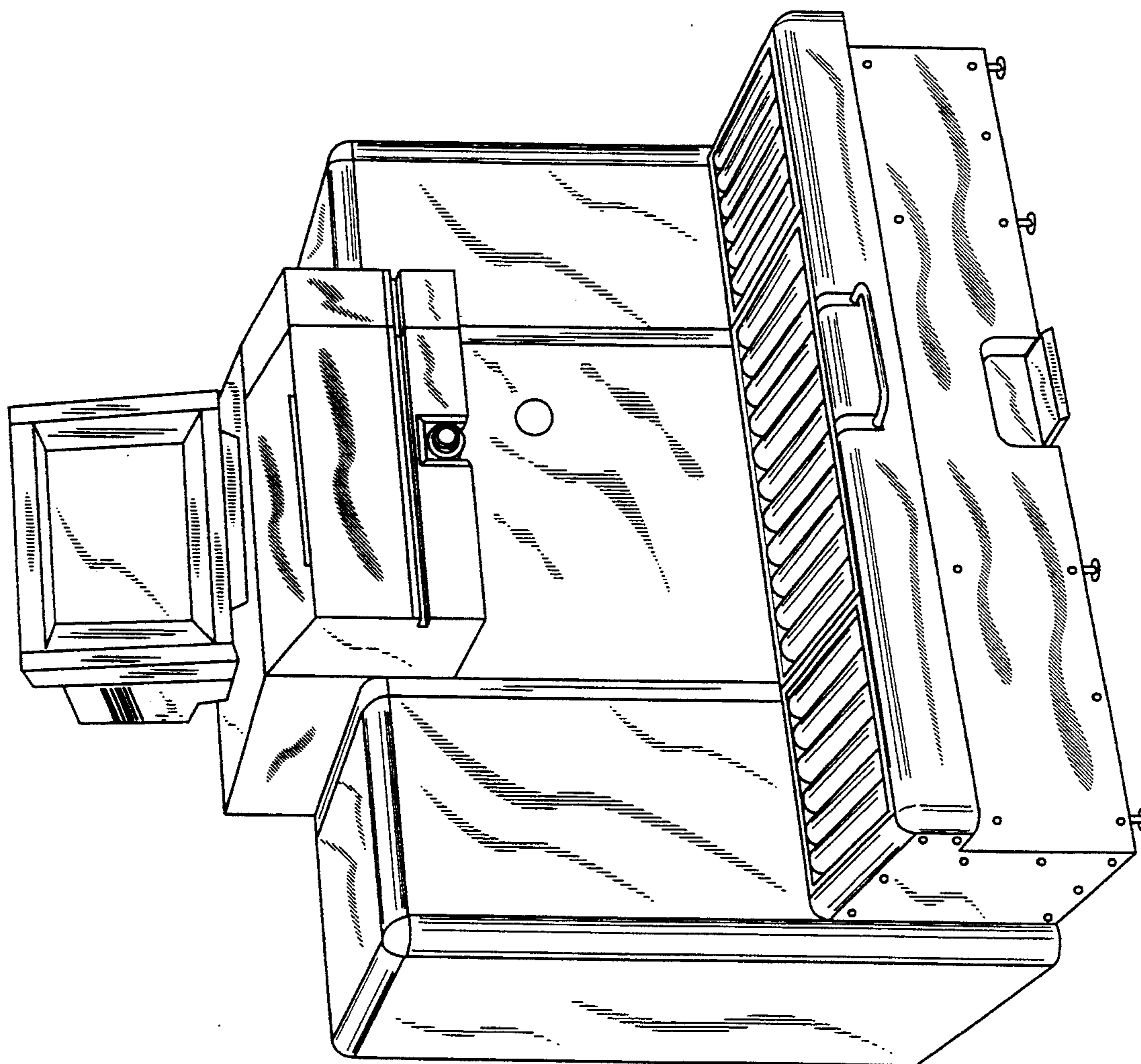
"Dual Pump Model—Color Dispenser—Harbil International," Brochure, 1 page, 2-sided, Harbil International, Harbil International C.V., A Division of *Fluid Management* Limited Partnership, Sassenheim, Holland (No date shown on brochure).

"Inline Dual Pump Model—Color Dispenser—Harbil," Brochure, 1 page, 2-sided, Harbil Limited Partnership, Wheeling, Ill. (No date shown on brochure).

"Miller Tintmaster® Colorant Dispensers," 1 page, 2-sided Brochure RA9019/TCD, Printed in USA, Miller Manufacturing® A Division of *Fluid Management* Limited Partnership, Addison, Ill. (No date shown on brochure).

"News Release . . . : V.I.P. System 200: A System For Dispensing Coating Components In Exact Ratios and Quantities Without the Hassle of Dealing With Small Packages," To Agency: Rowe Associates; #9145 News Release—V.I.P. System 2000, Federal International Chemicals, Chicago, Ill., 3 pp., 1 photograph of model (Aug. 20, 1991).

"V.I.P. System 200™," 1 page, 2-sided Brochure RA9143, Printed in USA, Federal International Chemicals, Chicago, Ill. (No date shown on brochure).



*Fig. 1*

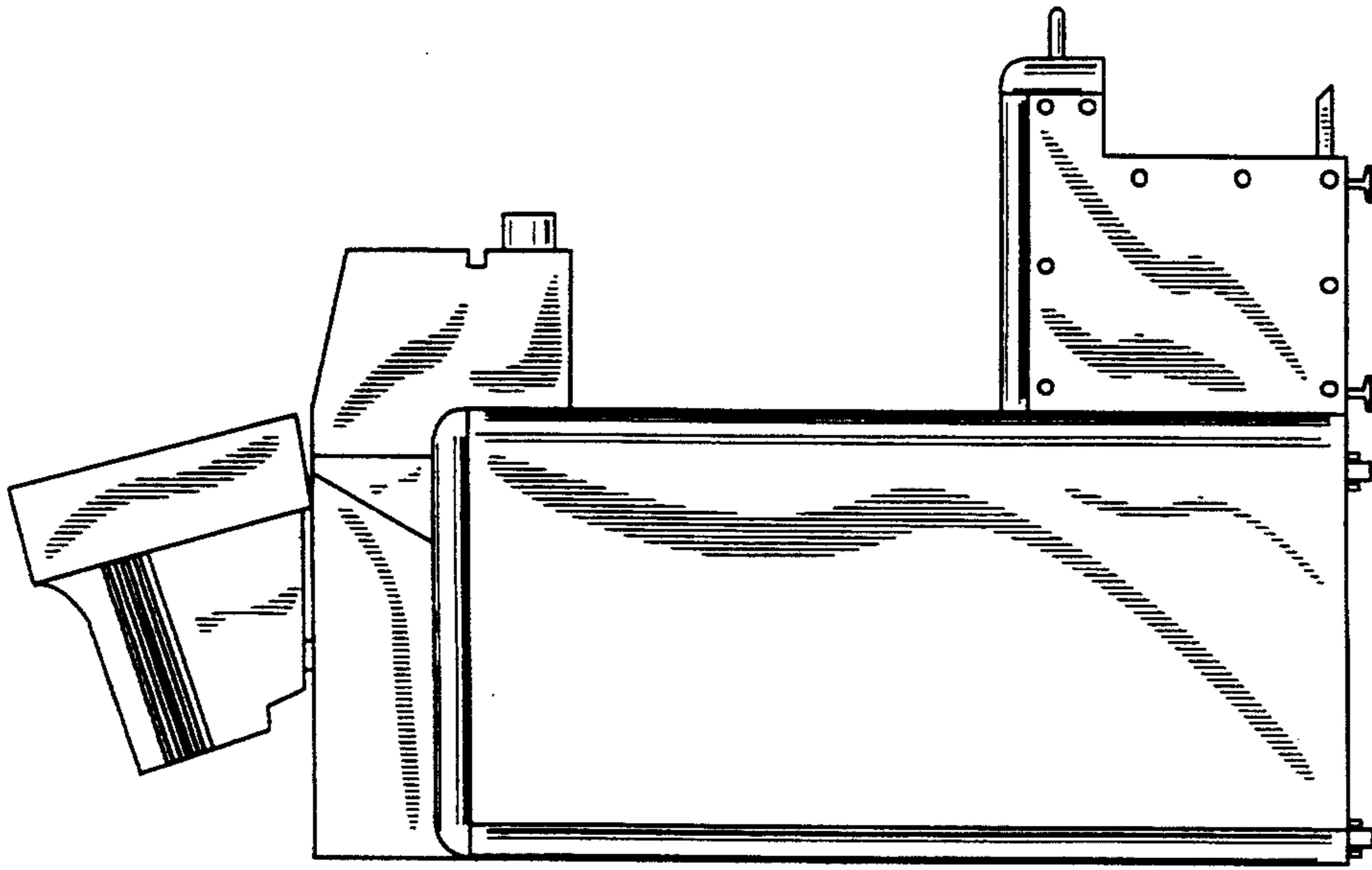


Fig. 3

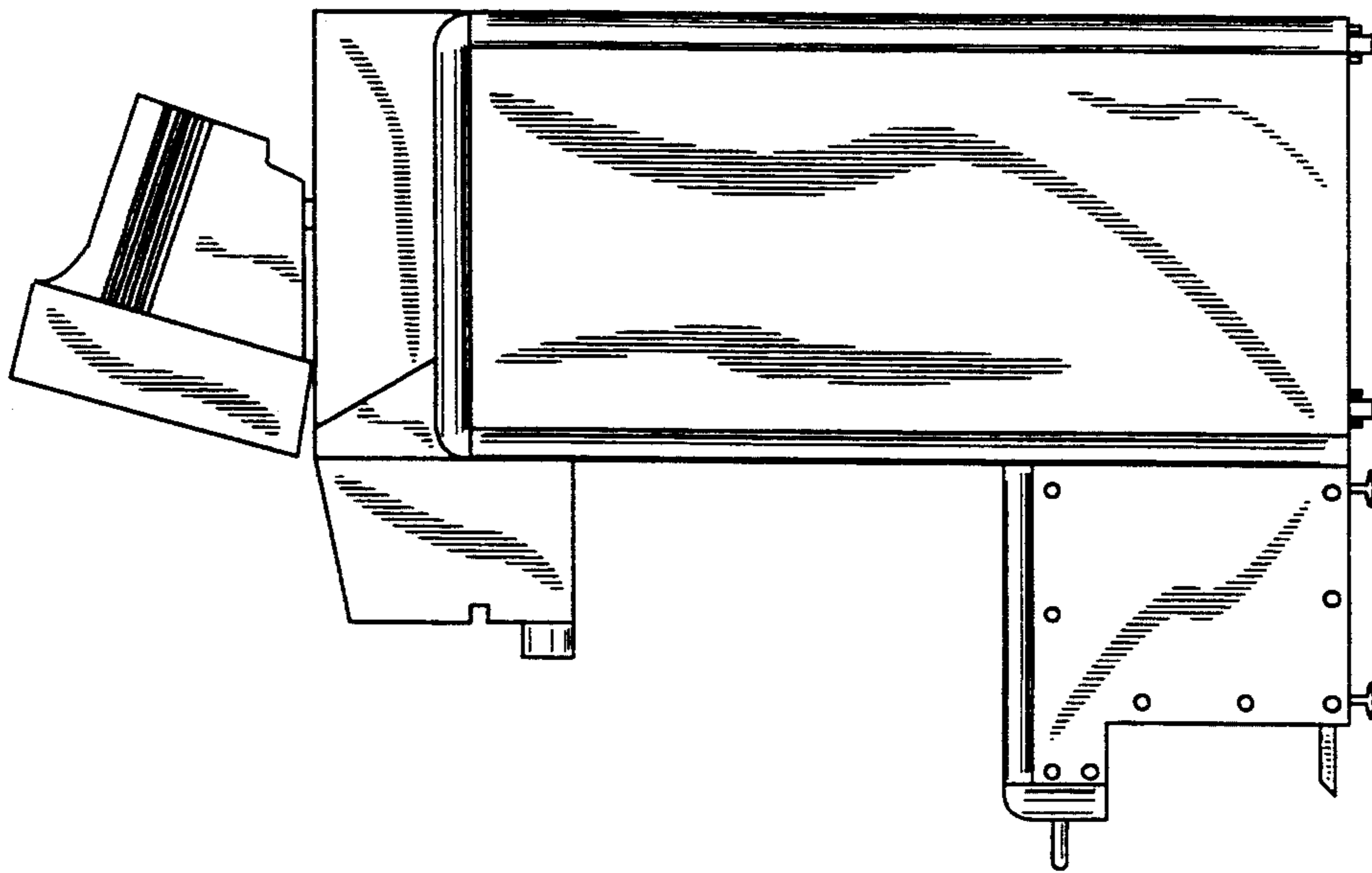


Fig. 2

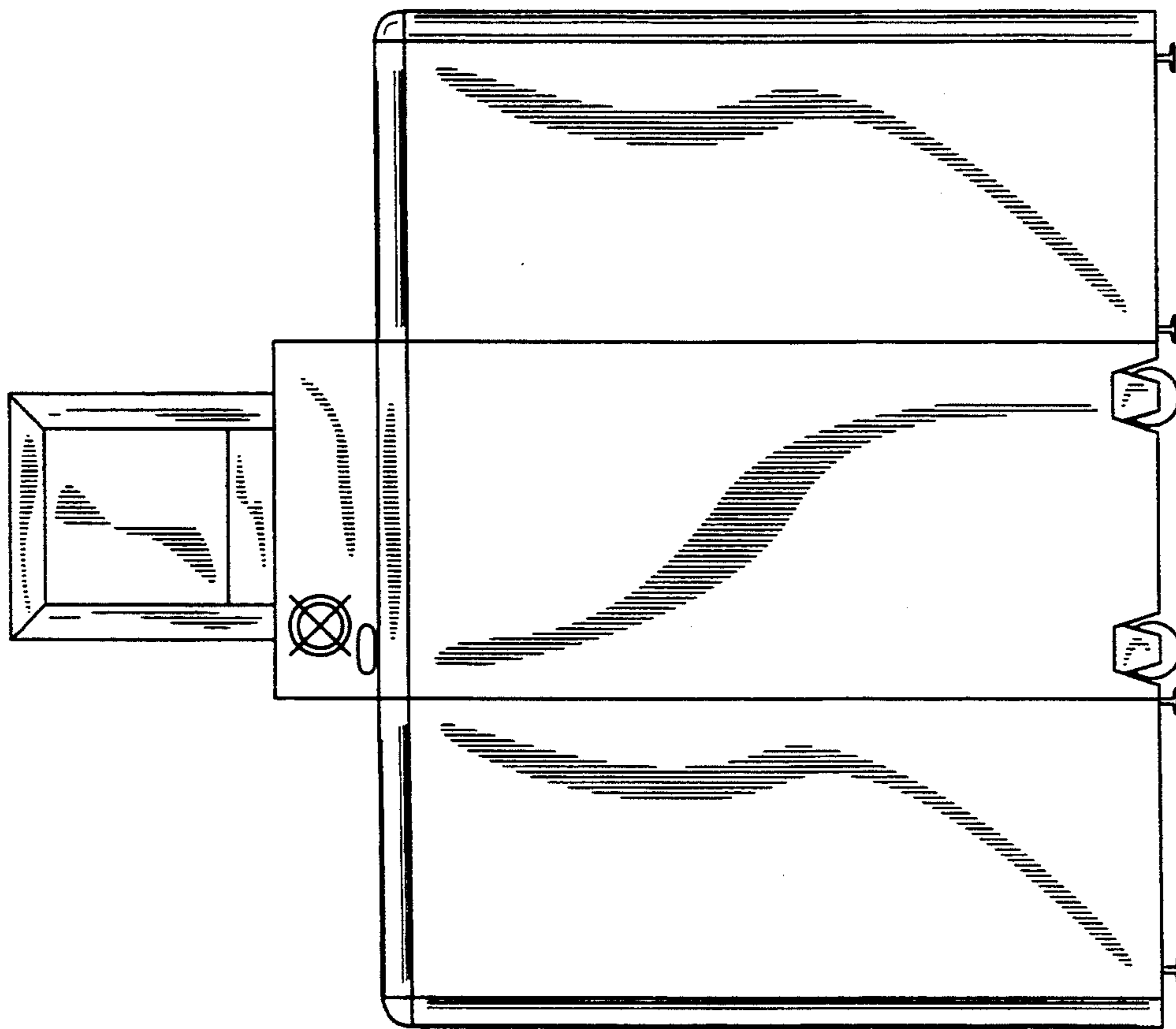


Fig. 5

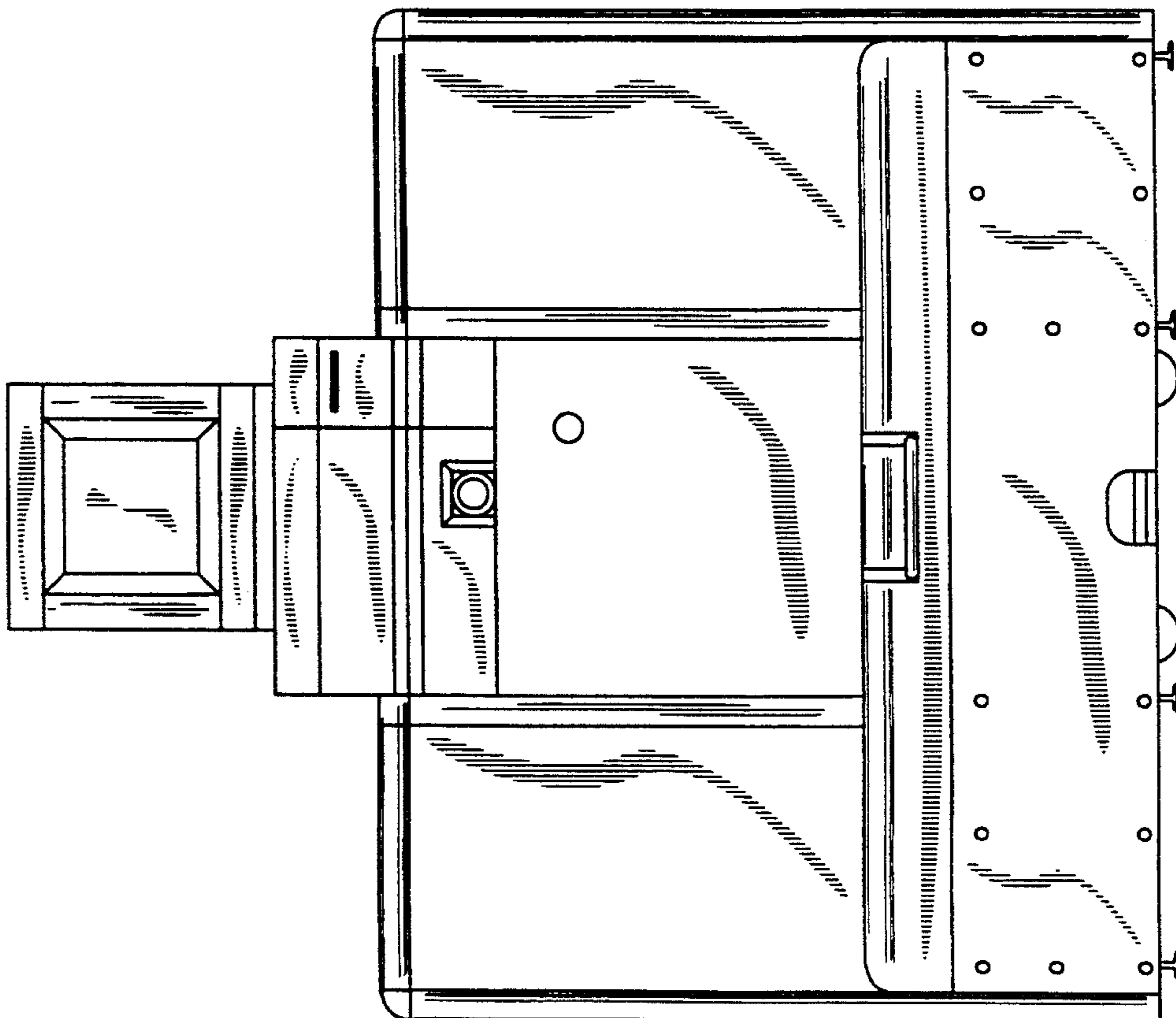


Fig. 4

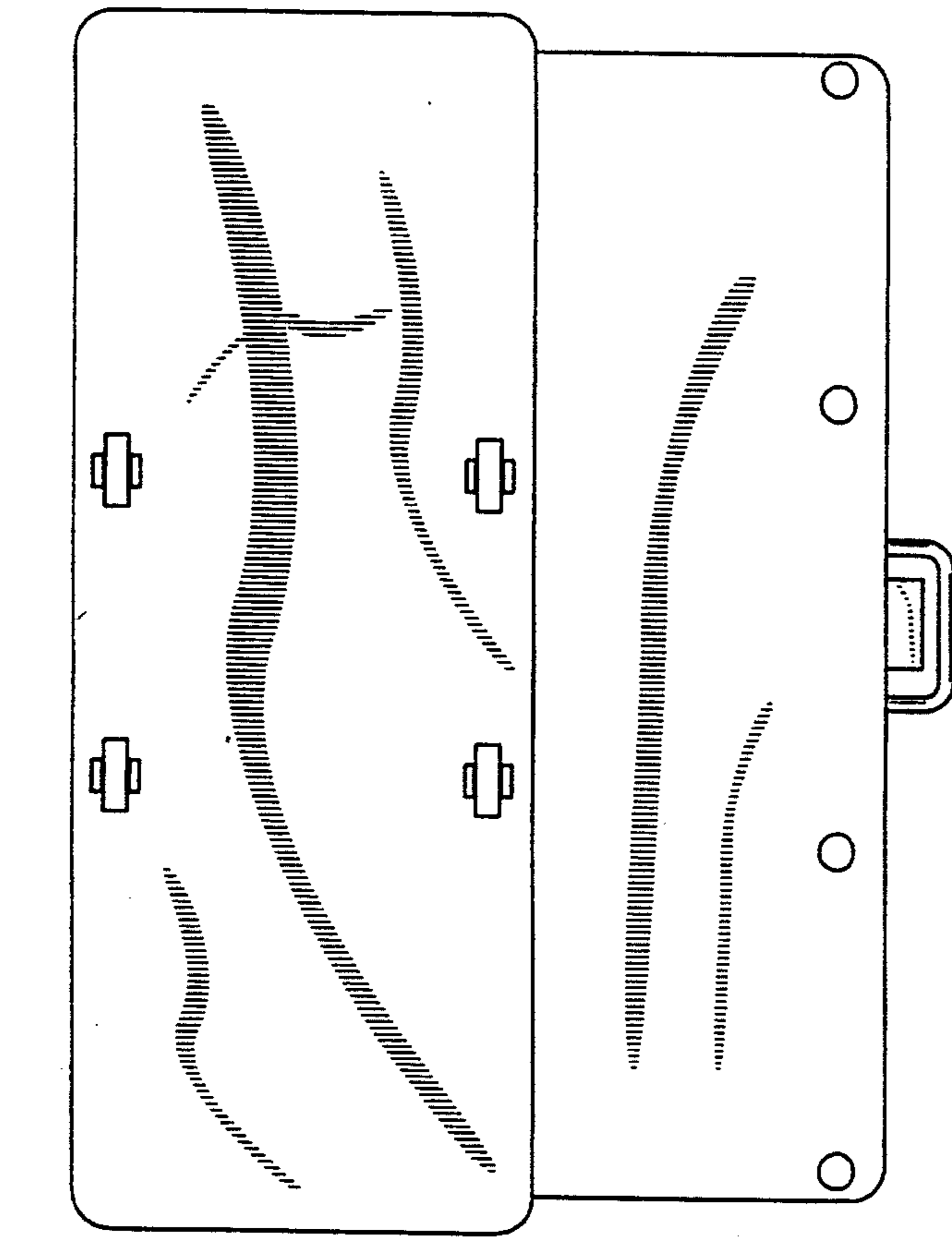


Fig. 6

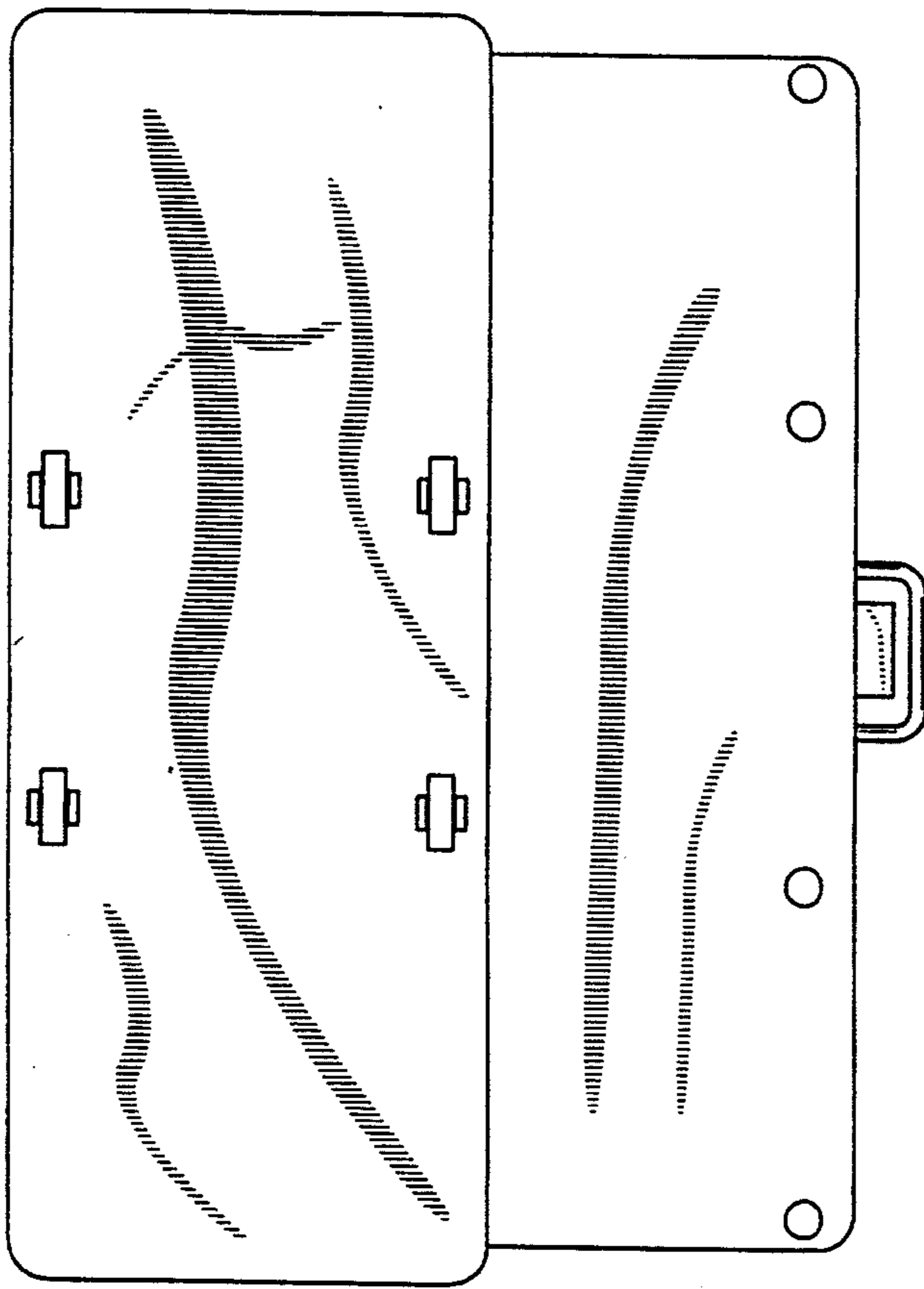


Fig. 7

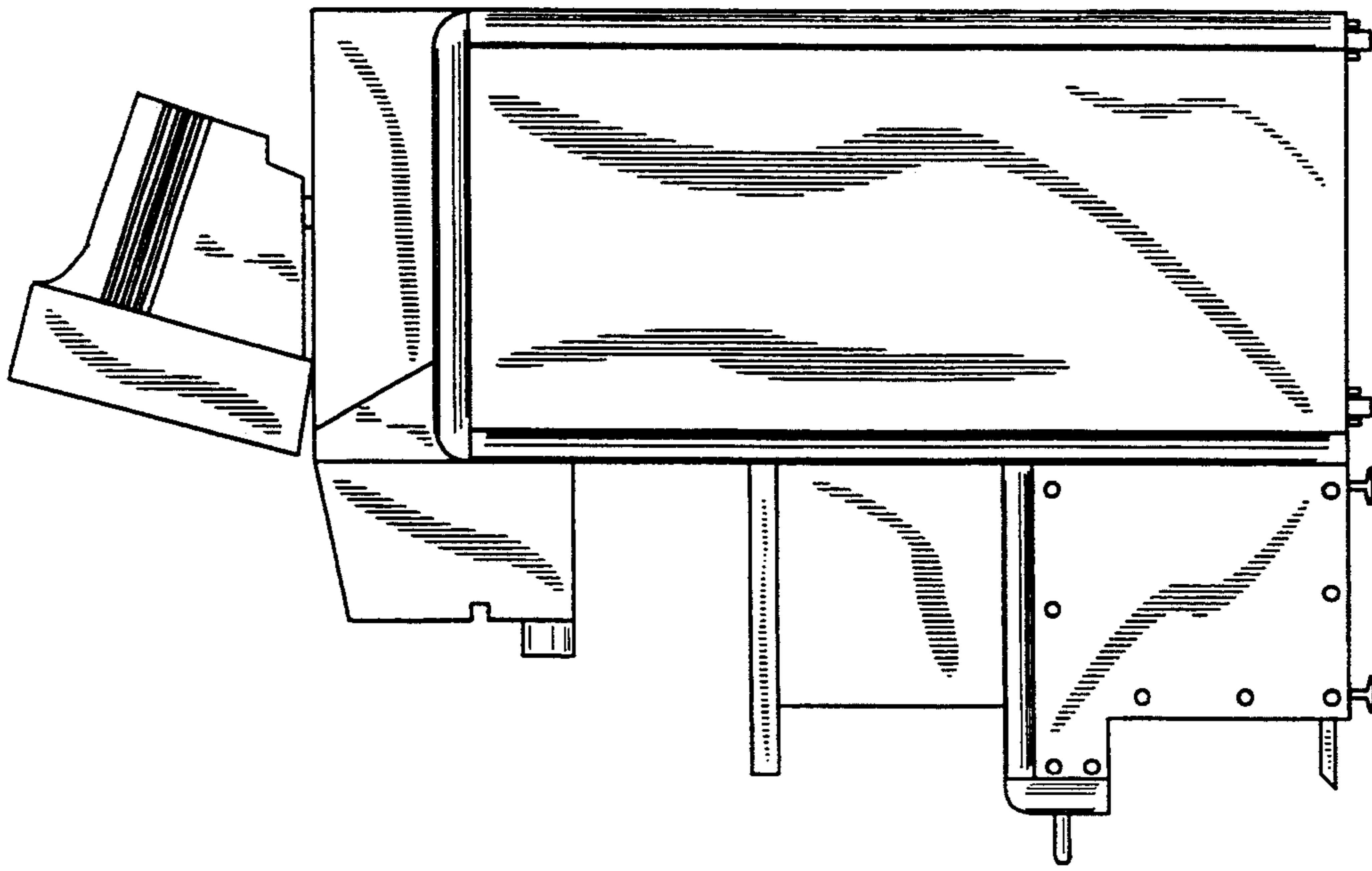


Fig. 9

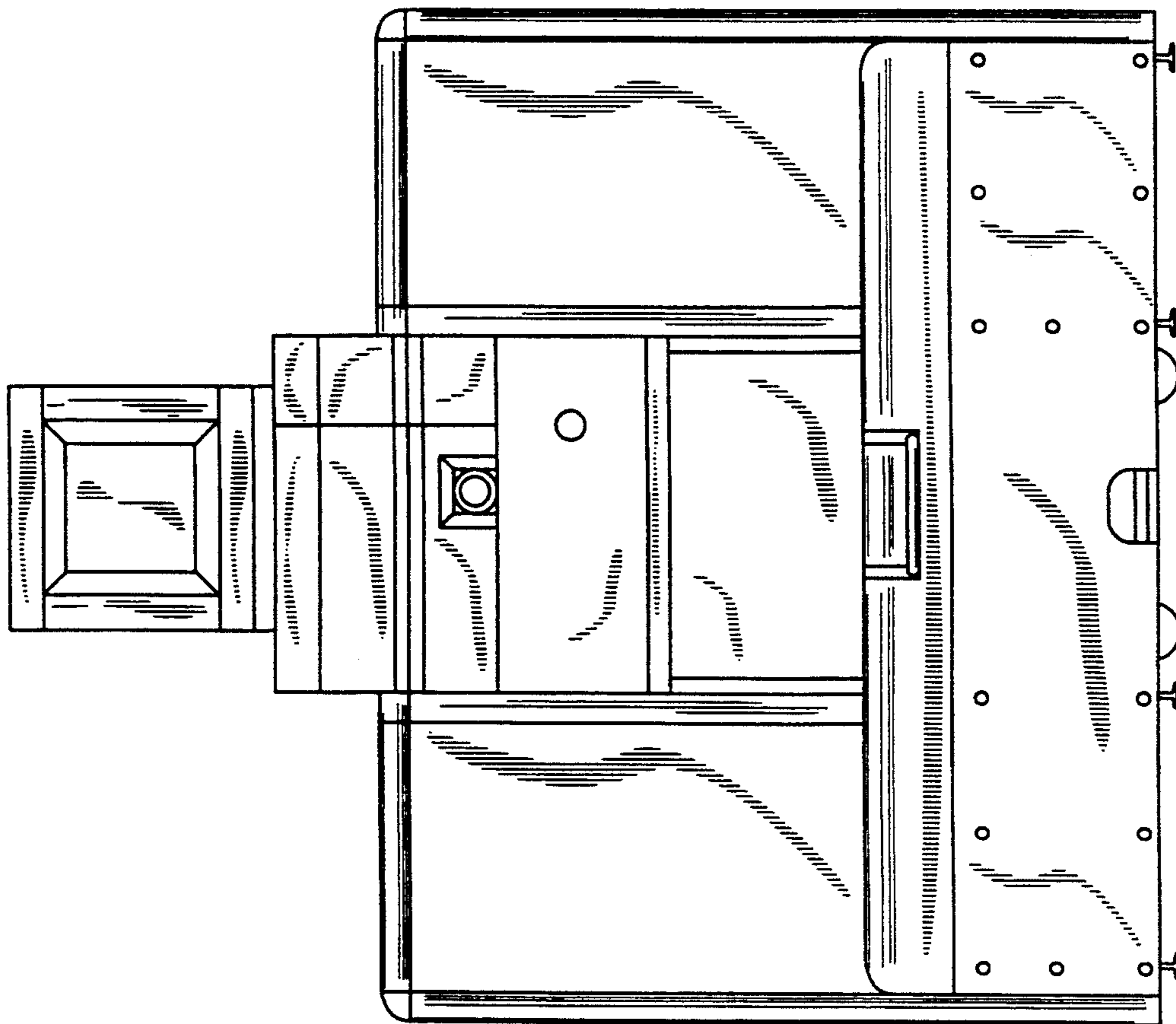


Fig. 8



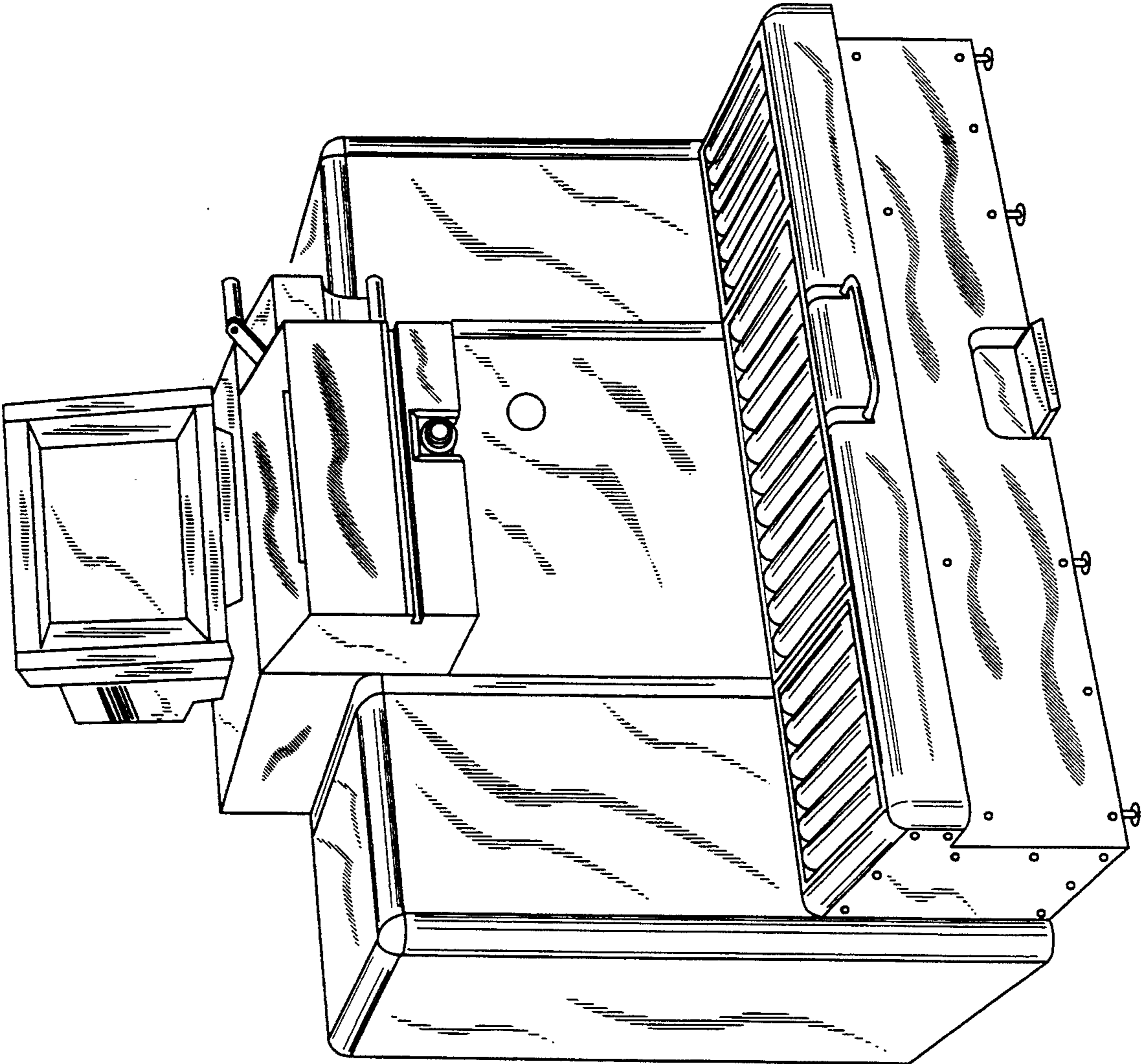
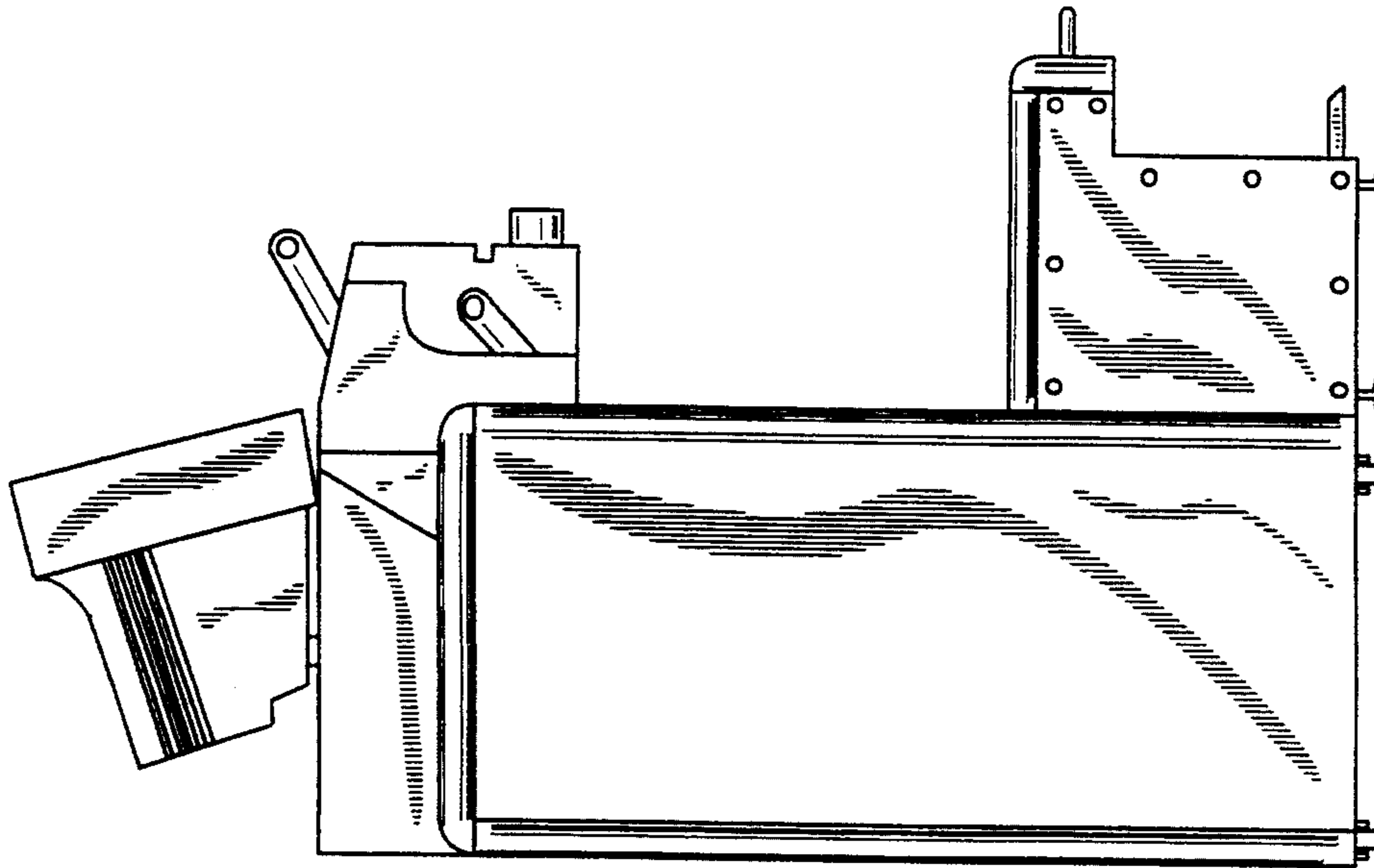
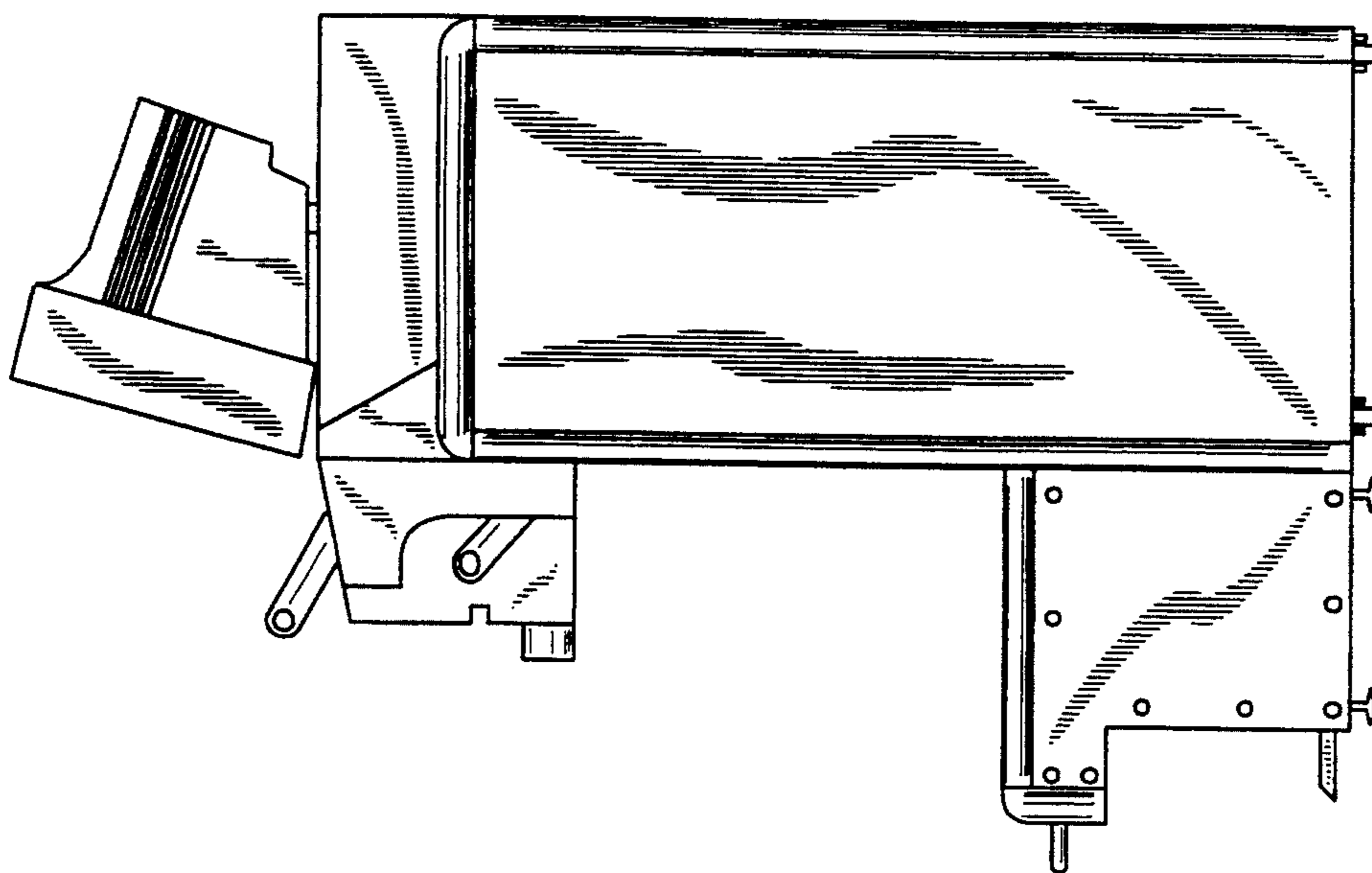


Fig. 10



*Fig. 11*



*Fig. 12*

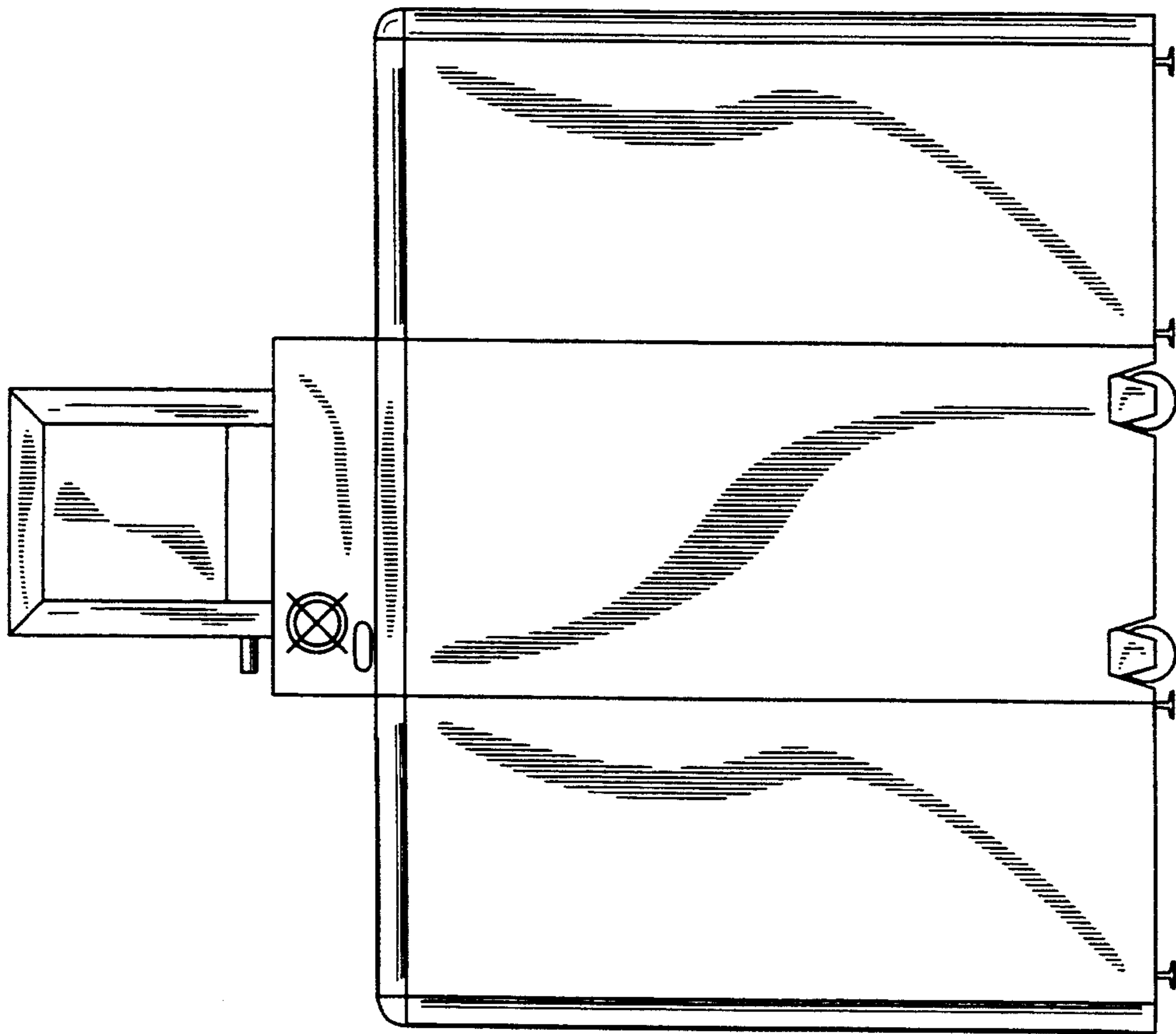


Fig. 13

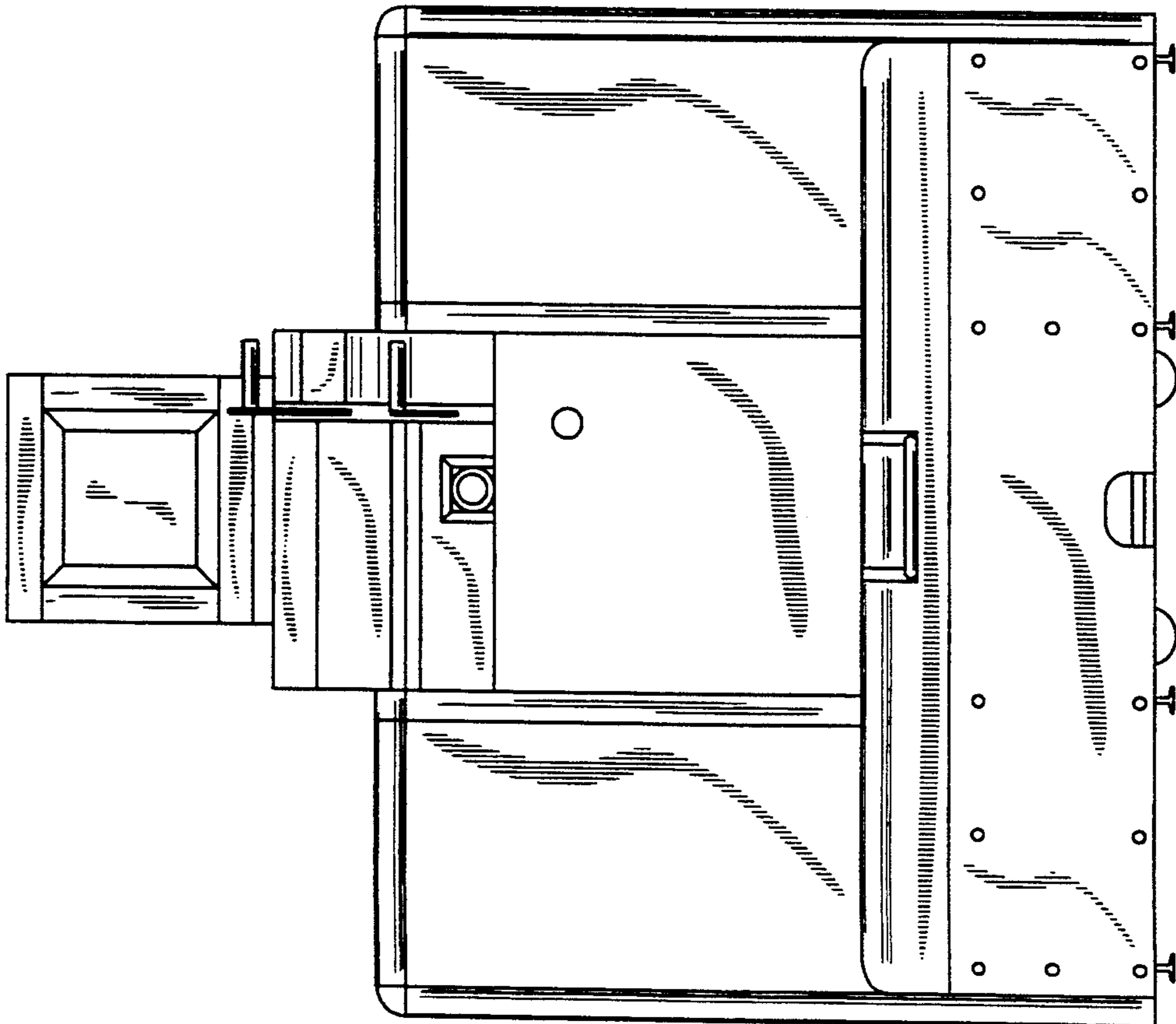


Fig. 14

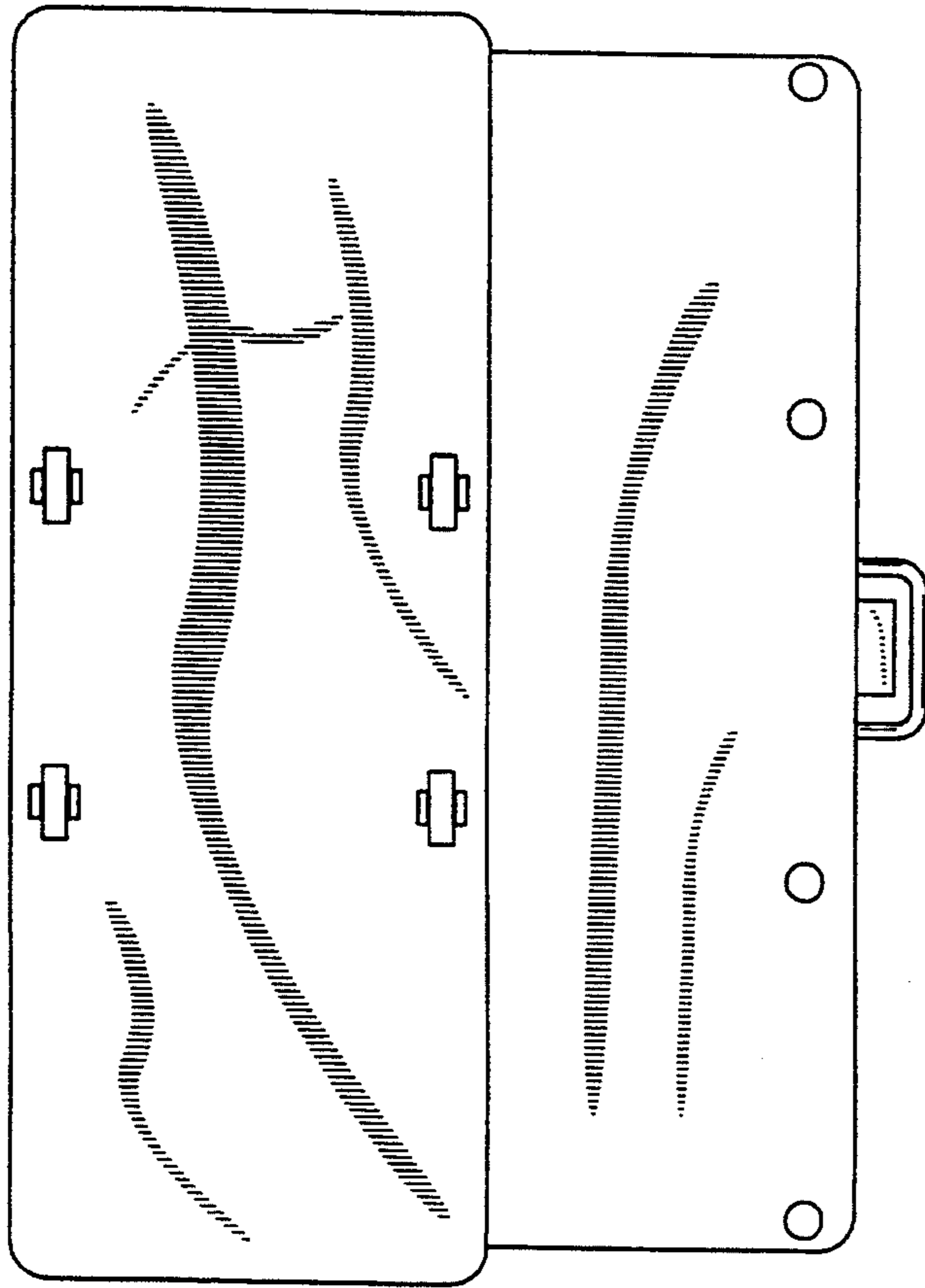


Fig. 16

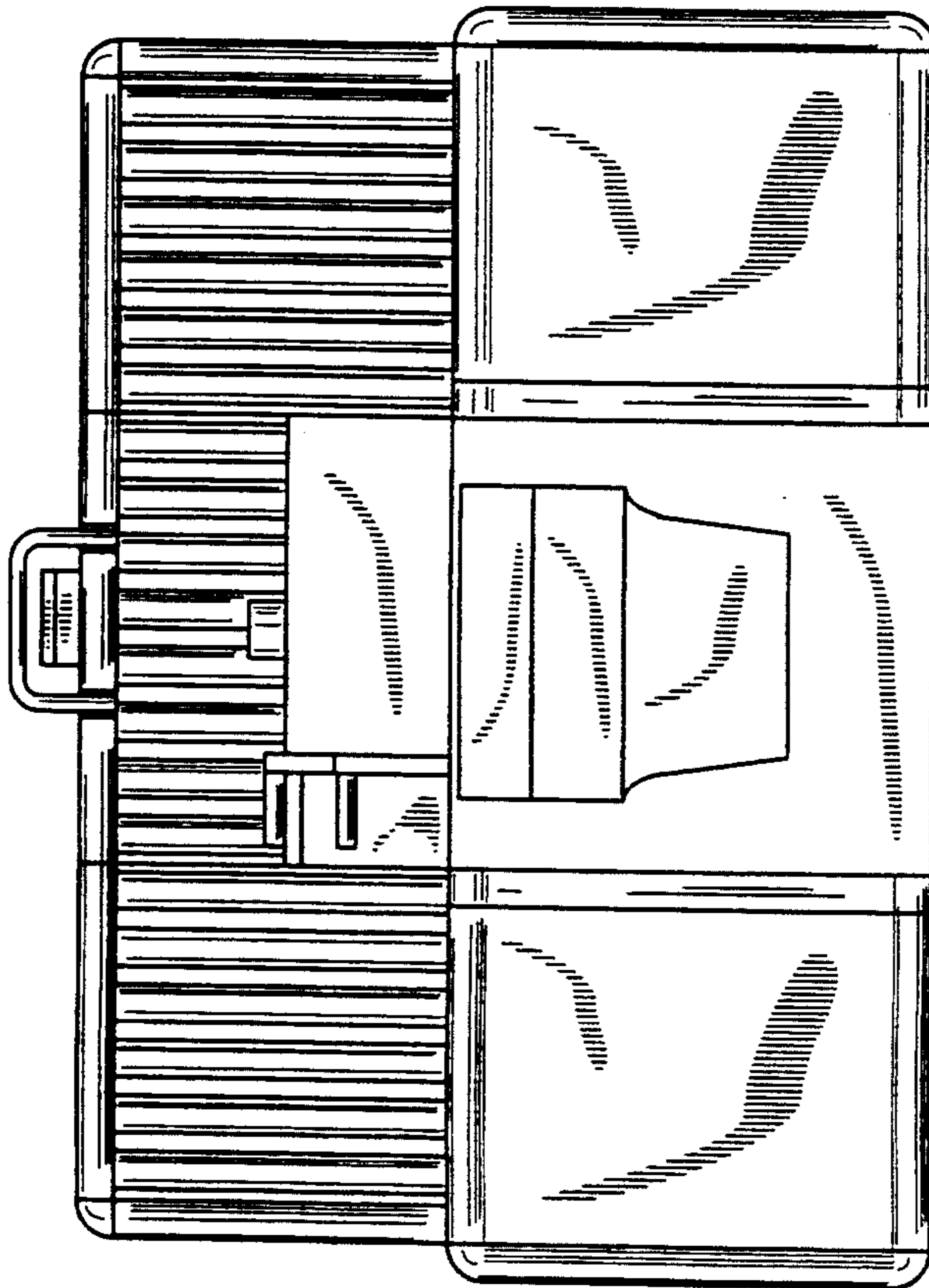


Fig. 15

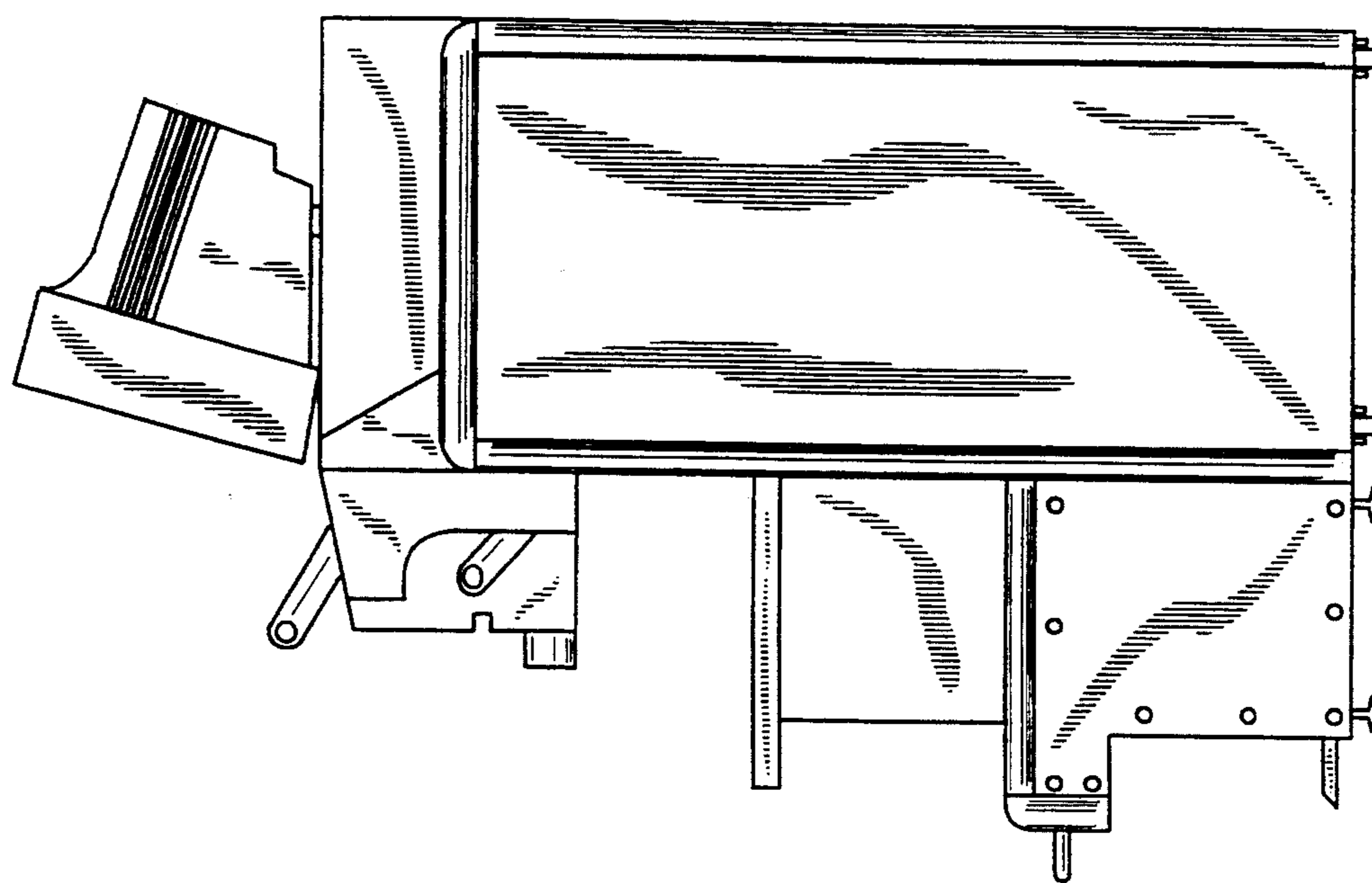


Fig. 17

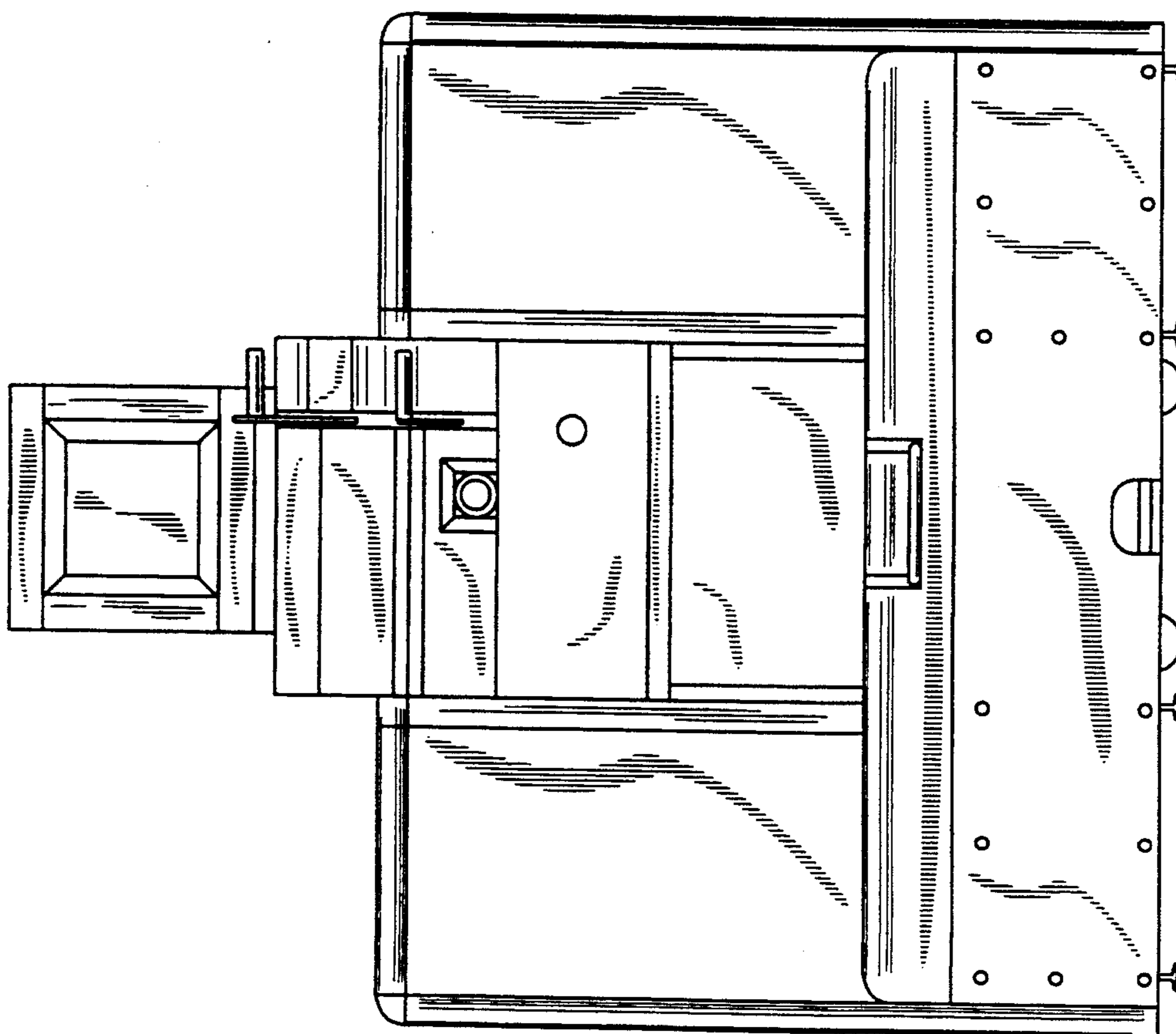
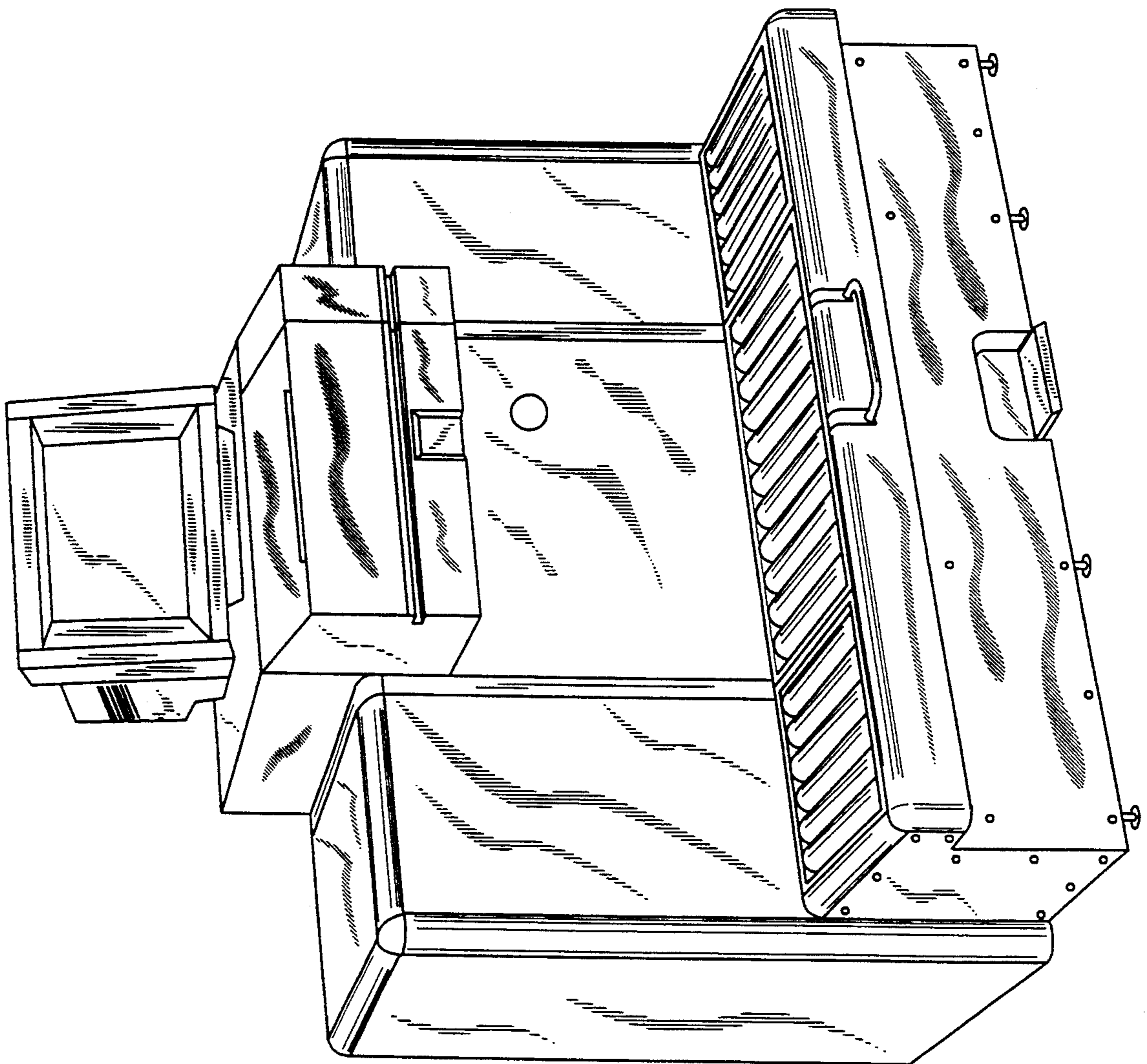


Fig. 18

Fig. 19



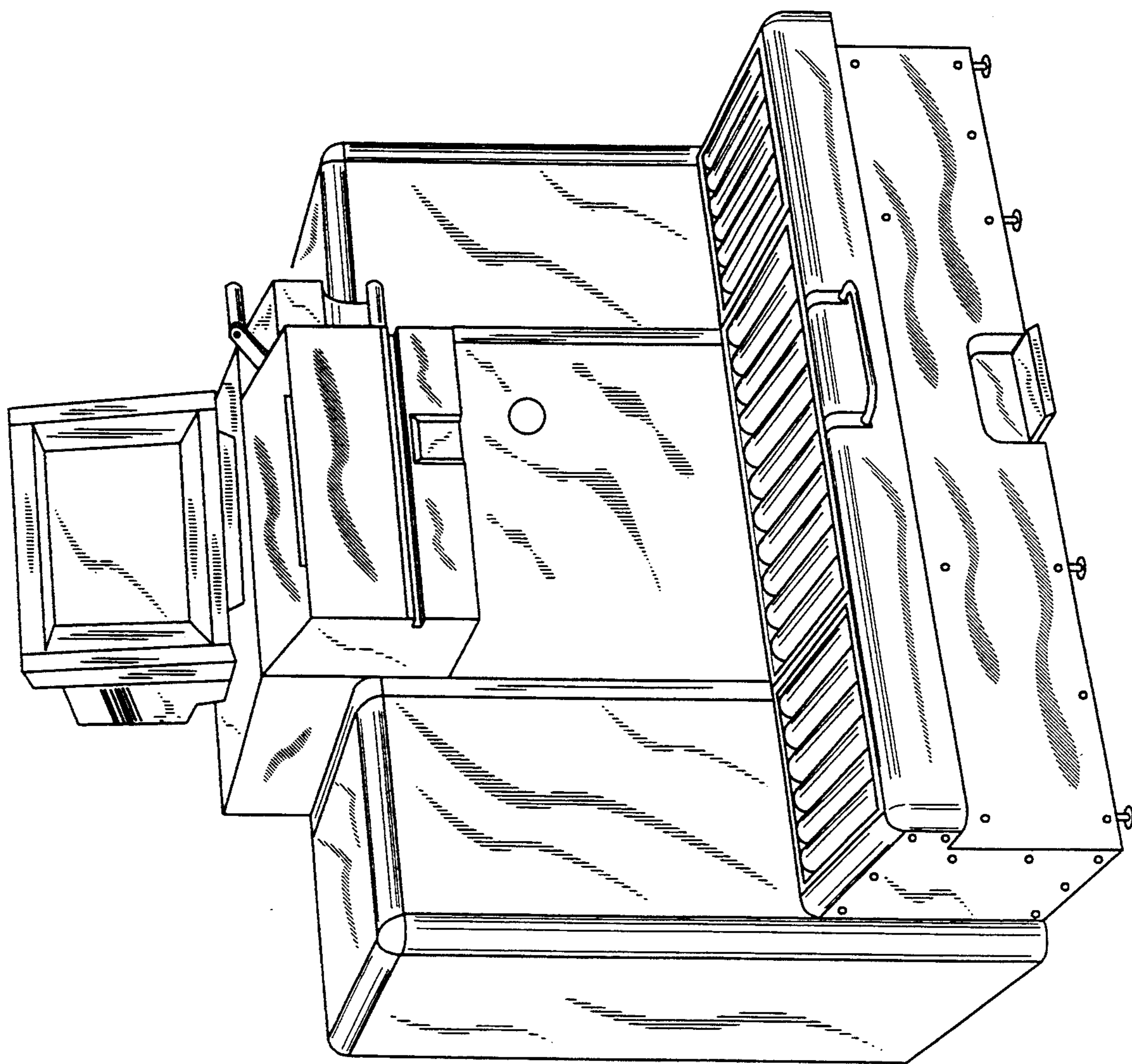


Fig. 20