



US00D349503S

**United States Patent** [19]

[11] **Patent Number: Des. 349,503**

**Roy**

[45] **Date of Patent: \*\* Aug. 9, 1994**

[54] **TELECOMMUNICATIONS SWITCH**

[75] **Inventor: Christopher E. Roy, Plymouth, Mass.**

[73] **Assignee: Excel, Inc., Sagamore Beach, Mass.**

[\*\*] **Term: 14 Years**

[21] **Appl. No.: 5,092**

[22] **Filed: Feb. 23, 1993**

[52] **U.S. Cl. .... D14/241; D13/184**

[58] **Field of Search ..... 361/692, 724, 725, 727, 361/728, 735, 736, 738, 741, 748, 752, 796; D13/110, 162, 164, 184; D14/100, 102, 107, 114, 240, 241**

[56] **References Cited**

**U.S. PATENT DOCUMENTS**

D. 211,948	8/1965	Worrall	.....	D13/184
D. 263,395	3/1982	Karas et al.	.....	D13/162 X
D. 264,843	6/1982	Karas et al.	.....	D13/164 X
4,012,089	3/1977	Ward	.....	D13/164 X
4,690,286	9/1987	Horne et al.	.....	D13/184 X
5,168,171	12/1992	Tracewell	.....	D13/184 X

**OTHER PUBLICATIONS**

Rack-mounted UPS on p. 18 of *Communication & Computer News* Mar. 1991.

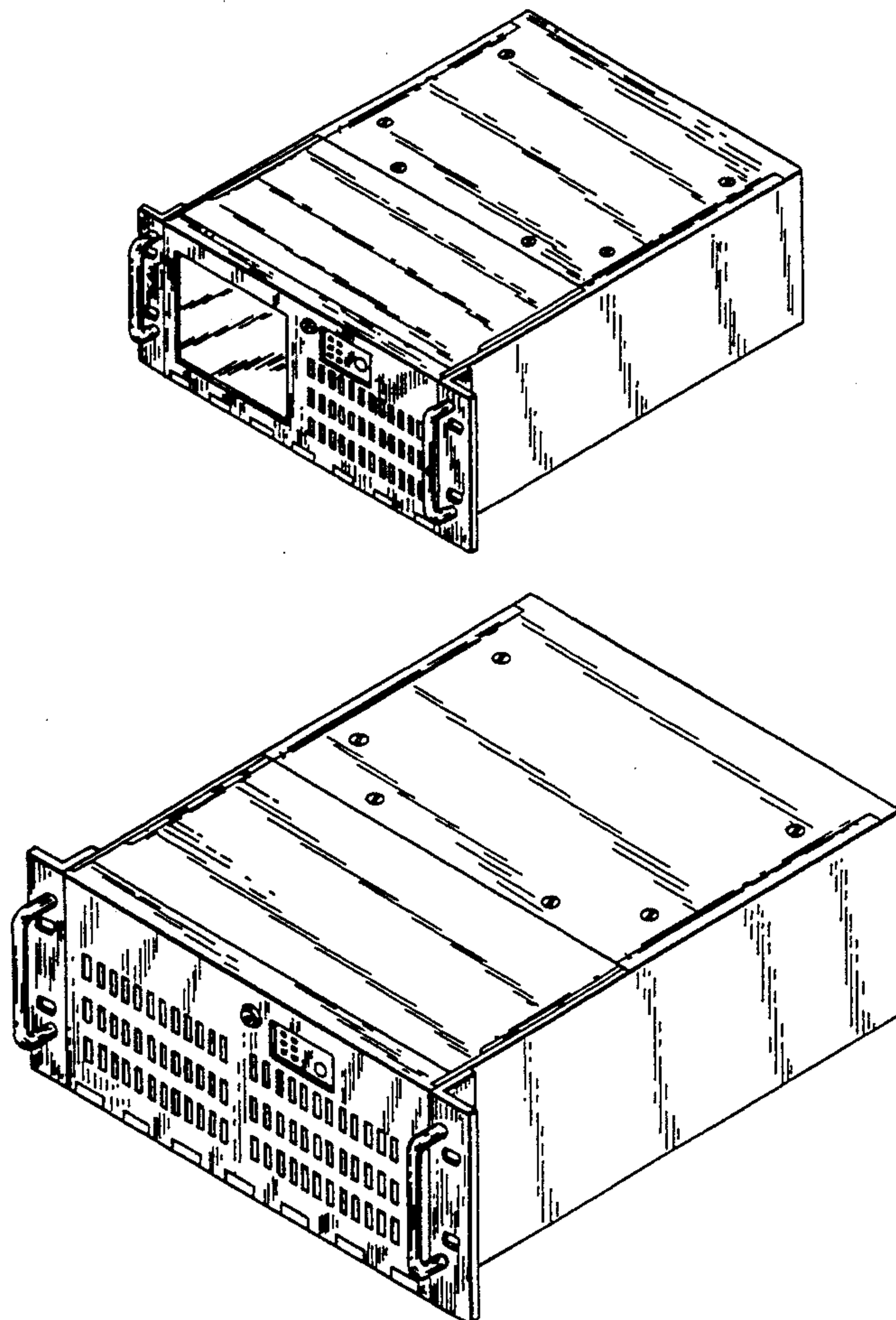
*Primary Examiner*—Wallace R. Burke  
*Assistant Examiner*—Joel Sincavage  
*Attorney, Agent, or Firm*—Cesari and McKenna

[57] **CLAIM**

The ornamental design for a telecommunications switch, as shown.

**DESCRIPTION**

FIG. 1 is a left front perspective view of a telecommunications switch embodying my new design; FIG. 2 is a right side elevational view thereof, the left side being a mirror image thereof; FIG. 3 is a top plan view thereof; FIG. 4 is a front elevational view thereof; FIG. 5 is a rear elevational view thereof; FIG. 6 is a bottom plan view thereof; FIG. 7 is a right rear perspective view thereof; and, FIG. 8 is a left, front perspective view on a larger scale of another embodiment of my telecommunications switch, the right side, rear and bottom thereof being the same as depicted in FIGS. 2, 5 and 6, respectively.



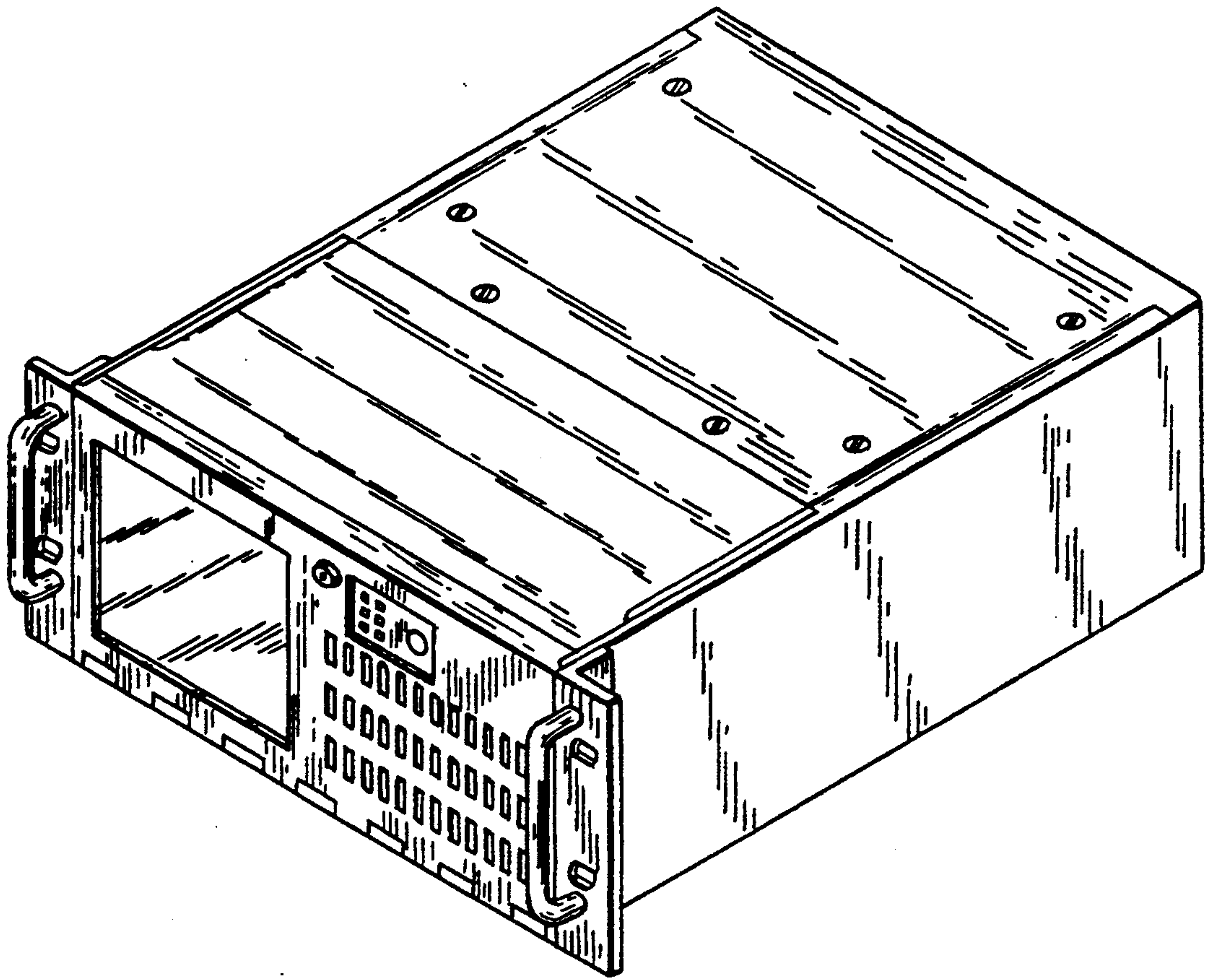


FIG. 1

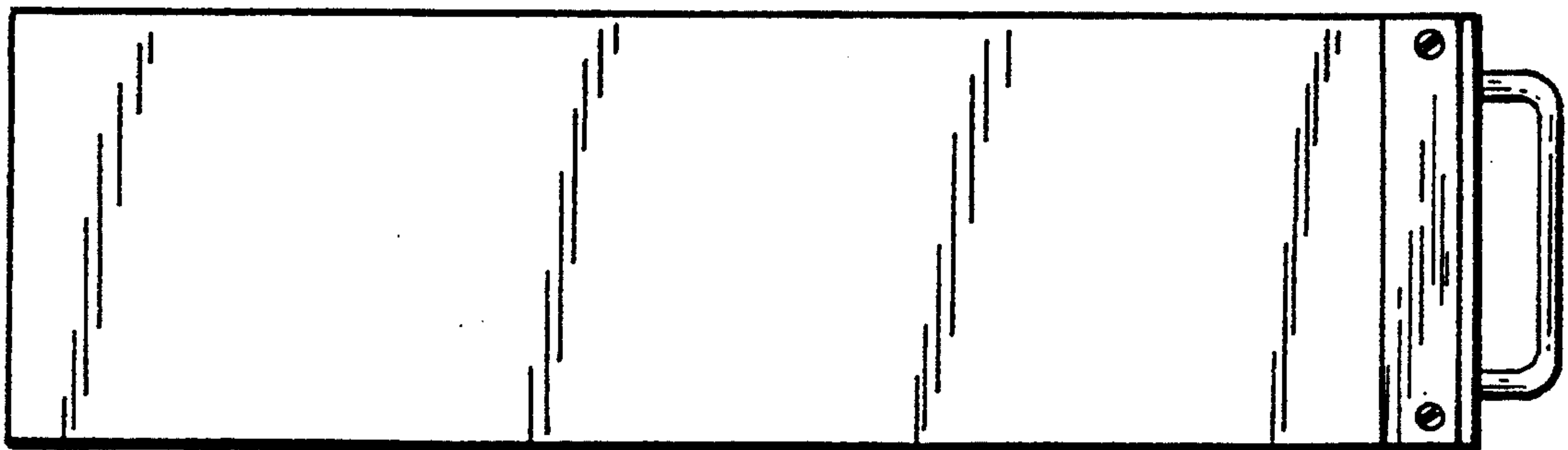


FIG. 2

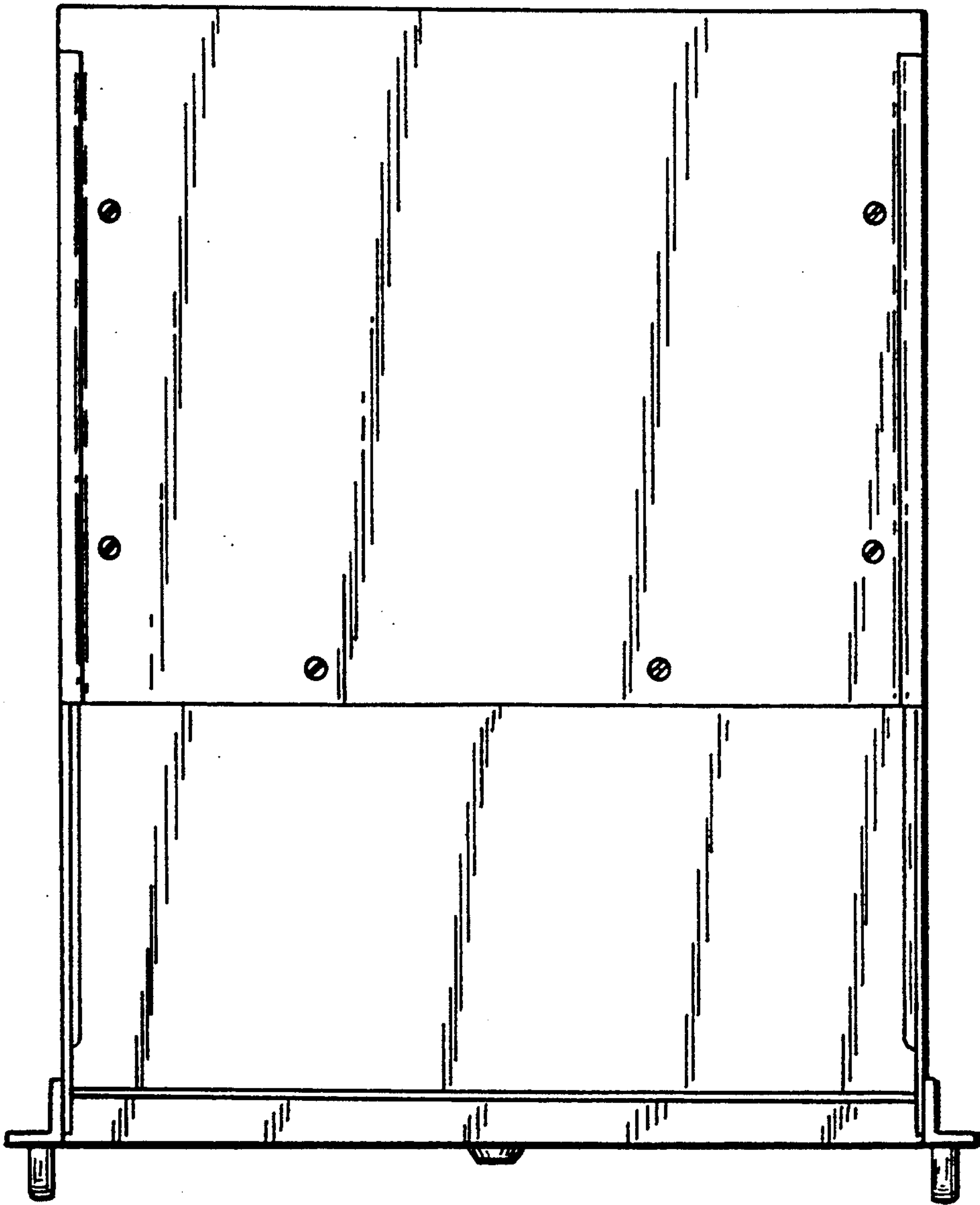


FIG. 3

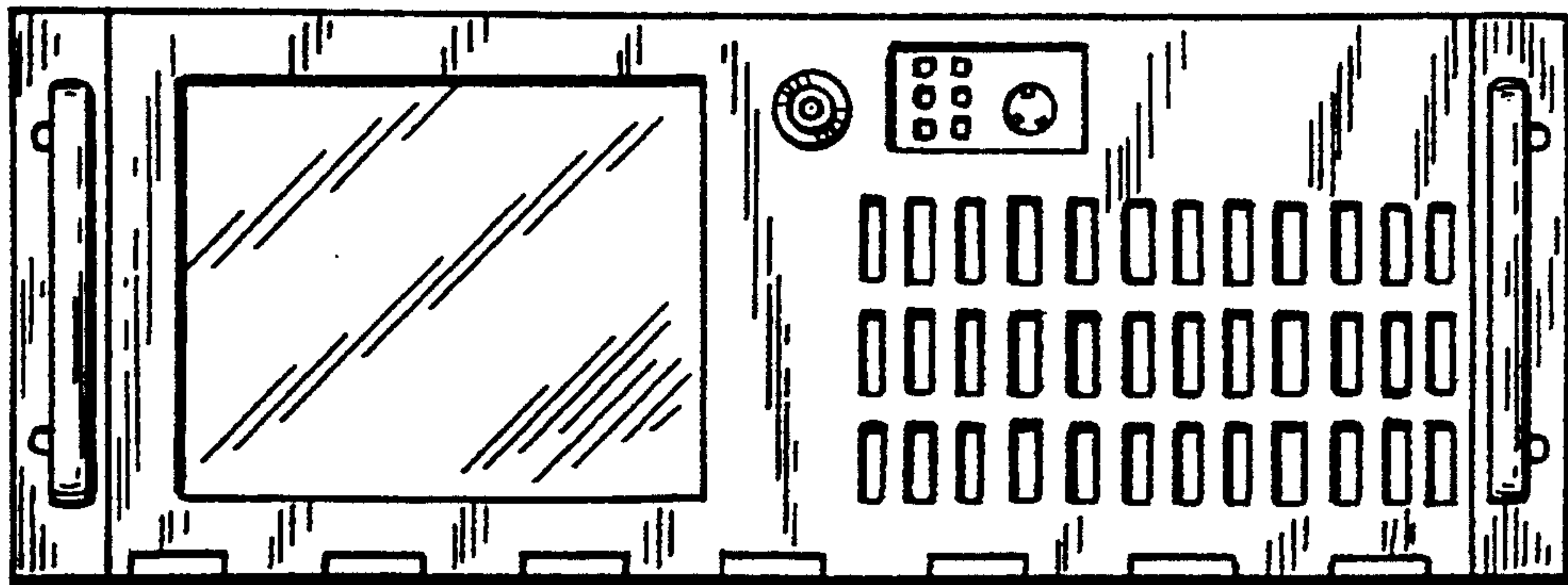


FIG. 4



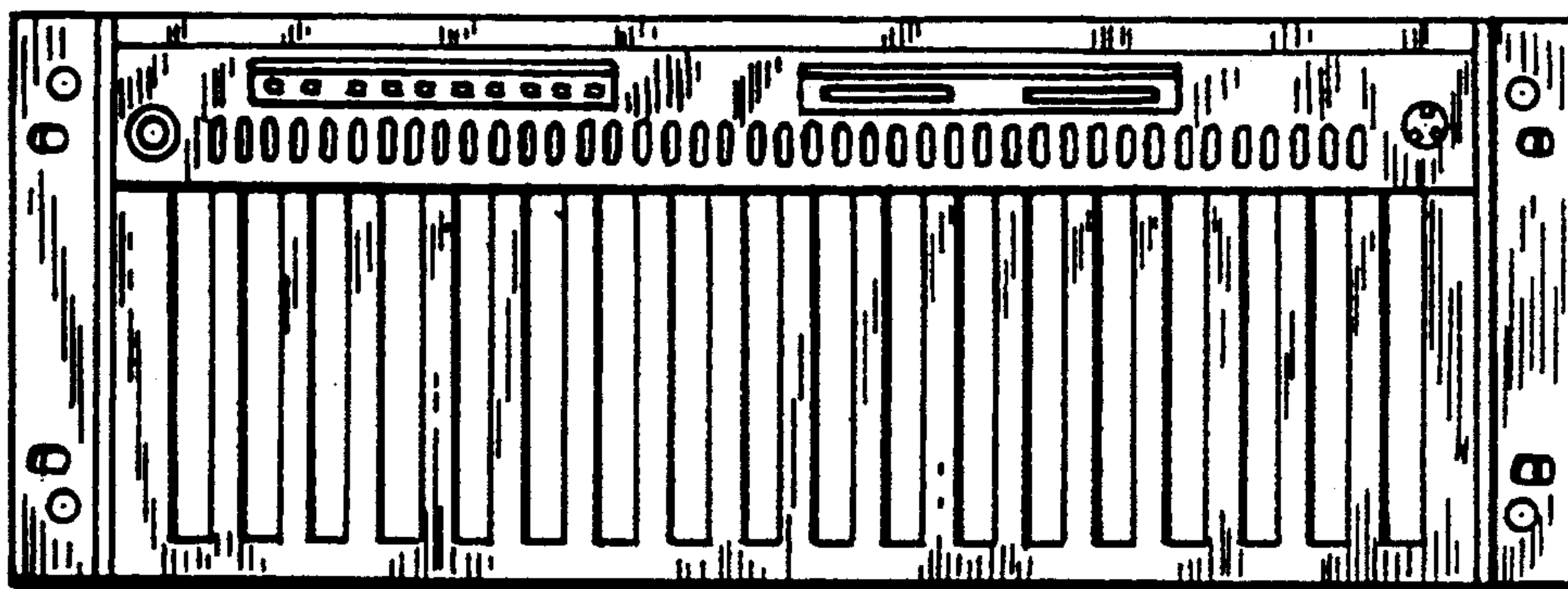


FIG. 5

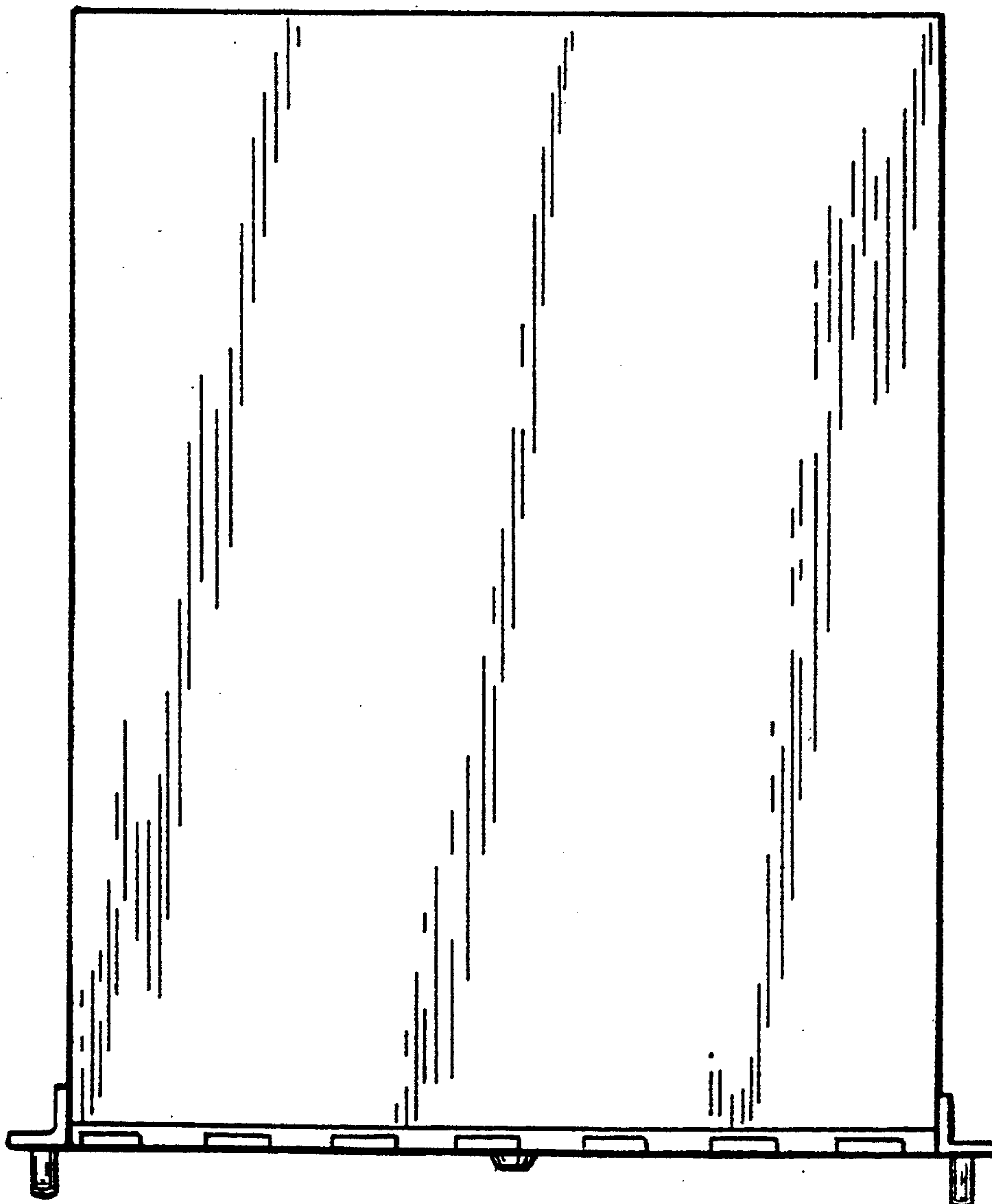


FIG. 6

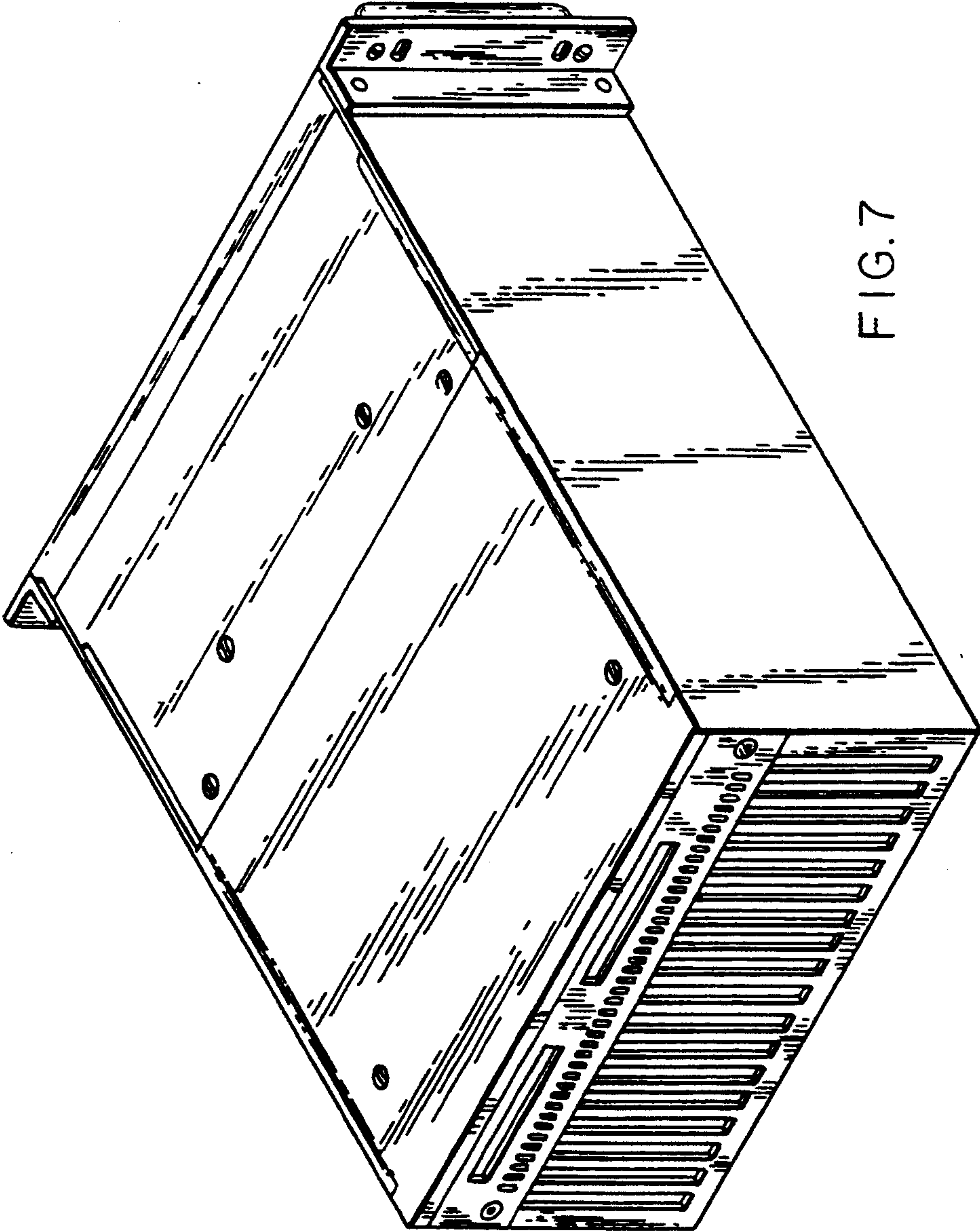


FIG. 7

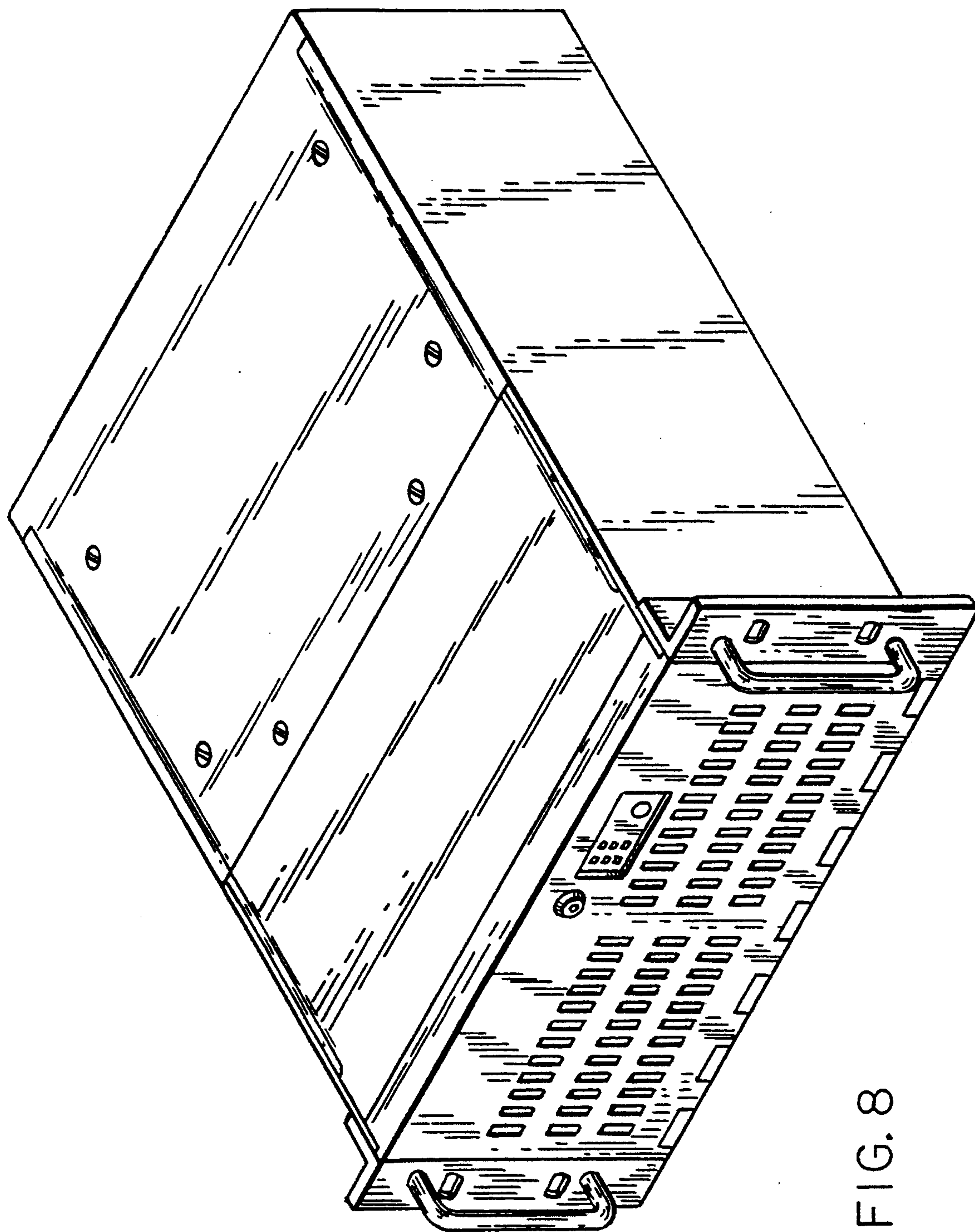


FIG. 8