



US00D349501S

United States Patent [19]

[11] Patent Number: **Des. 349,501**

Fan

[45] Date of Patent: **** Aug. 9, 1994**

- [54] **CALLING PARTY IDENTIFYING APPARATUS**
- [75] Inventor: **Yuan-Neng Fan**, Scottsdale, Ariz.
- [73] Assignee: **Comrise Electronics Co., Ltd.**, Tainan Hsien, Taiwan
- [**] Term: **14 Years**
- [21] Appl. No.: **8,140**
- [22] Filed: **May 11, 1993**
- [52] U.S. Cl. **D14/240**
- [58] Field of Search 379/419, 428, 436, 440, 379/441, 447, 442, 456, 457; 361/679, 825; D13/184, 164; D18/6, 7, 11; D14/100, 107, 114, 115, 140, 142, 141, 240, 241, 149-151; D10/15, 24

- [56] **References Cited**
- U.S. PATENT DOCUMENTS**
- D. 237,195 10/1975 Kitai D18/7
- D. 243,191 1/1977 Pemberton D18/7
- D. 275,082 8/1984 Goodin et al. D10/15 X
- D. 277,282 1/1985 Barton, III et al. D14/241
- D. 289,760 5/1987 Rummel D14/100
- D. 291,435 8/1987 Kawano et al. D14/141
- D. 338,889 8/1993 Fuqua et al. D10/15 X

OTHER PUBLICATIONS

Metropolis Jul. 8, 1990, item SP102.

Primary Examiner—Nelson C. Holtje
Assistant Examiner—Jeffrey Asch
Attorney, Agent, or Firm—Morton J. Rosenberg; David I. Klein

[57] **CLAIM**

The ornamental design for a calling party identifying apparatus, as shown and described.

DESCRIPTION

FIG. 1 is a perspective view from the front-right-top side of a calling party identifying apparatus showing my design;

FIG. 2 is a front elevational view thereof, the rear side being a mirror image;

FIG. 3 is a left side elevational view thereof;

FIG. 4 is a right side elevational view thereof;

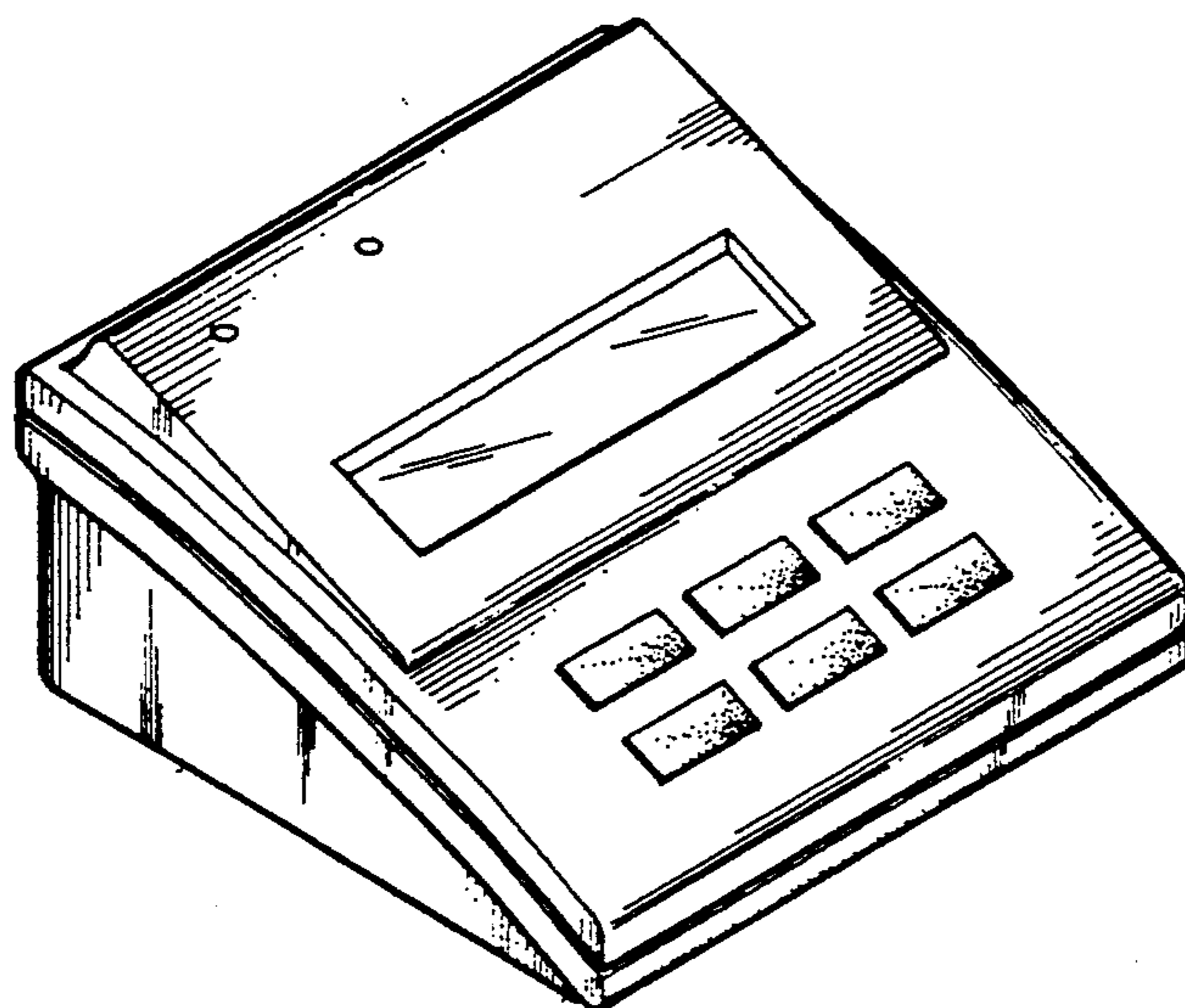
FIG. 5 is a top plan view thereof;

FIG. 6 is a bottom plan view thereof;

FIG. 7 is a front-top-right perspective view of the calling party identifying apparatus, the triangular bracket being shown in broken lines for illustrative purpose only;

FIG. 8 is a rear-top-left perspective view of the calling party identifying apparatus, the triangular bracket being shown in broken lines for illustrative purpose only; and,

FIG. 9 is a front-top-right perspective view of the calling party identifying apparatus, the triangular bracket being shown in broken lines and separated therefrom for illustrative purpose only.



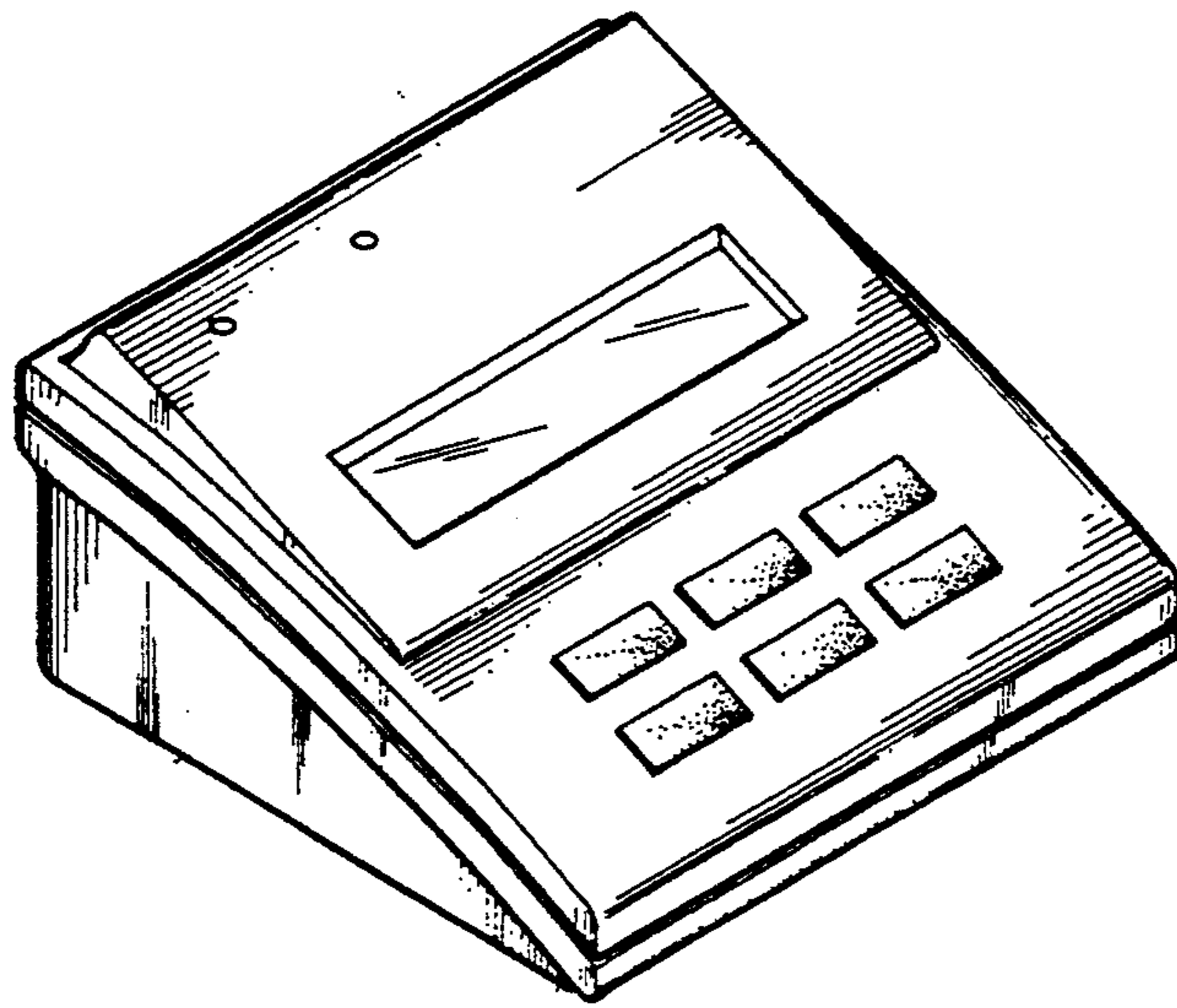


FIG. 1

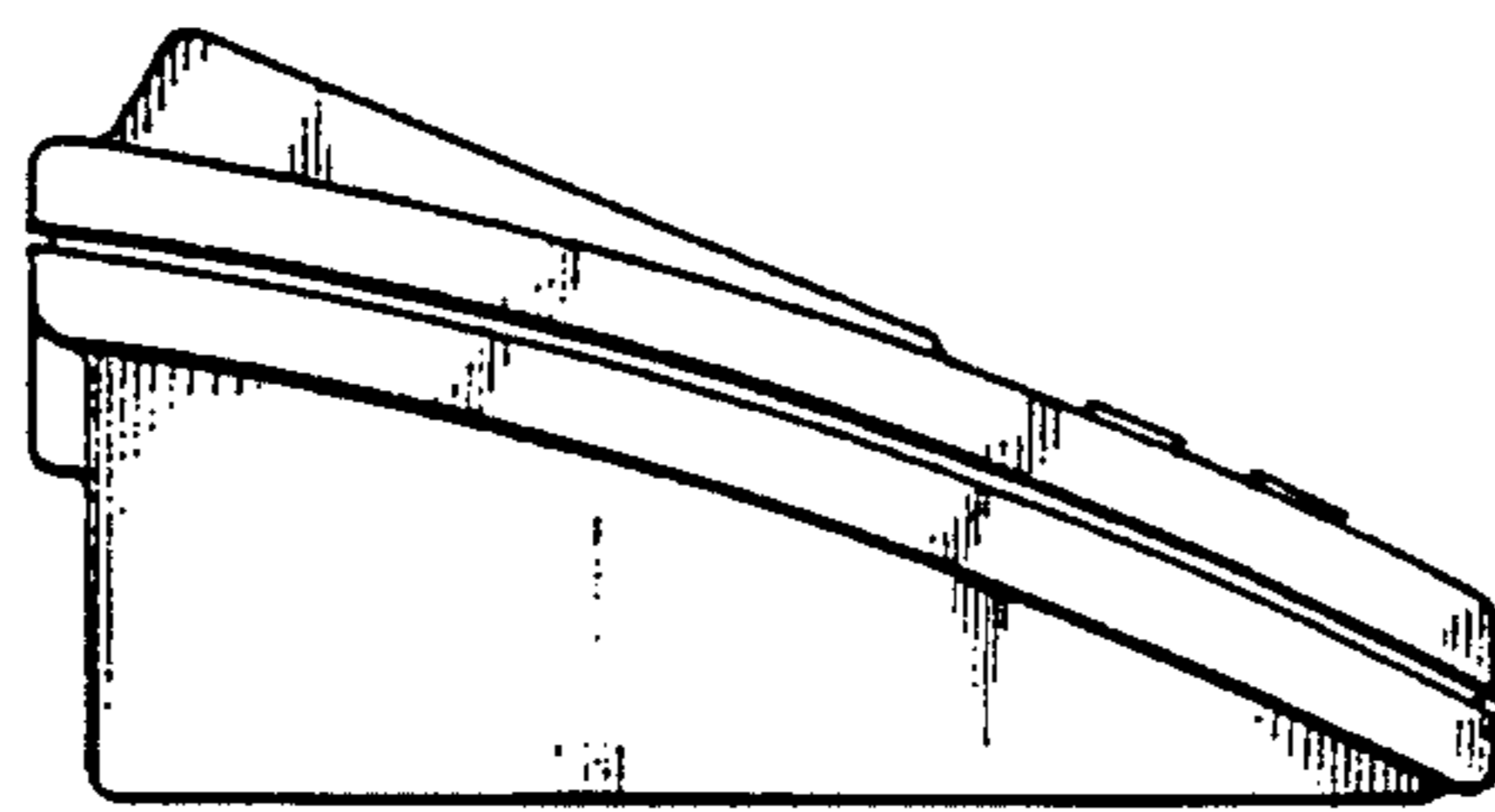


FIG. 2

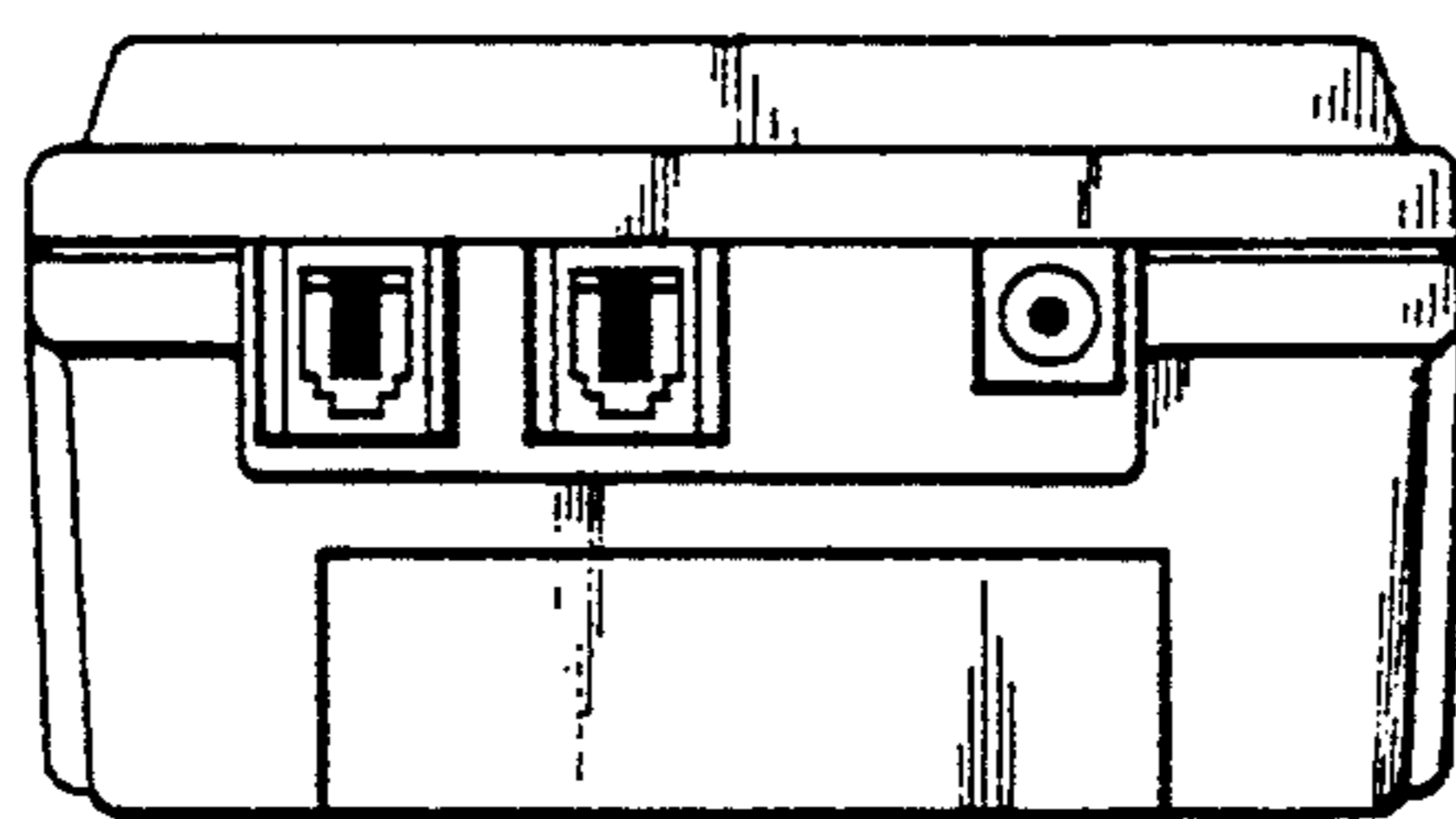


FIG. 3

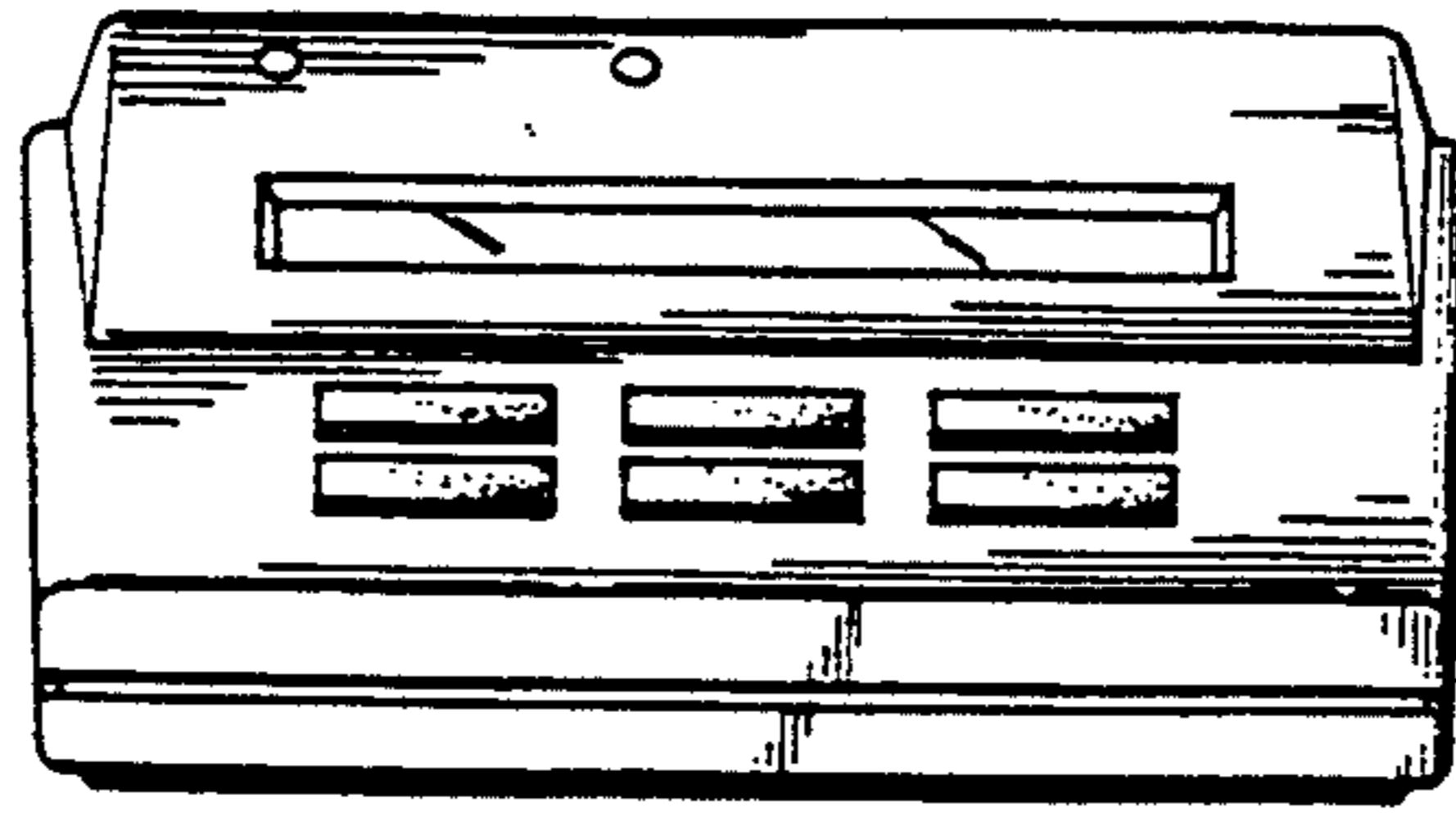


FIG. 4

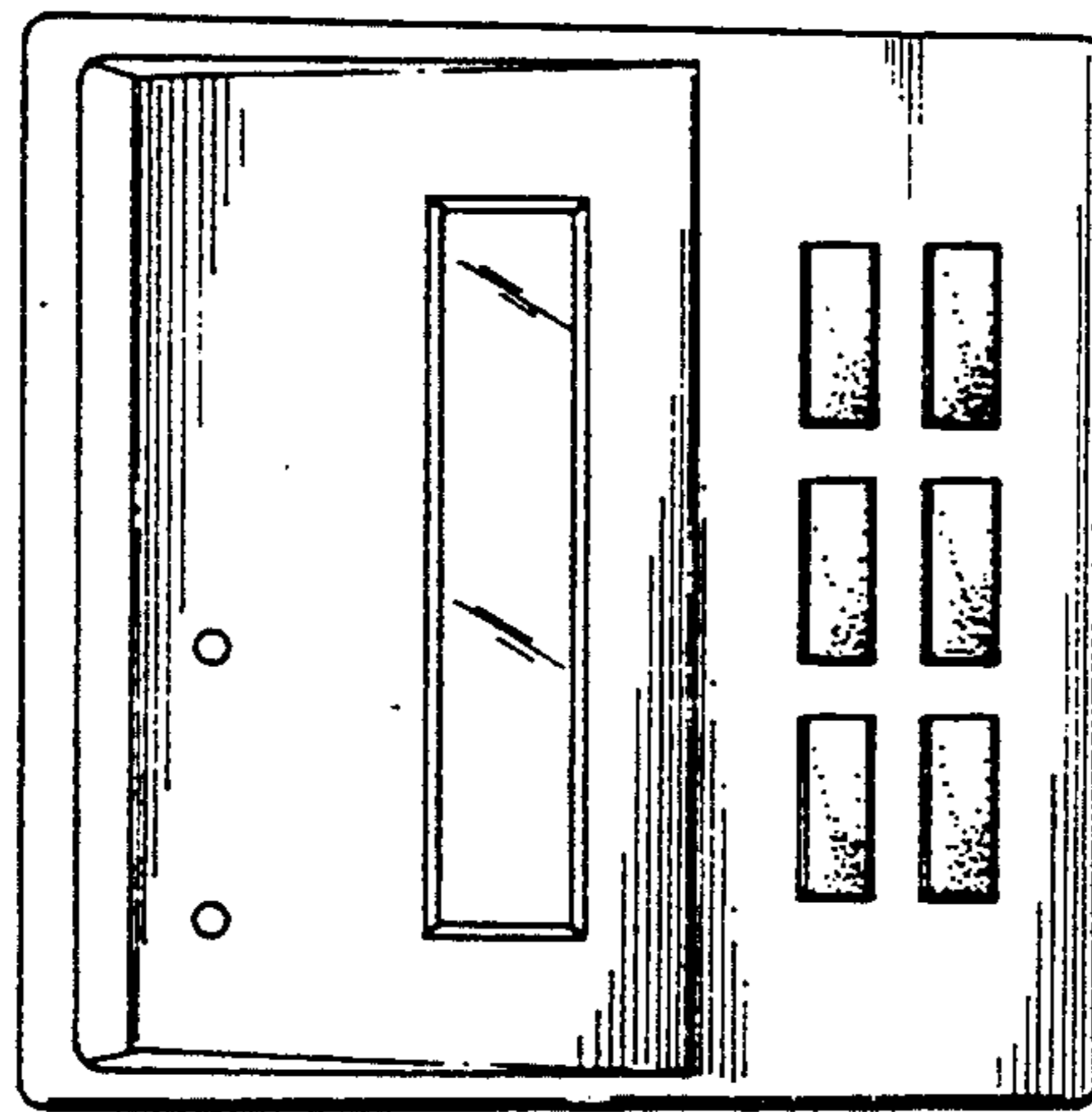


FIG. 5

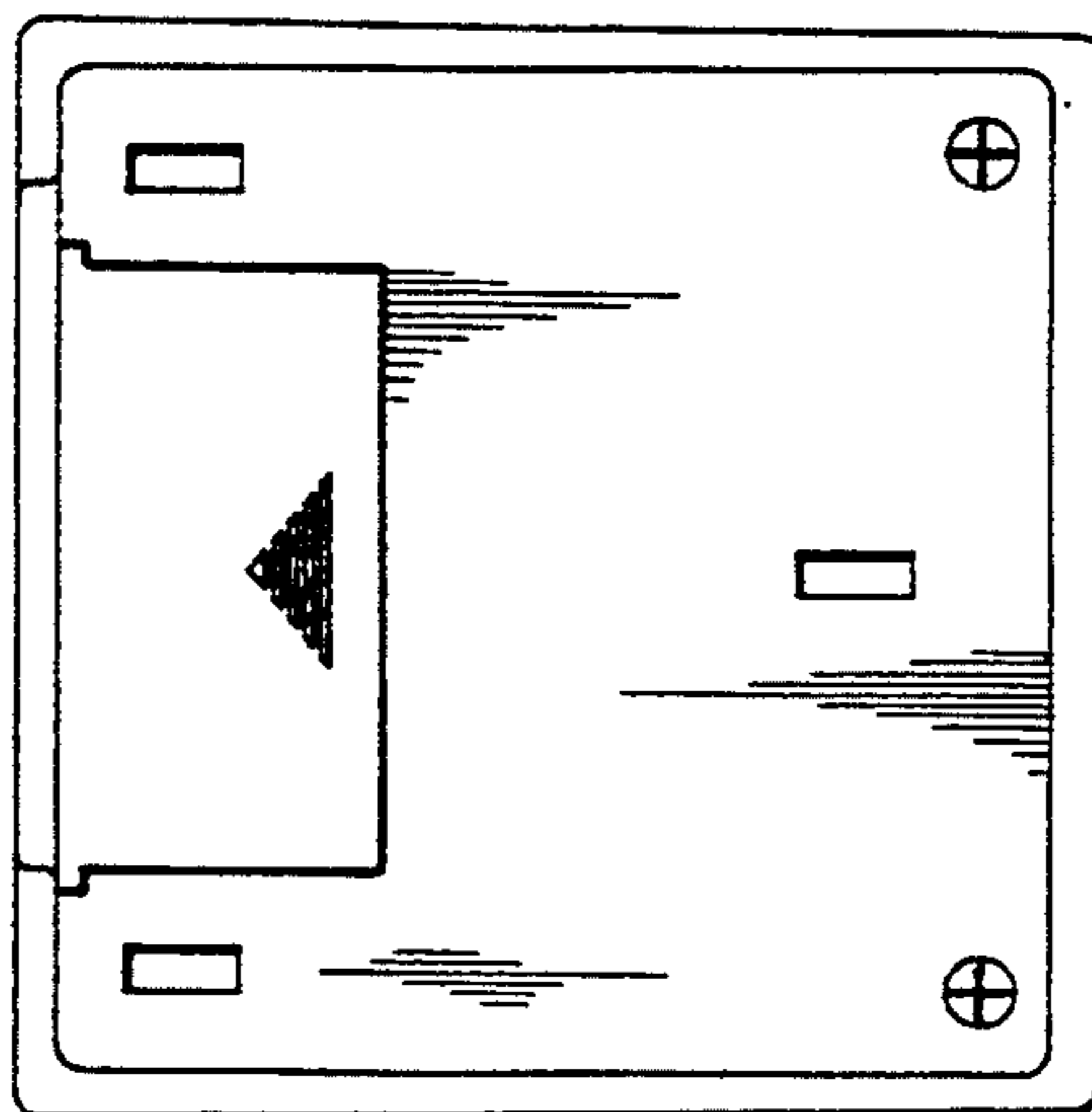


FIG. 6

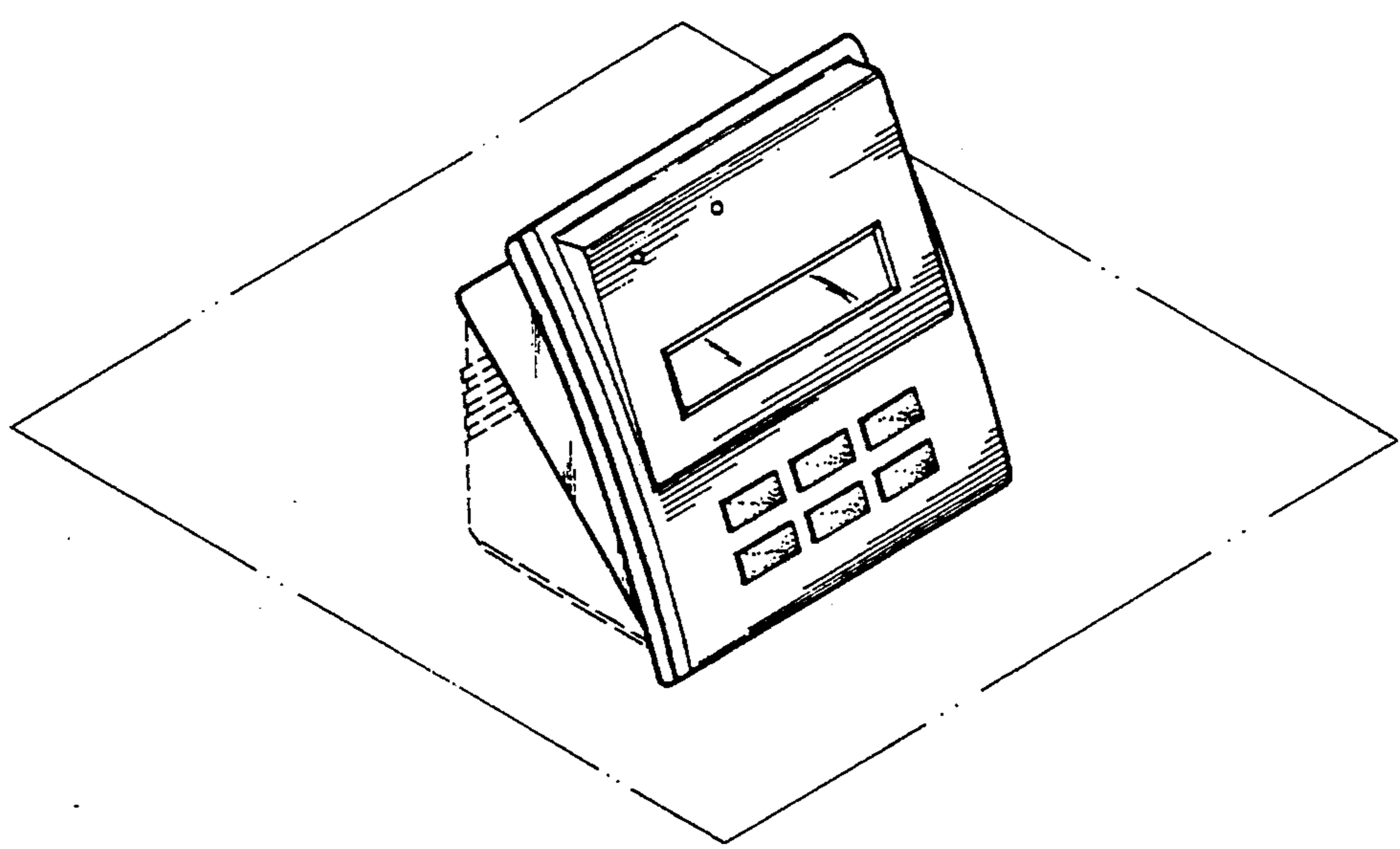


FIG. 7

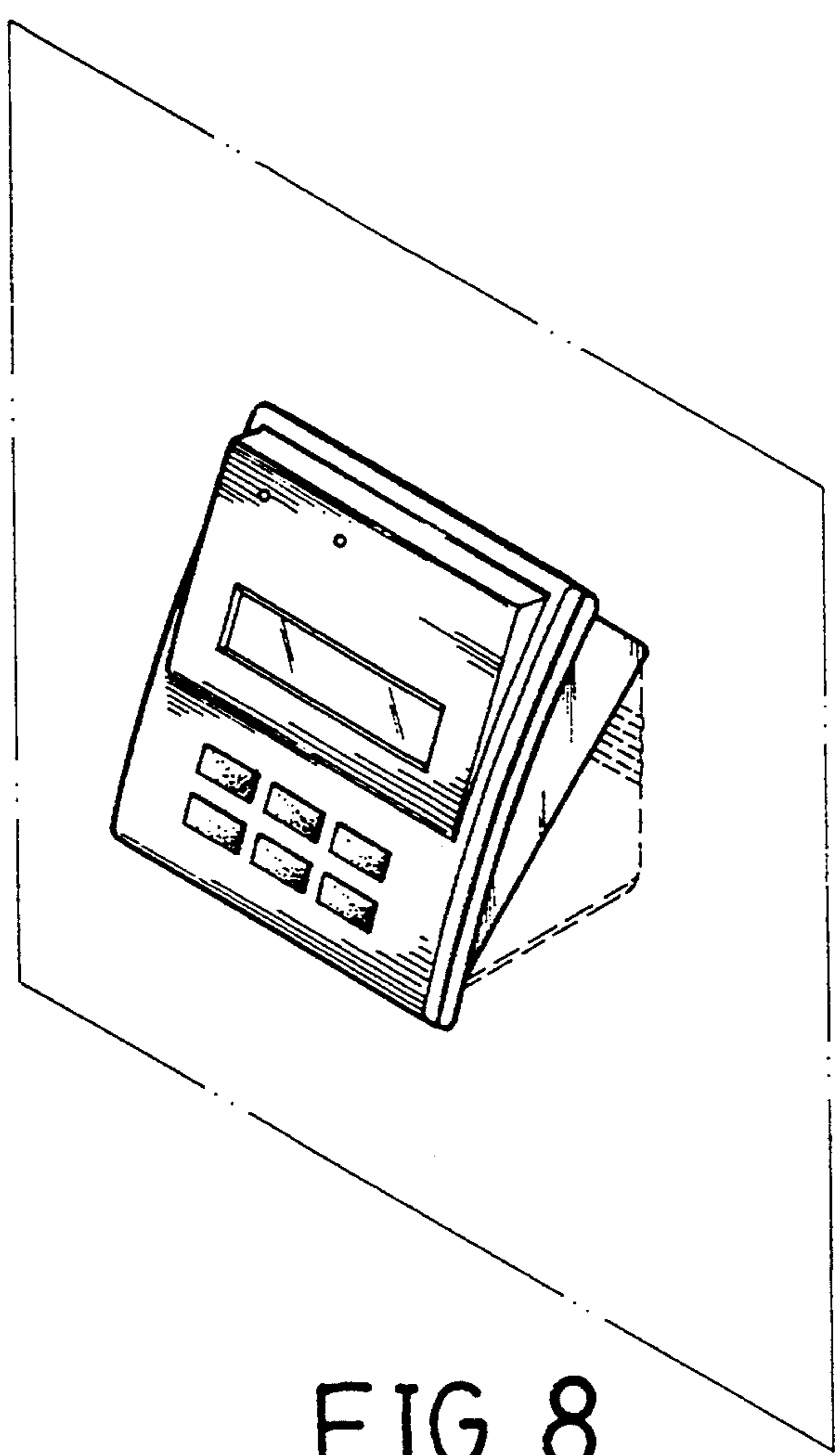


FIG. 8

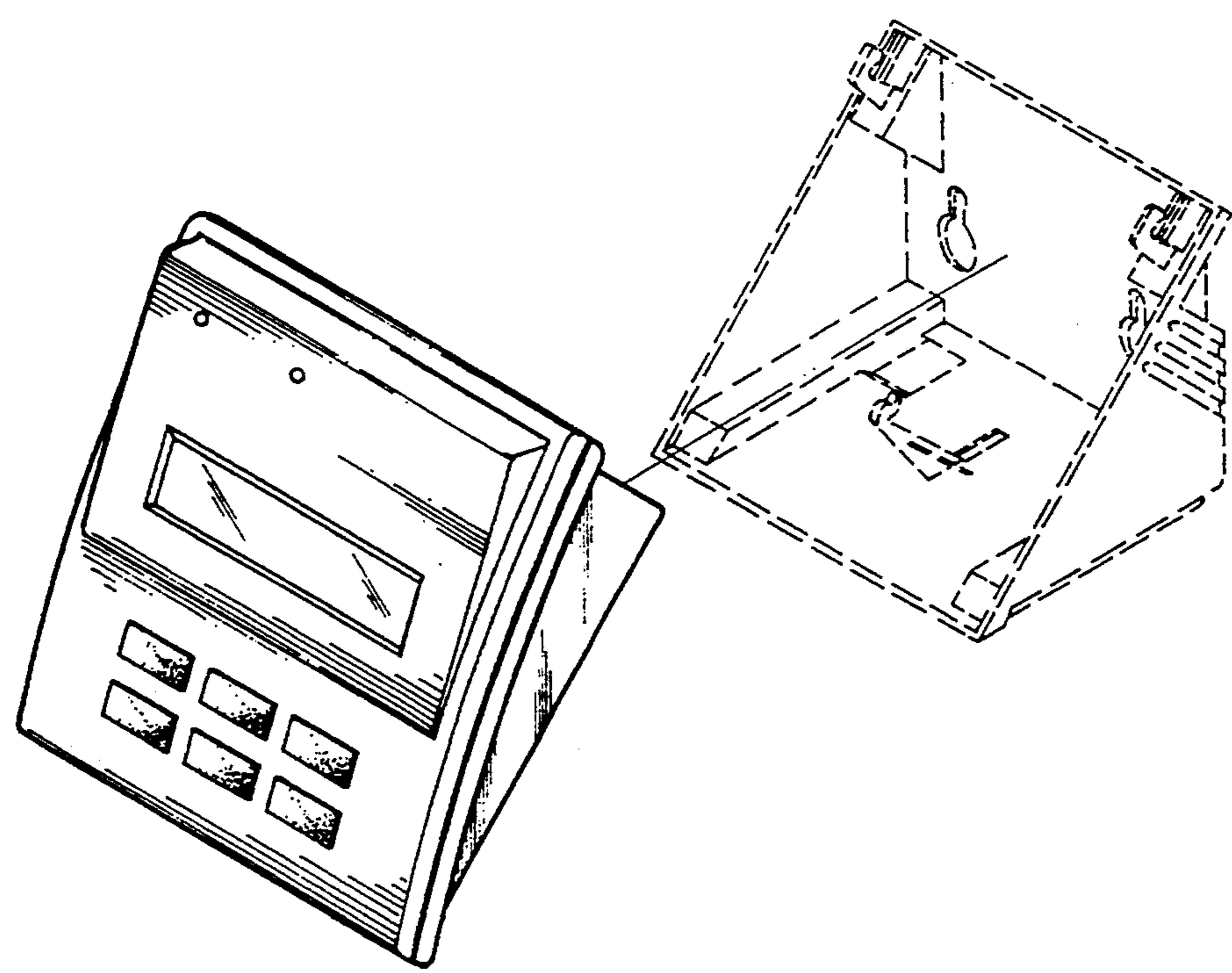


FIG. 9