



US00D349499S

**United States Patent** [19]  
**Collins**

[11] **Patent Number: Des. 349,499**  
[45] **Date of Patent: \*\* Aug. 9, 1994**

[54] **SUBWOOFER HOUSING**  
[76] **Inventor: Benjamin P. Collins, 1198  
Ashborough Terrace, SE., Marietta,  
Ga. 30067**  
[\*\*] **Term: 14 Years**  
[21] **Appl. No.: 2,277**  
[22] **Filed: Dec. 7, 1992**  
[52] **U.S. Cl. .... D14/216**  
[58] **Field of Search ..... 181/144, 148, 150, 157,  
181/199; D14/204, 207-216, 219-222**

4,410,064 10/1983 Taddeo ..... 181/152  
4,413,703 11/1983 Kato et al. .... 181/156  
4,865,153 9/1989 Toyoda ..... 181/153  
4,889,208 12/1989 Sugihara ..... 181/148  
4,928,788 5/1990 Erickson ..... 181/141  
4,997,057 3/1991 Furukawa ..... 181/160

*Primary Examiner*—Bernard Ansher  
*Assistant Examiner*—Sandra Morris  
*Attorney, Agent, or Firm*—Timmons & Kelly

[57] **CLAIM**

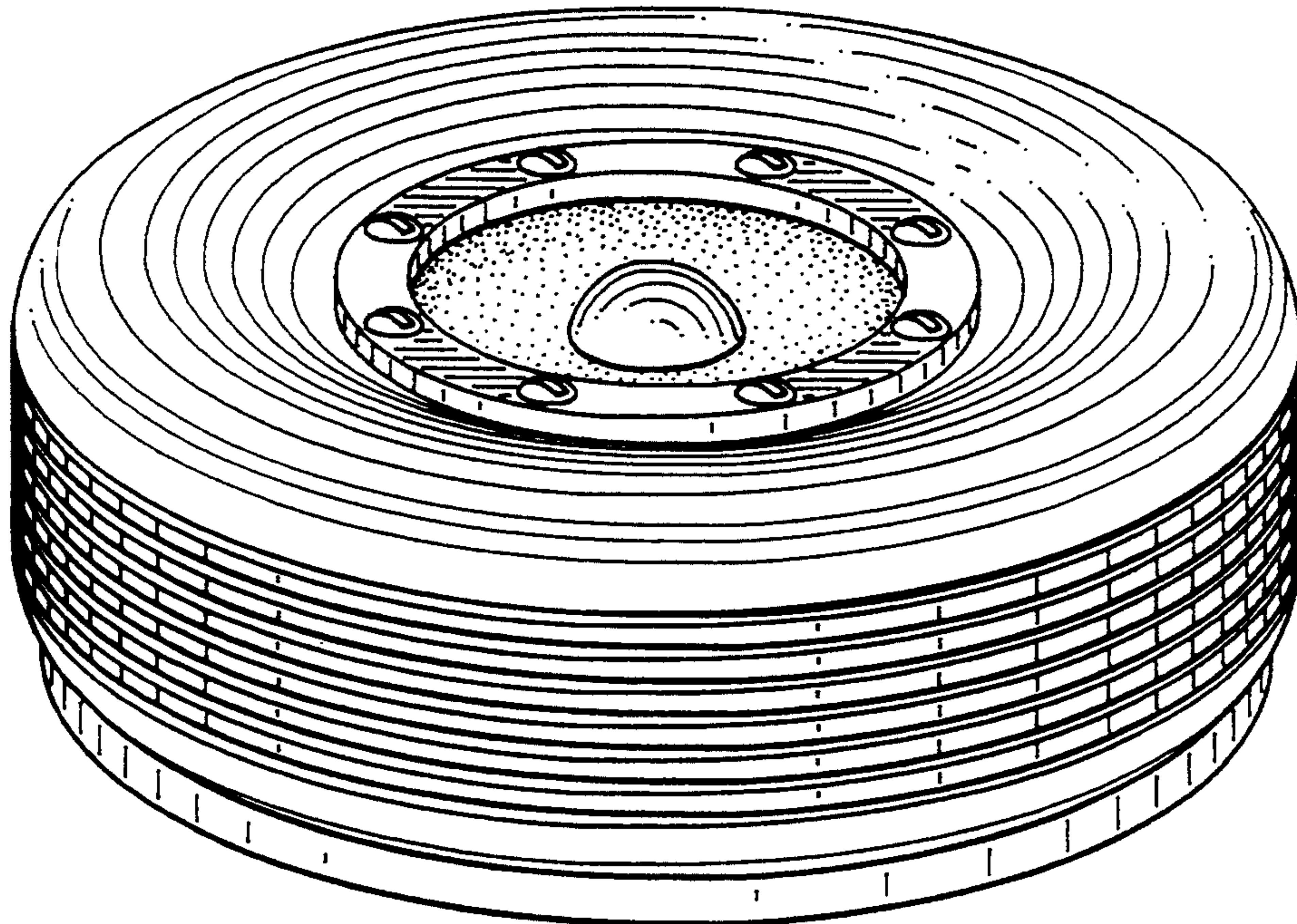
The ornamental design for a subwoofer housing, as shown and described.

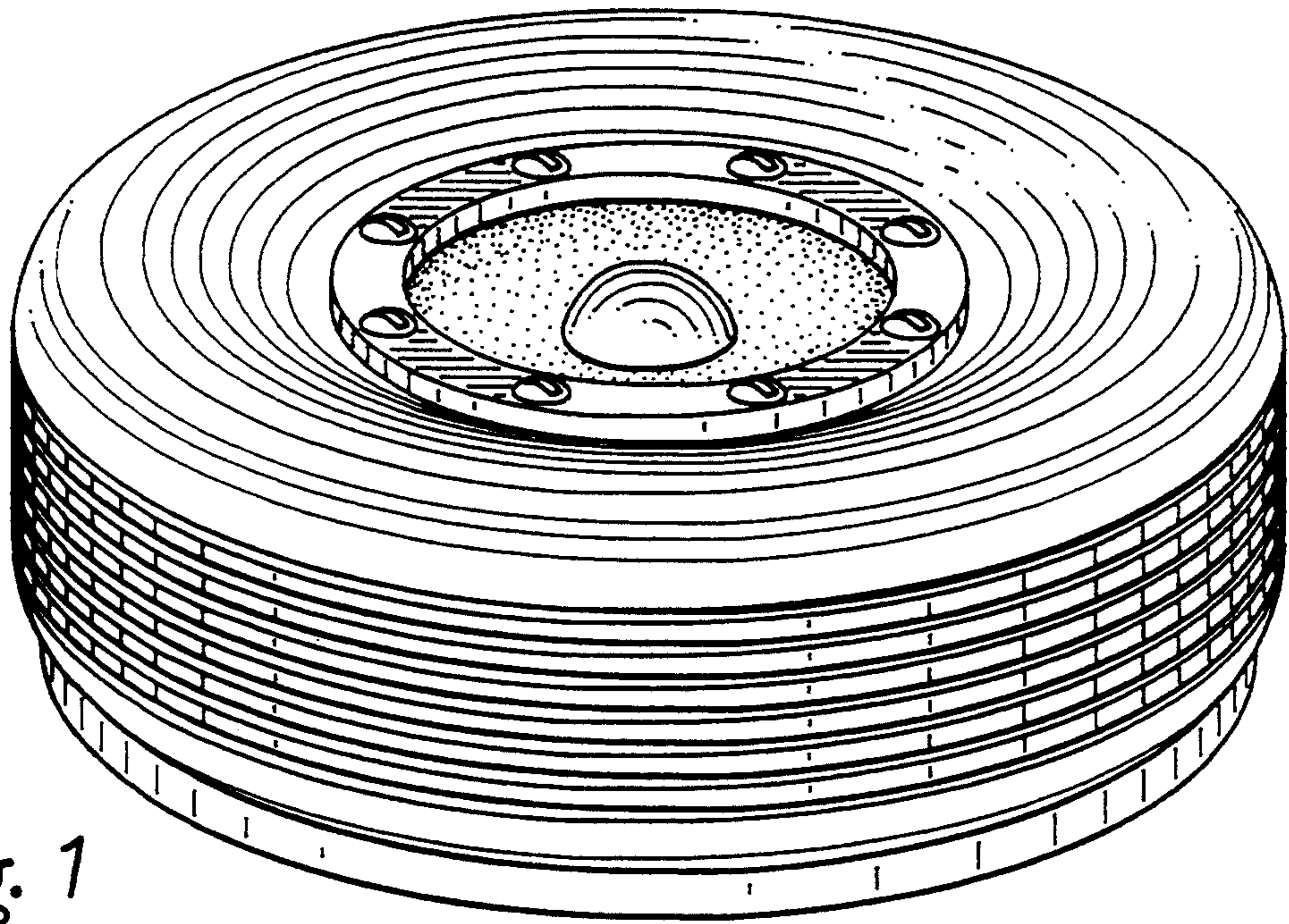
[56] **References Cited**  
**U.S. PATENT DOCUMENTS**

D. 87,689 8/1932 Sinel ..... D14/215  
D. 288,560 3/1987 Anderson ..... D14/212  
D. 292,283 10/1987 Matsuda et al. .... D14/212  
D. 303,970 10/1989 Collins et al. .... D14/204  
D. 315,562 3/1991 Brown ..... D14/213  
3,669,215 6/1972 Kikuchi et al. .... 181/32 R  
3,912,866 10/1975 Fox ..... 179/1 E  
4,284,166 8/1981 Gale ..... 181/156

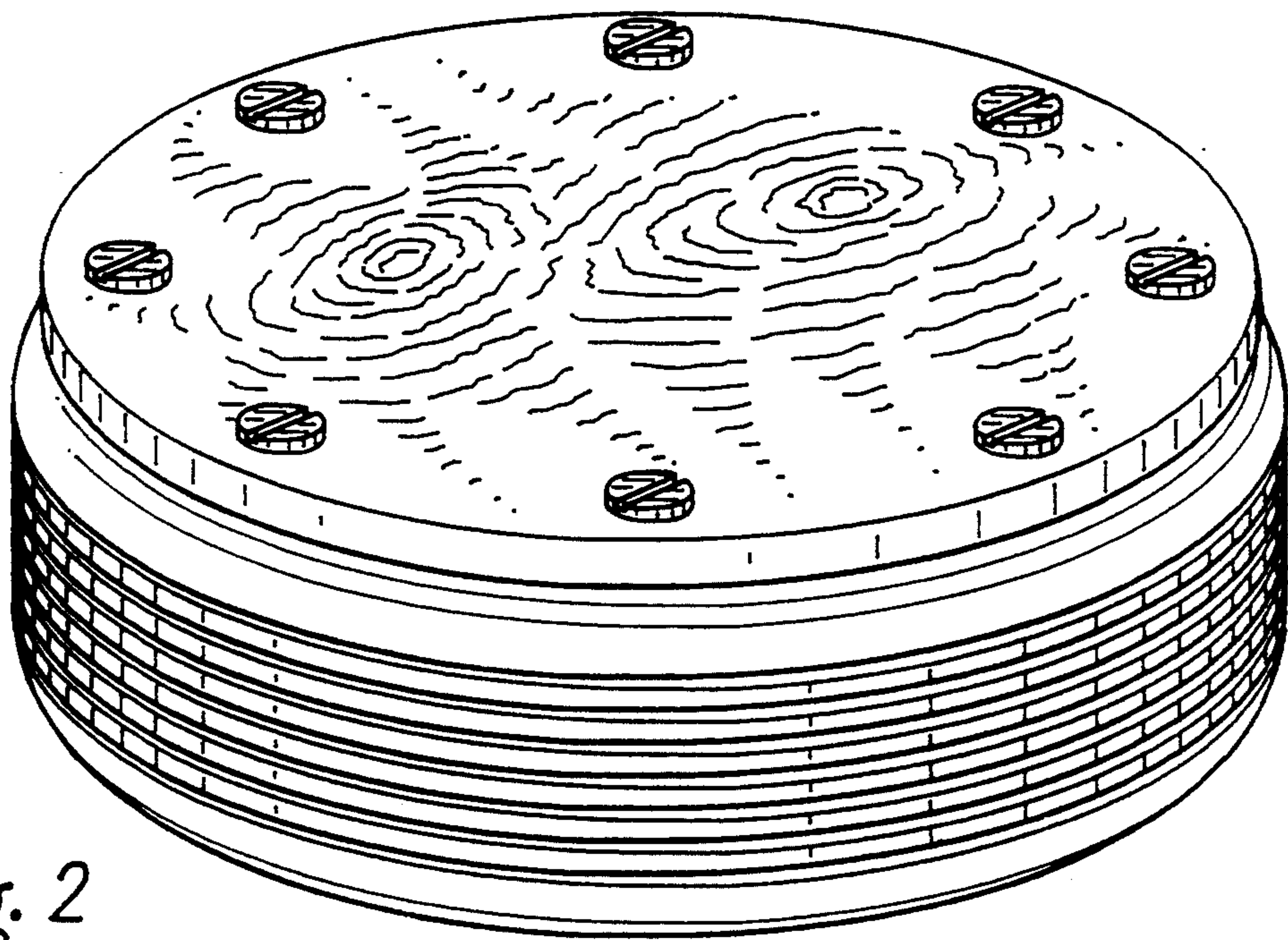
**DESCRIPTION**

FIG. 1 is a top perspective view of a subwoofer housing showing my new design;  
FIG. 2 is a bottom perspective view thereof;  
FIG. 3 is a front elevation thereof, the rear elevation being identical thereto;  
FIG. 4 is a side elevation thereof, the opposite side being identical thereto;  
FIG. 5 is a top plan view thereof; and,  
FIG. 6 is a bottom plan view thereof.



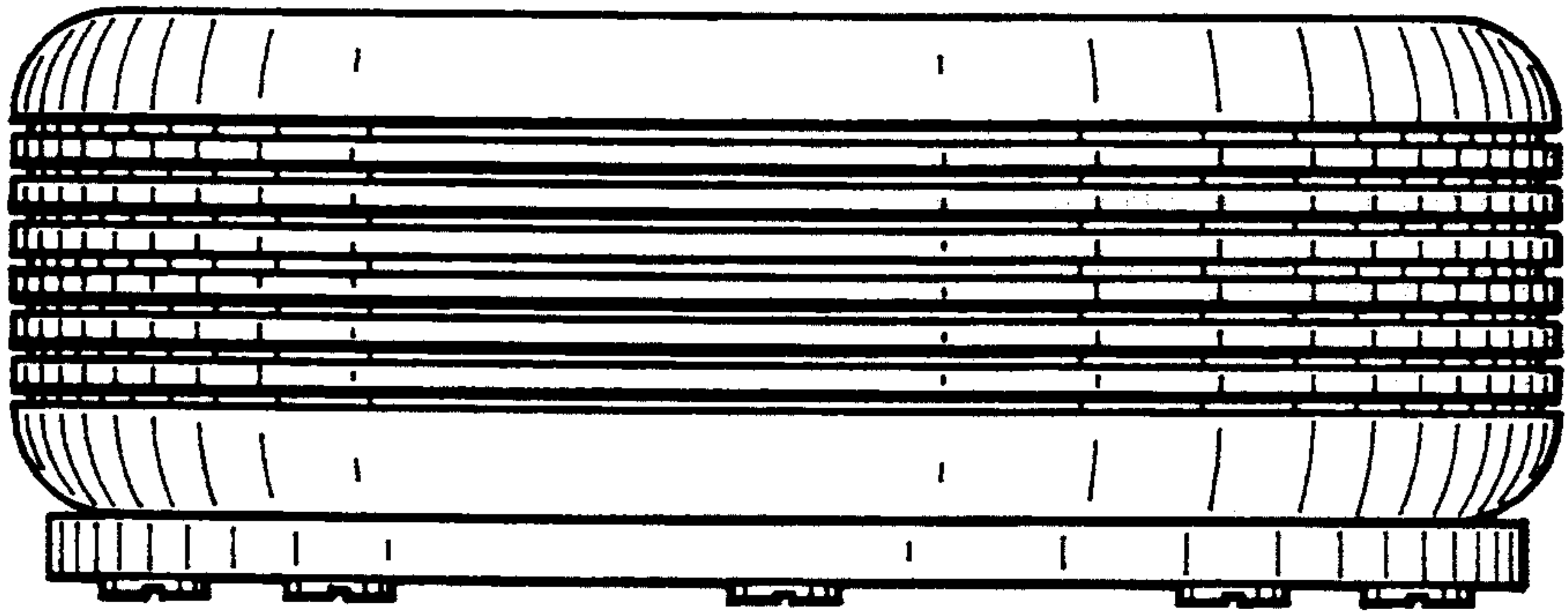


*Fig. 1*

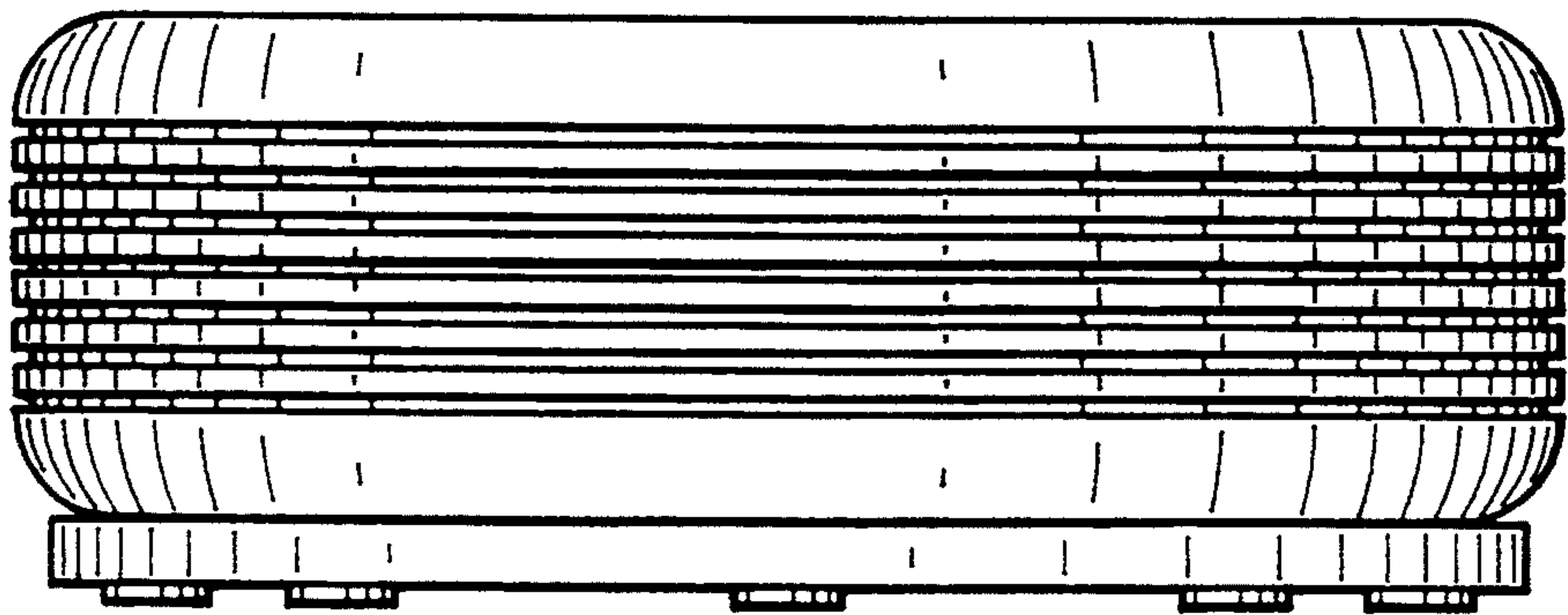


*Fig. 2*

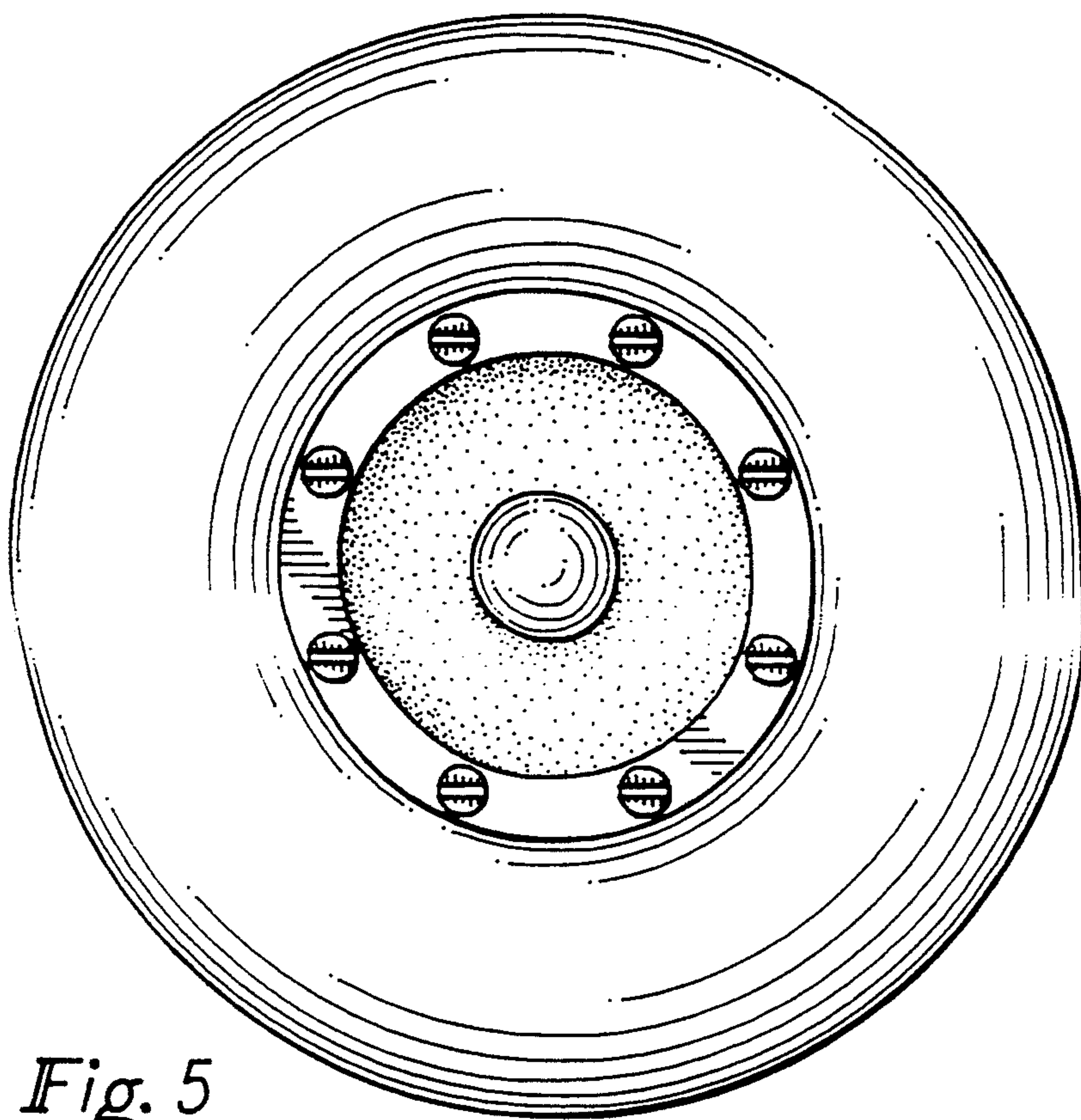




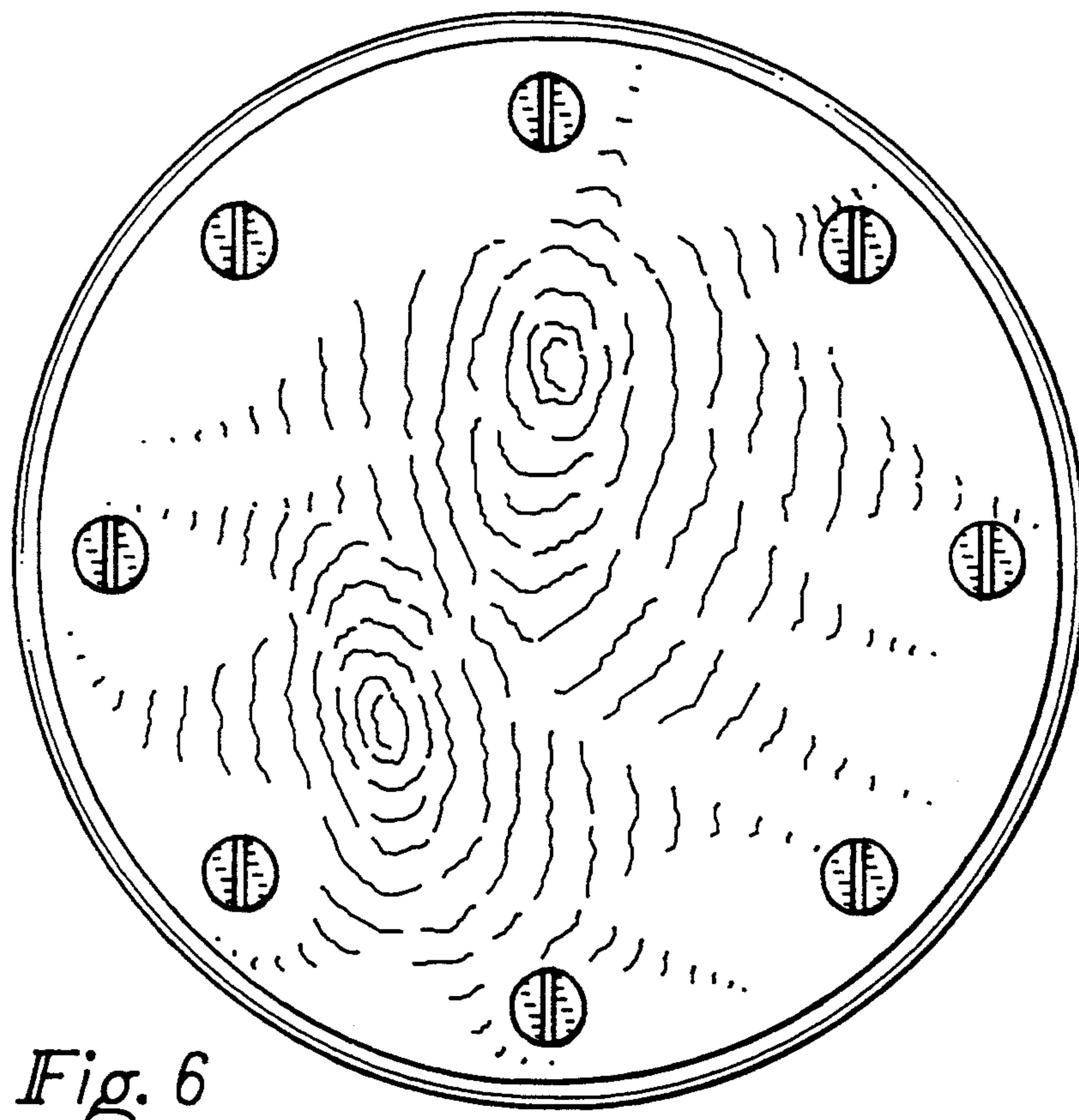
*Fig. 3*



*Fig. 4*



*Fig. 5*



*Fig. 6*