



US00D349496S

United States Patent [19]

[11] Patent Number: **Des. 349,496**

Sato

[45] Date of Patent: **** Aug. 9, 1994**

[54] **CD PLAYER**

[75] Inventor: **Mineo Sato, Kanagawa, Japan**

[73] Assignee: **Marantz-Japan Inc., Kanagawa, Japan**

[**] Term: **14 Years**

[21] Appl. No.: **911,304**

[22] Filed: **Jul. 9, 1992**

[30] **Foreign Application Priority Data**

Jan. 21, 1992 [JP] Japan 4-1249

[52] U.S. Cl. **D14/156**

[58] Field of Search 369/75.1, 75.2, 77.1, 369/77.2; D14/156, 157, 136, 258

[56] **References Cited**

U.S. PATENT DOCUMENTS

- D. 239,407 3/1976 van de Poel D14/156 X
- D. 305,658 1/1990 Hosada D14/156 X
- D. 313,018 12/1990 Funabashi D14/156
- D. 315,157 3/1991 Sogabe D14/156
- D. 327,677 7/1992 Byun D14/136
- D. 328,895 8/1992 Grimes D14/156

Primary Examiner—Theodore M. Shooman
Attorney, Agent, or Firm—Flynn, Thiel, Boutell & Tanis

[57] **CLAIM**

The ornamental design for a CD player, as shown and described.

DESCRIPTION

FIG. 1 is a front perspective view of a CD player embodying my new design;
 FIG. 2 is a back perspective view of the CD player of FIG. 1;
 FIG. 3 is a front elevational view of the CD player shown in FIGS. 1 and 2;
 FIG. 4 is a back elevational view of the CD player shown in FIGS. 1 to 3;
 FIG. 5 is a right side elevational view of the CD player shown in FIGS. 1 to 4;
 FIG. 6 is a left side elevational view of the CD player shown in FIGS. 1 to 5;
 FIG. 7 is a top plan view of the CD player shown in FIGS. 1 to 6; and,
 FIG. 8 is a bottom plan view of the CD player shown in FIGS. 1 to 7.

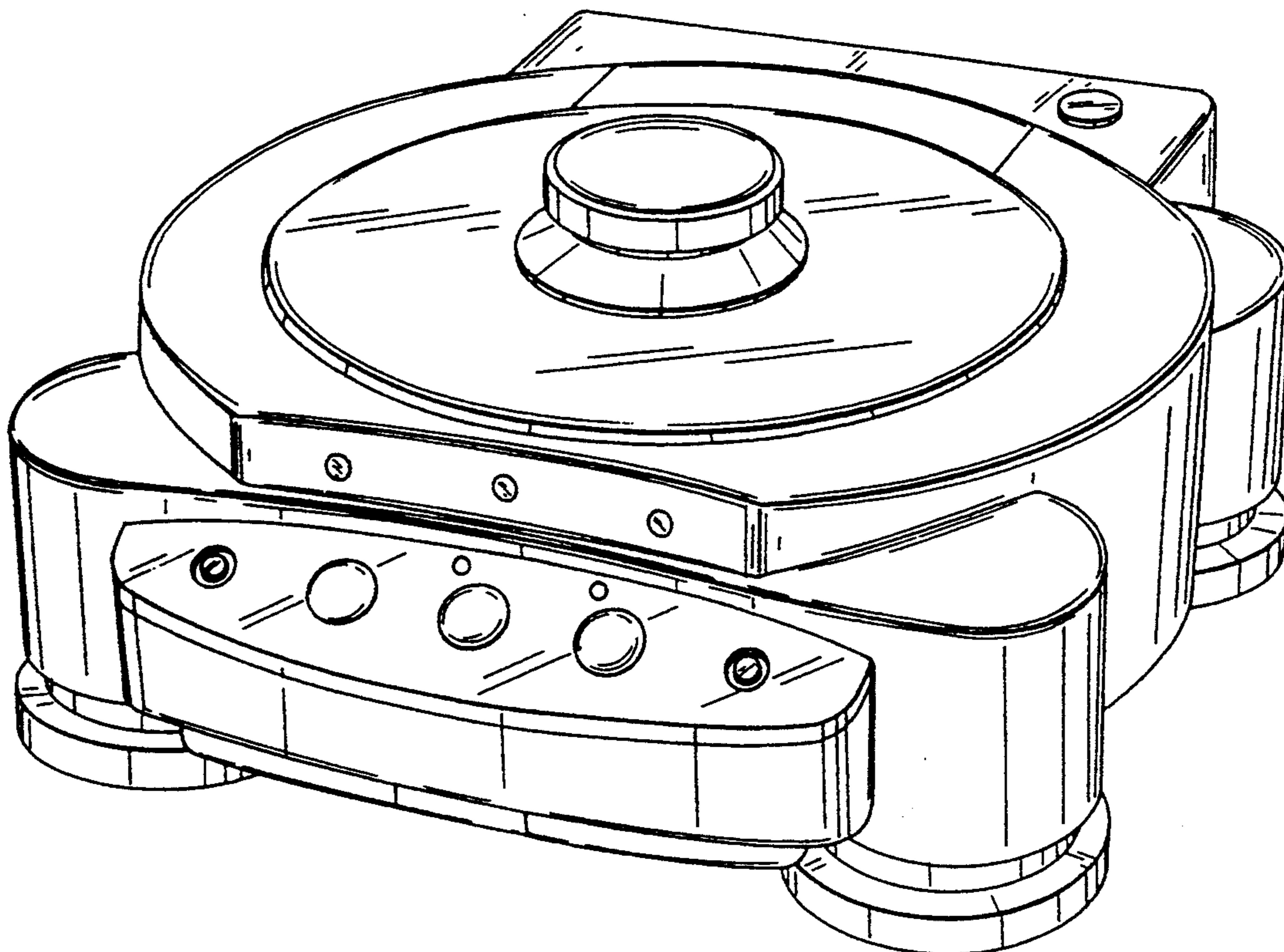


FIG. 1

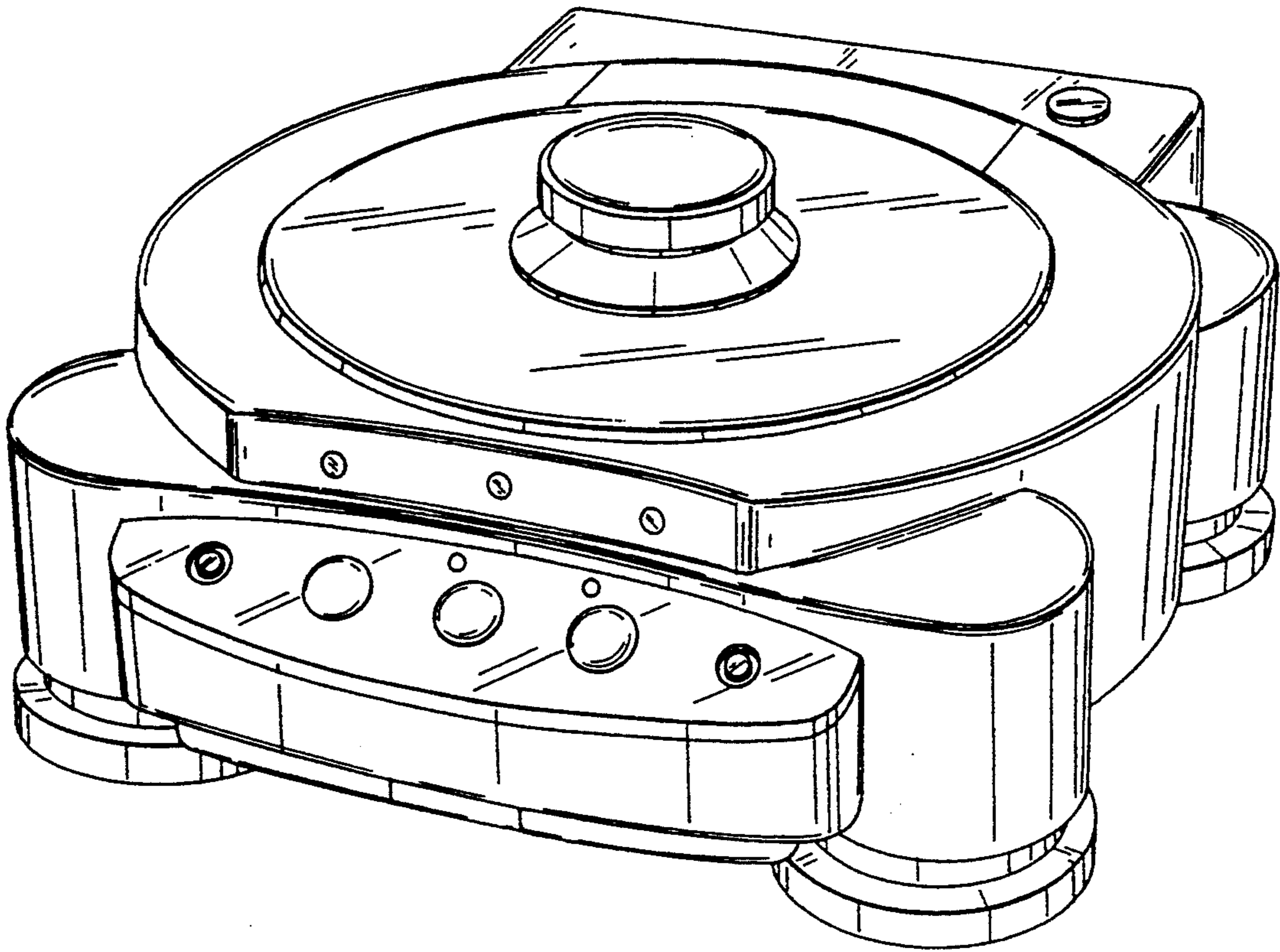


FIG. 2

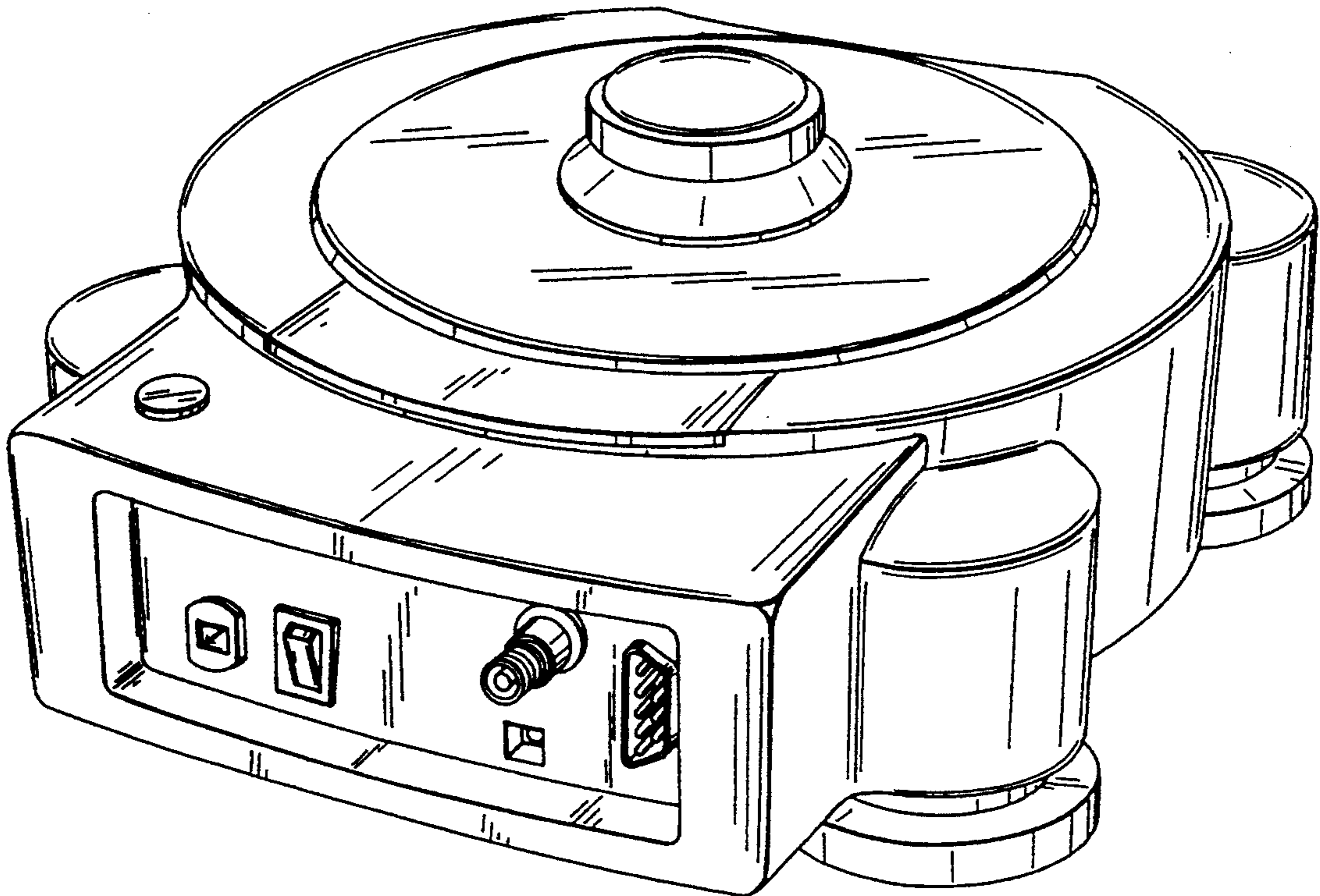


FIG. 3

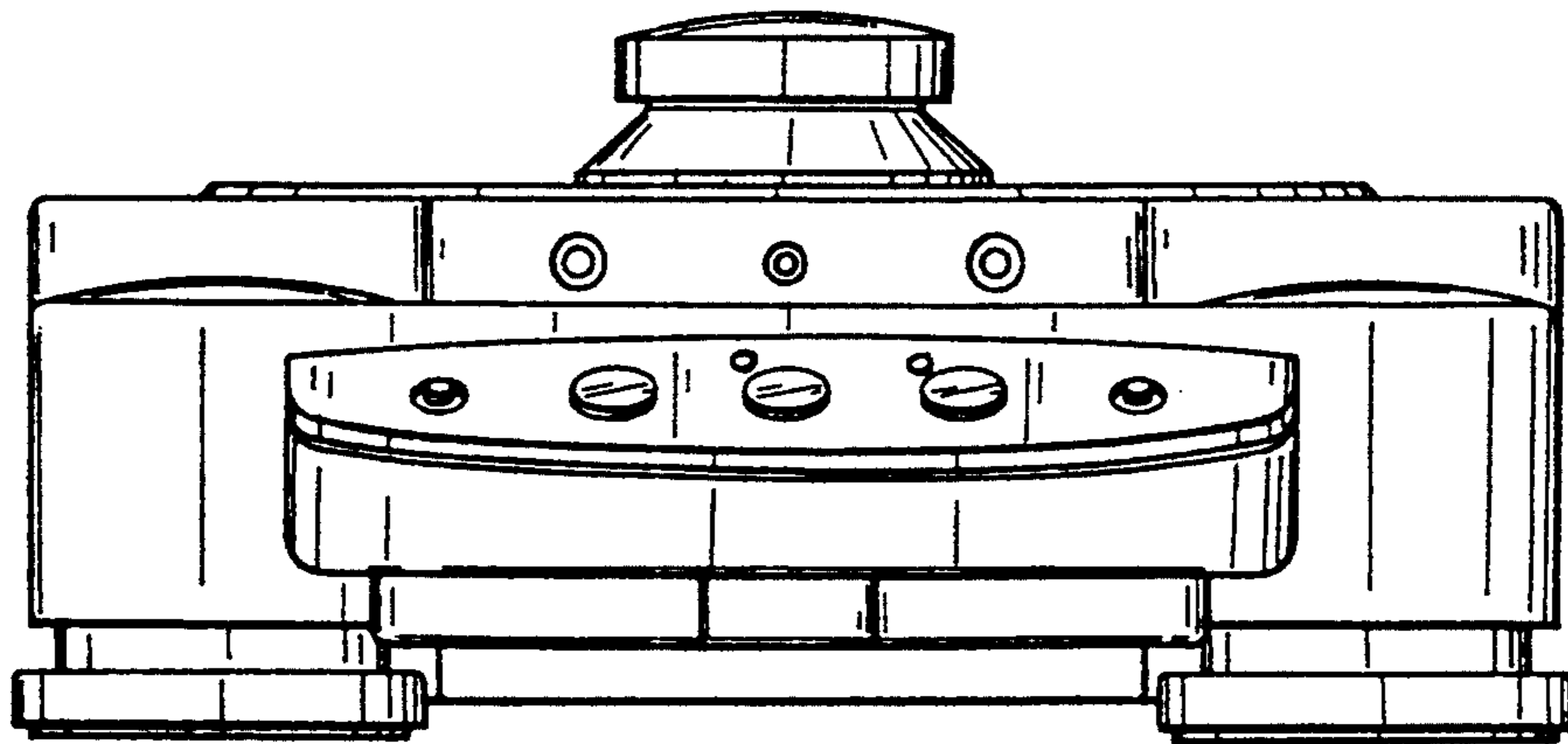


FIG. 4

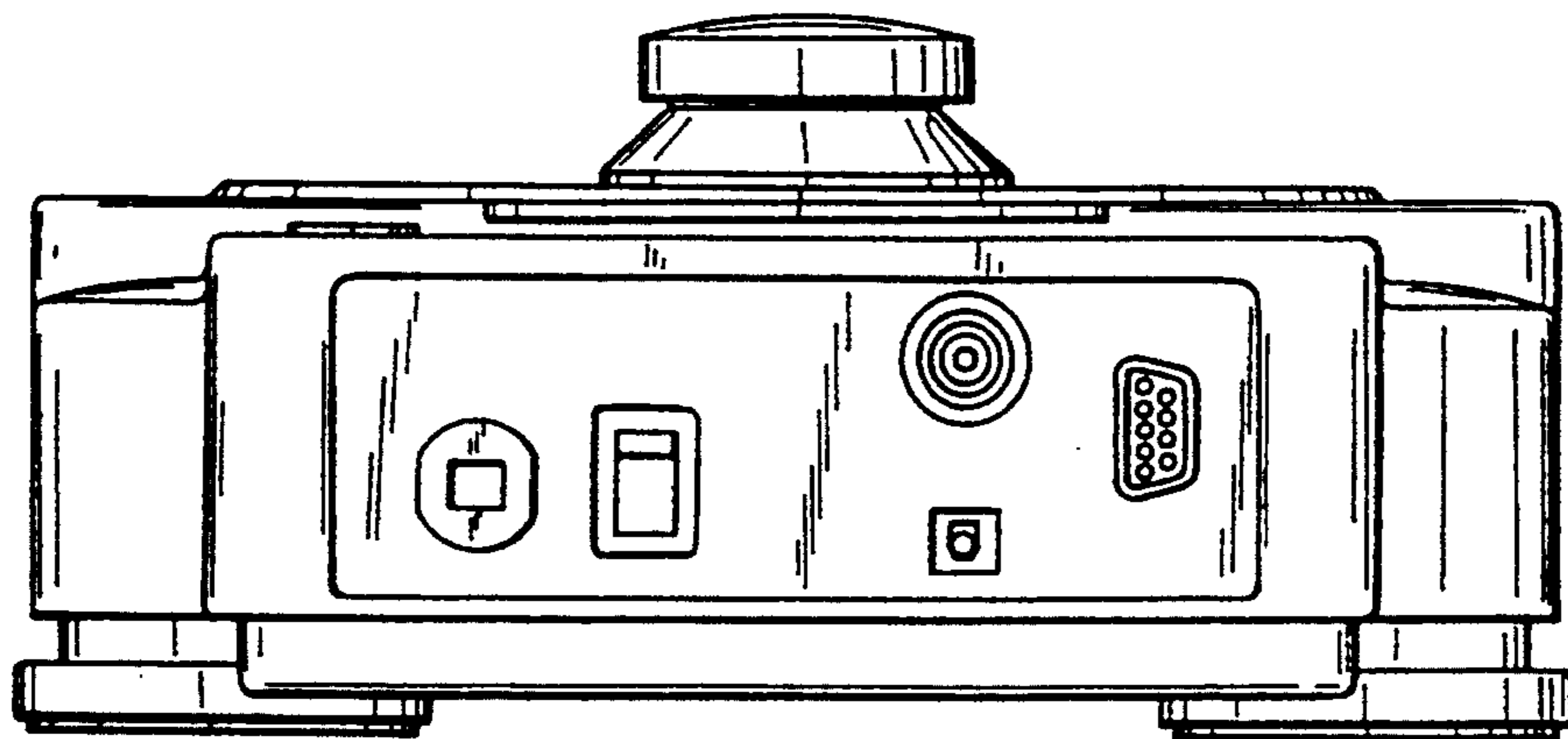


FIG. 5

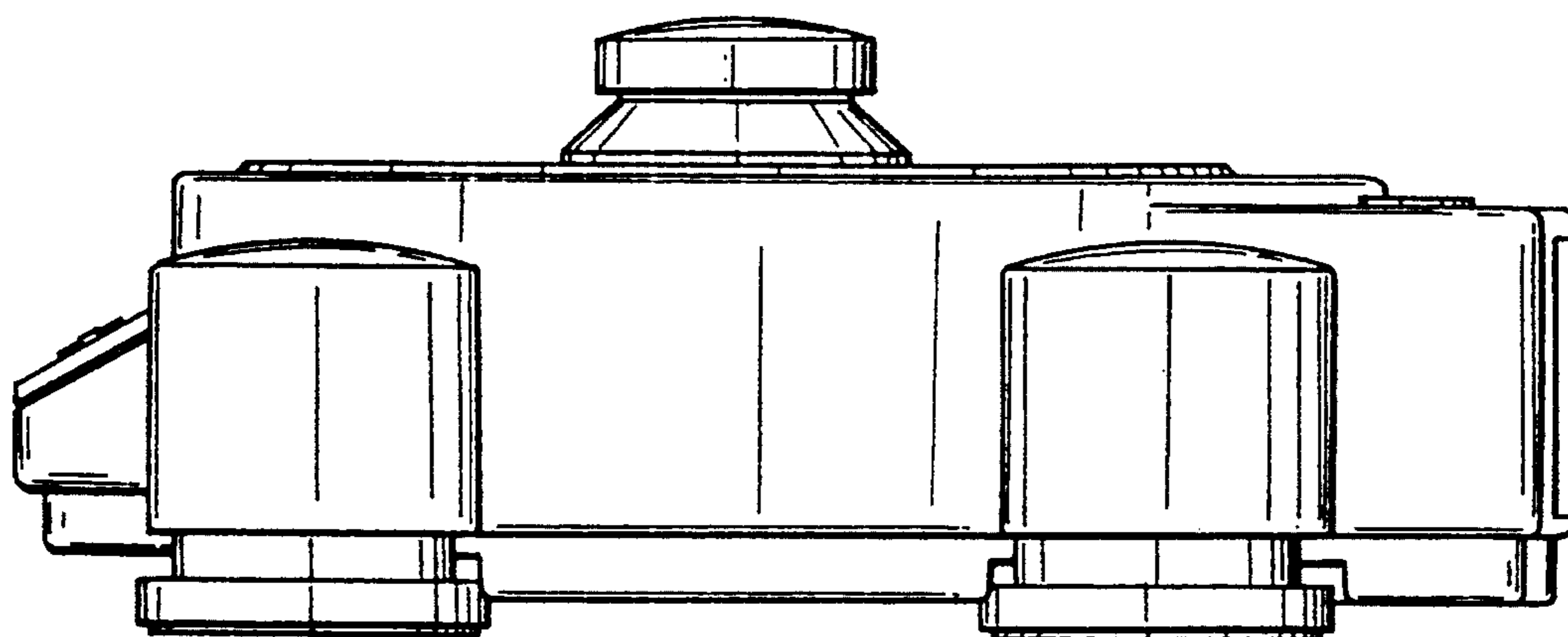


FIG. 6

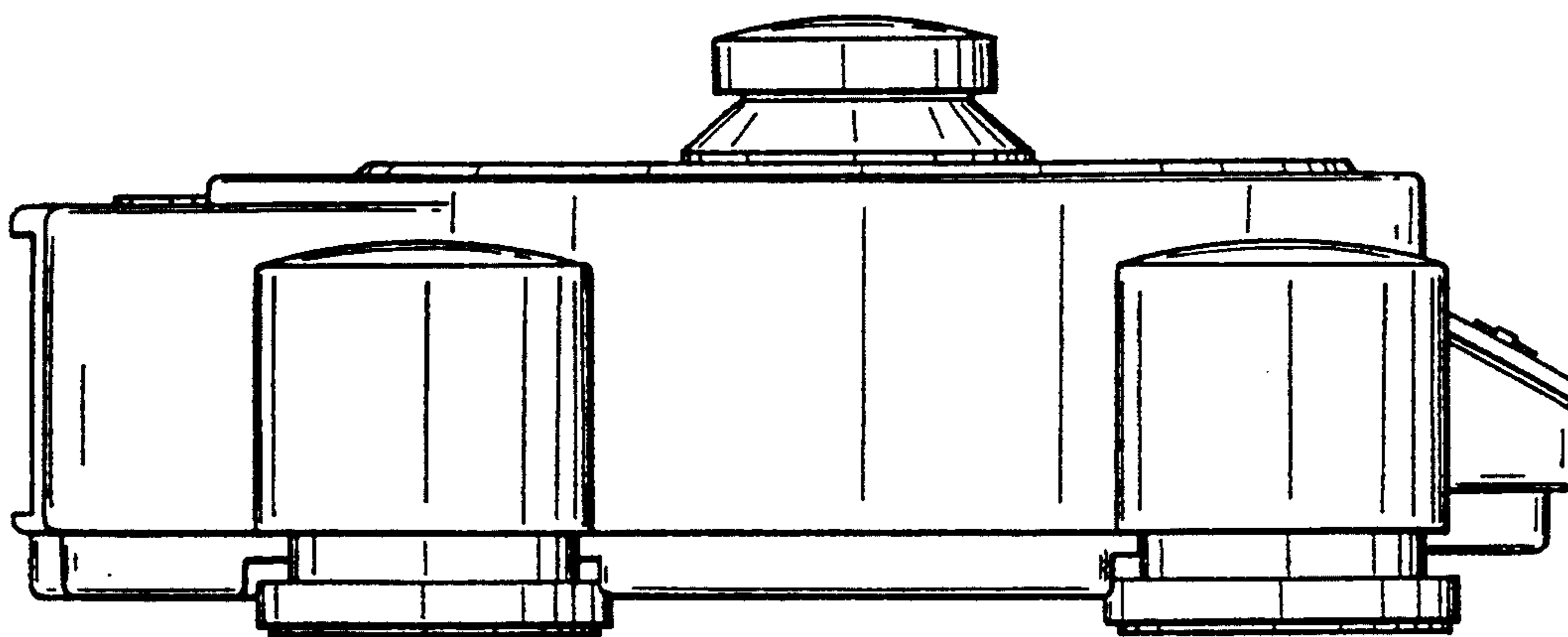


FIG. 7

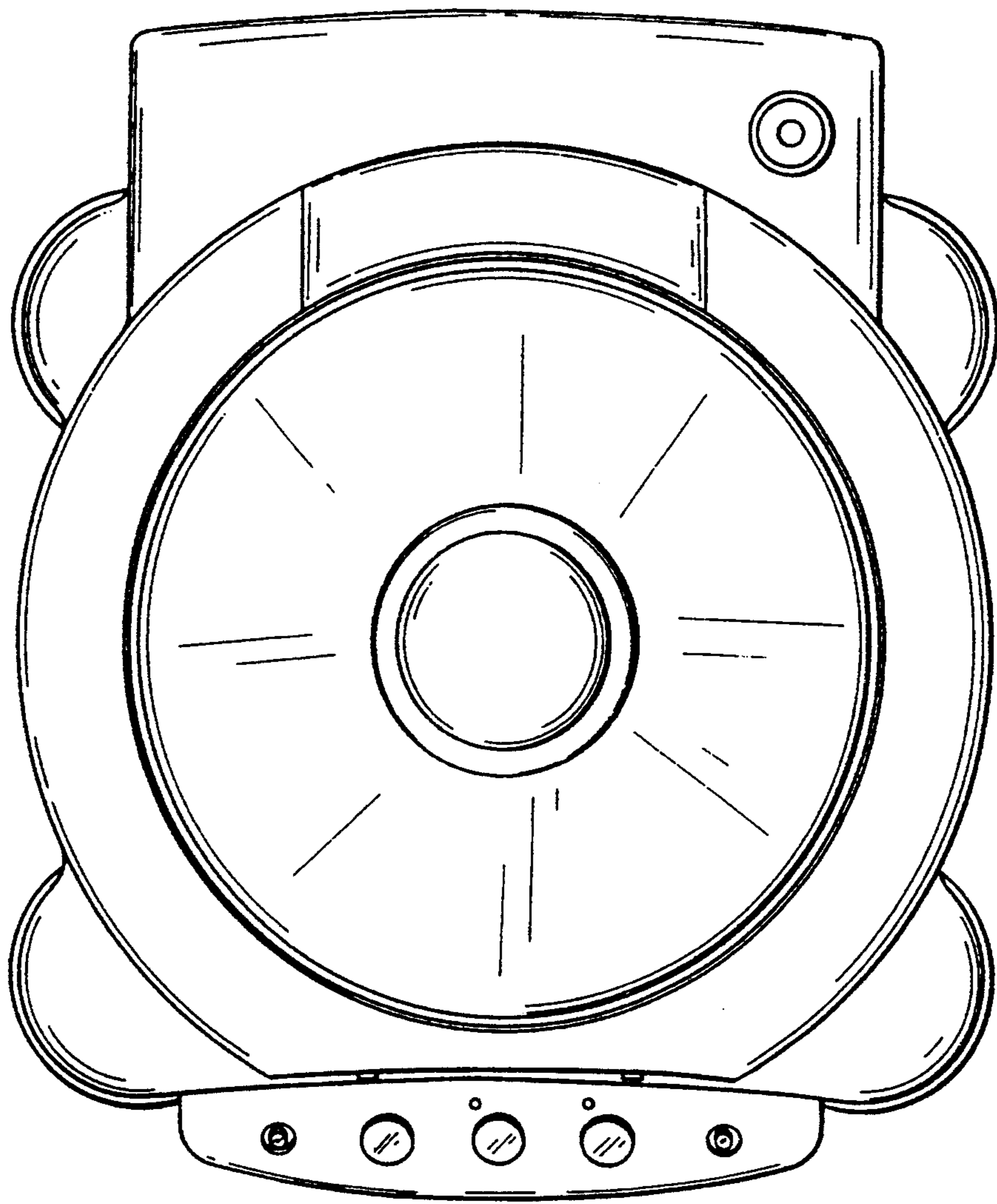


FIG. 8

