



US00D349495S

United States Patent [19] Bak

[11] Patent Number: **Des. 349,495**

[45] Date of Patent: **** Aug. 9, 1994**

[54] **TELEVISION RECEIVER**
[75] Inventor: **Wun S. Bak**, Seoul, Rep. of Korea
[73] Assignee: **Goldstar Co., Ltd.**, Seoul, Rep. of Korea
[**] Term: **14 Years**
[21] Appl. No.: **5,200**
[22] Filed: **Feb. 26, 1993**

D. 306,289 2/1990 Lee D14/126
D. 317,305 6/1991 Tanaka et al. D14/126
D. 336,643 6/1993 Kitashima et al. D14/126
D. 342,495 12/1993 Morita et al. D14/126
D. 342,498 12/1993 Nakamura et al. D14/126
D. 342,502 12/1993 Fukatsu et al. D14/126

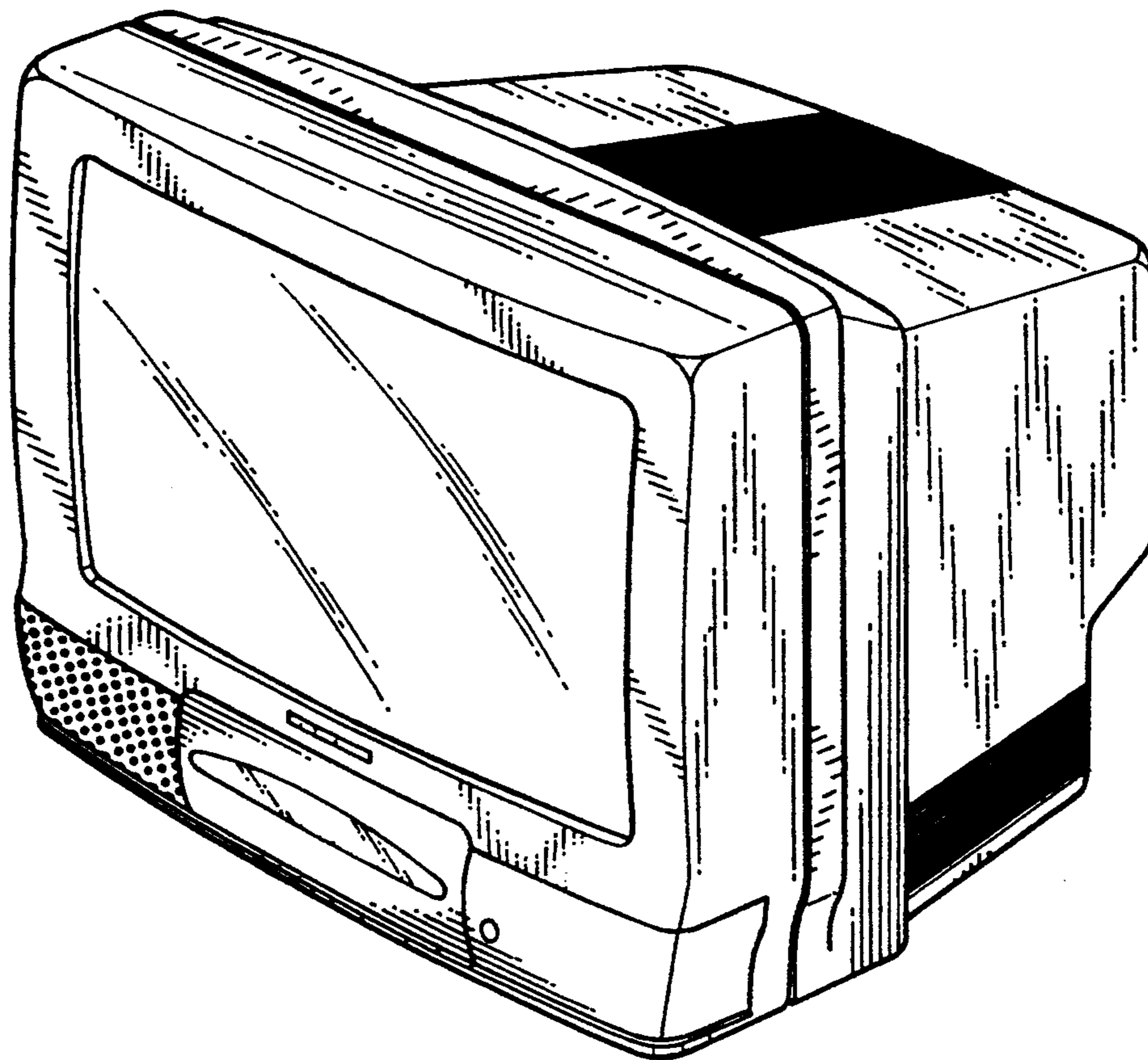
Primary Examiner—Theodore M. Shooman
Attorney, Agent, or Firm—Thomas R. Morrison

[30] **Foreign Application Priority Data**
Sep. 17, 1992 [KR] Rep. of Korea 15601/1992
[52] U.S. Cl. **D14/126**
[58] Field of Search 348/825, 838; 312/7.2;
D14/125-134

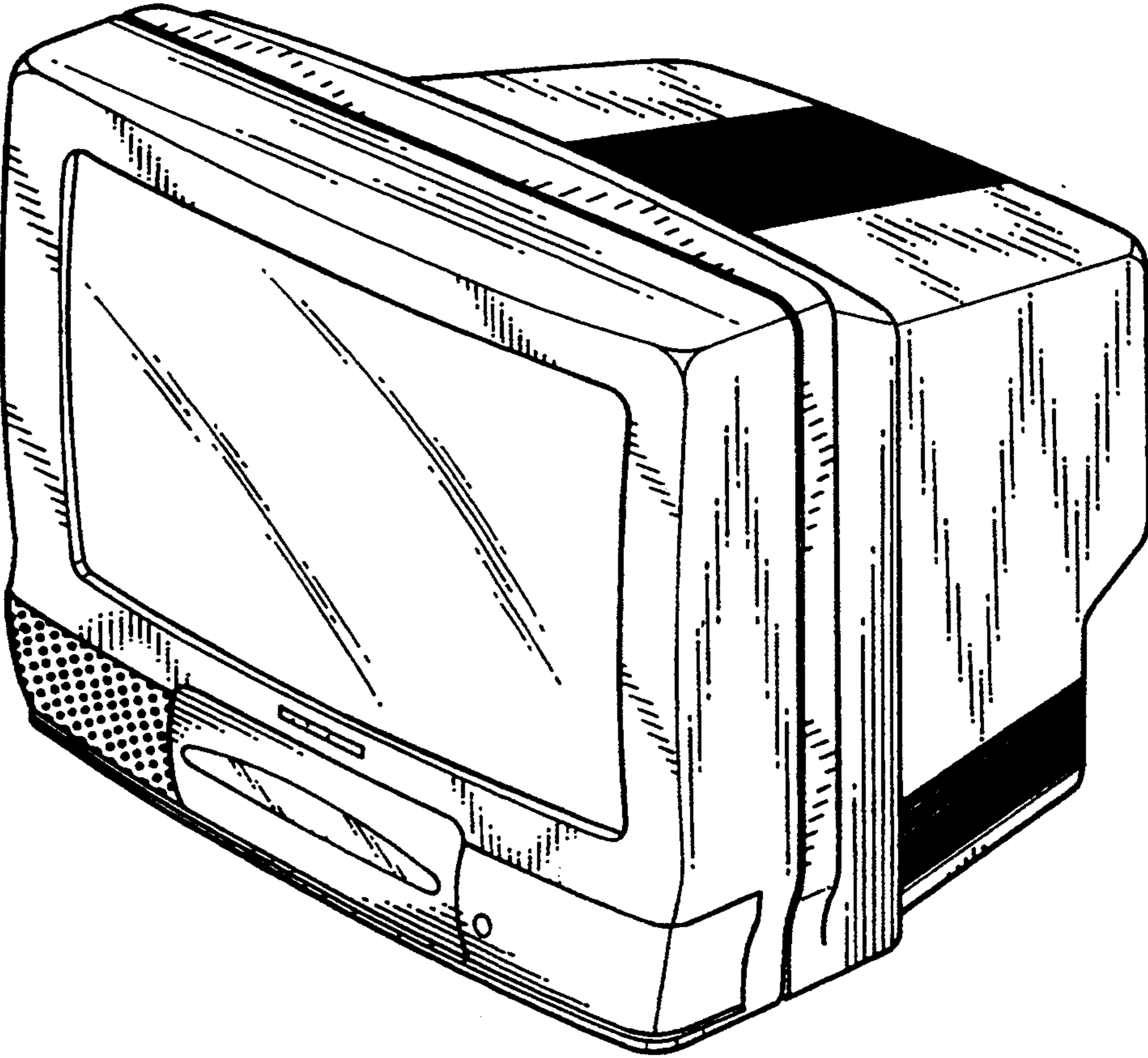
[57] **CLAIM**
The ornamental design for a television receiver, as shown and described.

[56] **References Cited**
U.S. PATENT DOCUMENTS
D. 305,757 1/1990 Kitagawa et al. D14/126

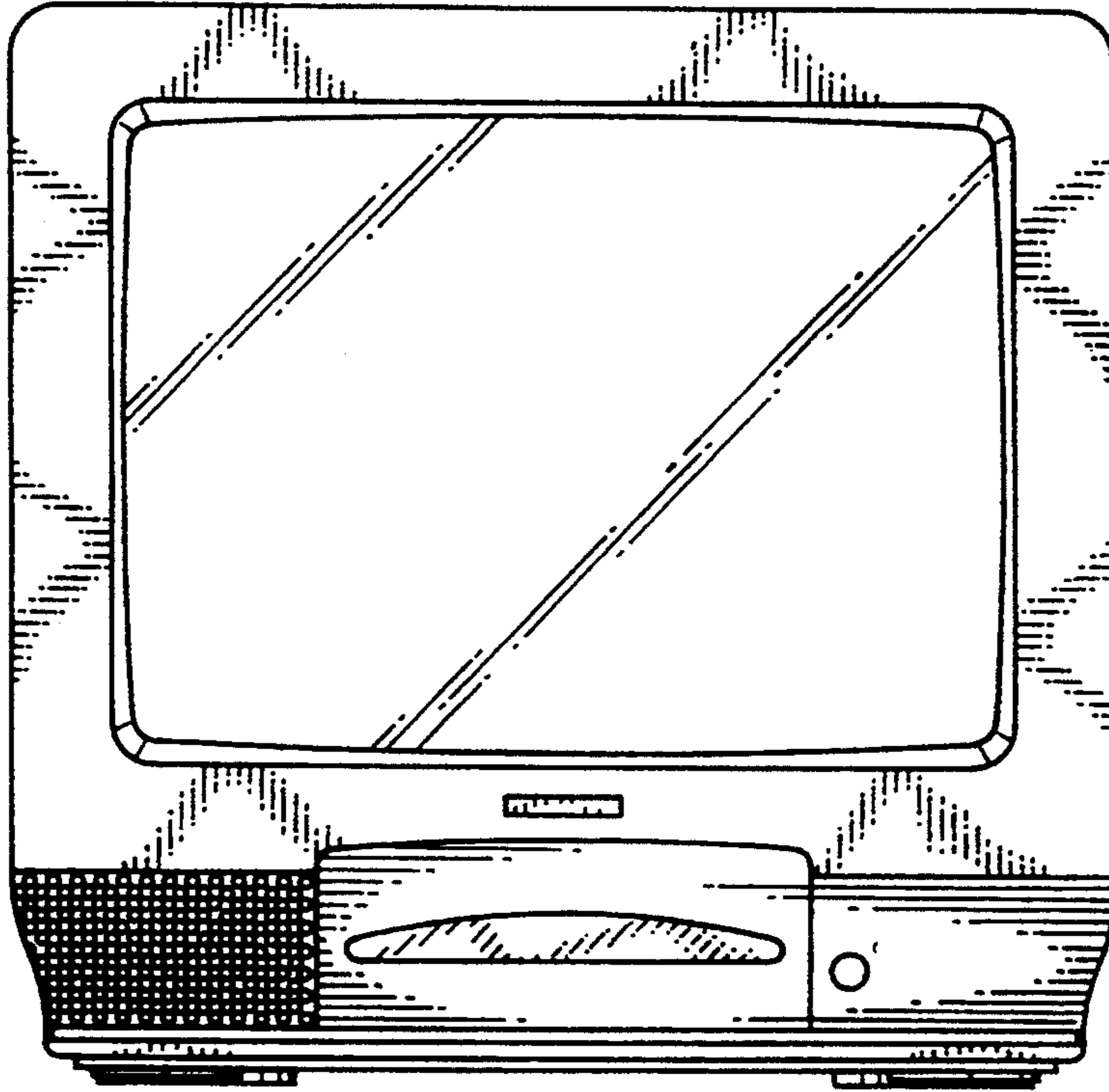
DESCRIPTION
FIG. 1 is a perspective view showing my new design;
FIG. 2 is a front elevational view thereof;
FIG. 3 is a rear elevational view thereof;
FIG. 4 is a left side elevational view thereof;
FIG. 5 is a right side elevational view thereof;
FIG. 6 is a top plan view thereof; and,
FIG. 7 is a bottom plan view thereof.



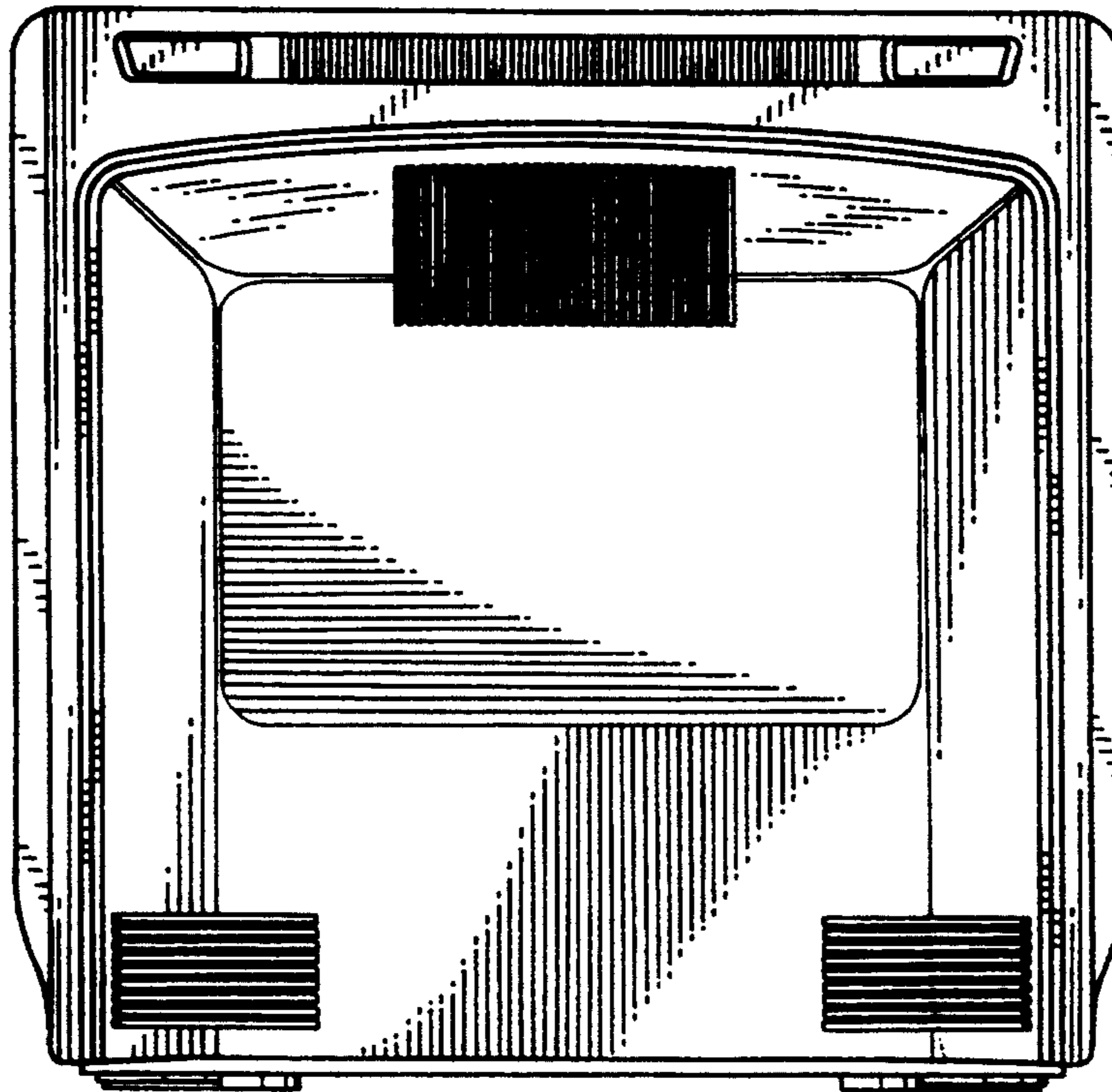
F I G . 1



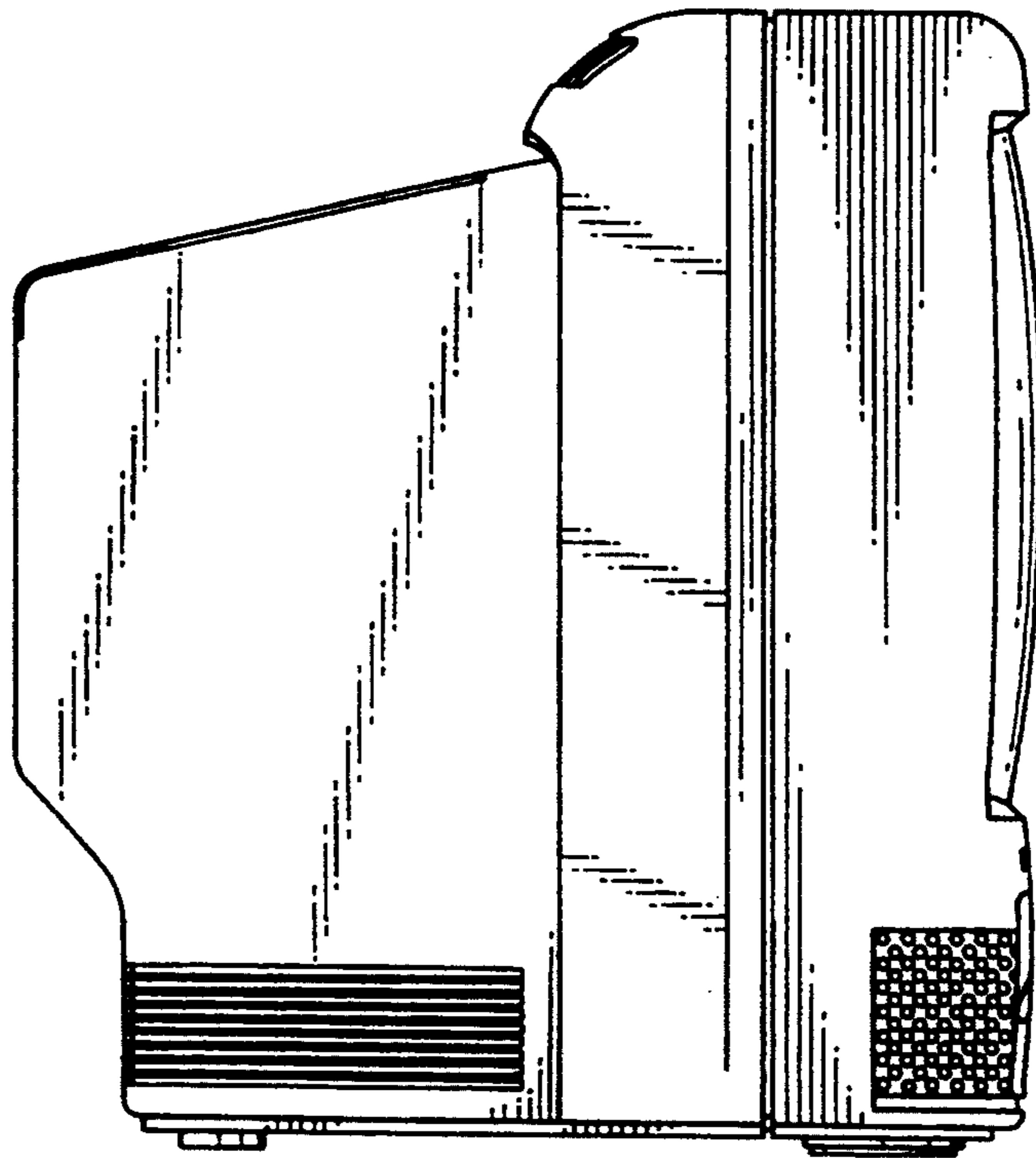
F I G . 2



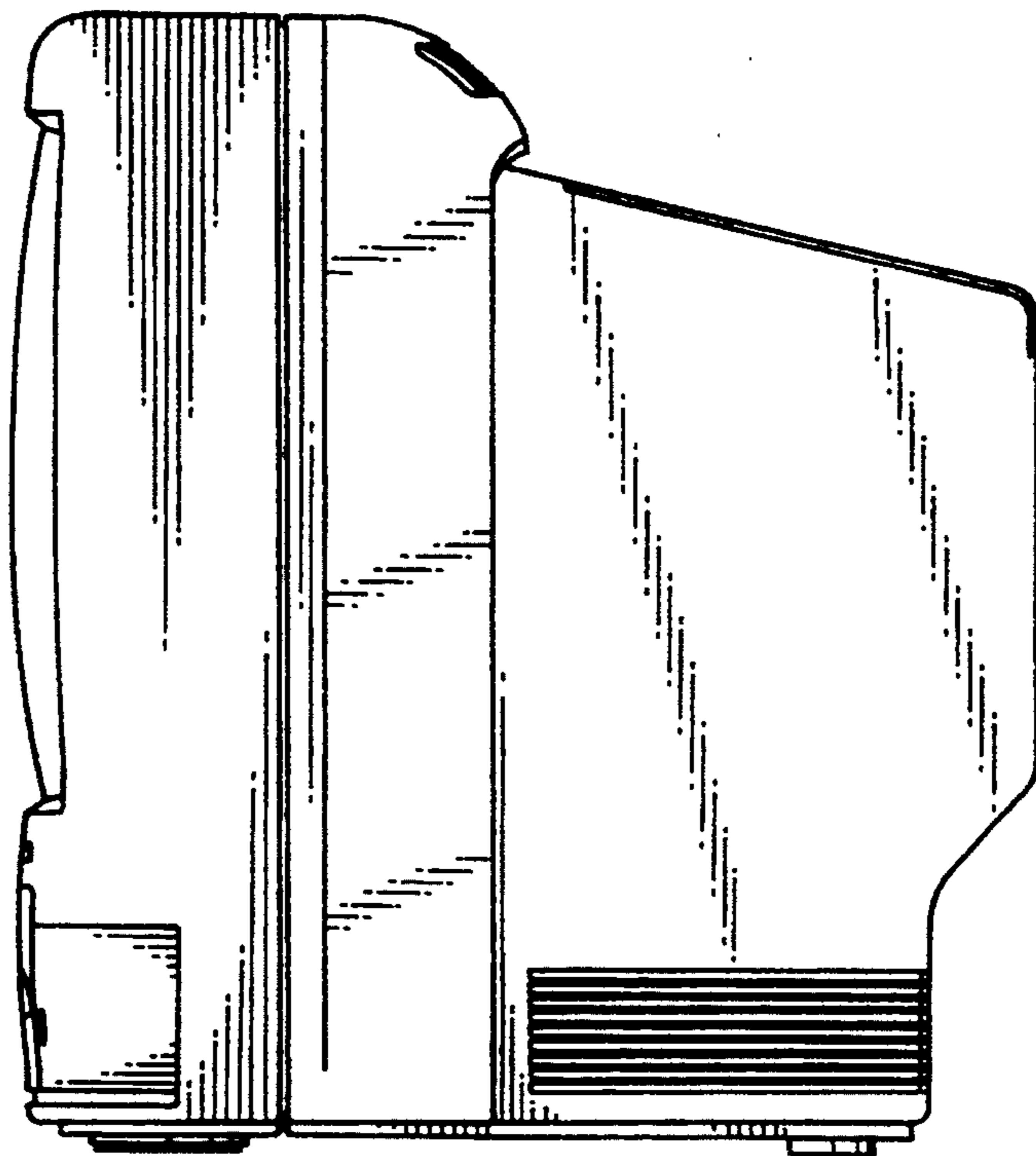
F I G . 3



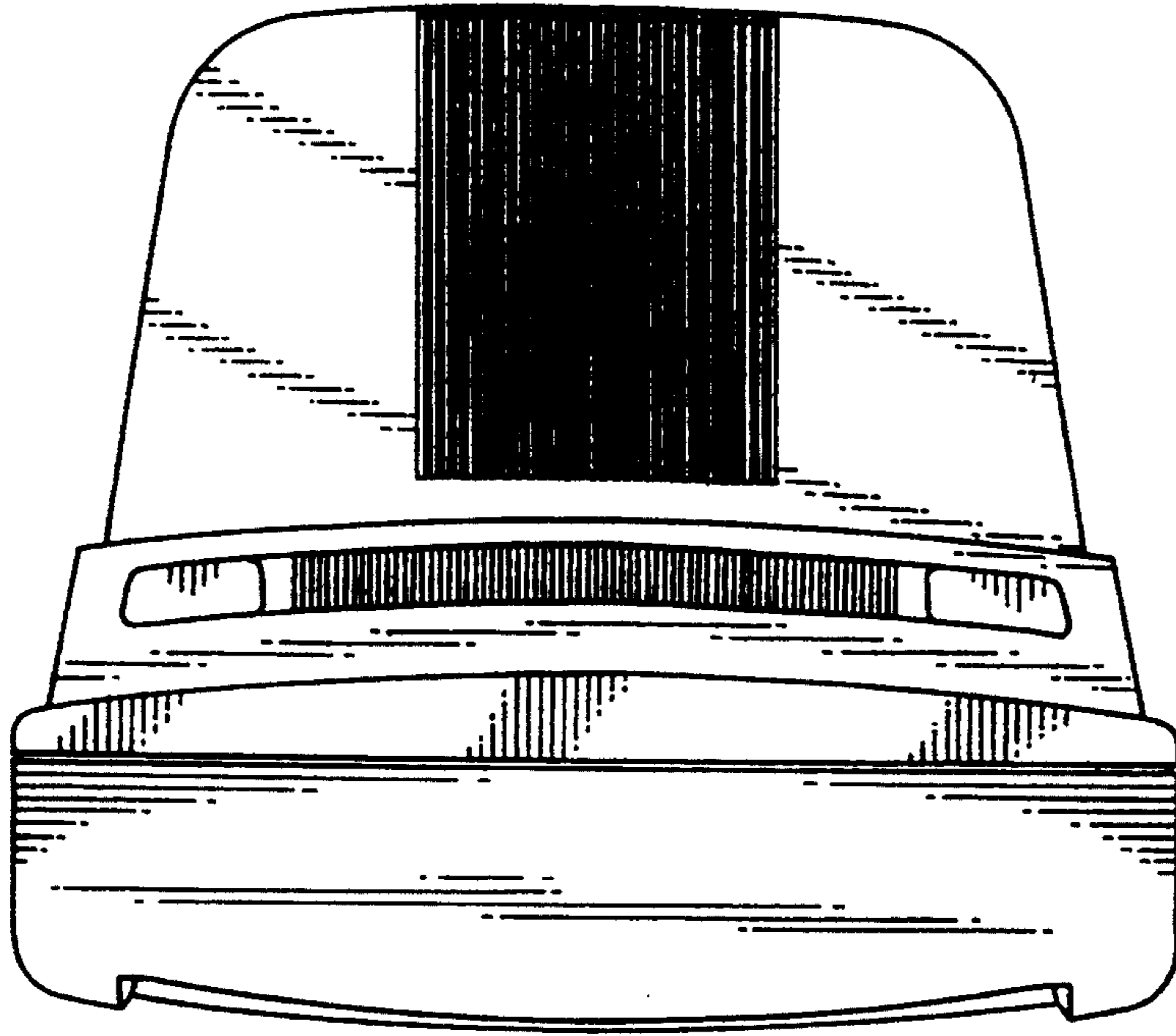
F I G . 4



F I G . 5



F I G . 6



F I G . 7

