



US00D349494S

United States Patent [19]

Aderman et al.

[11] Patent Number: **Des. 349,494**

[45] Date of Patent: **** Aug. 9, 1994**

[54] **FRONT PANEL FOR A RACK MOUNTED DISK STORAGE SUBSYSTEM OF A DATA PROCESSING SYSTEM**

[75] Inventors: **Wayne L. Aderman, Zumbro Falls; David W. Hill, Rochester, Minn.**

[73] Assignee: **International Business Machines Corporation, Armonk, N.Y.**

[**] Term: **14 Years**

[21] Appl. No.: **903,208**

[22] Filed: **Jun. 23, 1992**

[52] U.S. Cl. **D14/115**

[58] Field of Search 358/249, 254; 312/223.2; 361/390, 395; D14/100, 102, 109, 115; D13/162

[56] **References Cited**

U.S. PATENT DOCUMENTS

- D. 308,671 6/1990 Aderman et al. D14/109 X
- D. 308,672 6/1990 Aderman et al. D14/115
- D. 332,947 2/1993 Kline et al. D14/115

- D. 333,134 2/1993 Aderman D14/115
- D. 335,492 5/1993 Sharp D14/115

Primary Examiner—Wallace R. Burke
Assistant Examiner—Freda S. Nunn
Attorney, Agent, or Firm—Roy W. Truelson

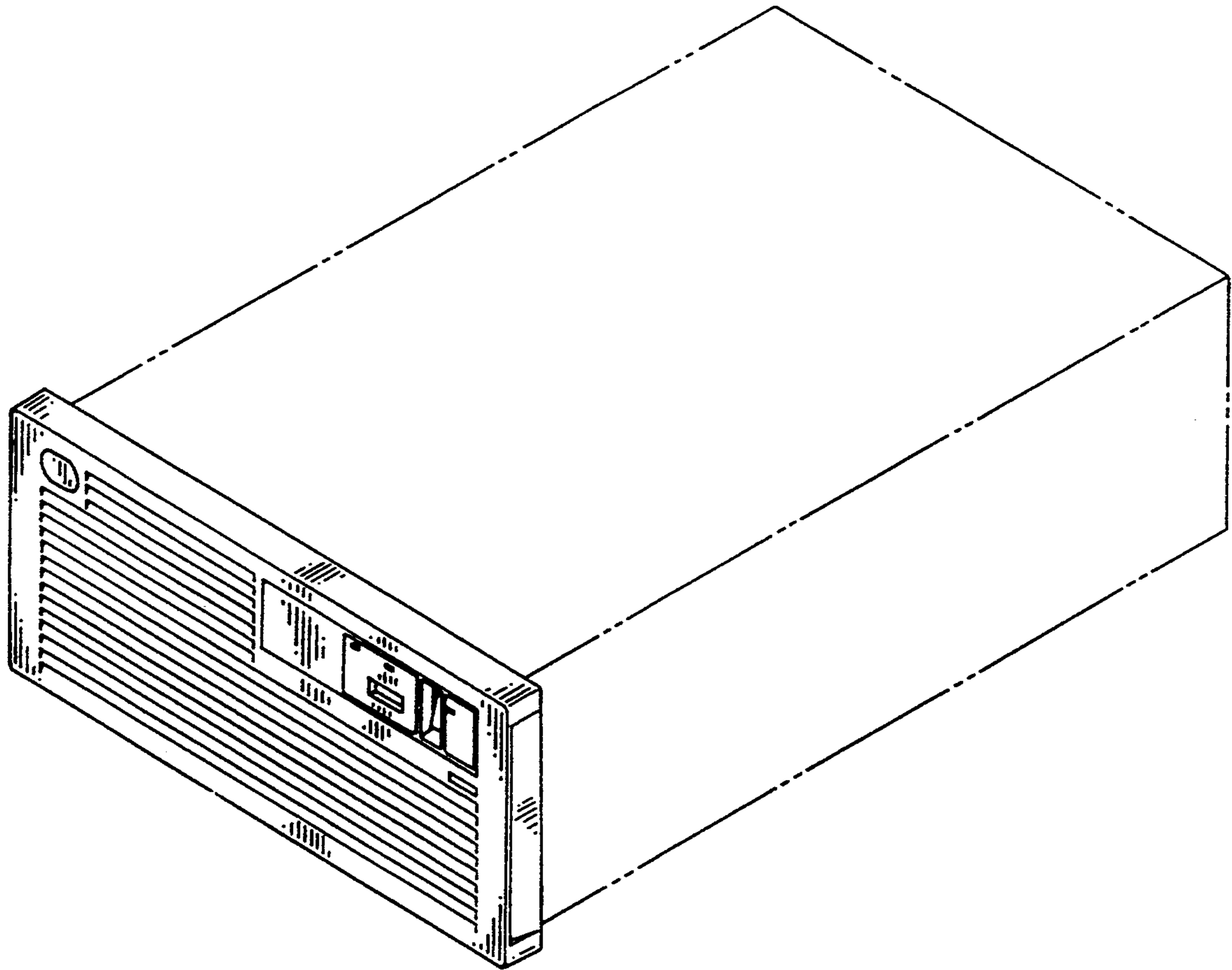
[57] **CLAIM**

The ornamental design for a front panel for a rack mounted disk storage subsystem of a data processing system, as shown and described.

DESCRIPTION

FIG. 1 is a top, front, right side isometric view of a front panel for a rack mounted disk storage subsystem of a data processing system showing our new design; FIG. 2 is a front elevation thereof on an enlarged scale; FIG. 3 is a left side elevation thereof, the right side elevation is identical in appearance; FIG. 4 is a rear elevation thereof; FIG. 5 is a top plan thereof; and, FIG. 6 is a bottom plan thereof.

The rack mounted disk storage subsystem is shown in broken lines in the views for illustrative purposes only and forms no part of the claimed design.



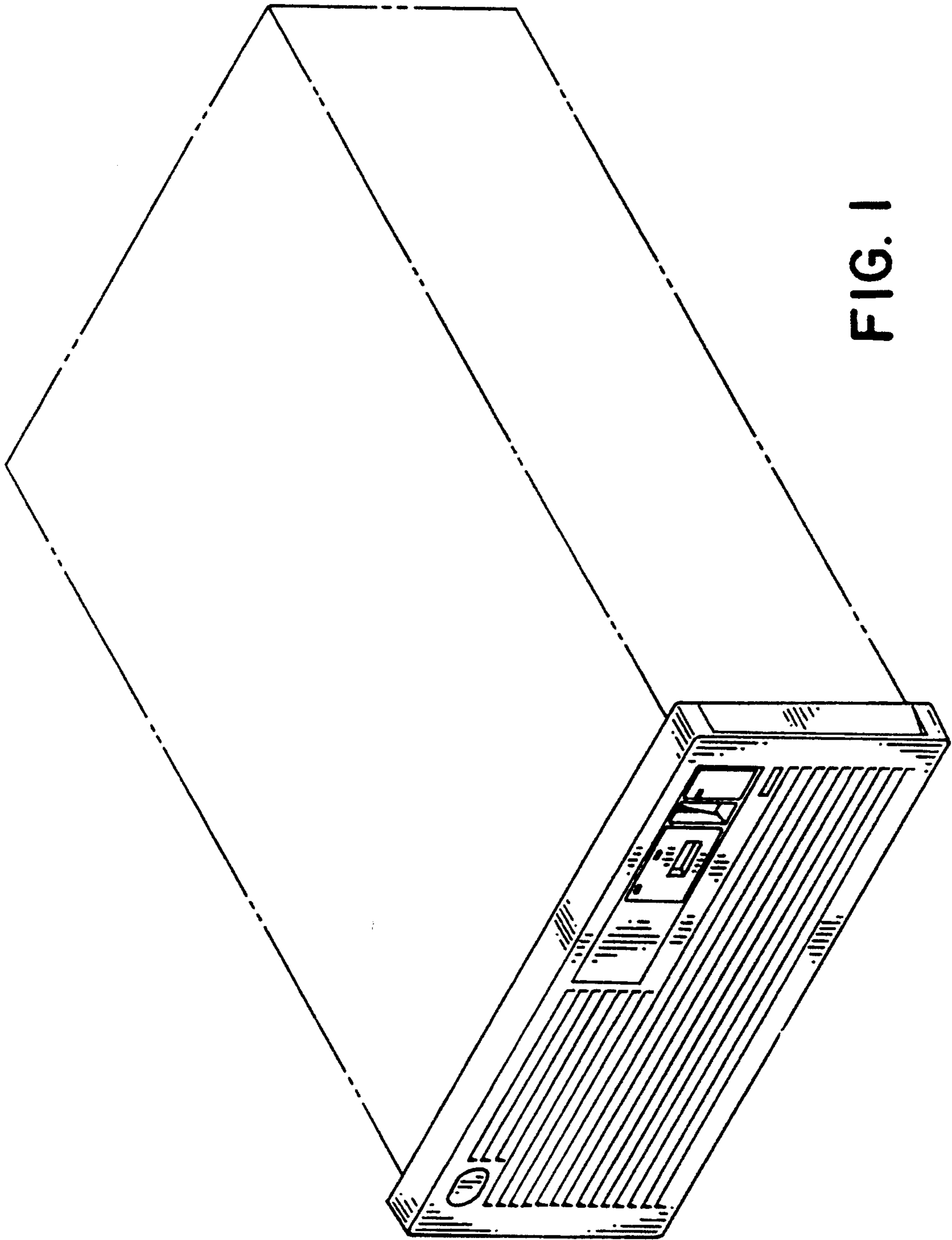


FIG. 1

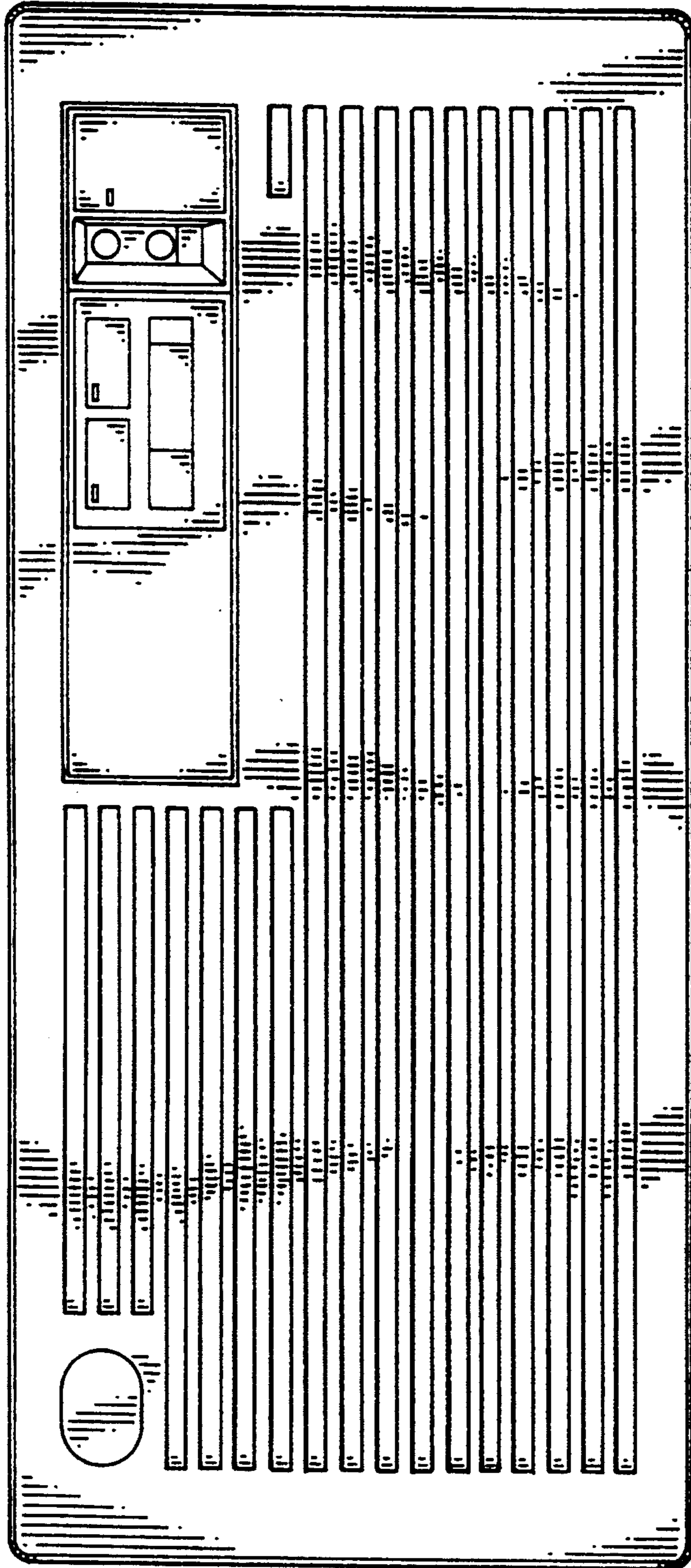


FIG. 2

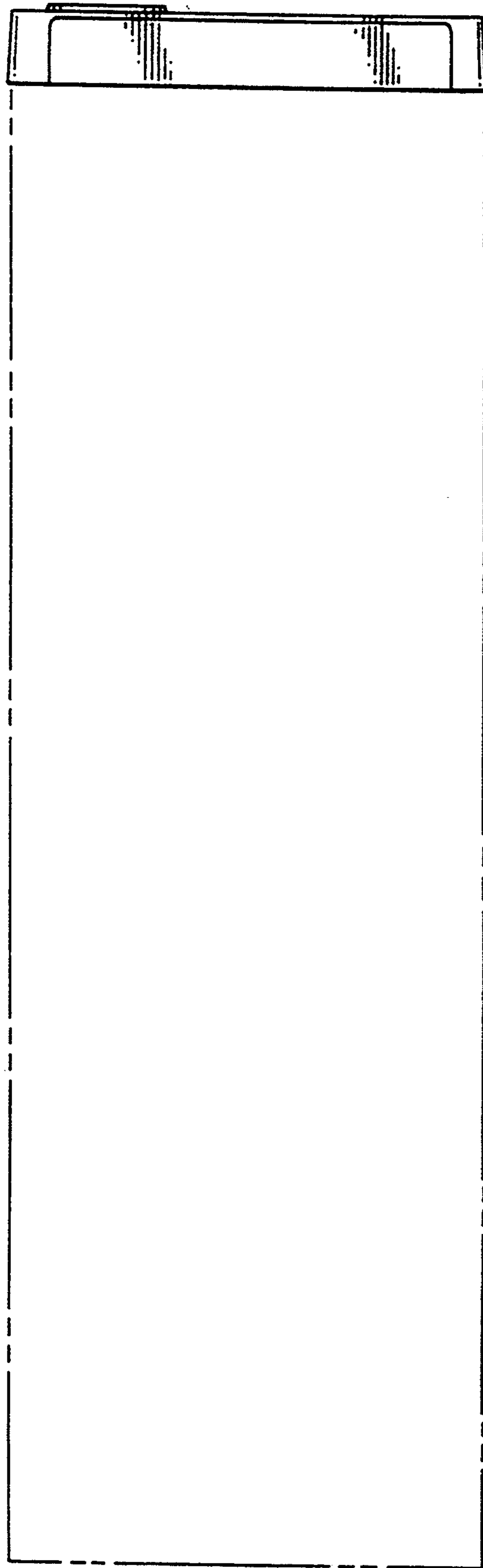


FIG. 3

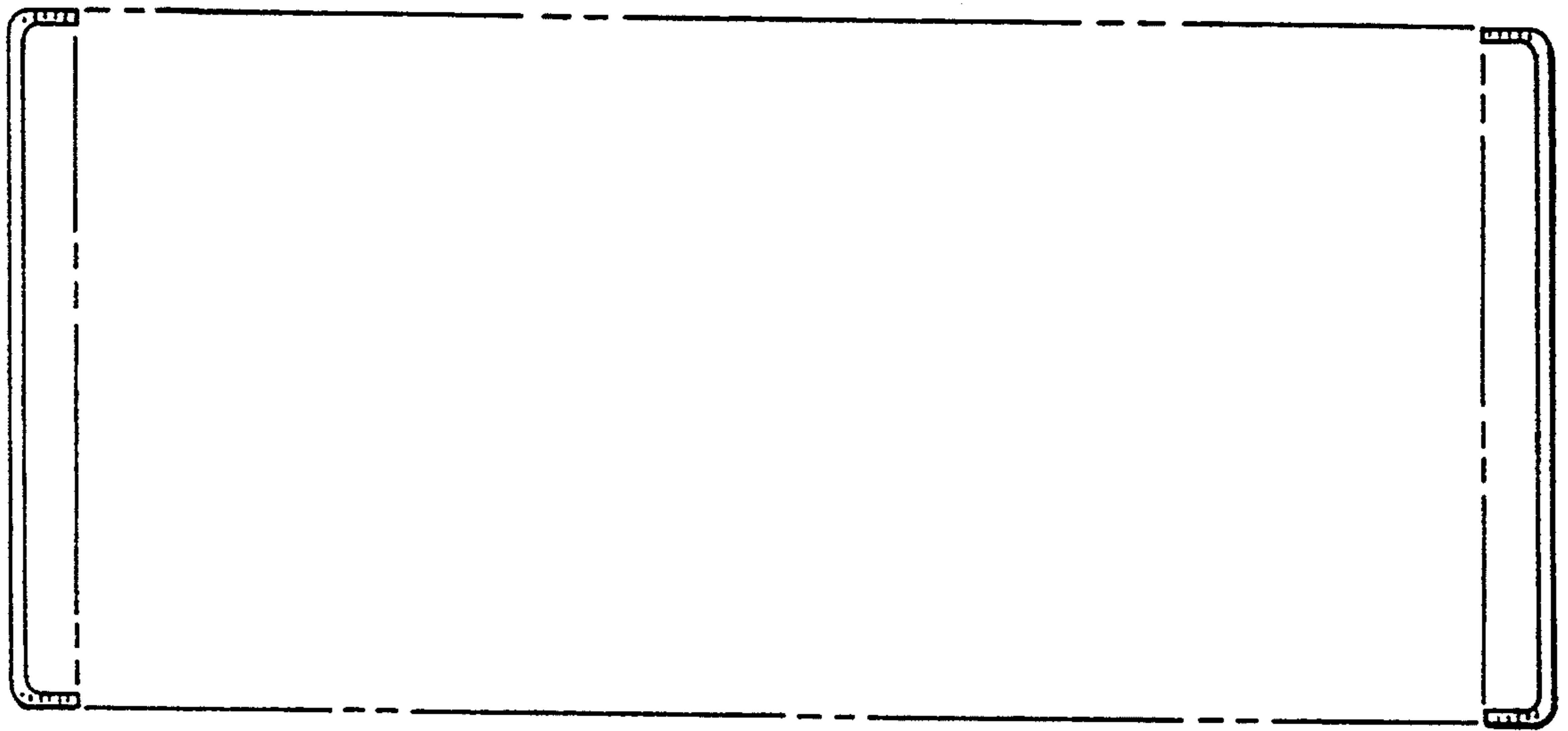


FIG. 4

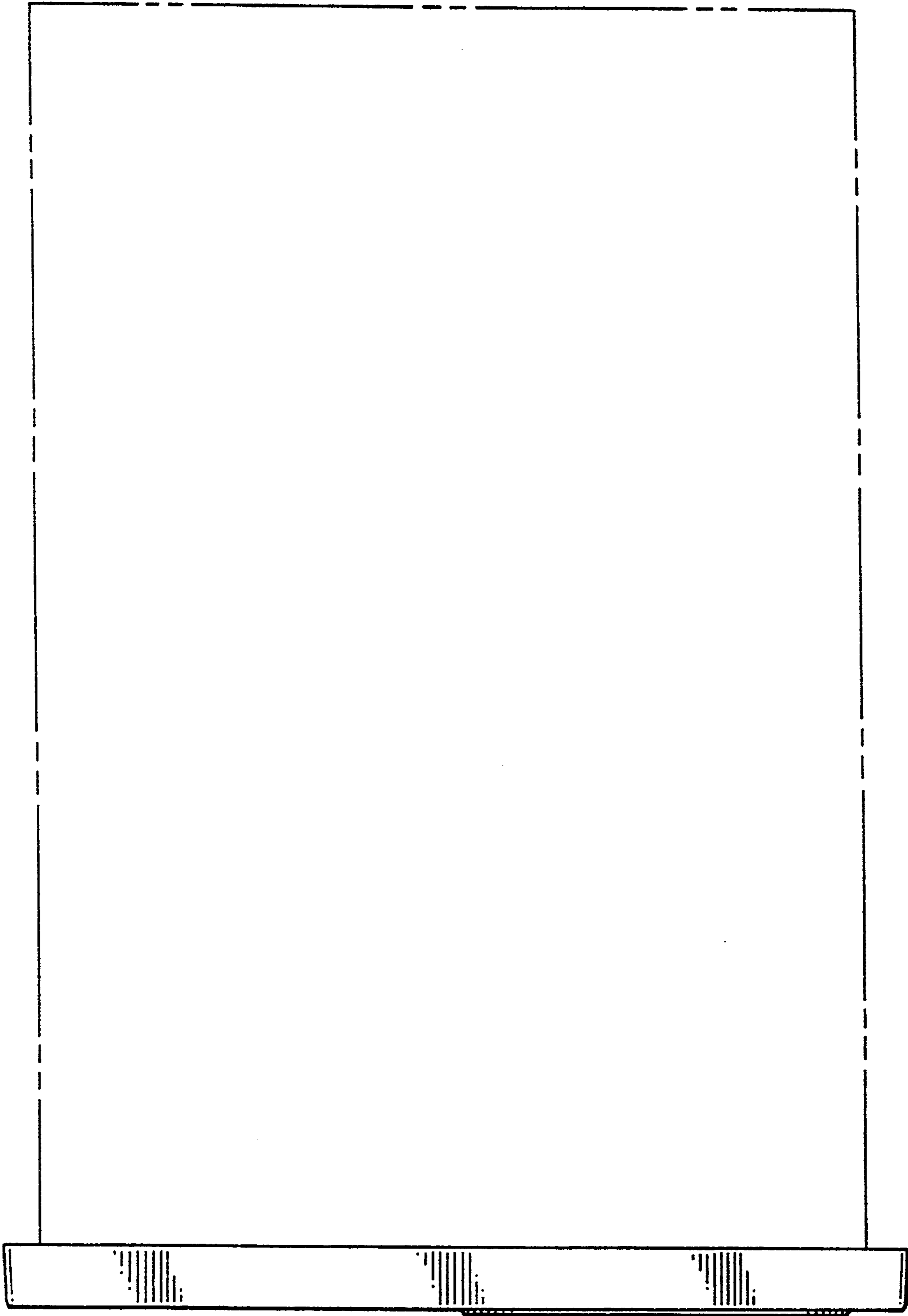


FIG. 5

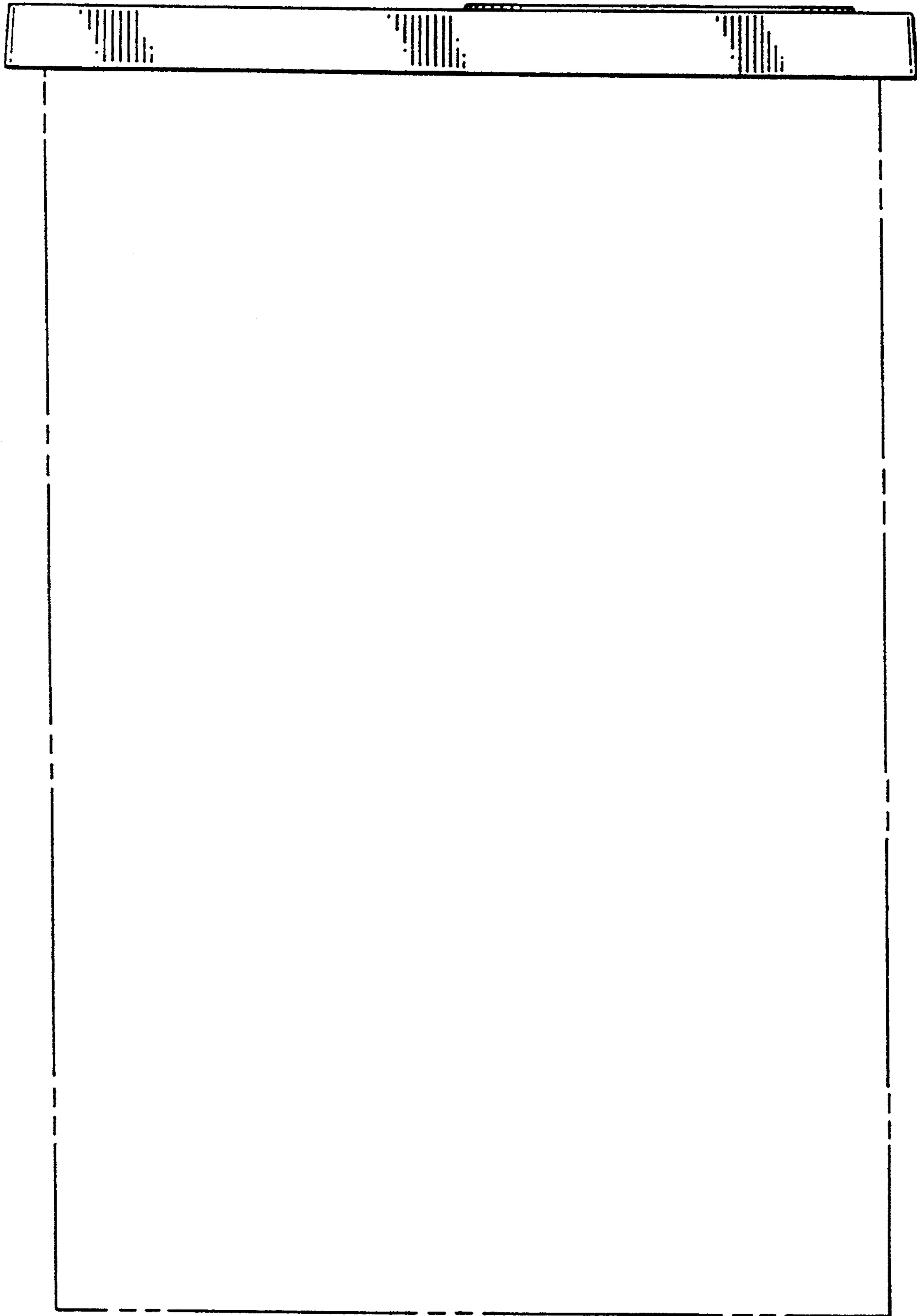


FIG. 6