



US00D349492S

# United States Patent [19]

[11] Patent Number: **Des. 349,492**

**Tso**

[45] Date of Patent: **\*\* Aug. 9, 1994**

[54] **CLAMP FOR FASTENING A TRACKBALL TO A COMPUTER KEYBOARD**

D. 342,241 12/1993 Ashmun et al. .... D14/114  
4,760,986 8/1988 Harrison ..... 248/225.31  
4,997,154 3/1991 Little ..... 248/225.31

[76] Inventor: **Shih-Yang Tso**, 11th Fl., No. 116,  
Sec. 2, Nan King E. Rd., Taipei,  
Taiwan

*Primary Examiner*—Wallace R. Burke  
*Assistant Examiner*—M. T. Tung  
*Attorney, Agent, or Firm*—Bacon & Thomas

[\*\*] Term: **14 Years**

[57] **CLAIM**

[21] Appl. No.: **892,020**

The ornamental design for a clamp for fastening a trackball to a computer keyboard, as shown and described.

[22] Filed: **Jun. 4, 1992**

[52] U.S. Cl. .... **D14/114**

[58] Field of Search ..... **D8/72-73,**  
**D8/394-396; 248/224.2, 229, 231.4, 225.31,**  
**316.4, 442.2, 917-924; D14/114**

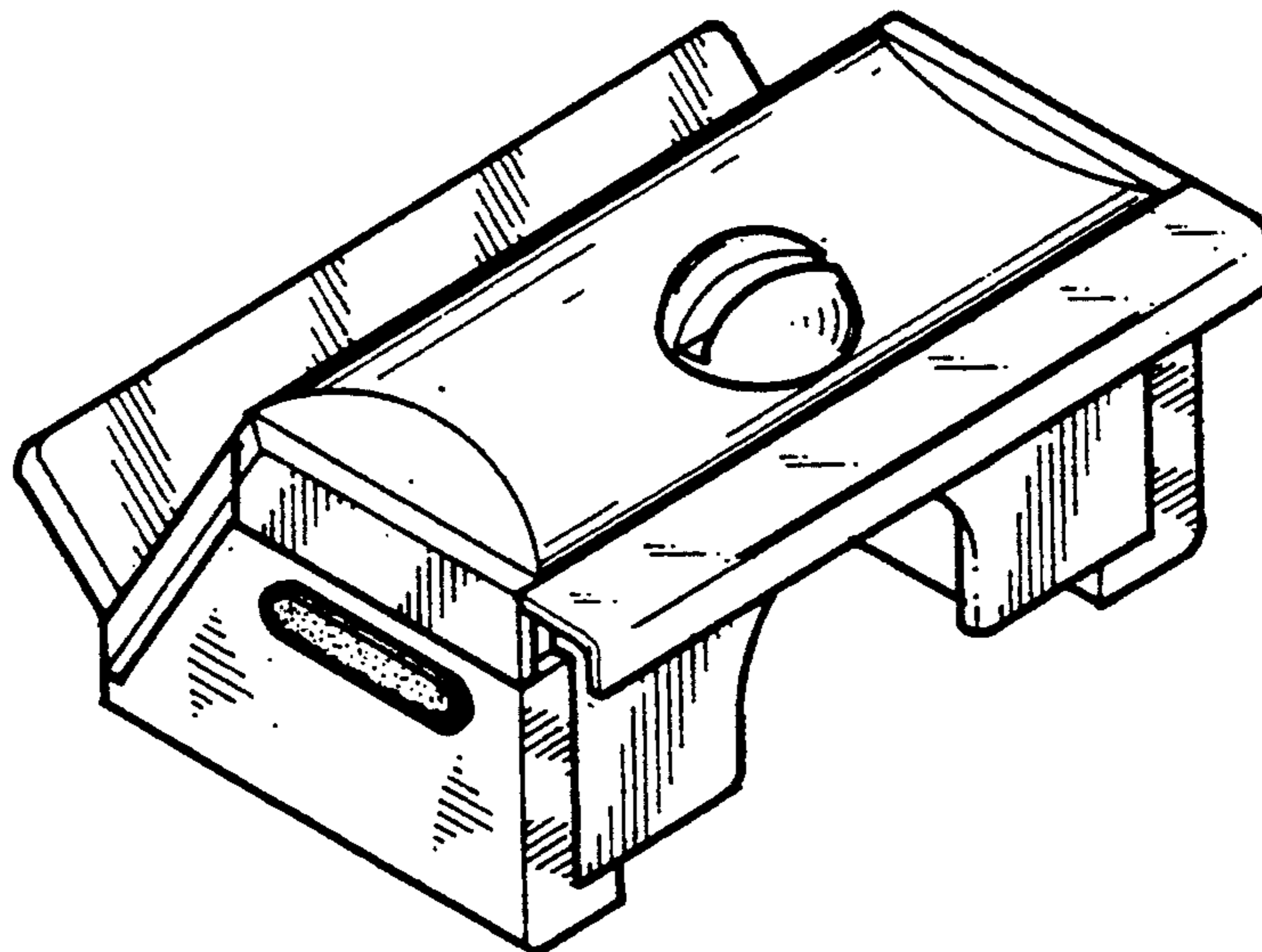
**DESCRIPTION**

[56] **References Cited**

**U.S. PATENT DOCUMENTS**

D. 310,020 8/1990 Fujioka ..... D8/396  
D. 337,503 7/1993 Sifers et al. .... D8/72  
D. 340,720 10/1993 Yoder ..... D8/396 X  
D. 342,005 12/1993 Forsberg ..... D8/72

FIG. 1 is a front, right, and top view of a clamp for fastening a trackball to a computer keyboard showing my new design;  
FIG. 2 is front elevational view thereof, the rear view being a mirror image;  
FIG. 3 is a top plan view thereof;  
FIG. 4 is a bottom plan view thereof;  
FIG. 5 is a right side elevational view thereof; and,  
FIG. 6 is a left side elevational view thereof.



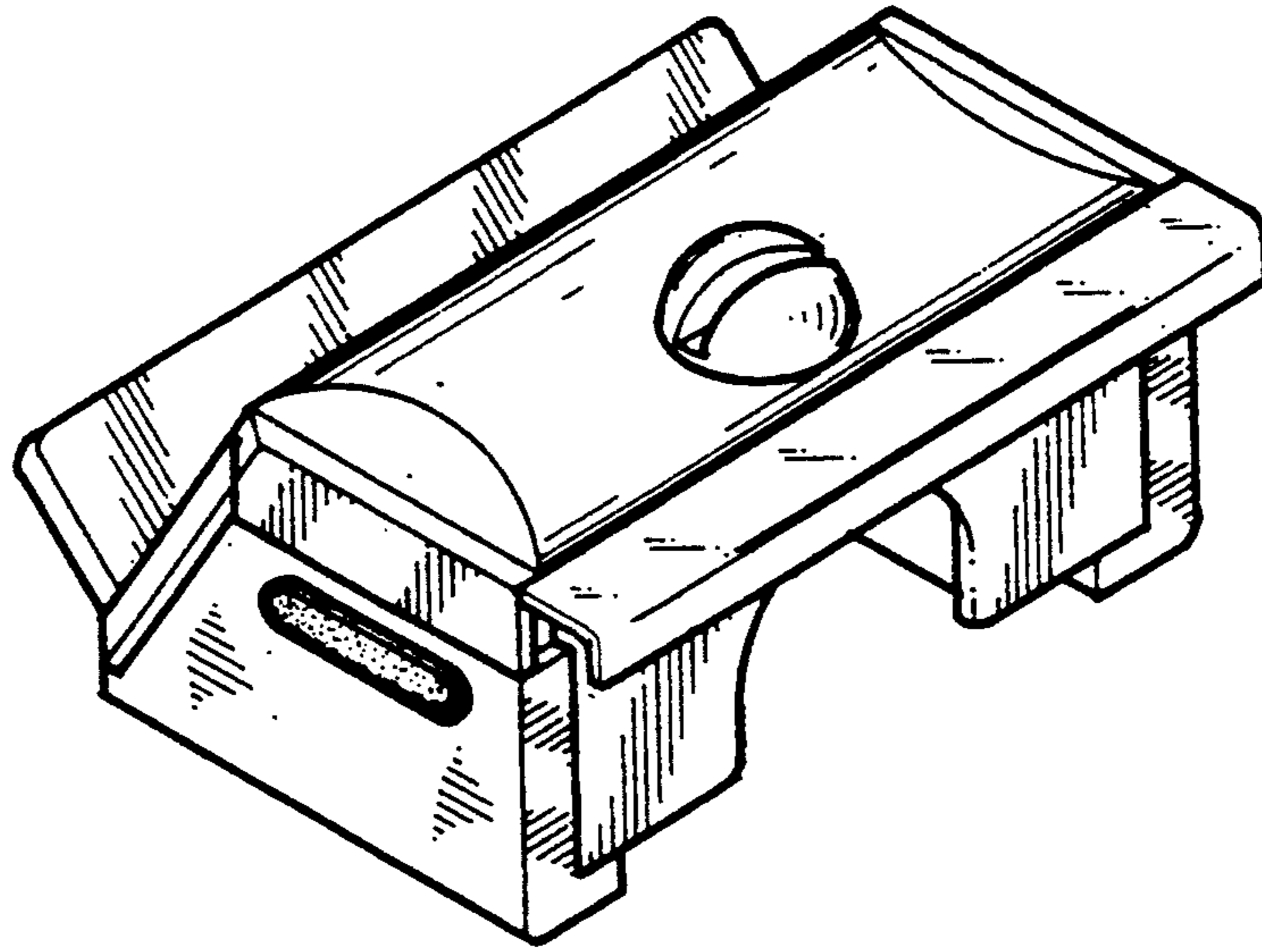


FIG 1

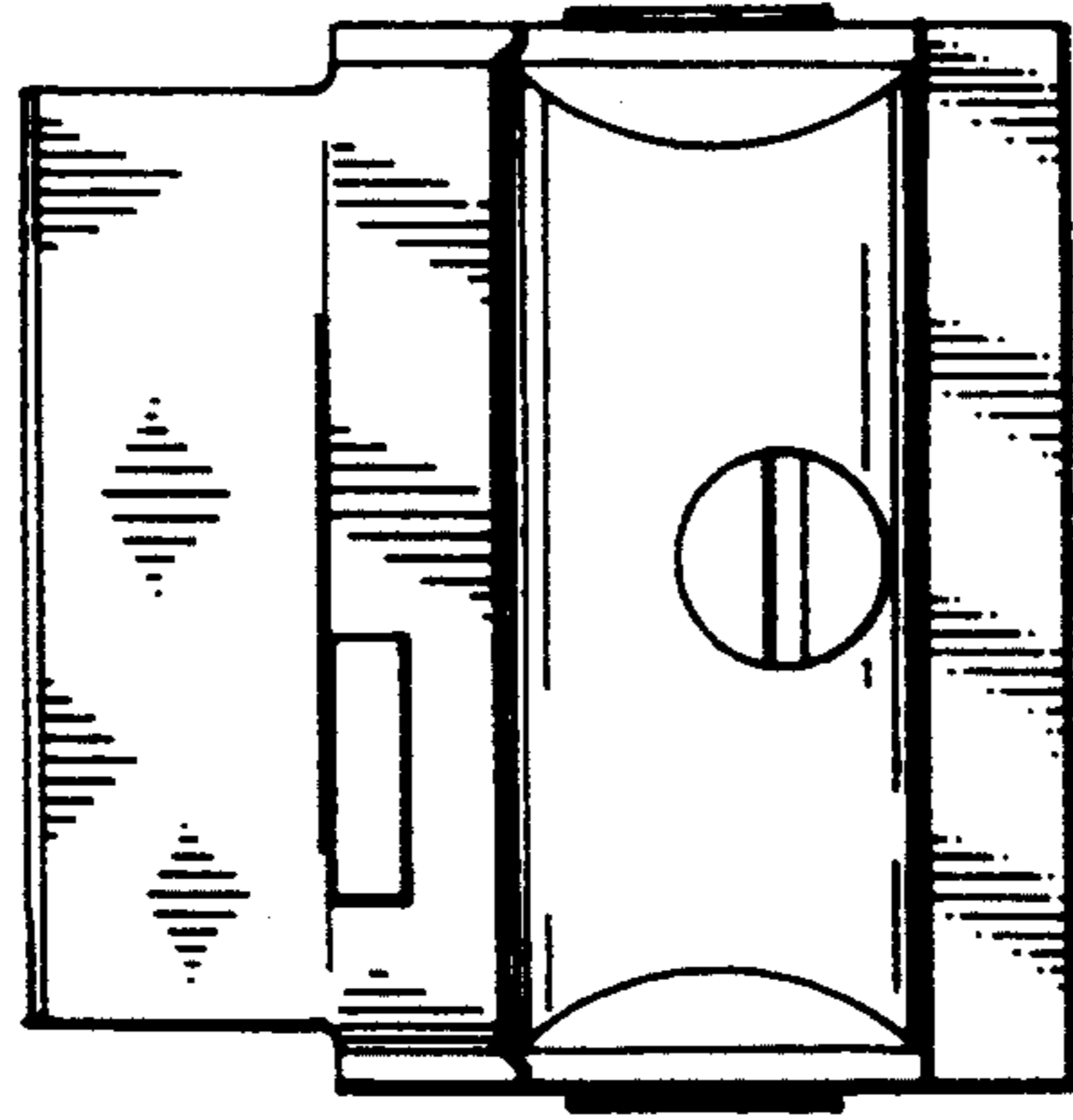


FIG. 3

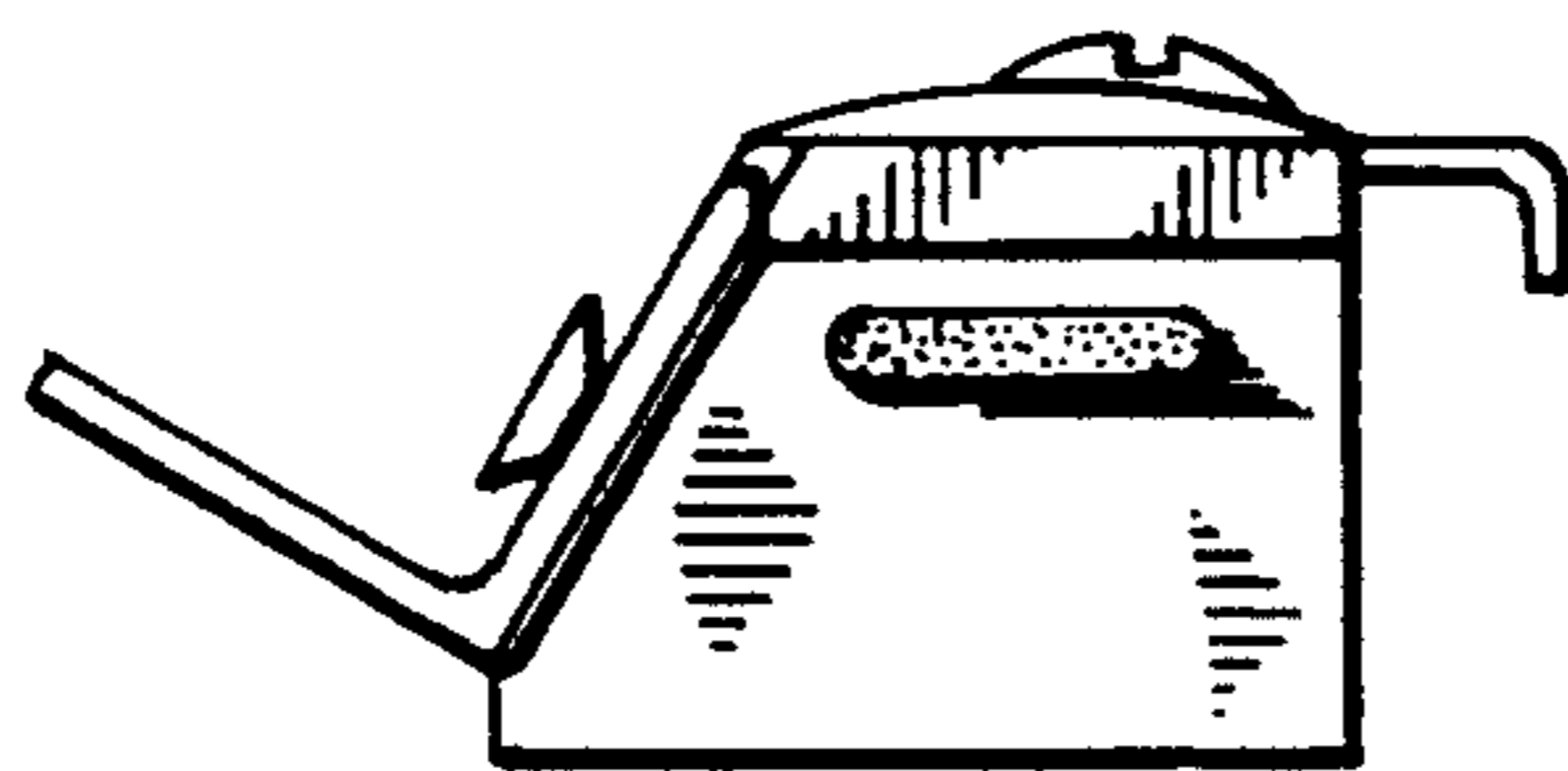


FIG. 2

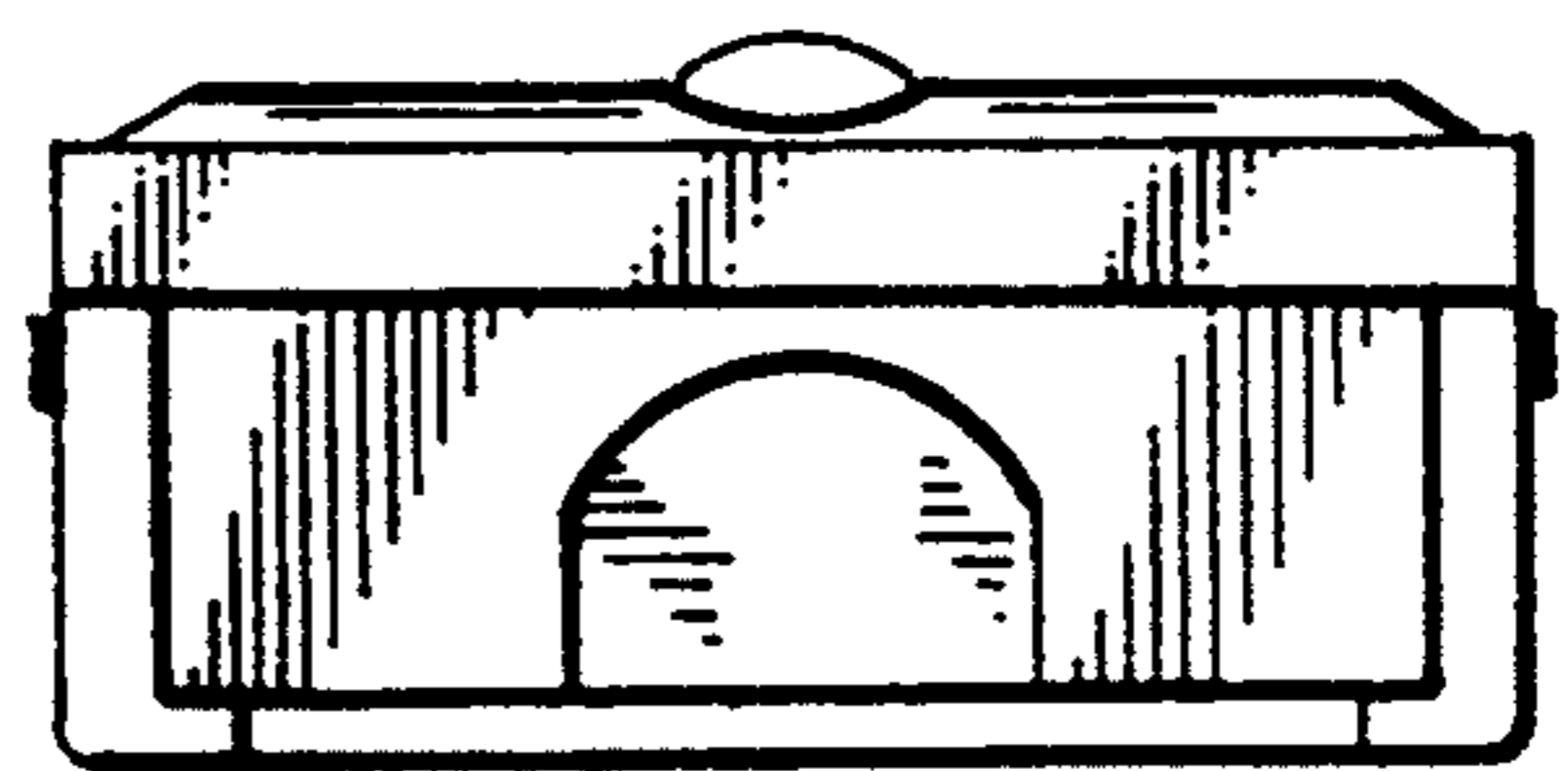


FIG. 5

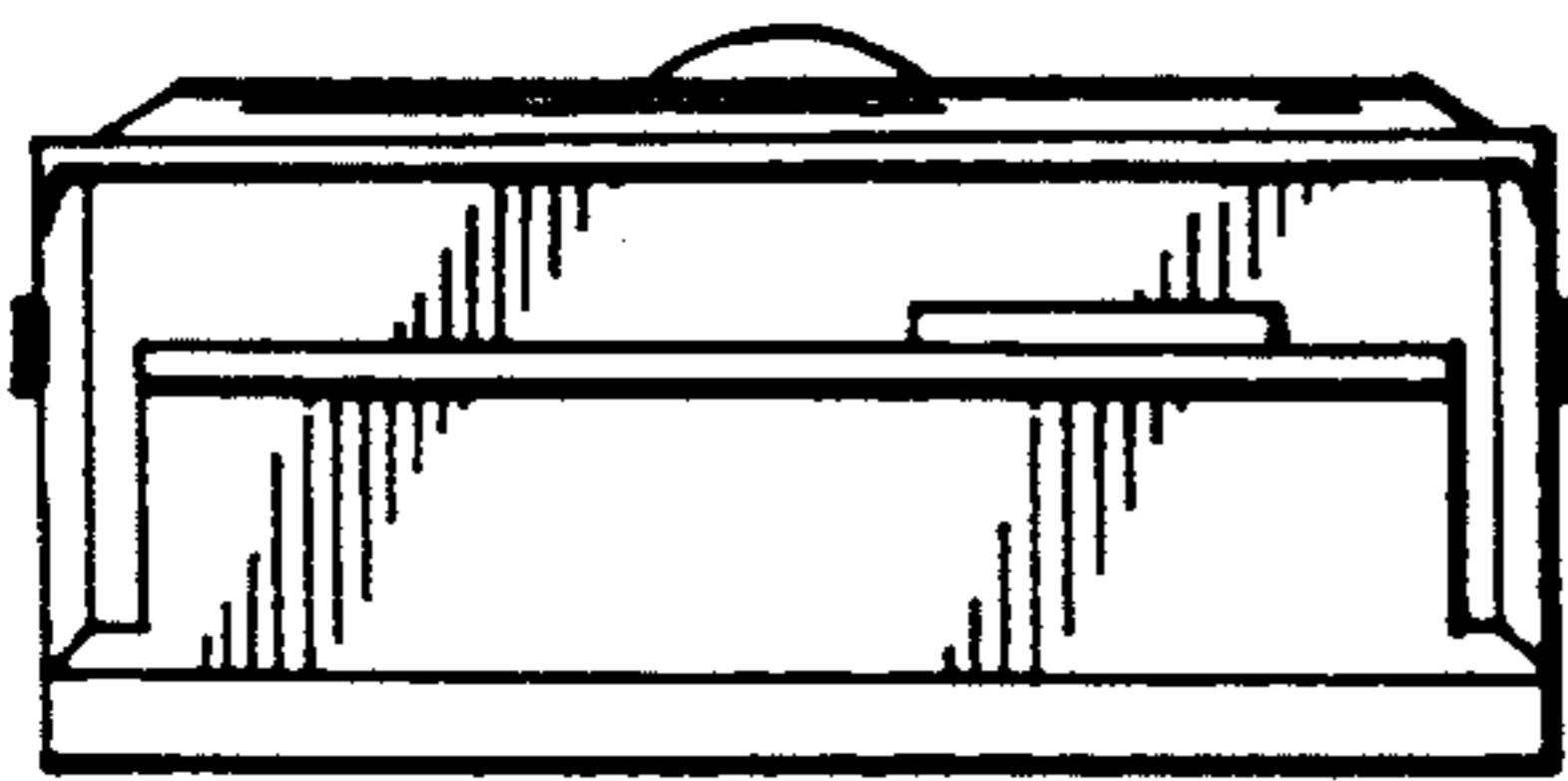


FIG. 6

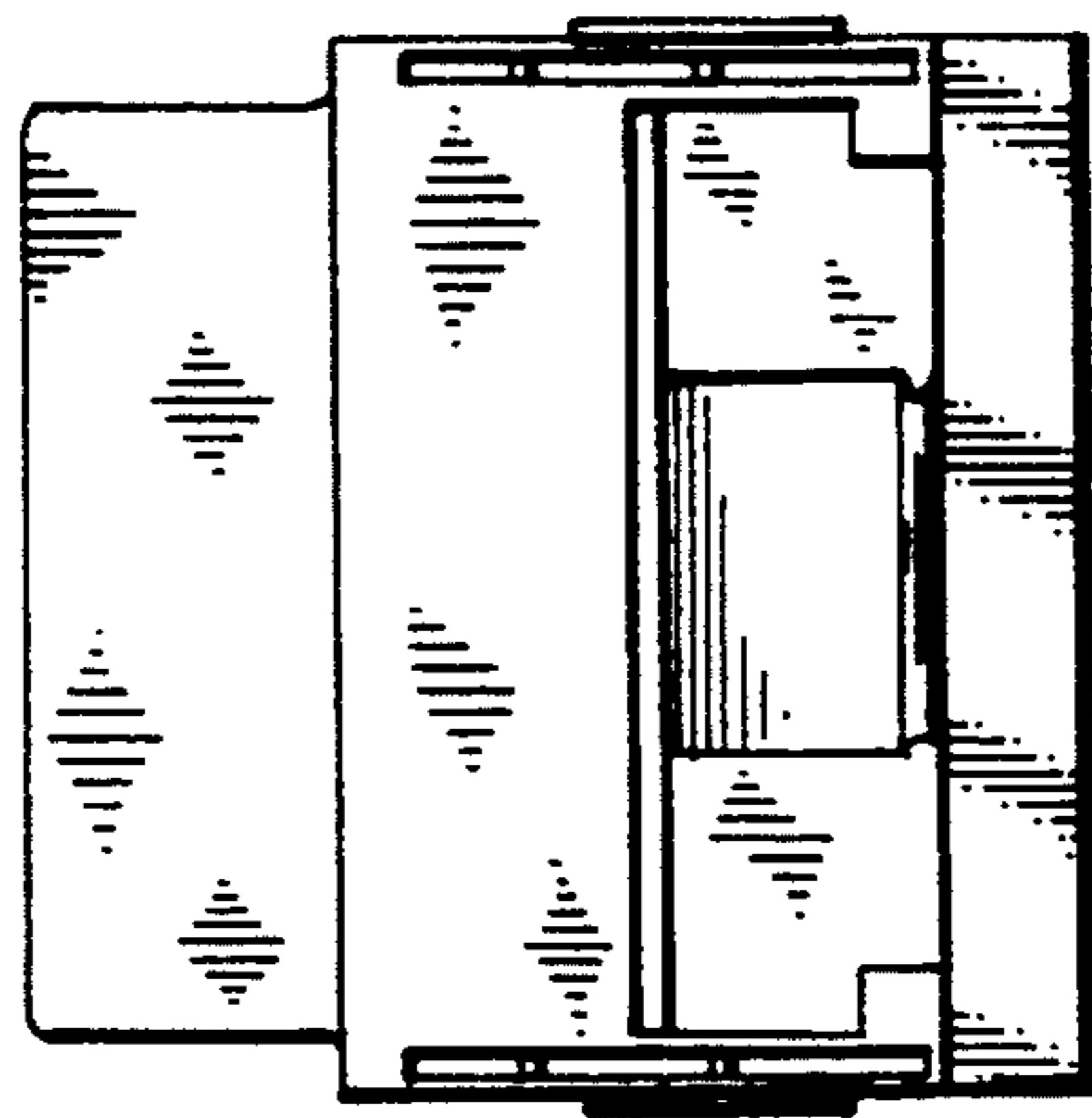


FIG. 4