



US00D349491S

# United States Patent [19]

[11] Patent Number: **Des. 349,491**

Copper et al.

[45] Date of Patent: **\*\* Aug. 9, 1994**

[54] **HANDHELD INPUT DEVICE FOR COMPUTERS**

D. 340,034 10/1993 Hofstetter et al. .... D14/116 X  
4,862,165 8/1989 Gart .

[75] Inventors: **John M. Copper; Alex Bally**, both of Pittsburgh, Pa.

*Primary Examiner*—Wallace R. Burke  
*Assistant Examiner*—M. H. Tung  
*Attorney, Agent, or Firm*—Gaca, Matis & Hamilton

[73] Assignee: **MicroMed Systems, Inc.**, Pittsburgh, Pa.

[57] **CLAIM**

[\*\*] Term: **14 Years**

The ornamental design for handheld input device computers, as shown and described.

[21] Appl. No.: **864,015**

**DESCRIPTION**

[22] Filed: **Apr. 6, 1992**

[52] U.S. Cl. .... **D14/114**

[58] **Field of Search** ..... 235/375, 378, 385, 454,  
235/462, 472, 486; 354/80-82; 382/58-69;  
250/203.1, 216, 566, 568; D14/100, 114, 116;  
D26/37, 45, 50

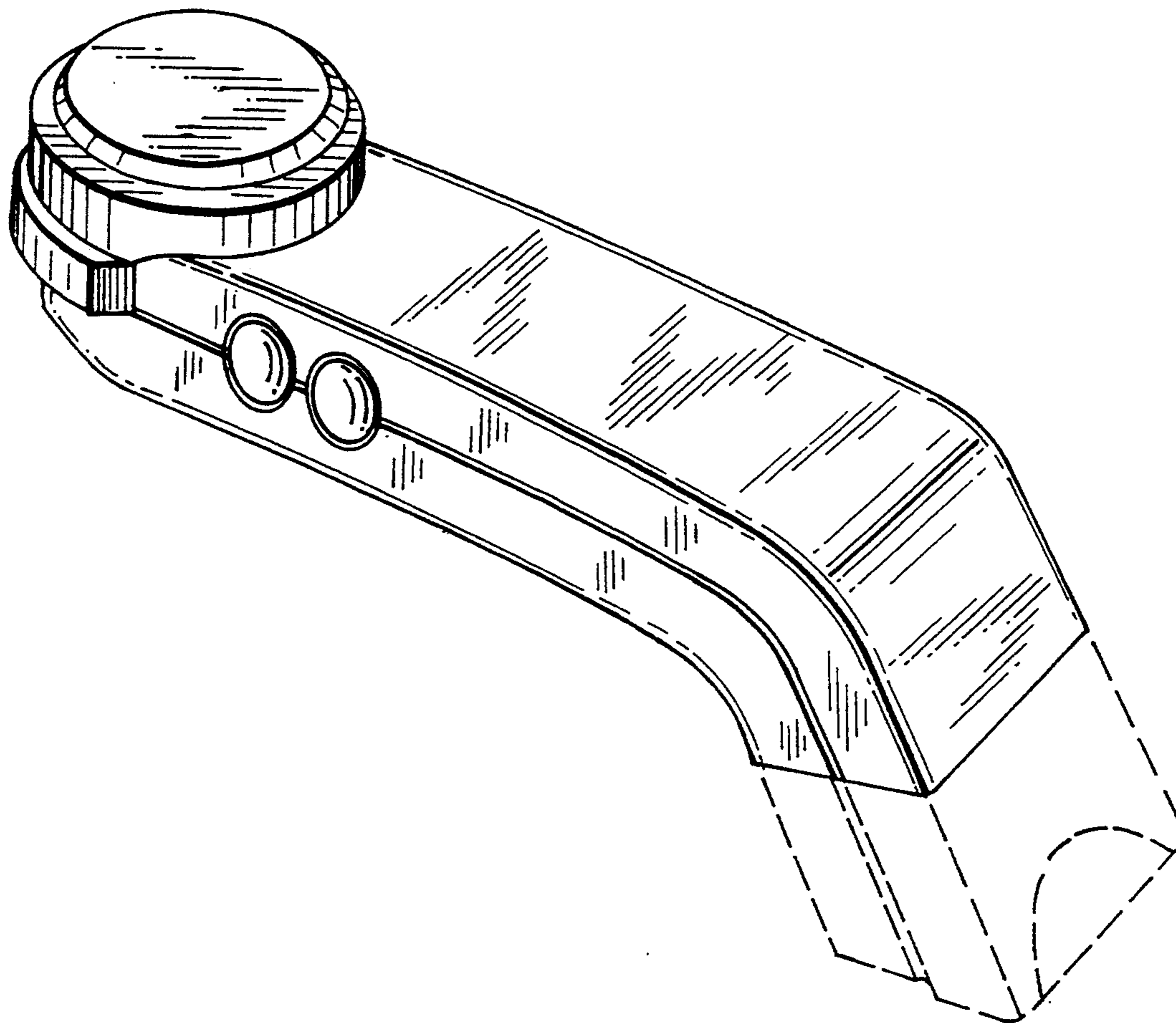
FIG. 1 is a perspective view of a handheld input device for computers incorporating the features of my design; FIG. 2 is a top plan view of the handheld input device for computers; FIG. 3 is a left side elevation view thereof, the right side being the mirror image; FIG. 4 is a bottom plan view of the handheld input device for computers; FIG. 5 is a front end view of the handheld input device for computers laying on its left side; and, FIG. 6 is a rear end view of the handheld apparatus for computers laying on its left side.

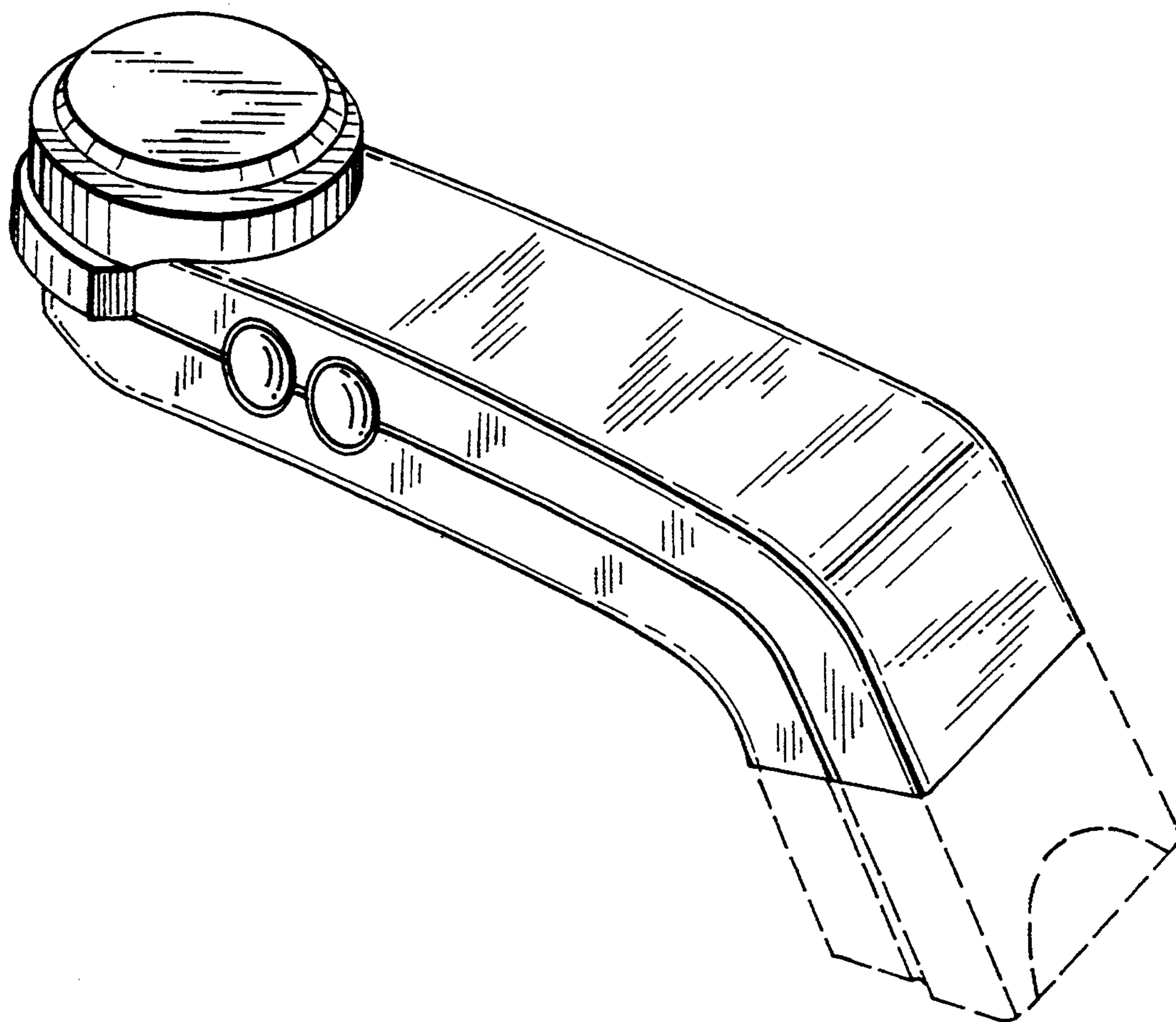
[56] **References Cited**

**U.S. PATENT DOCUMENTS**

- D. 281,164 10/1985 Kim ..... D14/114
- D. 281,776 12/1985 Griffin .
- D. 288,337 2/1987 Sloan ..... D14/116 X
- D. 319,436 8/1991 Matsushita ..... D14/116
- D. 321,180 10/1991 Conversano et al. .... D14/116
- D. 338,001 8/1993 Falkner et al. .... D14/116

The broken line drawing of the bottom portion of the input device is for illustrative purposes only and forms no part of the claimed design.





*FIG. 1*

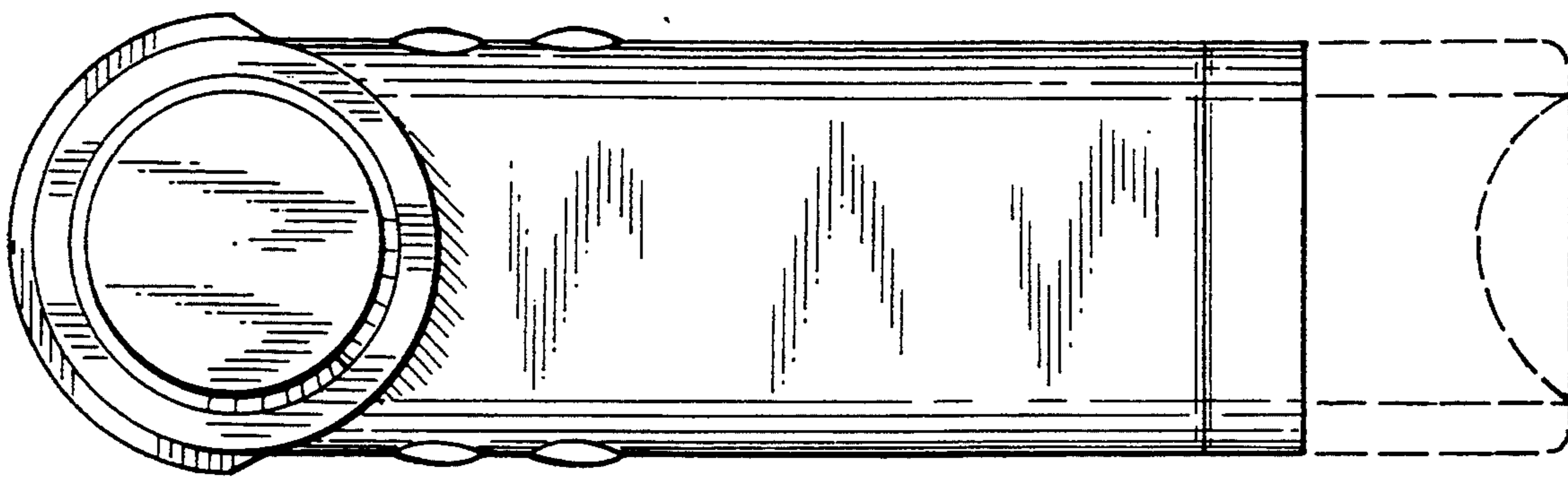


FIG. 2

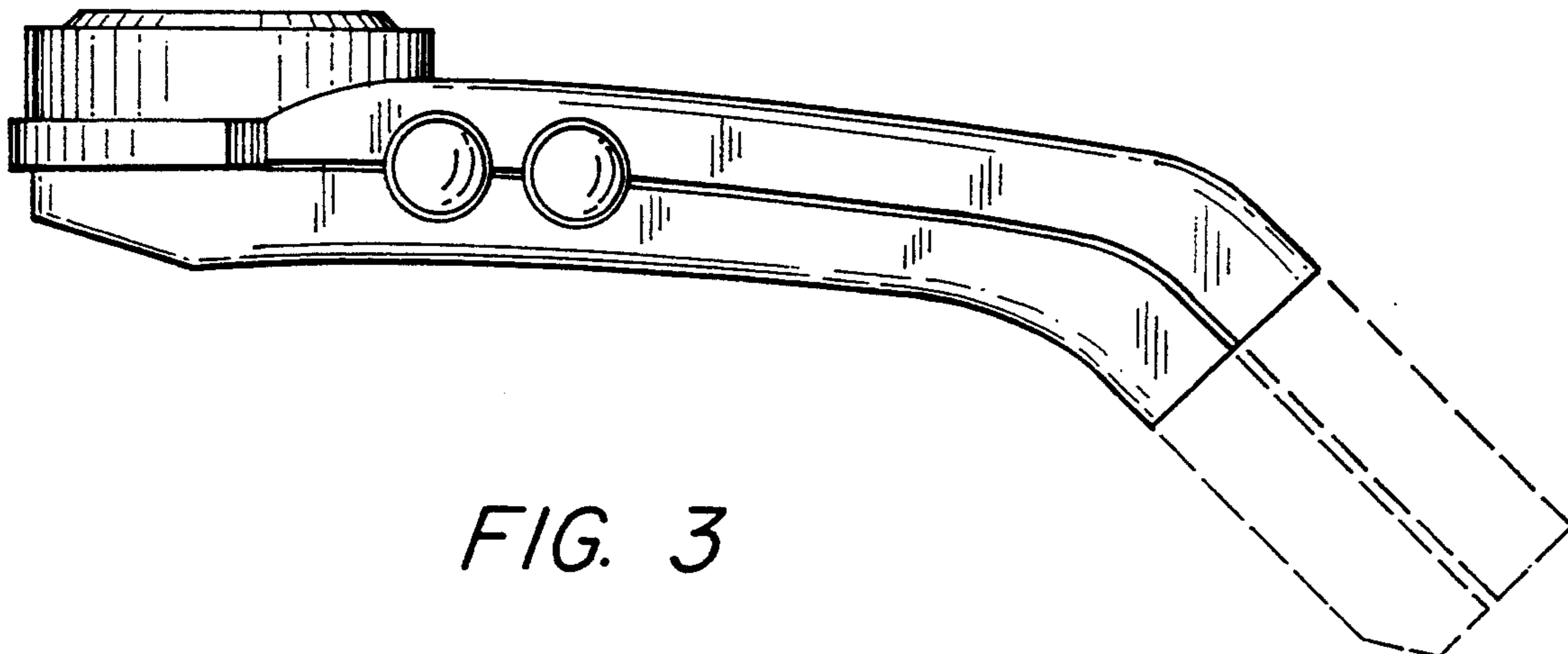


FIG. 3

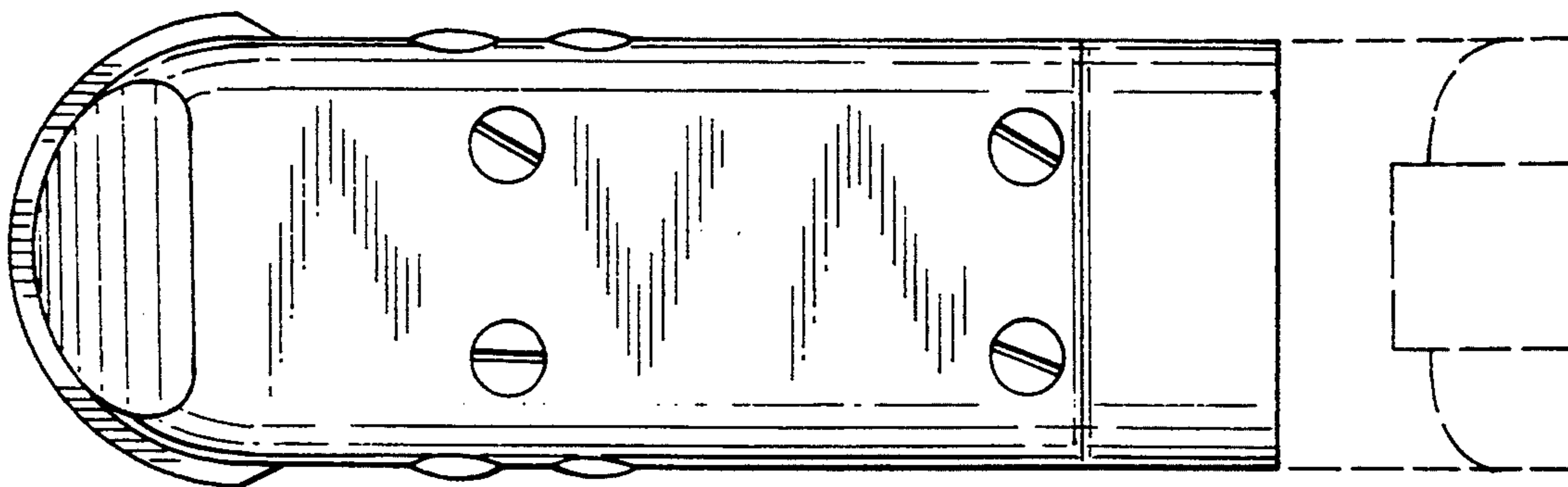


FIG. 4

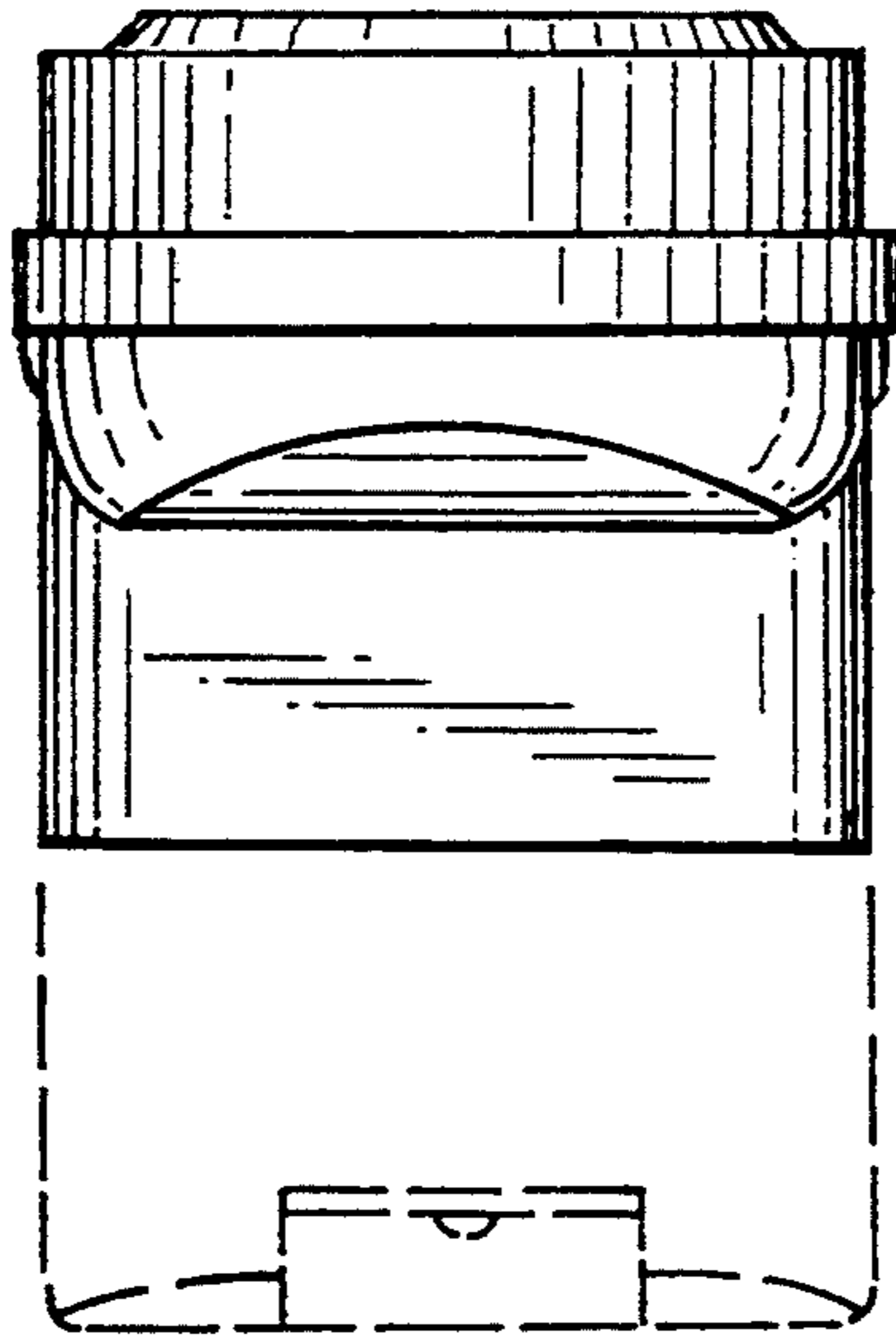


FIG. 5

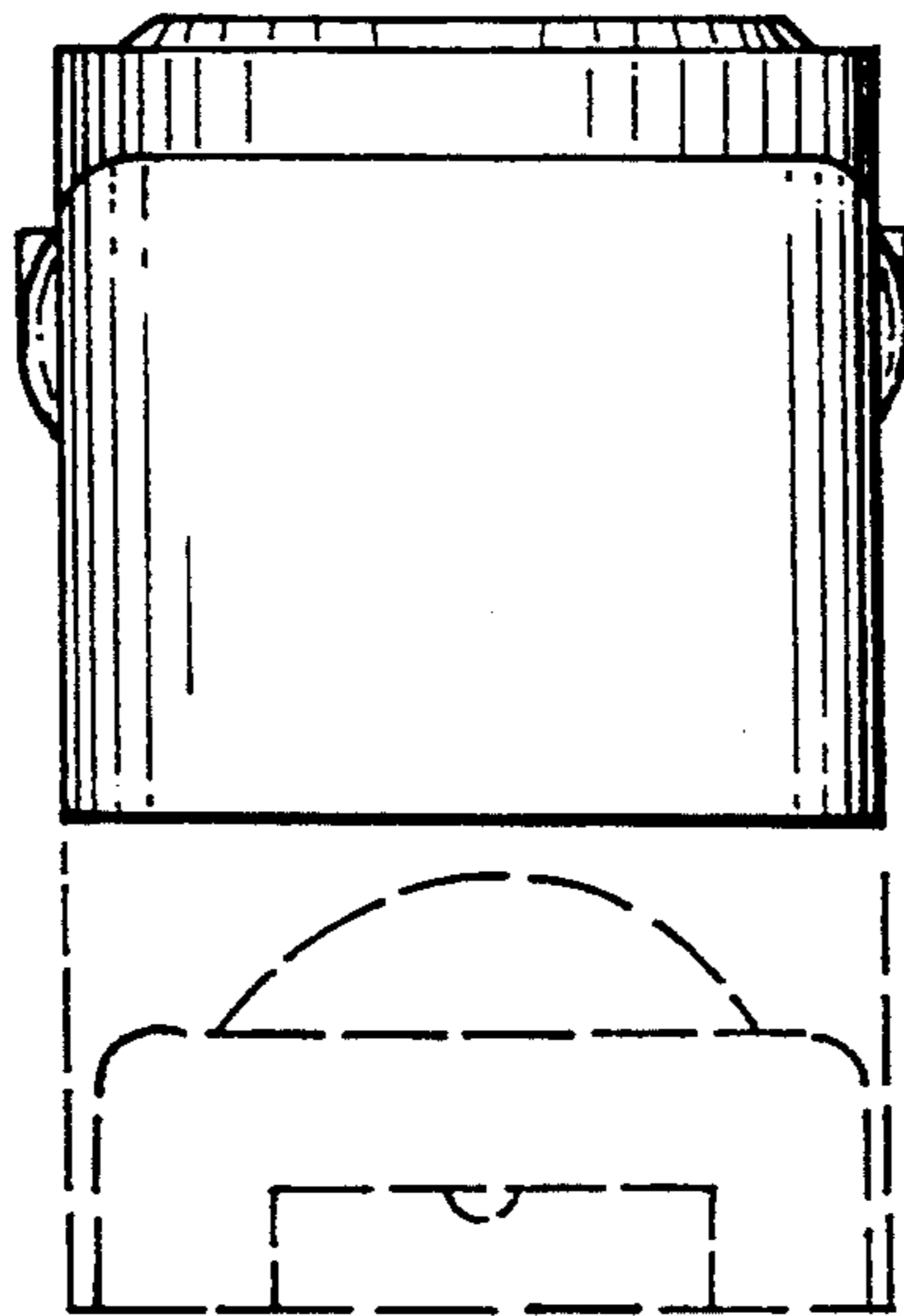


FIG. 6