



US00D349489S

United States Patent [19]

Wang

[11] Patent Number: **Des. 349,489**

[45] Date of Patent: **** Aug. 9, 1994**

[54] LCD MONITOR

[76] Inventor: **Jing Y. Wang**, 3F, No. 22, Industry East Road, 9, Hsinchu Science Park, Hsinchu, Taiwan

[**] Term: **14 Years**

[21] Appl. No.: **5,689**

[22] Filed: **Mar. 9, 1993**

[52] U.S. Cl. **D14/113**

[58] Field of Search 248/917-924;
345/156, 173, 905; 358/249, 254, 255; D14/100,
101, 113, 124-127

D. 344,933 3/1994 Wiseman et al. D14/113
5,255,214 10/1993 Ma D14/106

Primary Examiner—Wallace R. Burke
Assistant Examiner—Freda S. Nunn
Attorney, Agent, or Firm—Morton J. Rosenberg; David I. Klein

[57] CLAIM

The ornamental design for an LCD monitor, as shown and described.

DESCRIPTION

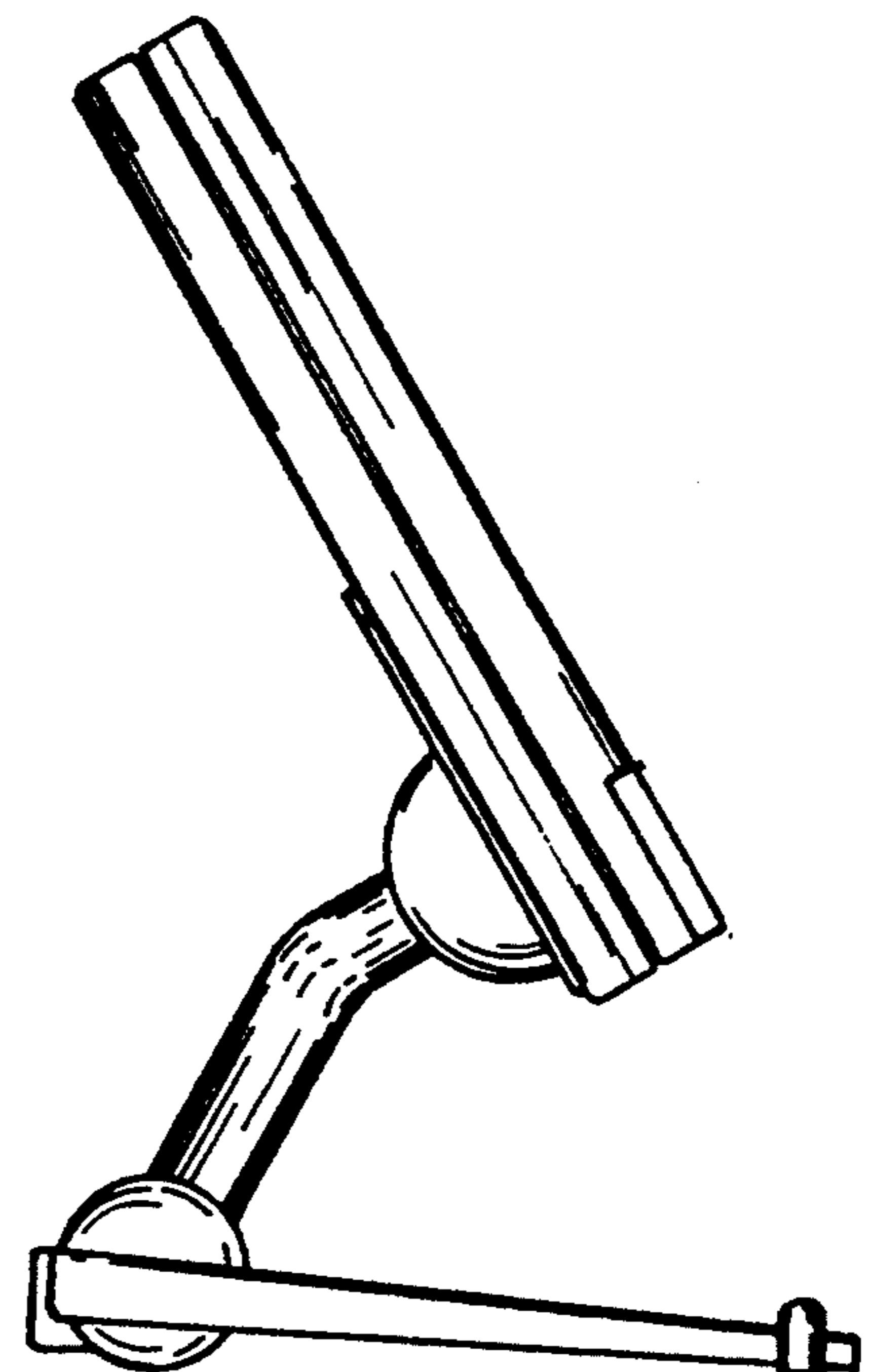
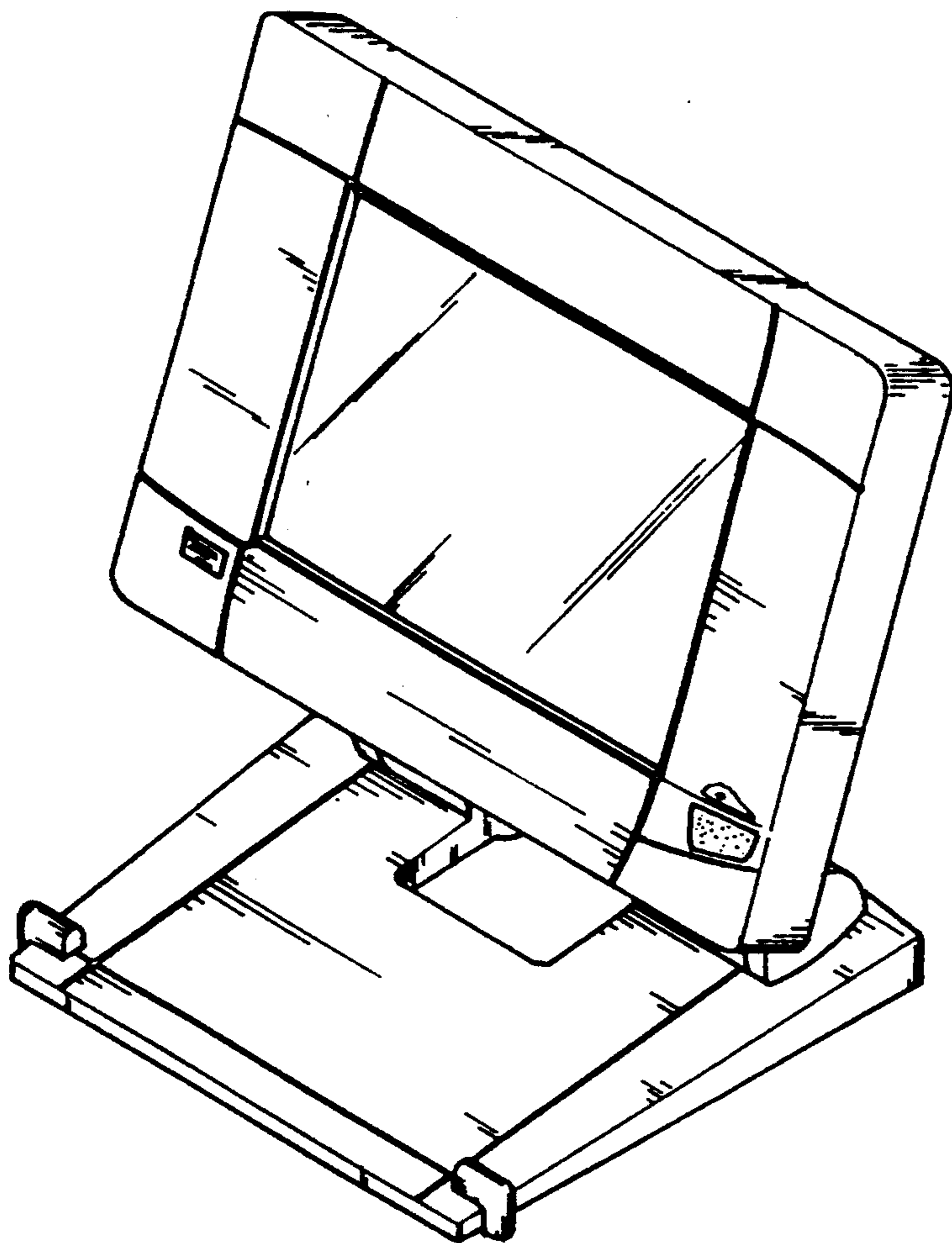
FIG. 1 is a front perspective view of an LCD monitor showing my new design;
FIG. 2 is a front elevational view thereof;
FIG. 3 is a rear elevational view thereof;
FIG. 4 is a right side elevational view thereof;
FIG. 5 is a left side elevational view thereof;
FIG. 6 is a top plan view thereof; and,
FIG. 7 is a bottom plan view thereof.

[56]

References Cited

U.S. PATENT DOCUMENTS

- D. 294,262 2/1988 Thies et al. D14/113
- D. 303,661 9/1989 Manabe et al. D14/113
- D. 337,104 7/1993 Orchard D14/113
- D. 339,796 9/1993 Goodner et al. D14/113



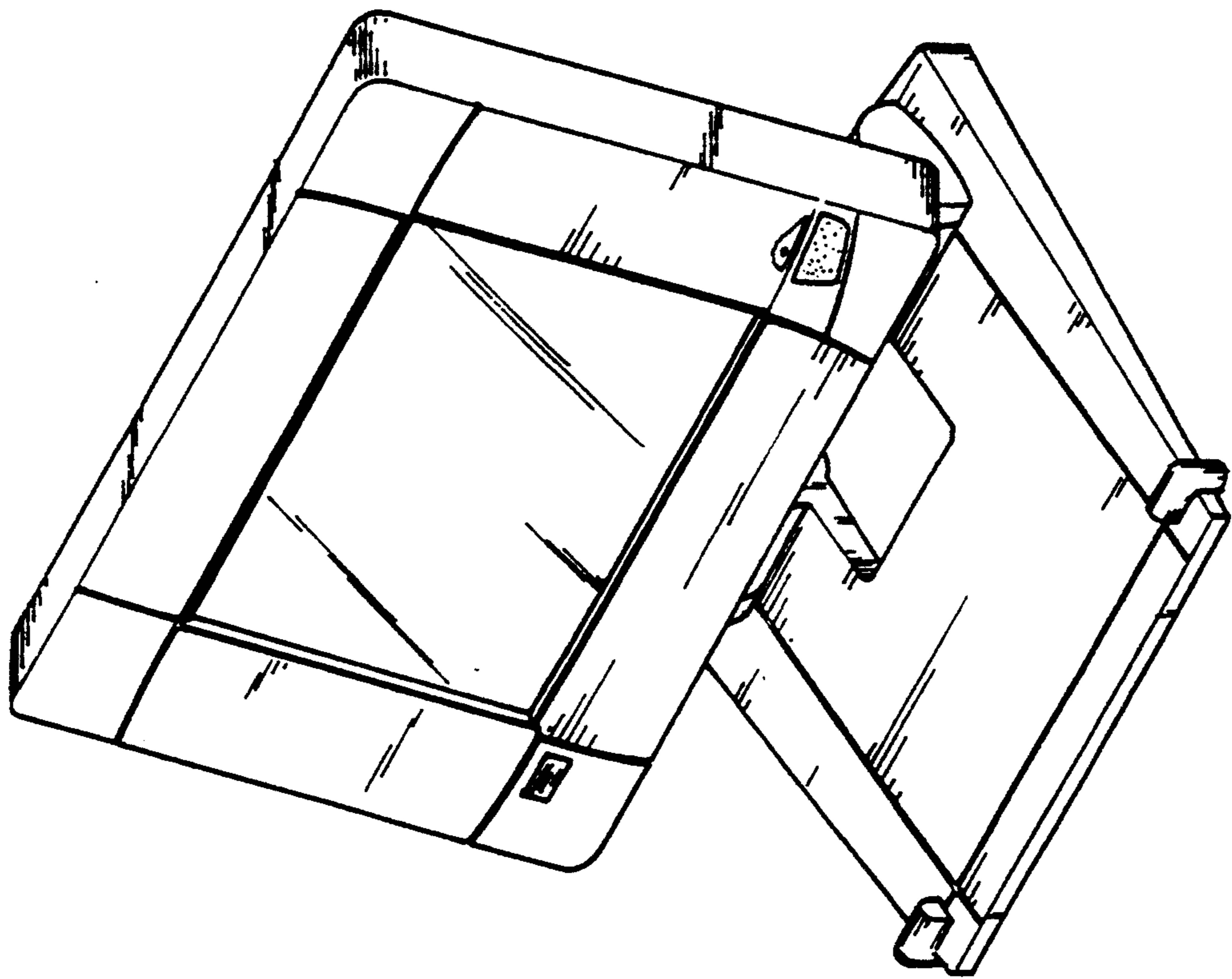


FIG. 1

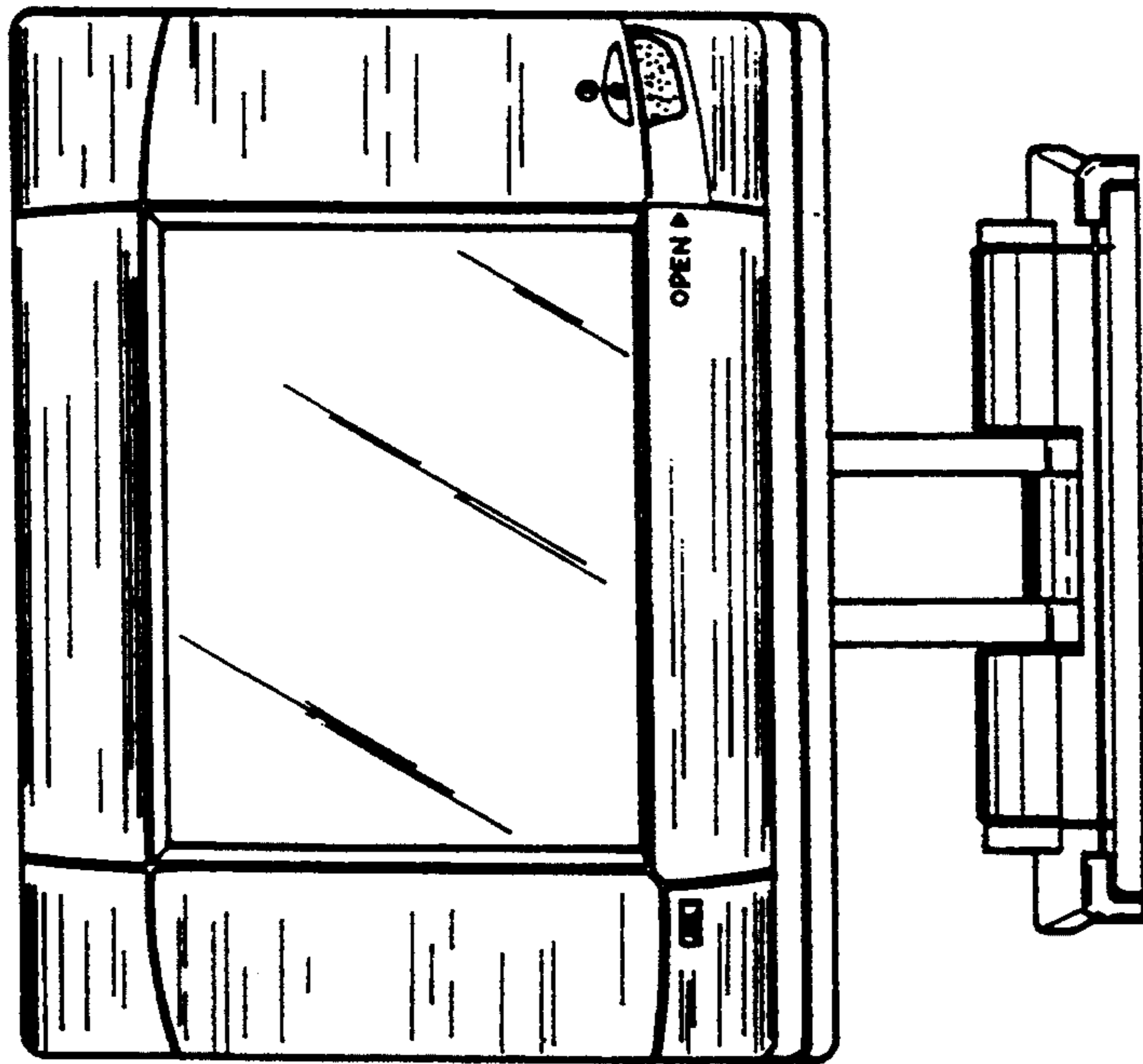


FIG. 2

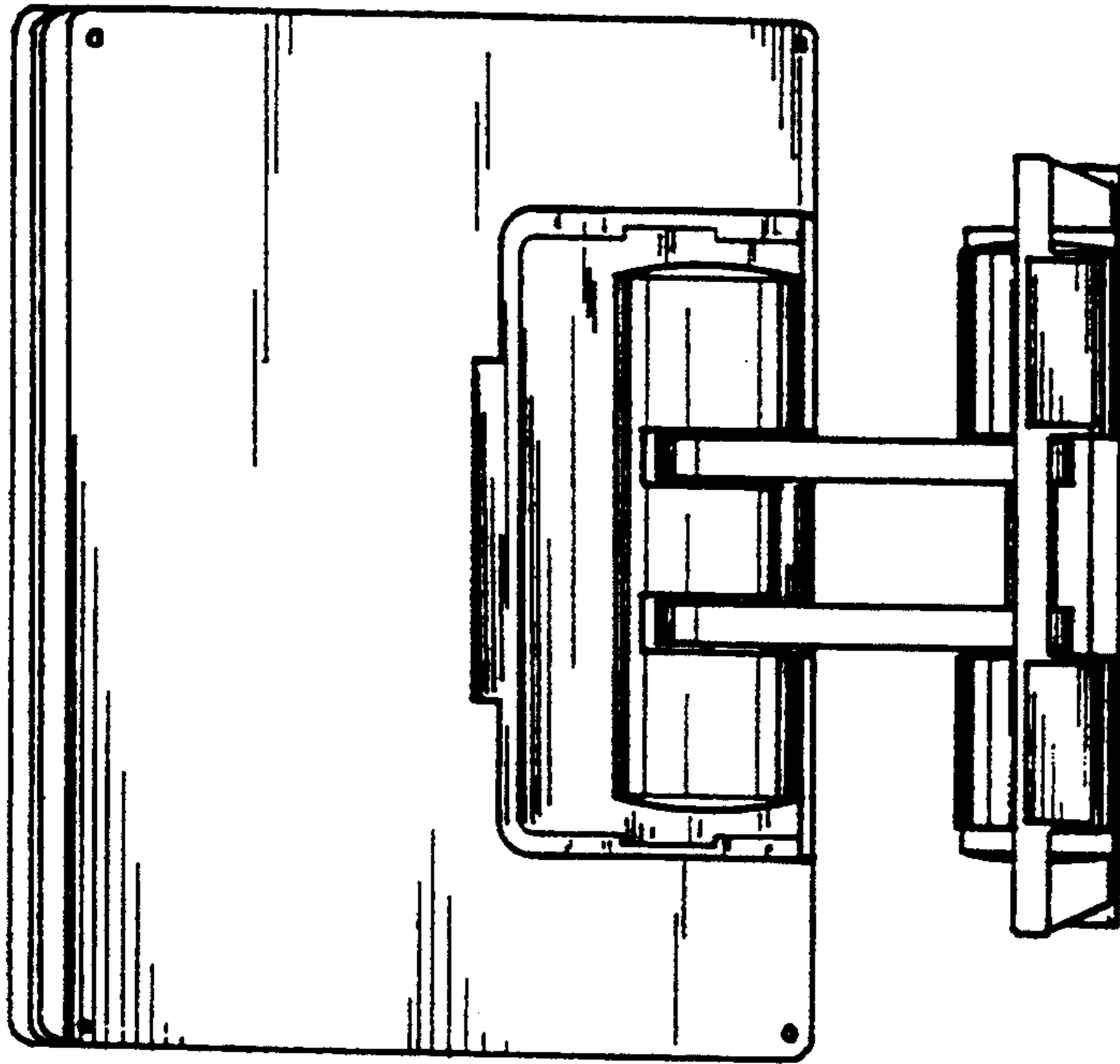


FIG. 3

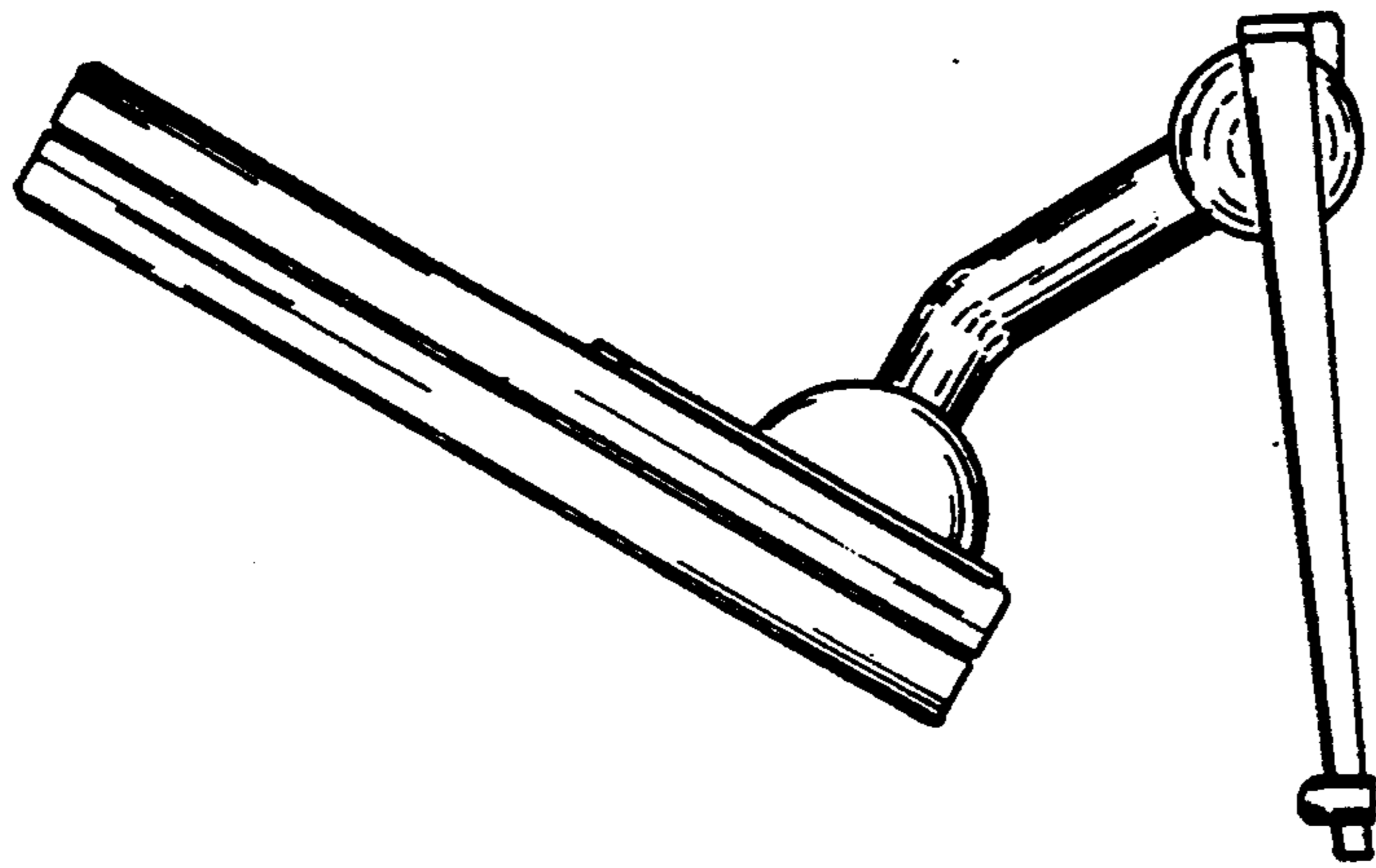


FIG. 4

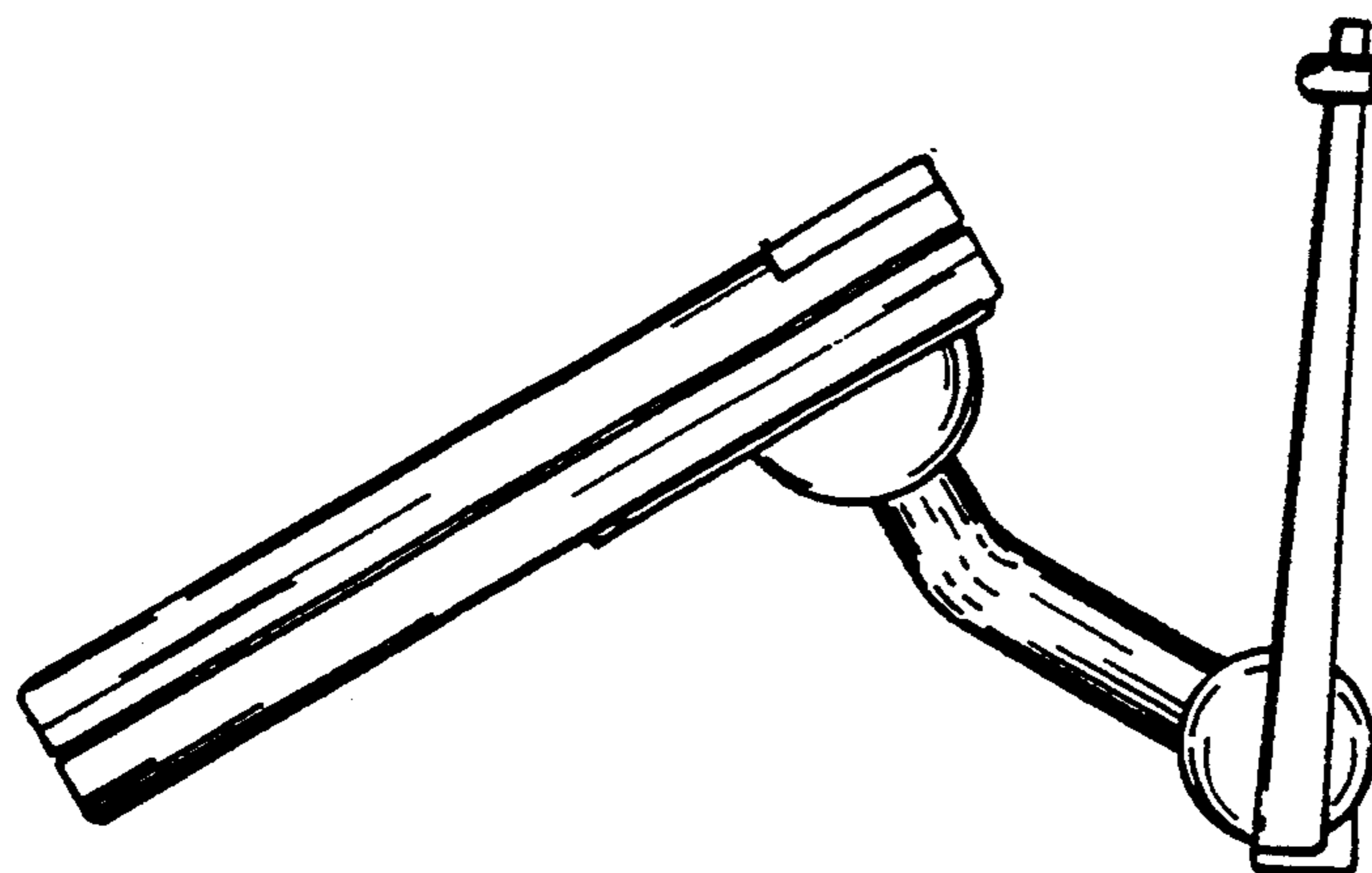


FIG. 5

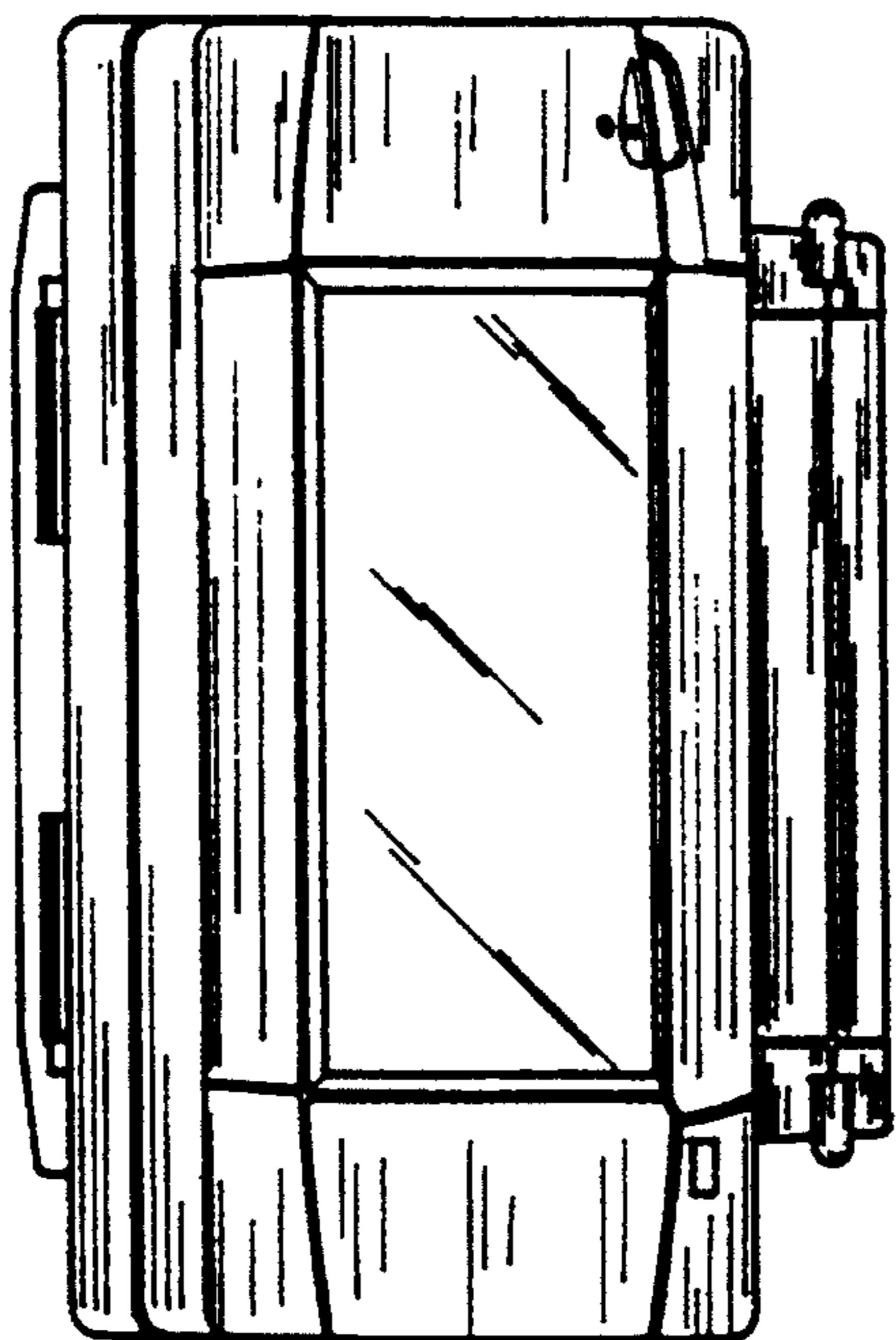


FIG. 6

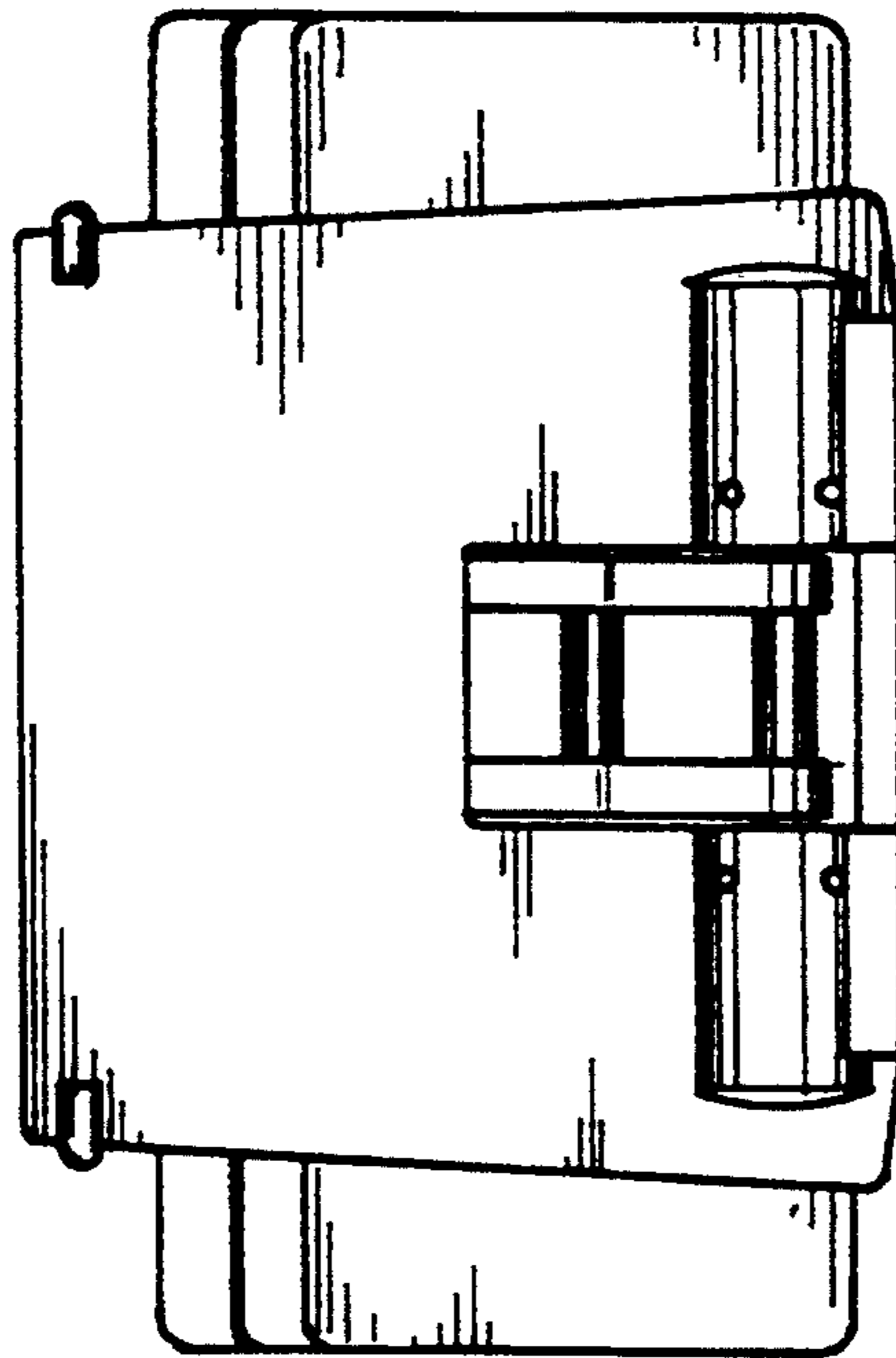


FIG. 7